



US00D722394S

(12) **United States Design Patent**
Fannan

(10) **Patent No.:** **US D722,394 S**

(45) **Date of Patent:** **** *Feb. 10, 2015**

(54) **WINDOW COMPONENT EXTRUSION**

(56) **References Cited**

(75) Inventor: **Michael R. Fannan**, Pecatonica, IL (US)

U.S. PATENT DOCUMENTS

(73) Assignee: **Mikron Industries, Inc.**, Kent, WA (US)

4,856,230 A * 8/1989 Slocomb 49/504
6,334,283 B1 * 1/2002 Edger 52/204.1
D594,136 S * 6/2009 Campbell et al. D25/124

(*) Notice: This patent is subject to a terminal disclaimer.

* cited by examiner

(**) Term: **14 Years**

Primary Examiner — Doris Clark

(21) Appl. No.: **29/395,003**

(74) *Attorney, Agent, or Firm* — Zollinger & Burleson Ltd.

(22) Filed: **Nov. 4, 2011**

(57) **CLAIM**

The ornamental design for a window component extrusion, as shown and described.

Related U.S. Application Data

DESCRIPTION

(63) Continuation of application No. 29/349,771, filed on Apr. 30, 2010, now abandoned.

(51) **LOC (10) Cl.** **25-01**

(52) **U.S. Cl.**

USPC **D25/124**

(58) **Field of Classification Search**

USPC D25/119, 124, 125; 52/204.1, 204.2, 52/204.5, 204.51, 656.5, 656.6, 213, 215, 52/208, 206, 212, 717.01, 209, 204.72, 52/579, 793.1, 794.1, 216; 49/DIG. 2, 504, 49/501, 449, 180, 183; 160/91

See application file for complete search history.

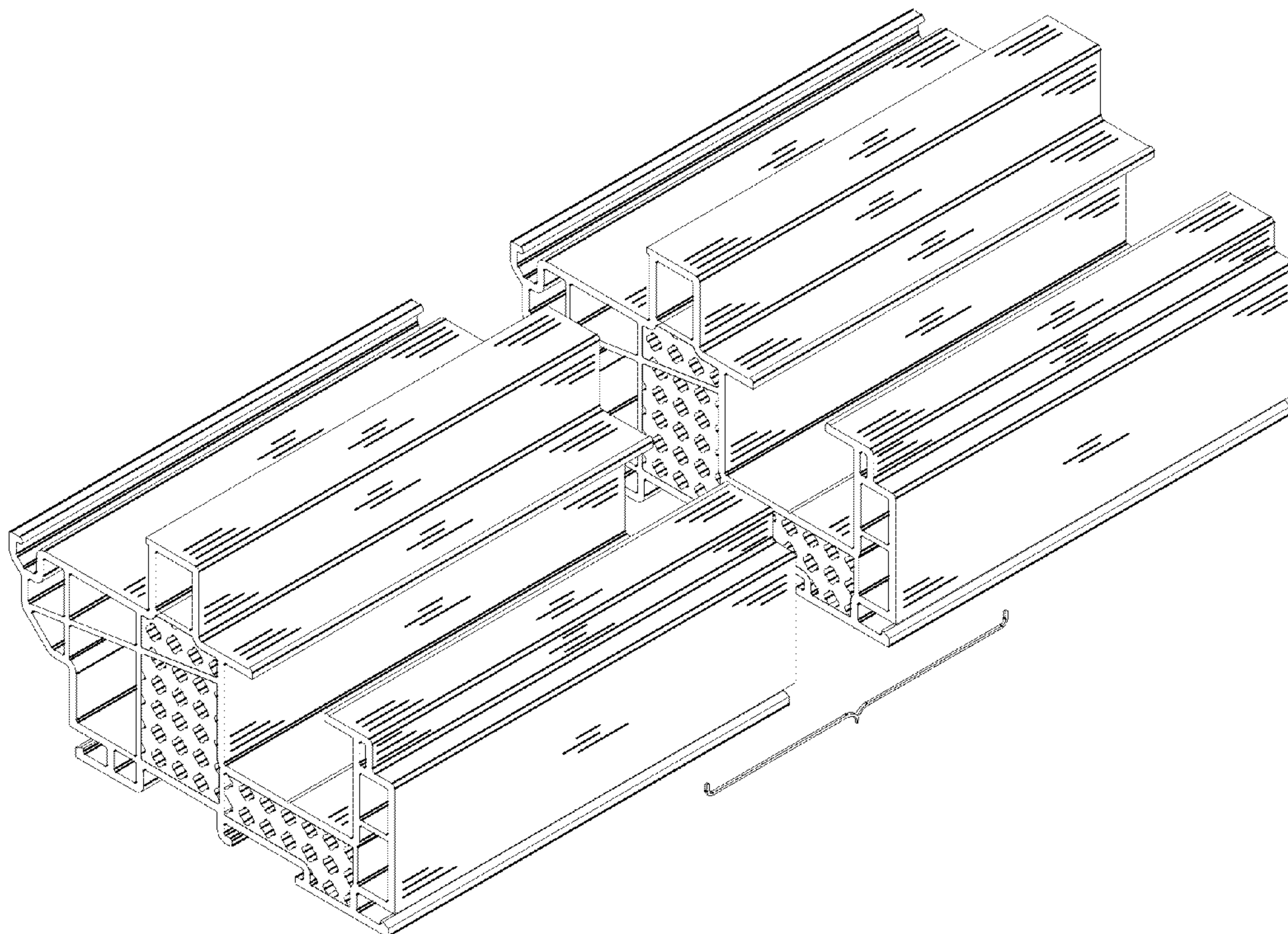
FIG. 1 is a top right perspective view of a first embodiment of the window component extrusion which is broken in the center indicating indefinite length,

FIG. 2 is a bottom left perspective view of the window component extrusion shown in FIG. 1,

FIG. 3 is a top right perspective view of a second embodiment of the window component extrusion which is broken in the center indicating indefinite length; and,

FIG. 4 is a bottom left perspective view of the window component extrusion shown in FIG. 3.

1 Claim, 2 Drawing Sheets



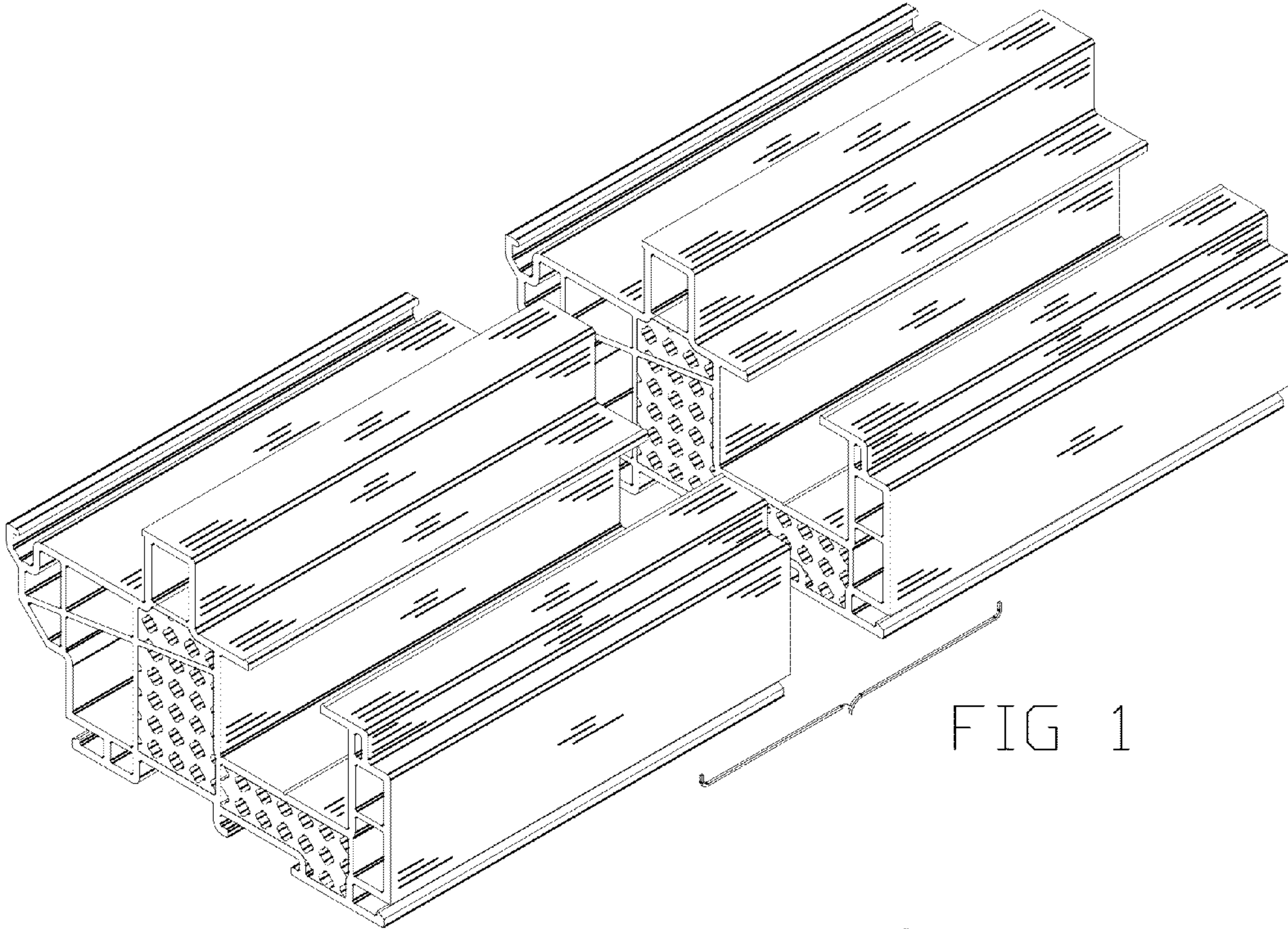


FIG 1

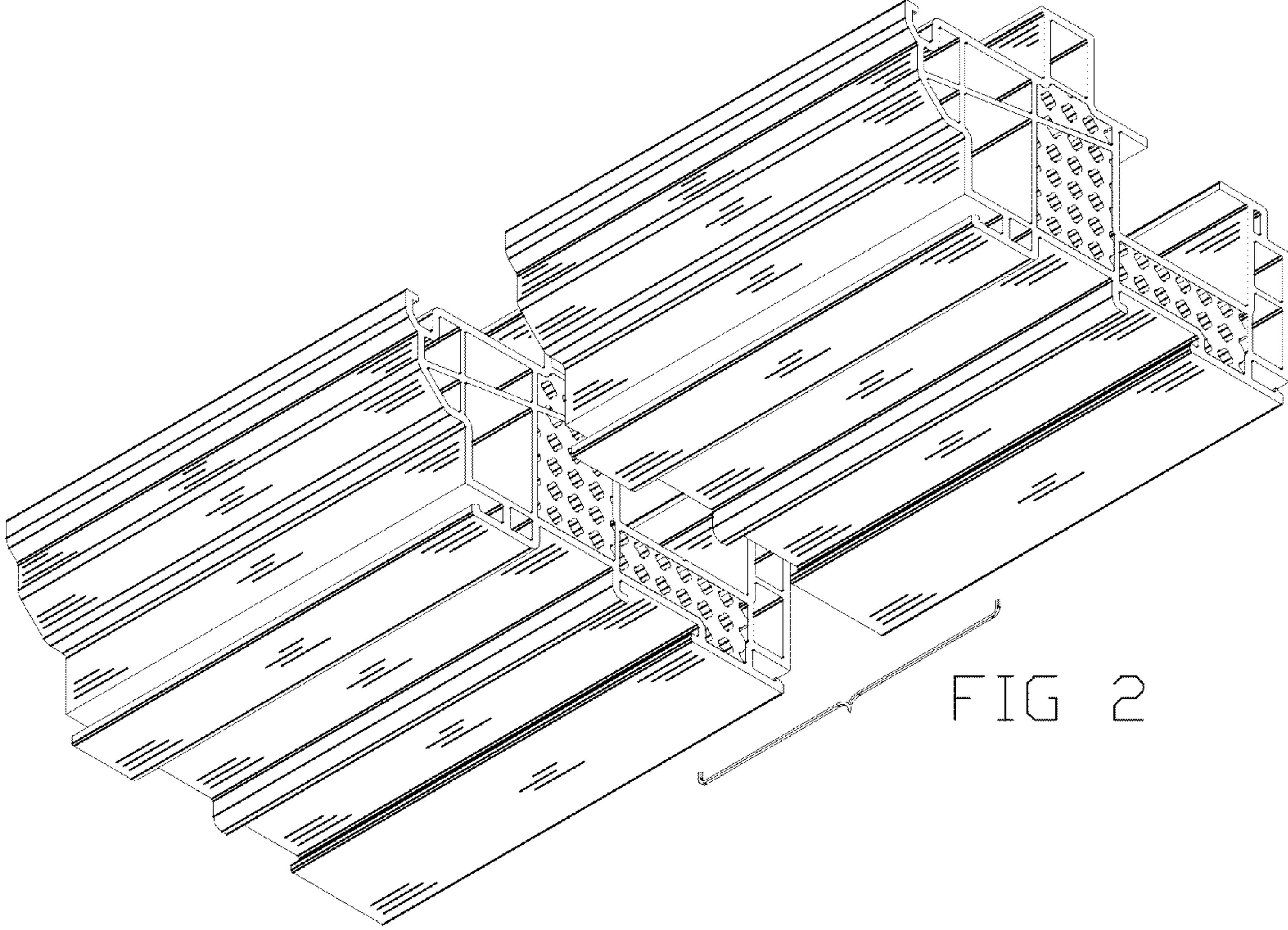


FIG 2

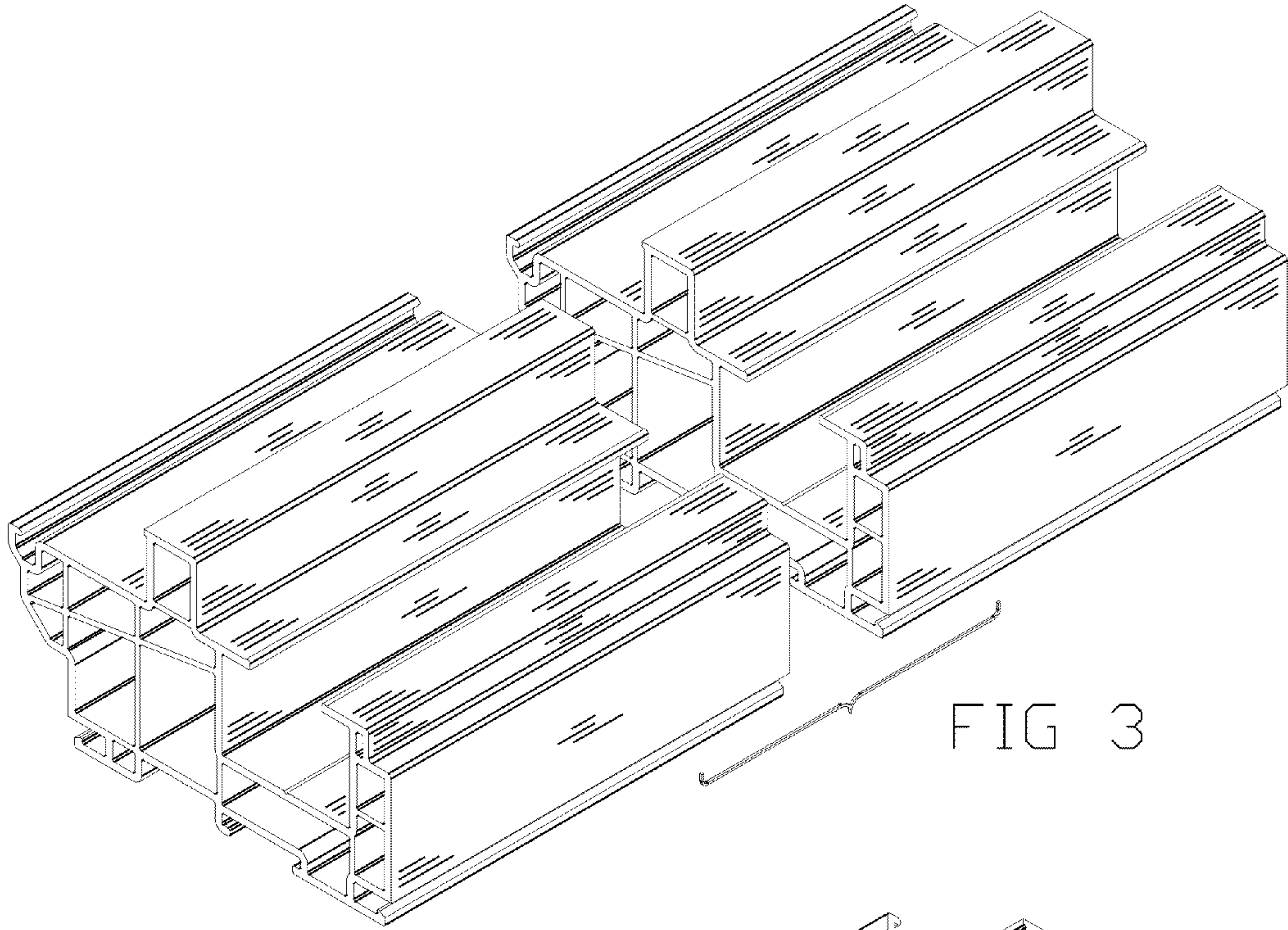


FIG 3

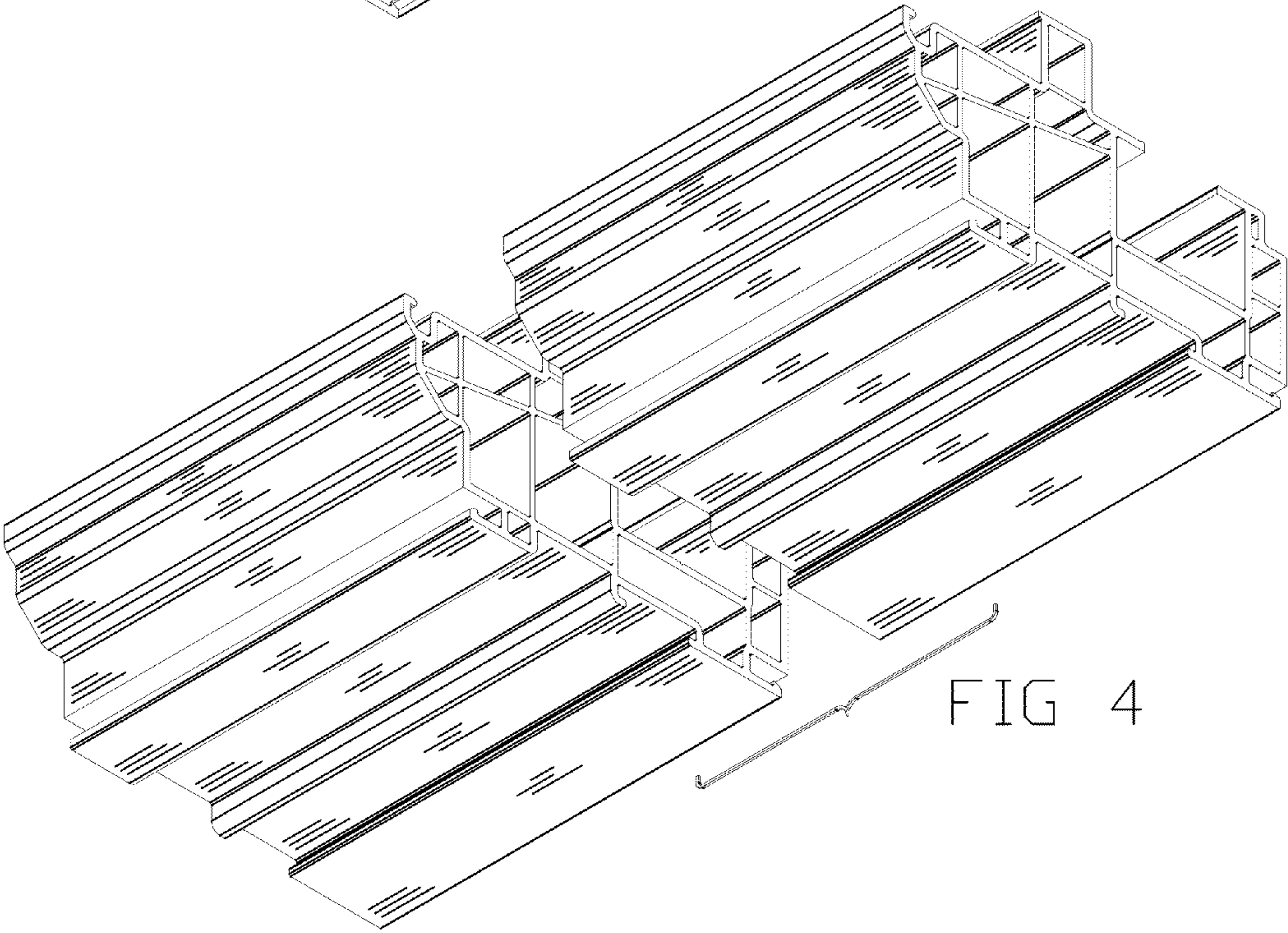


FIG 4