



US00D722393S

(12) **United States Design Patent**
Fannan

(10) **Patent No.:** **US D722,393 S**
(45) **Date of Patent:** **** Feb. 10, 2015**

(54) **WINDOW COMPONENT EXTRUSION**

(75) Inventor: **Michael R. Fannan**, Pecatonica, IL (US)

(73) Assignee: **Mikron Industries, Inc.**, Kent, WA (US)

(**) Term: **14 Years**

(21) Appl. No.: **29/395,001**

(22) Filed: **Nov. 4, 2011**

Related U.S. Application Data

(63) Continuation of application No. 29/349,767, filed on Apr. 30, 2010, now abandoned.

(51) **LOC (10) Cl.** **25-01**

(52) **U.S. Cl.**
USPC **D25/124**

(58) **Field of Classification Search**
USPC D25/119; 52/204.1, 204.2, 204.5, 52/204.51, 656.5, 656.6, 213, 215, 208, 52/206, 212, 717.01, 209, 204.72, 579, 52/793.1, 794.1, 216; 49/DIG. 2, 504, 501, 49/449, 180, 183; 160/91

See application file for complete search history.

(56) **References Cited**

U.S. PATENT DOCUMENTS

D394,510 S * 5/1998 Dallaire et al. D25/124
6,006,478 A * 12/1999 Hubner et al. 52/204.5
6,308,475 B1 * 10/2001 Crish et al. 49/504
D450,139 S * 11/2001 Roberts et al. D25/124

* cited by examiner

Primary Examiner — Doris Clark

(74) *Attorney, Agent, or Firm* — Zollinger & Burleson Ltd.

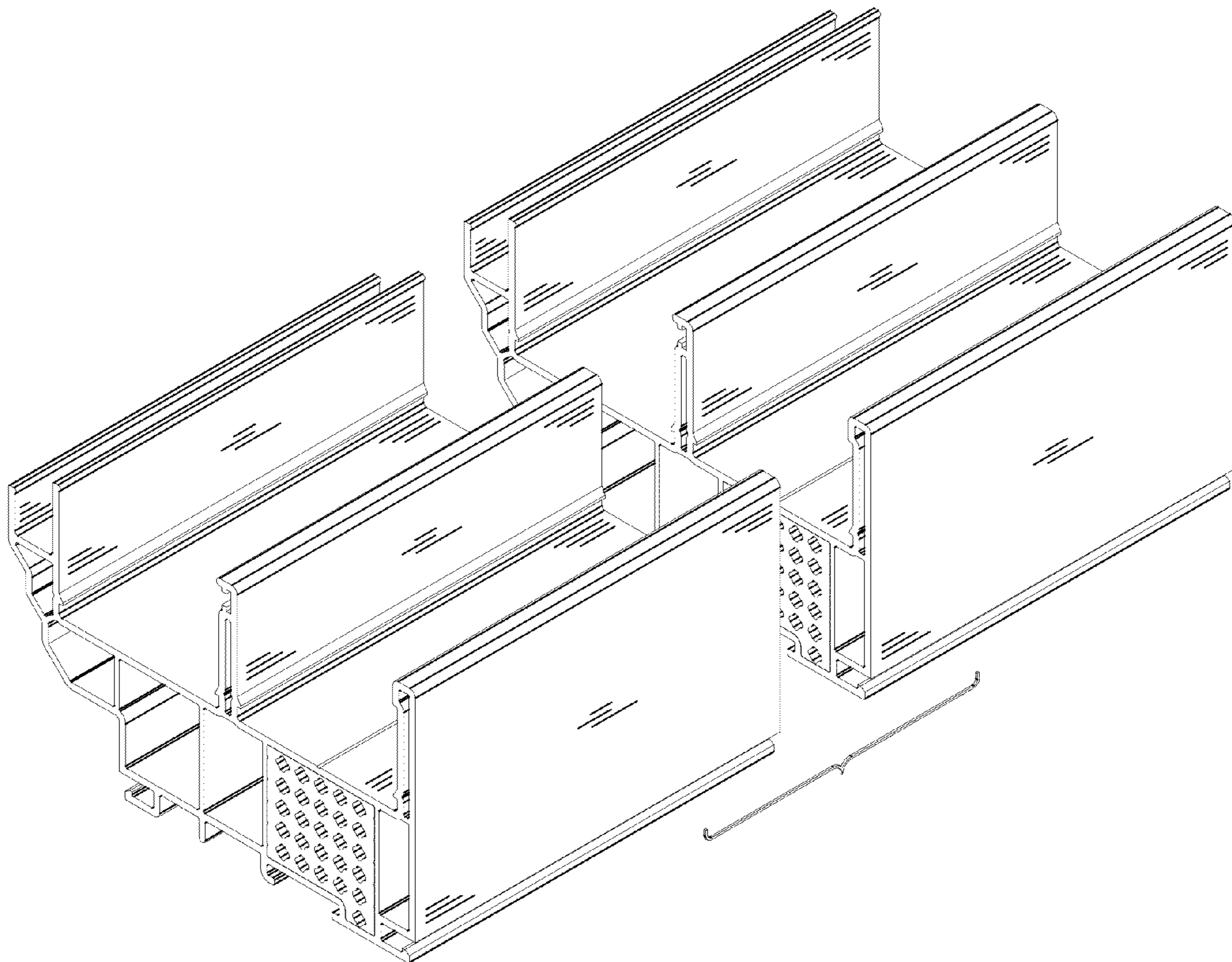
(57) **CLAIM**

The ornamental design for a window component extrusion, as shown and described.

DESCRIPTION

FIG. 1 is a top right perspective view of a first embodiment of the window component extrusion which is broken in the center indicating indefinite length, FIG. 2 is a bottom left perspective view of the window component extrusion shown in FIG. 1, FIG. 3 is a top right perspective view of a second embodiment of the window component extrusion which is broken in the center indicating indefinite length; and, FIG. 4 is a bottom left perspective view of the window component extrusion shown in FIG. 3.

1 Claim, 2 Drawing Sheets



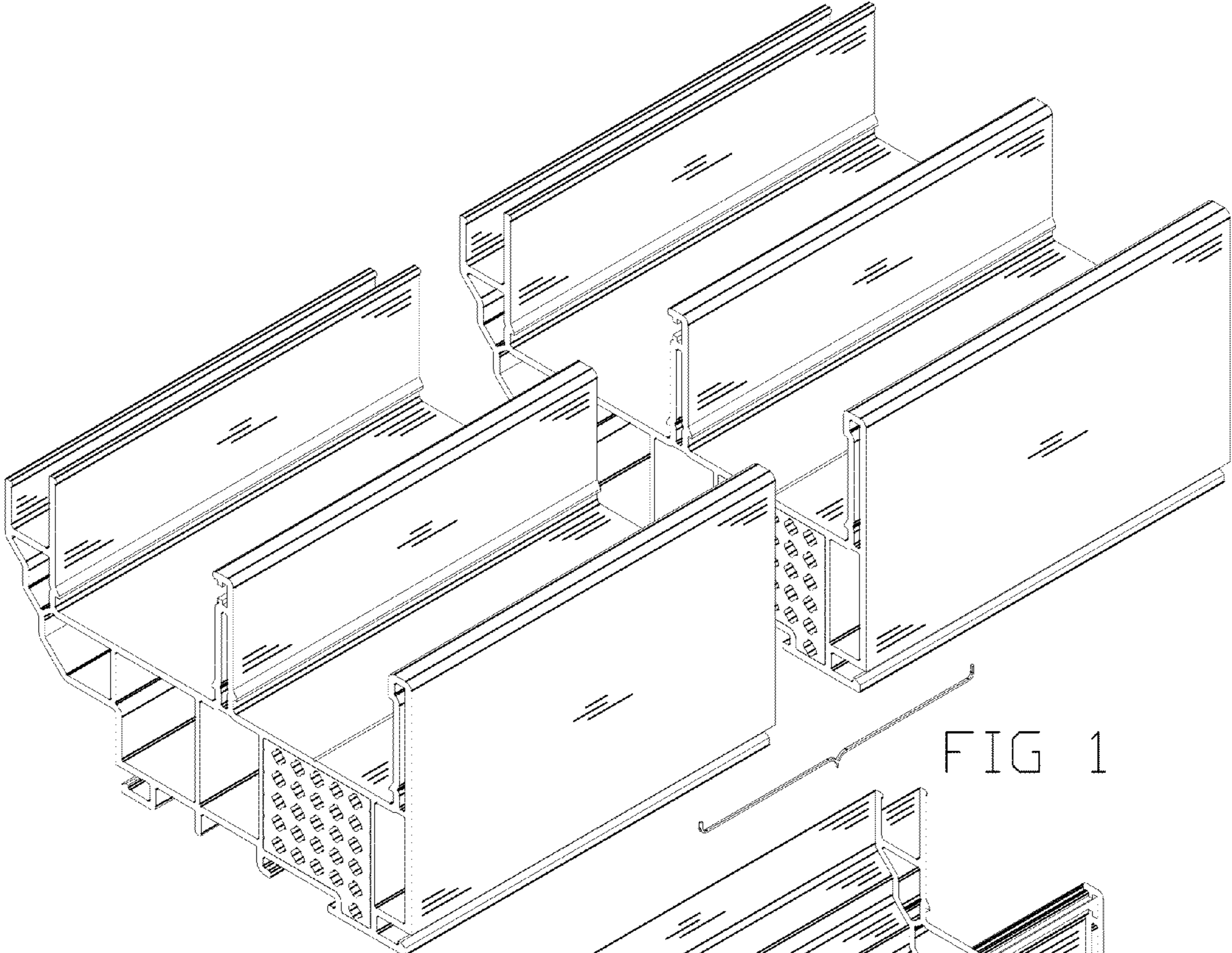


FIG 1

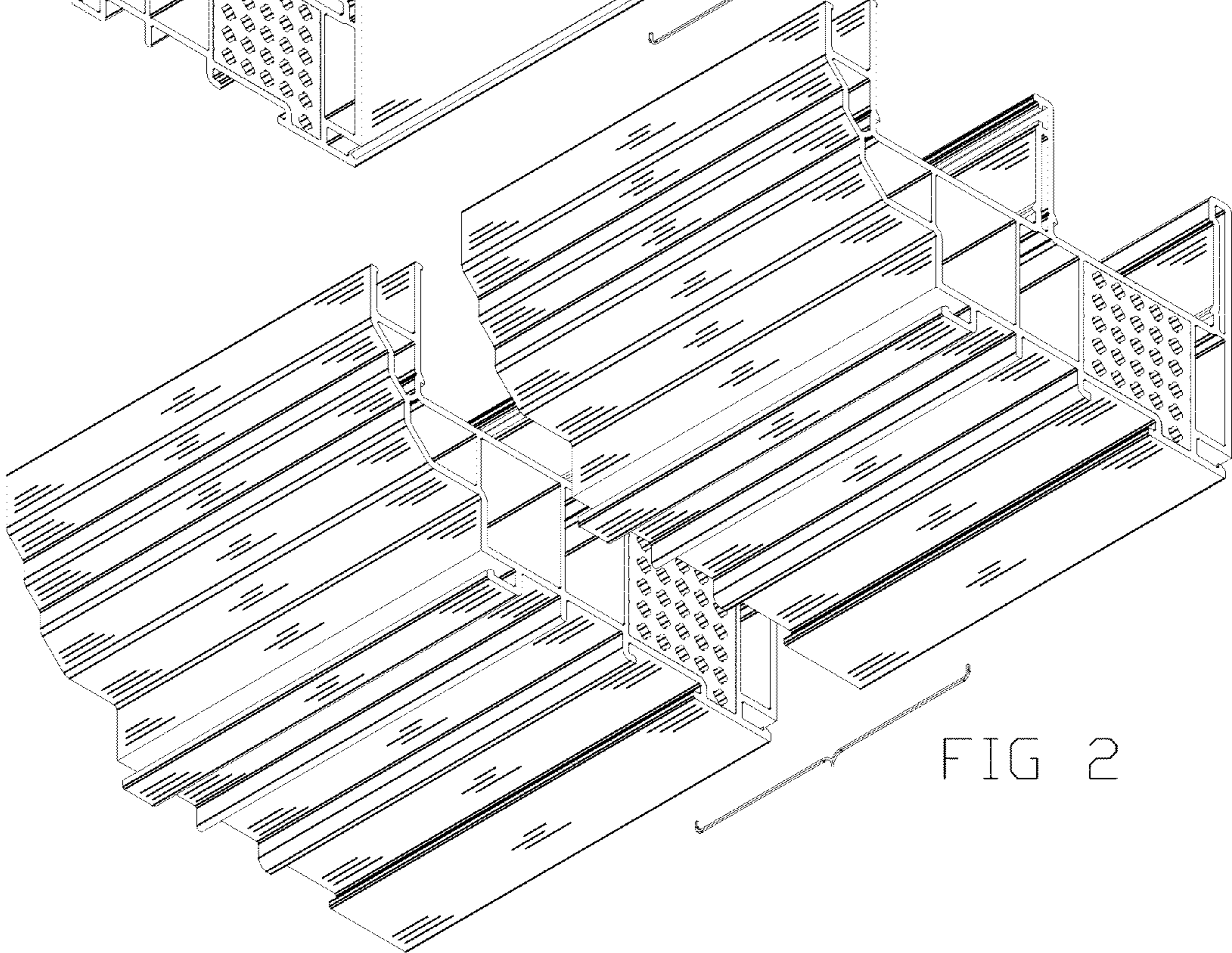


FIG 2

