



US00D722388S

(12) **United States Design Patent**  
**Van Camp**

(10) **Patent No.:** **US D722,388 S**  
(45) **Date of Patent:** **\*\* Feb. 10, 2015**

(54) **ARTICULATING THRESHOLD CAP BASE**

FOREIGN PATENT DOCUMENTS

(71) Applicant: **Endura Products, Inc.**, Colfax, NC  
(US)

EP 327840 8/1989

\* cited by examiner

(72) Inventor: **Brent Van Camp**, Kernersville, NC  
(US)

*Primary Examiner* — Doris Clark

(74) *Attorney, Agent, or Firm* — Womble Carlyle Sandridge & Rice, LLP

(73) Assignee: **Endura Products, Inc.**, Colfax, NC  
(US)

(57) **CLAIM**

The ornamental design for an articulating threshold cap base, as shown and described.

(\*\*) Term: **14 Years**

(21) Appl. No.: **29/455,708**

**DESCRIPTION**

(22) Filed: **May 23, 2013**

(51) **LOC (10) Cl.** ..... **25-02**

(52) **U.S. Cl.**  
USPC ..... **D25/48.2**

(58) **Field of Classification Search**  
USPC ..... 52/293.3; 49/468, 469, 496.1; D25/48.2  
See application file for complete search history.

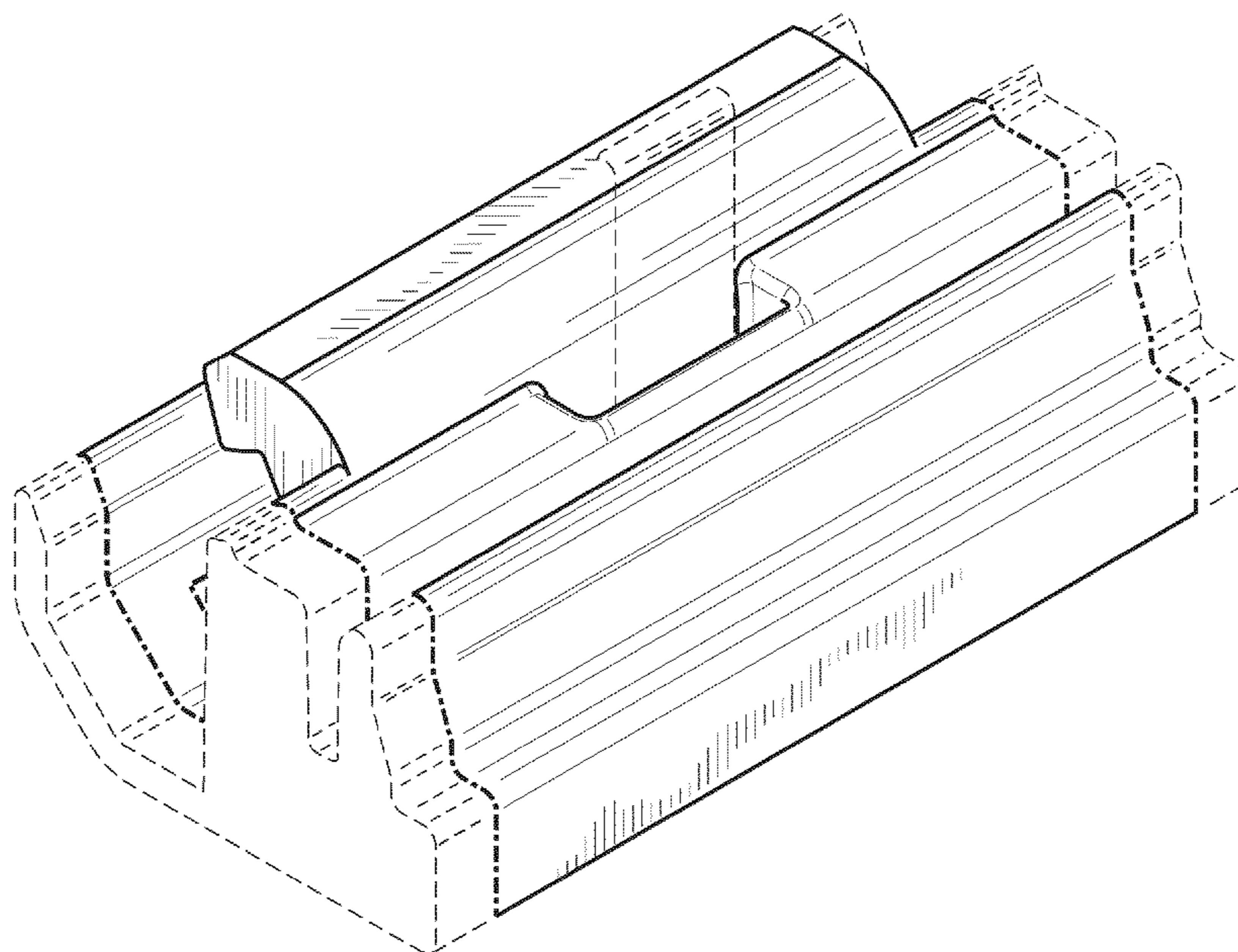
FIG. 1 is a top left perspective view of my new design.  
FIG. 2 is a front view thereof.  
FIG. 3 is a back view thereof.  
FIG. 4 is a top view thereof.  
FIG. 5 is a bottom view thereof.  
FIG. 6 is a bottom right perspective view thereof.  
FIG. 7 is a left profile view thereof, including the profile view of select environmental elements. The right profile view is a mirror image of the left profile view; and,  
FIG. 8 is an exploded view showing the claimed articulating threshold cap base distributed along three locations, two of the articulating threshold cap bases as well as other elements illustrated in broken lines are shown as environmental structure only that form no part of the claimed design.  
The dash-dot lines in the Figures adjacent to the shaded areas represent unclaimed boundaries of the design. The dash-dash lines within the claimed area of FIGS. 5 and 6 represent optional mold voids that form no part of the claimed design. The dash-dash lines elsewhere in the Figures refer to environmental elements only and form no part of the claimed design.

(56) **References Cited**

U.S. PATENT DOCUMENTS

220,460	A	10/1879	York	
435,658	A	9/1890	Brenneman	
618,013	A	1/1899	Roeder	
2,202,482	A	5/1940	Dahl	
2,663,056	A	12/1953	Hardgrave	
3,273,287	A	9/1966	Pease, Jr.	
3,475,866	A	11/1969	Johansen	
4,074,464	A *	2/1978	McCay	49/468
4,213,275	A	7/1980	Oehmig	
D354,572	S *	1/1995	Headrick	D25/48.2
2010/0242393	A1 *	9/2010	Kornfalt	52/395
2012/0324817	A1 *	12/2012	Stanchfield	52/464
2013/0047518	A1	2/2013	Van Camp et al.	

**1 Claim, 8 Drawing Sheets**



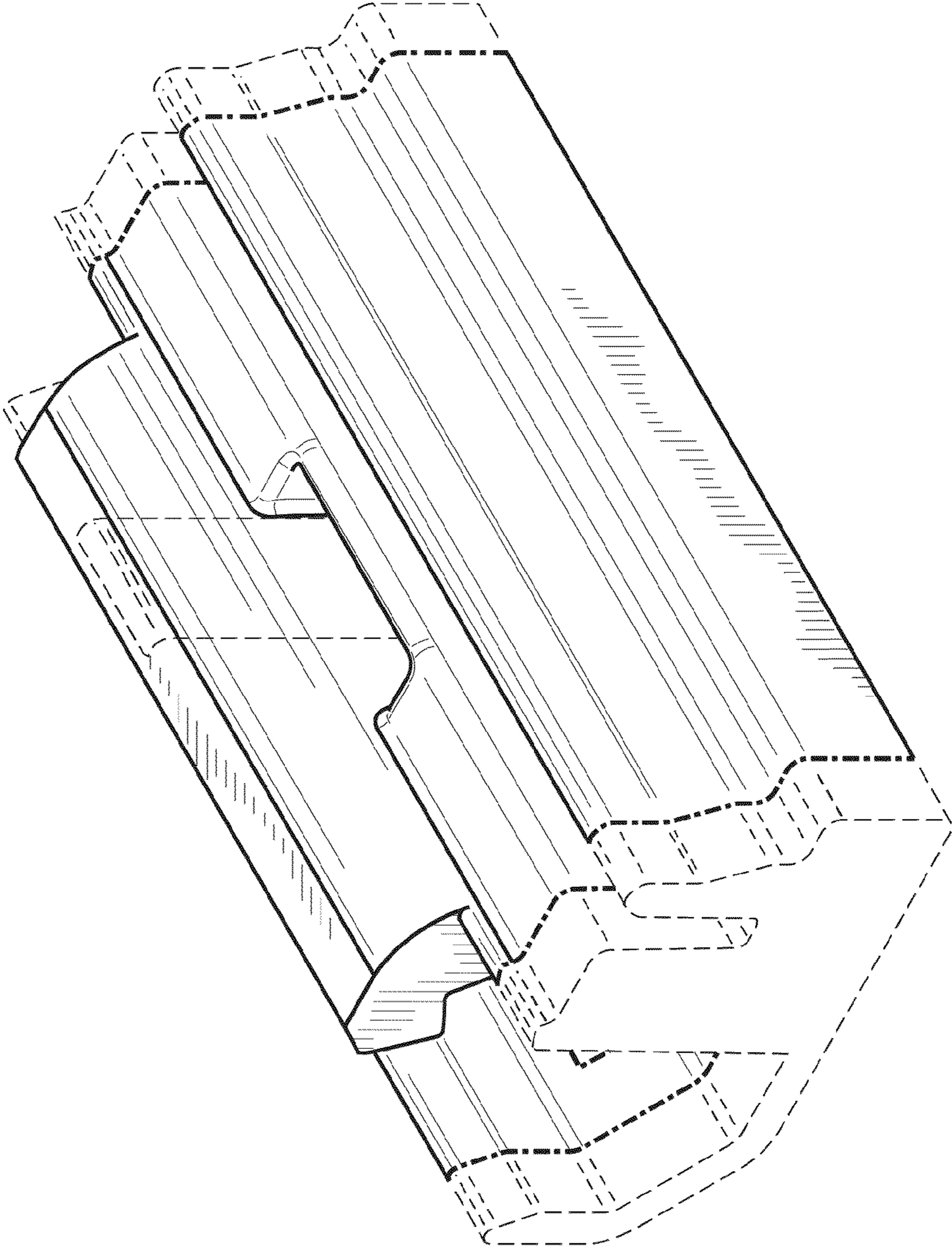


FIG. 1

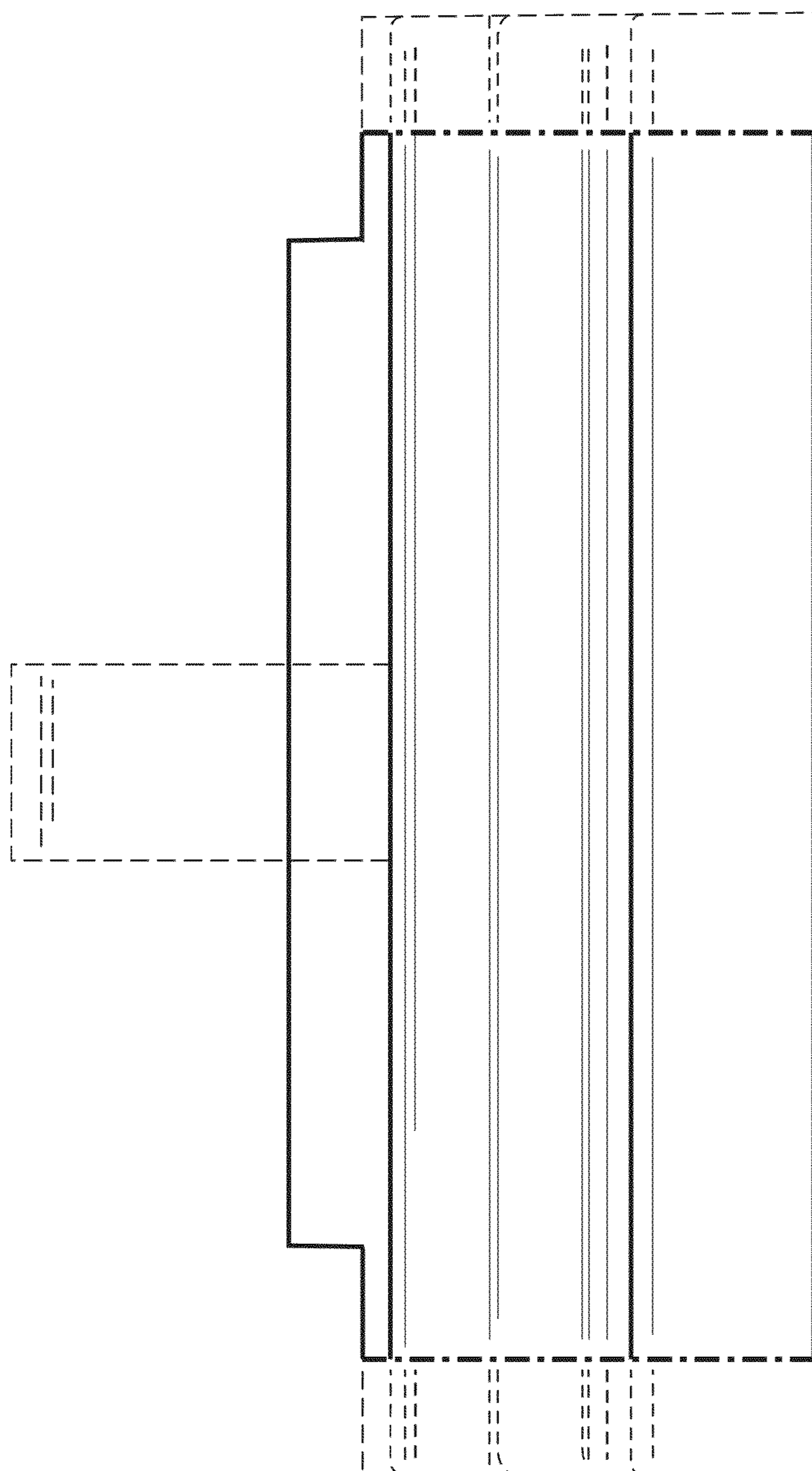


FIG. 2

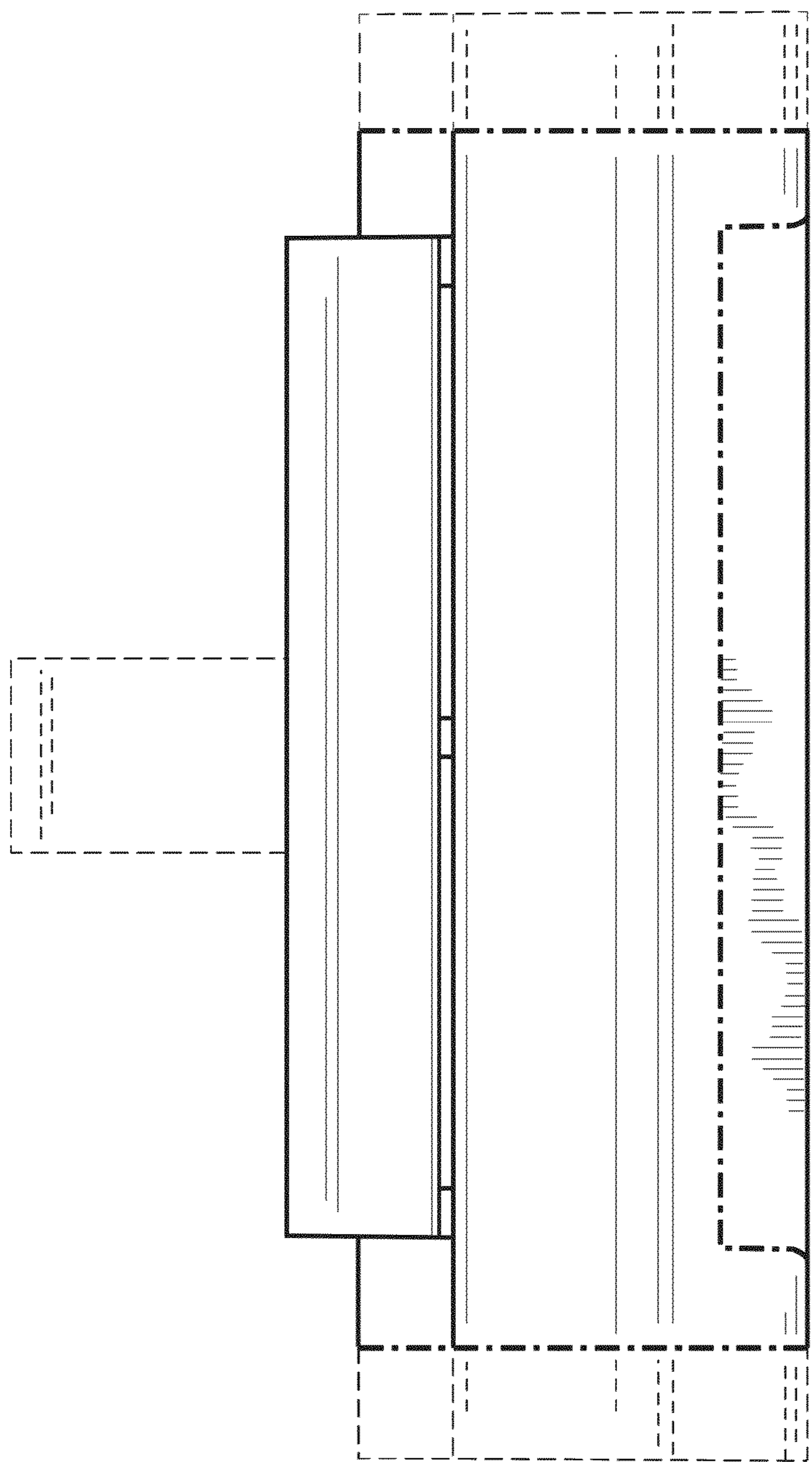


FIG. 3

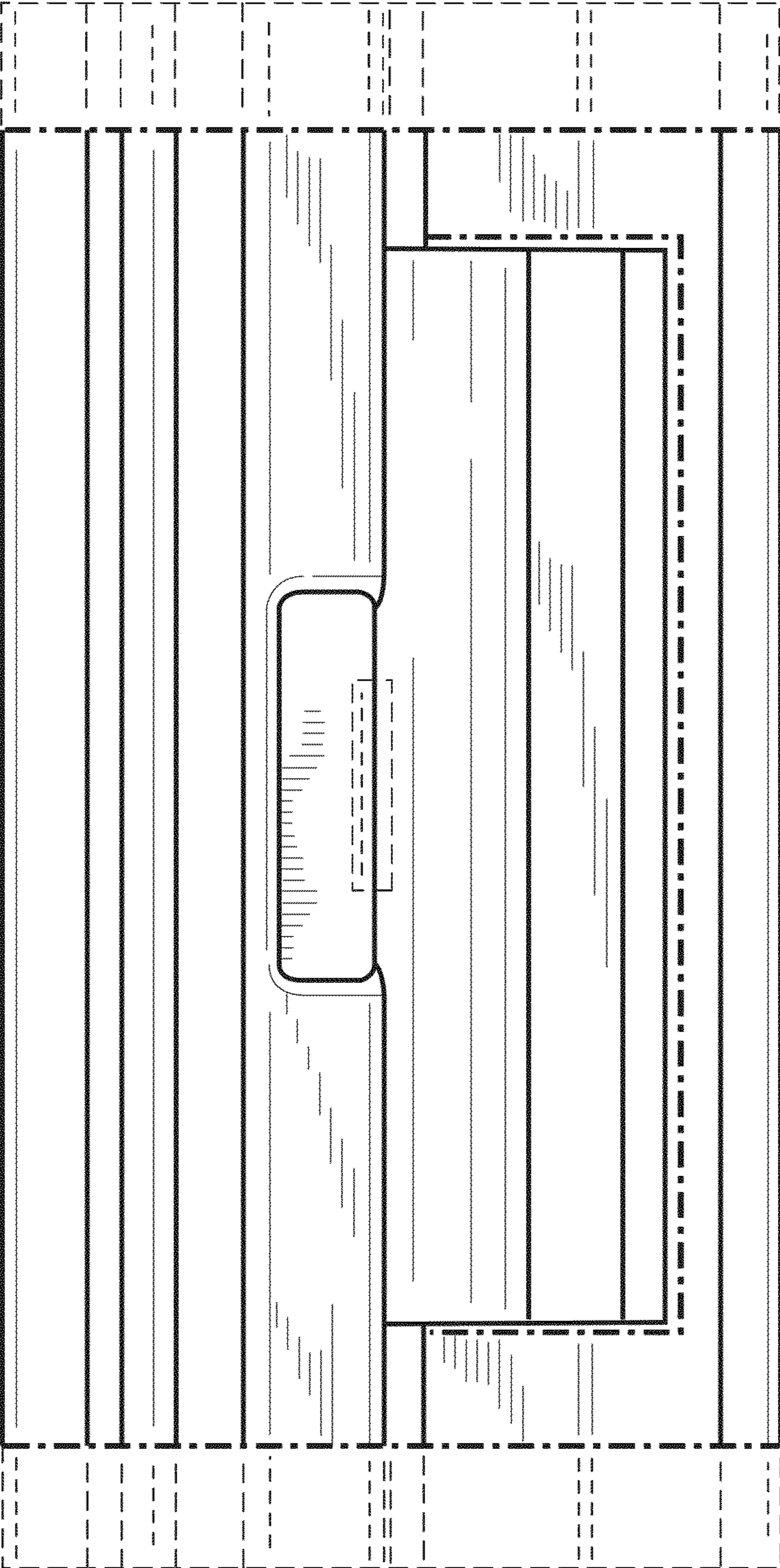


FIG. 4

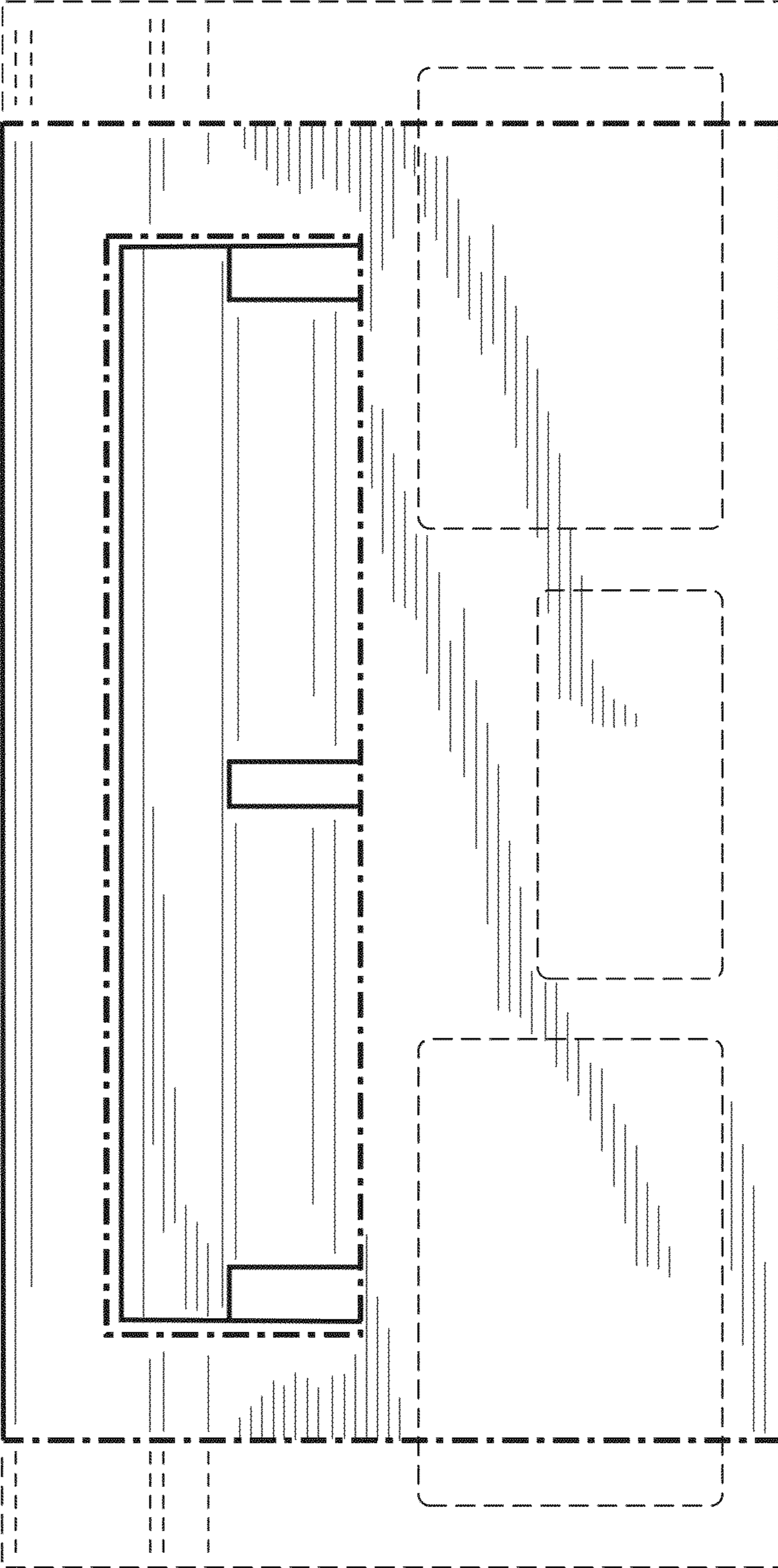


FIG. 5

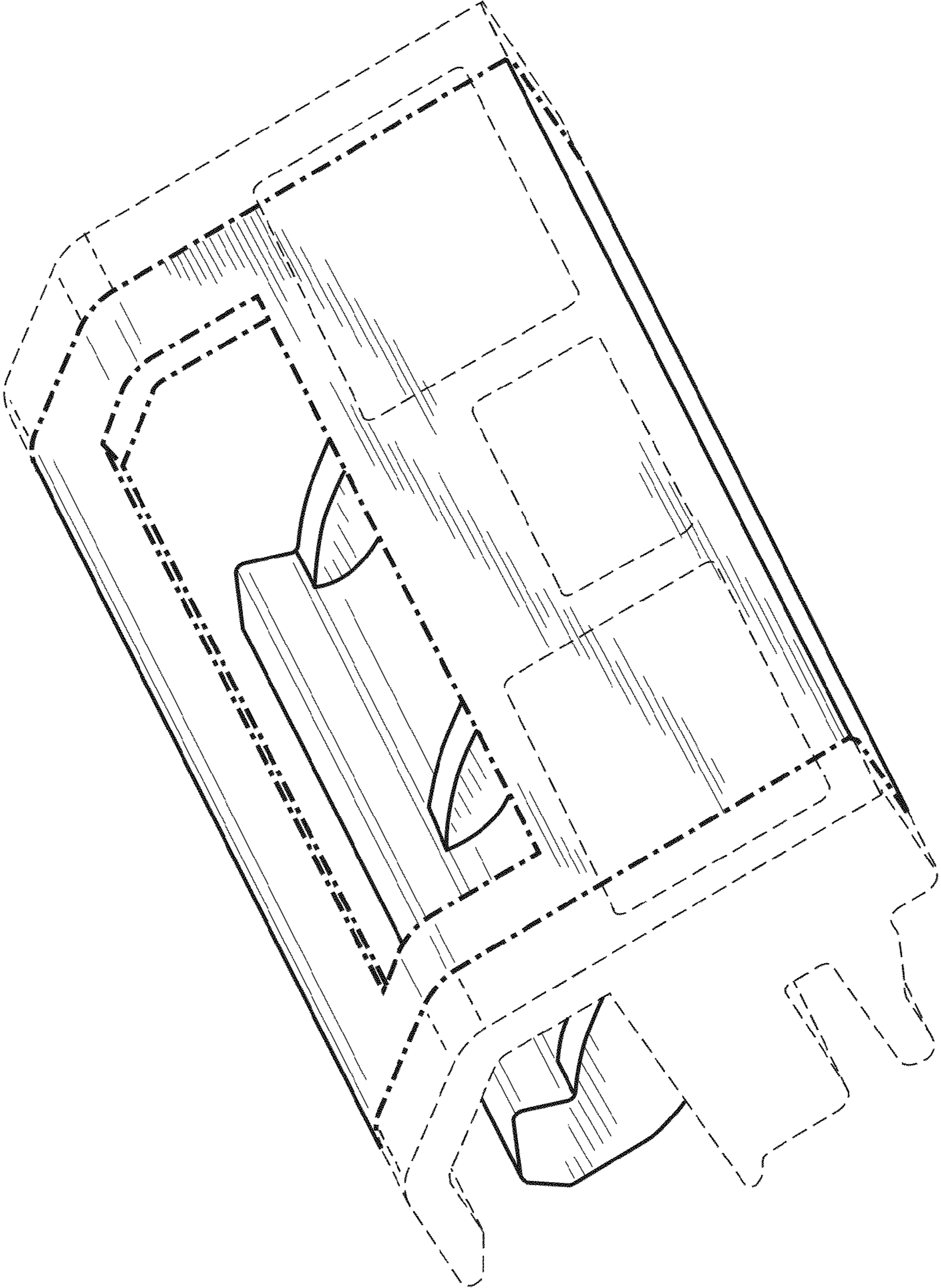


FIG. 6

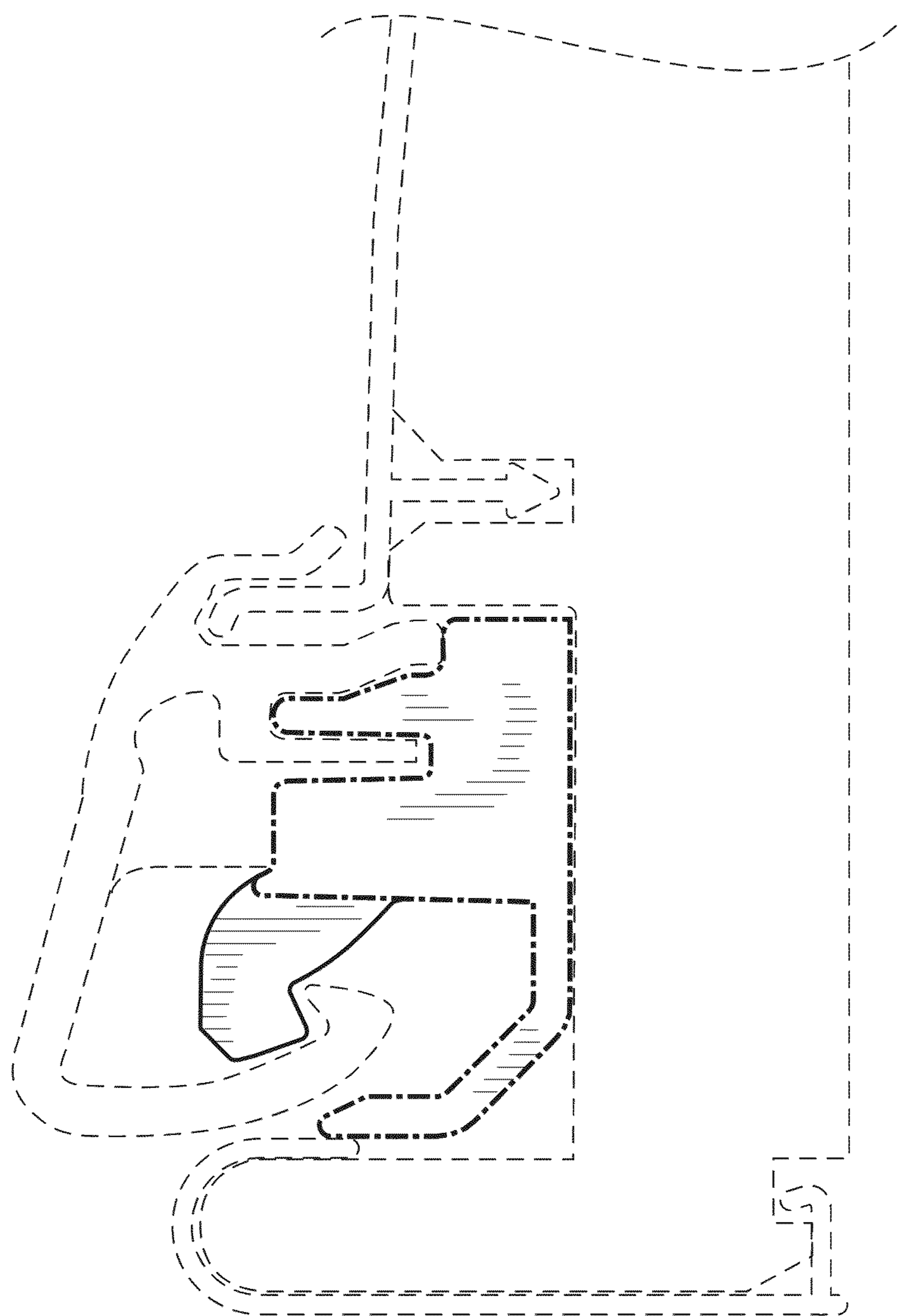


FIG. 7



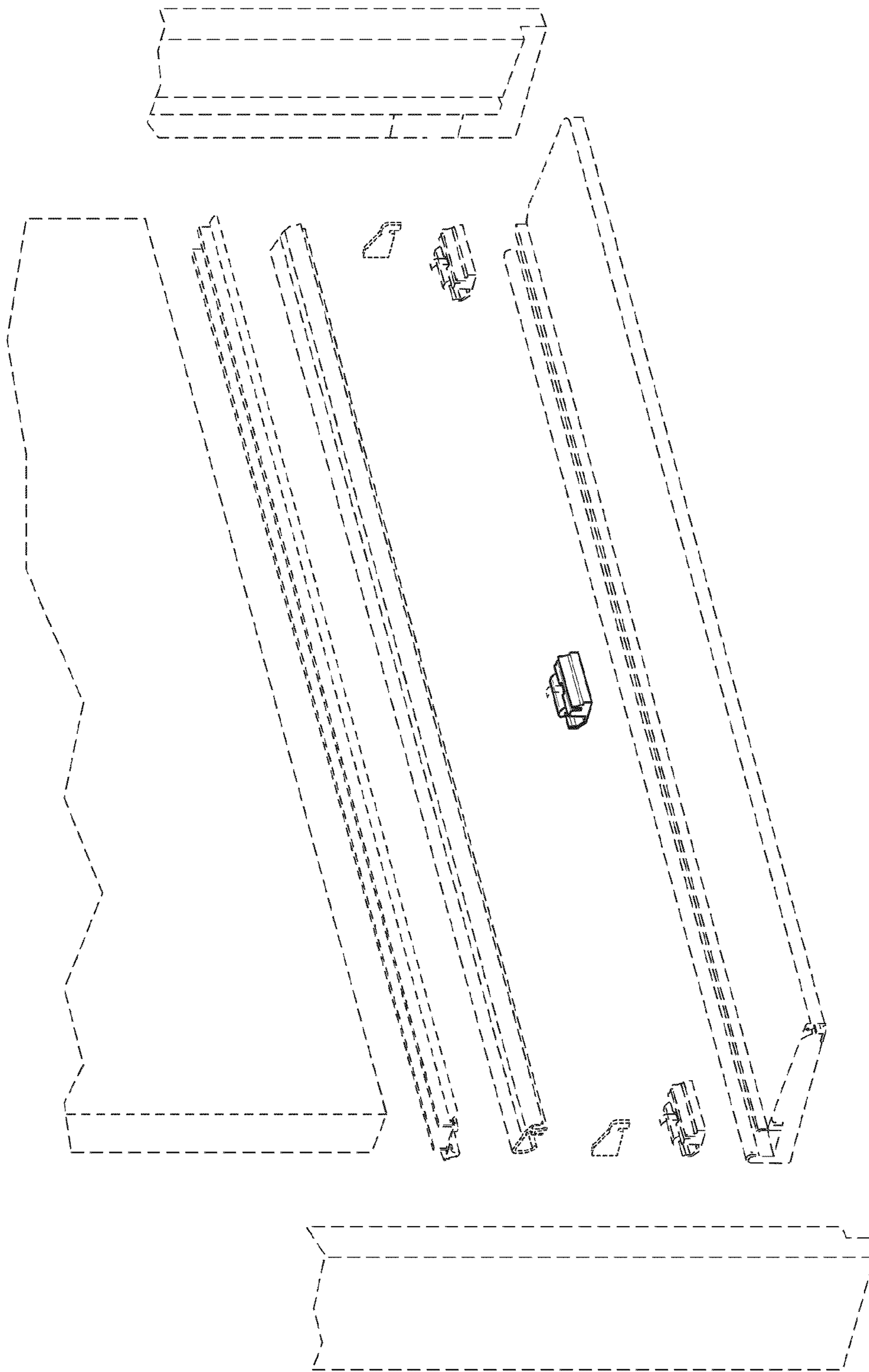


FIG. 8