

US00D722387S

(12) **United States Design Patent**
Van Camp

(10) **Patent No.:** **US D722,387 S**
(45) **Date of Patent:** **** Feb. 10, 2015**

(54) **ARTICULATING THRESHOLD CAP**

(71) Applicant: **Endura Products, Inc.**, Colfax, NC
(US)

(72) Inventor: **Brent Van Camp**, Kernersville, NC
(US)

(73) Assignee: **Endura Products, Inc.**, Colfax, NC
(US)

(**) Term: **14 Years**

(21) Appl. No.: **29/454,373**

(22) Filed: **May 9, 2013**

Related U.S. Application Data

(63) Continuation-in-part of application No. 13/835,874,
filed on Mar. 15, 2013.

(51) **LOC (10) Cl.** **25-02**

(52) **U.S. Cl.**
USPC **D25/48.2**

(58) **Field of Classification Search**
USPC 52/293.3; 49/468, 469, 496.1; D25/48.2
See application file for complete search history.

(56) **References Cited**

U.S. PATENT DOCUMENTS

56,046 A	7/1866	Hawkins
313,742 A	3/1885	Kintner
435,658 A	9/1890	Brenneman
582,451 A	5/1897	Brannon
220,460 A	10/1897	York
600,301 A	3/1898	Barger
618,013 A	1/1899	Roeder
1,468,958 A	9/1923	Champion
1,595,827 A	8/1926	Frisque
1,795,853 A	3/1931	Glass
2,129,381 A	8/1935	Oftedal et al.
2,108,137 A	4/1936	Oftedal et al.

2,202,482 A	5/1940	Dahl
2,663,056 A	12/1953	Hardgrave
2,696,029 A	12/1954	Neff
2,728,118 A	12/1955	Gossen
2,818,614 A	1/1958	Lapka Jr.
3,083,420 A	4/1963	Tintlow
3,114,180 A	12/1963	Riedl
3,374,579 A	3/1968	Neff
3,402,512 A	9/1968	Peterson

(Continued)

FOREIGN PATENT DOCUMENTS

EP 0327840 A2 1/1989

OTHER PUBLICATIONS

ThermaTru Doors Product Manual, Comp 13, Comp 11, Jan. 2011
(online). Designs shown therein known at least as early as Aug. 24,
2010. Retrieved on Mar. 3, 2011; <URL: <http://www.thermatru.com/customer-support/technical-manuals/ArchComp/Comp-12-14.pdf>>; <URL: <http://www.thermatru.com/customer-support/technical-manuals/manuals/ArchComp/Comp11.pdf>>, 6 pgs.

(Continued)

Primary Examiner — Doris Clark

(74) *Attorney, Agent, or Firm* — Womble Carlyle Sandridge
& Rice, LLP

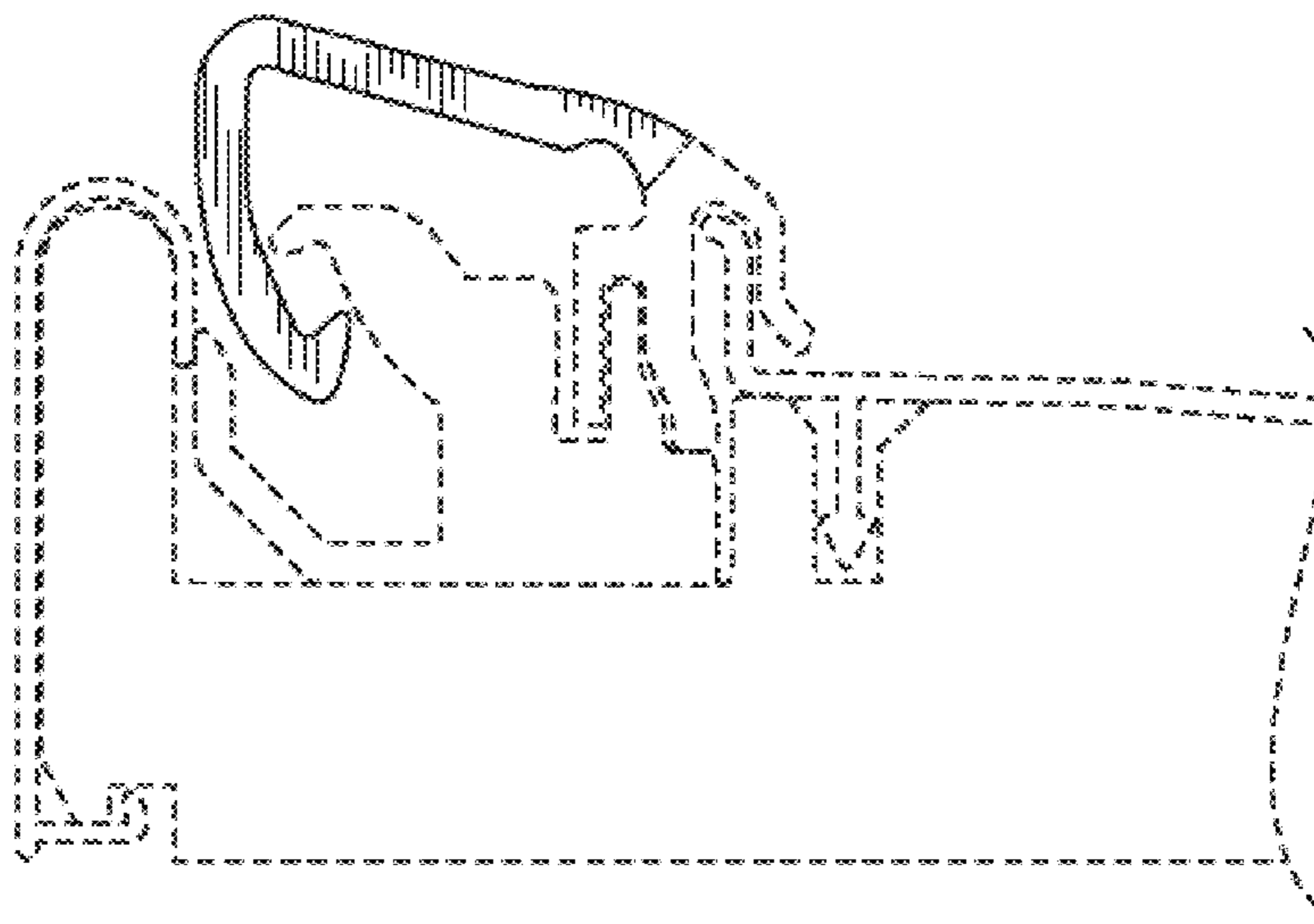
(57) **CLAIM**

The ornamental design for an articulating threshold cap, as
shown and described.

DESCRIPTION

The FIGURE is a side profile view of my new design.
The dash-dot line in the FIGURE immediately adjacent to the
shaded area represents an unclaimed boundary of the design.
The dash-dash lines elsewhere in the FIGURE refer to envi-
ronmental elements only and form no part of the claimed
design.

1 Claim, 1 Drawing Sheet



(56)

References Cited

U.S. PATENT DOCUMENTS

3,432,966 A 3/1969 Bordner
 3,475,866 A 11/1969 Johansen
 3,762,100 A 10/1973 Kempel
 3,854,246 A 12/1974 McAllister
 3,900,967 A 8/1975 Bursk et al.
 3,967,412 A 7/1976 Governale
 4,055,917 A 11/1977 Coller
 4,074,464 A * 2/1978 McCay 49/468
 4,079,550 A 3/1978 Bursk et al.
 4,104,830 A 8/1978 Eagle
 4,146,995 A 4/1979 Britt
 4,156,325 A 5/1979 McMullen et al.
 4,213,275 A 7/1980 Oehmig
 4,224,766 A 9/1980 Procton
 4,287,684 A 9/1981 McKann
 4,310,991 A 1/1982 Seely
 4,352,258 A 10/1982 Bursk et al.
 4,387,535 A 6/1983 Corbo
 4,411,104 A 10/1983 St. Aubin
 4,447,987 A 5/1984 Lesosky
 4,447,989 A 5/1984 Malland et al.
 4,513,536 A 4/1985 Giguere
 4,525,953 A 7/1985 Stutzman
 4,625,457 A 12/1986 Avery
 4,628,639 A 12/1986 Lowndale
 4,686,793 A 8/1987 Mills
 4,716,683 A 1/1988 Minter
 4,831,779 A 5/1989 Kehrli et al.
 5,010,690 A 4/1991 Geoffrey
 5,012,614 A 5/1991 Shea
 5,018,307 A 5/1991 Burrous et al.
 5,067,279 A 11/1991 Hagemeyer
 5,136,814 A 8/1992 Headrick
 5,179,804 A 1/1993 Young
 D354,572 S * 1/1995 Headrick D25/48.2
 5,426,894 A 6/1995 Headrick
 5,588,266 A 12/1996 Headrick
 5,706,607 A 1/1998 Frey
 5,857,291 A 1/1999 Headrick

5,943,825 A 8/1999 Procton et al.
 6,052,949 A 4/2000 Procton et al.
 6,061,967 A 5/2000 Judds
 6,125,584 A 10/2000 Sanders
 6,138,413 A 10/2000 Fehr
 6,216,395 B1 4/2001 Kelly
 6,367,201 B1 4/2002 Massey
 6,371,188 B1 4/2002 Baczuk et al.
 D488,243 S 4/2004 Babka et al.
 6,763,639 B2 7/2004 Bennett et al.
 6,789,358 B2 9/2004 Procton et al.
 7,114,293 B2 10/2006 Purlee
 D549,850 S 8/2007 Perlman
 7,263,808 B2 9/2007 Massey et al.
 7,350,336 B2 4/2008 Bennett
 7,472,516 B2 1/2009 Pepper et al.
 7,600,346 B2 10/2009 Meeks
 7,644,539 B2 1/2010 Baxter
 7,669,369 B2 3/2010 Henry et al.
 D627,488 S 11/2010 Abdollahzadeh et al.
 D638,958 S 5/2011 Van Camp et al.
 8,074,699 B2 12/2011 Jones et al.
 2002/0194787 A1 12/2002 Bennett
 2004/0200153 A1 10/2004 Khanlarian
 2005/0210754 A1 * 9/2005 Ferrell 49/468
 2006/0053695 A1 3/2006 Palenske
 2006/0174545 A1 8/2006 Young
 2006/0283087 A1 12/2006 Baxter
 2007/0227076 A1 10/2007 Braun
 2008/0110100 A1 5/2008 Heppner
 2008/0229669 A1 9/2008 Abdollahzadeh et al.
 2009/0199486 A1 8/2009 Wernlund et al.
 2010/0192469 A1 * 8/2010 McDaniel 49/469

OTHER PUBLICATIONS

ThermaTru Doors Product Manual, Comp 13, Kerf Door Bottom, Jun. 2005, 2 pgs.
 ThermaTru Doors, Sills Product Manual, Comp 11, Self-Adjusting Thermal Break Sill, Jun. 2005, 4 pgs.

* cited by examiner

