



US00D722386S

(12) **United States Design Patent**
Phelps

(10) **Patent No.:** **US D722,386 S**

(45) **Date of Patent:** **** Feb. 10, 2015**

(54) **FLOOD DEFENSE BARRIER**

(71) Applicant: **Fluvial Innovations Limited**, Poole
(GB)

(72) Inventor: **Simon Thomas Phelps**, Poole (GB)

(73) Assignee: **Fluvial Innovations Limited**, Poole
(GB)

(**) Term: **14 Years**

(21) Appl. No.: **29/452,974**

(22) Filed: **Apr. 24, 2013**

(51) **LOC (10) Cl.** **25-02**

(52) **U.S. Cl.**
USPC **D25/38.1**

(58) **Field of Classification Search**
USPC D25/38.1, 48.8, 35; 405/15, 63, 80,
405/116, 284, 272, 110, 111; 256/13;
49/10; 52/64, 169.7, 245

See application file for complete search history.

(56) **References Cited**

U.S. PATENT DOCUMENTS

4,650,368	A *	3/1987	Bayer	405/111
7,530,763	B2 *	5/2009	Heselden	405/15
7,712,998	B2 *	5/2010	Salemie	405/111
D631,977	S *	2/2011	Taylor	D25/38.1
2010/0150667	A1	6/2010	Phelps	405/284
2010/0186216	A1	7/2010	Reedijk et al.	29/592

* cited by examiner

Primary Examiner — Doris Clark

(74) *Attorney, Agent, or Firm* — Renner Kenner Greive
Bobak Taylor & Weber

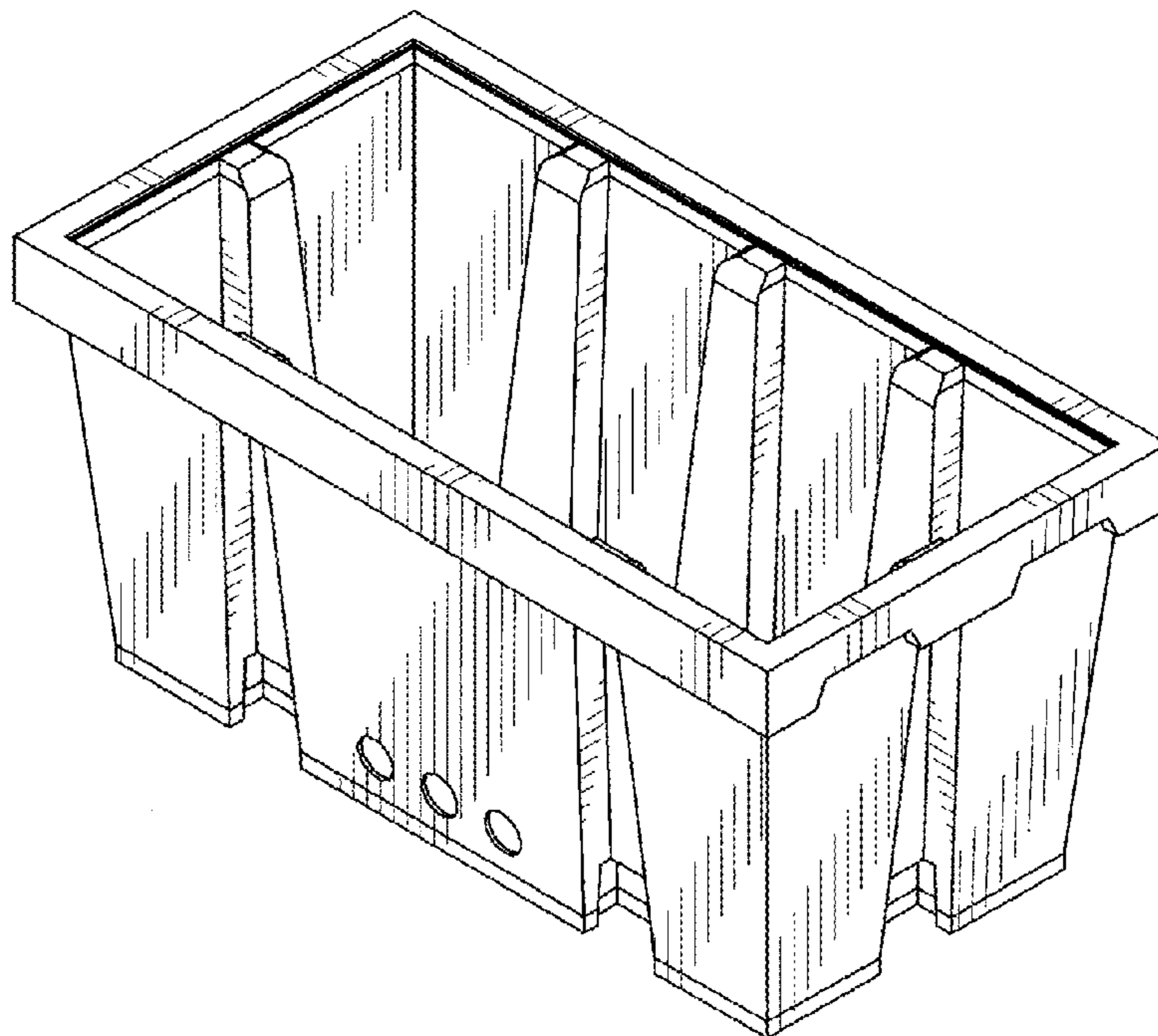
(57) **CLAIM**

The ornamental design for flood defense barrier, as shown
and described.

DESCRIPTION

FIG. 1 is a top perspective view of a flood defense barrier
showing my new design;
FIG. 2 is an end view thereof, wherein an opposite side end
view is a mirror image thereof;
FIG. 3 is a top plan view thereof;
FIG. 4 is a bottom plan view thereof;
FIG. 5 is a front elevational view thereof;
FIG. 6 is a rear elevational view thereof; and,
FIG. 7 is a bottom perspective view.

1 Claim, 4 Drawing Sheets



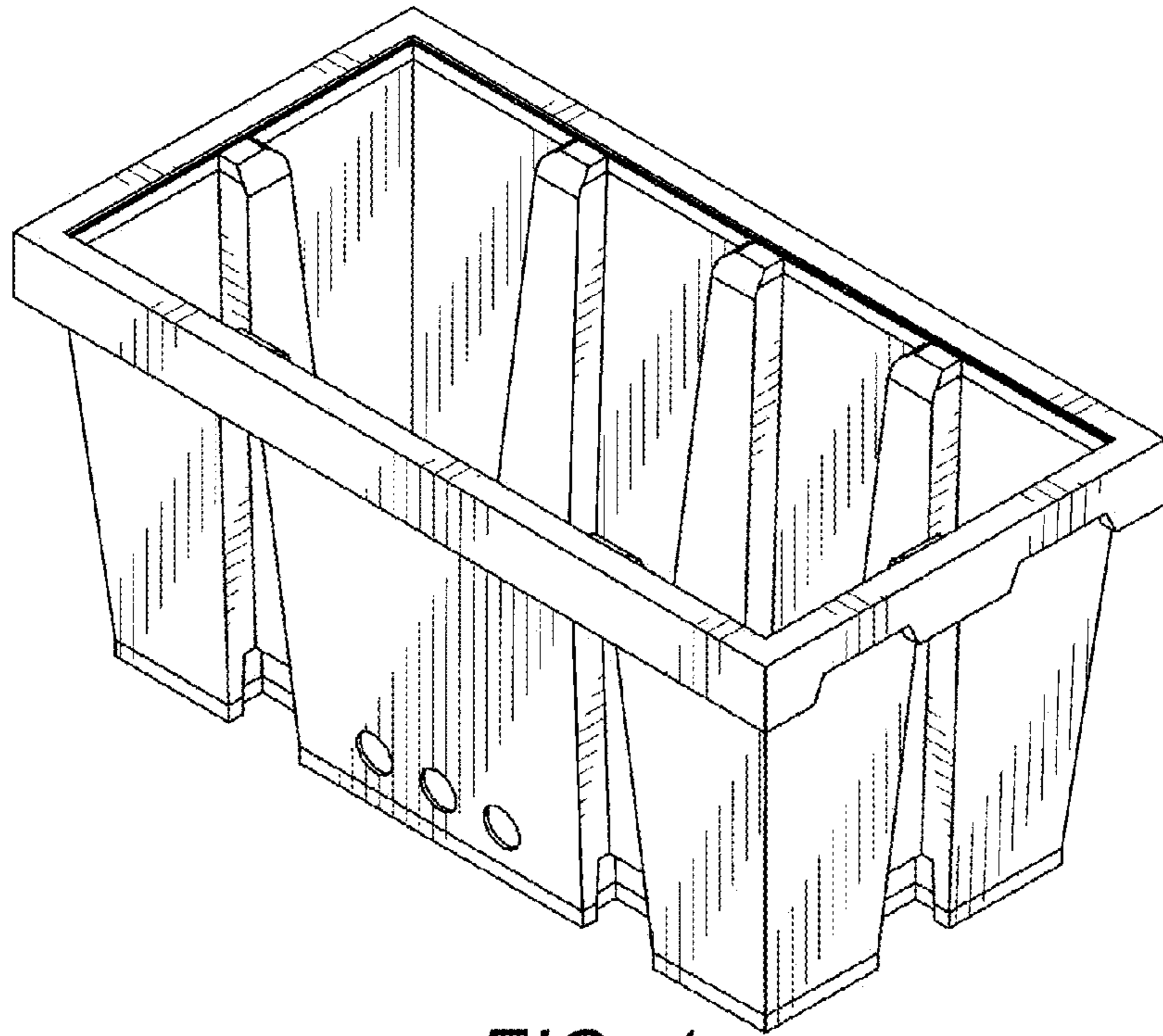


FIG. 1

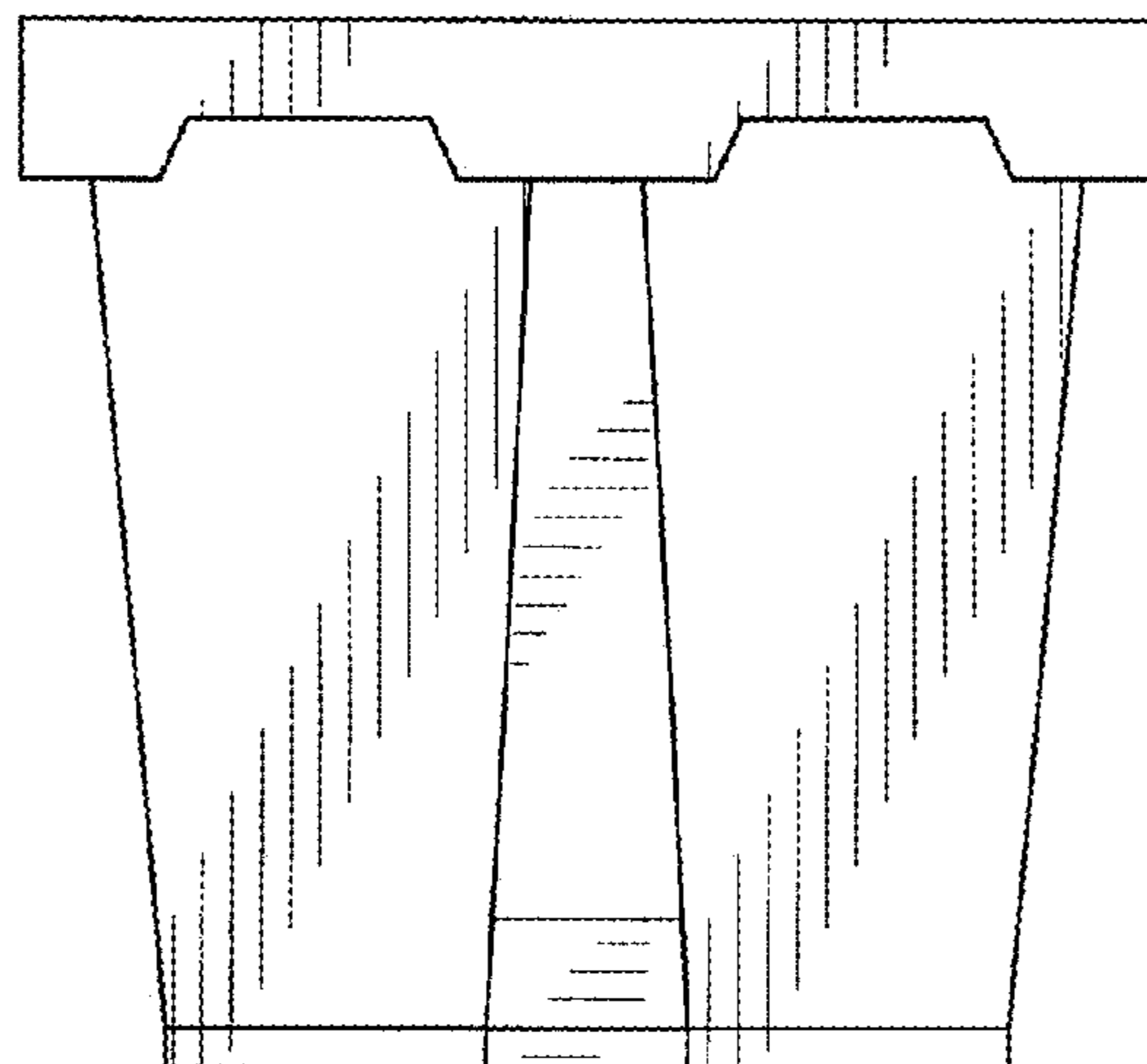


FIG. 2

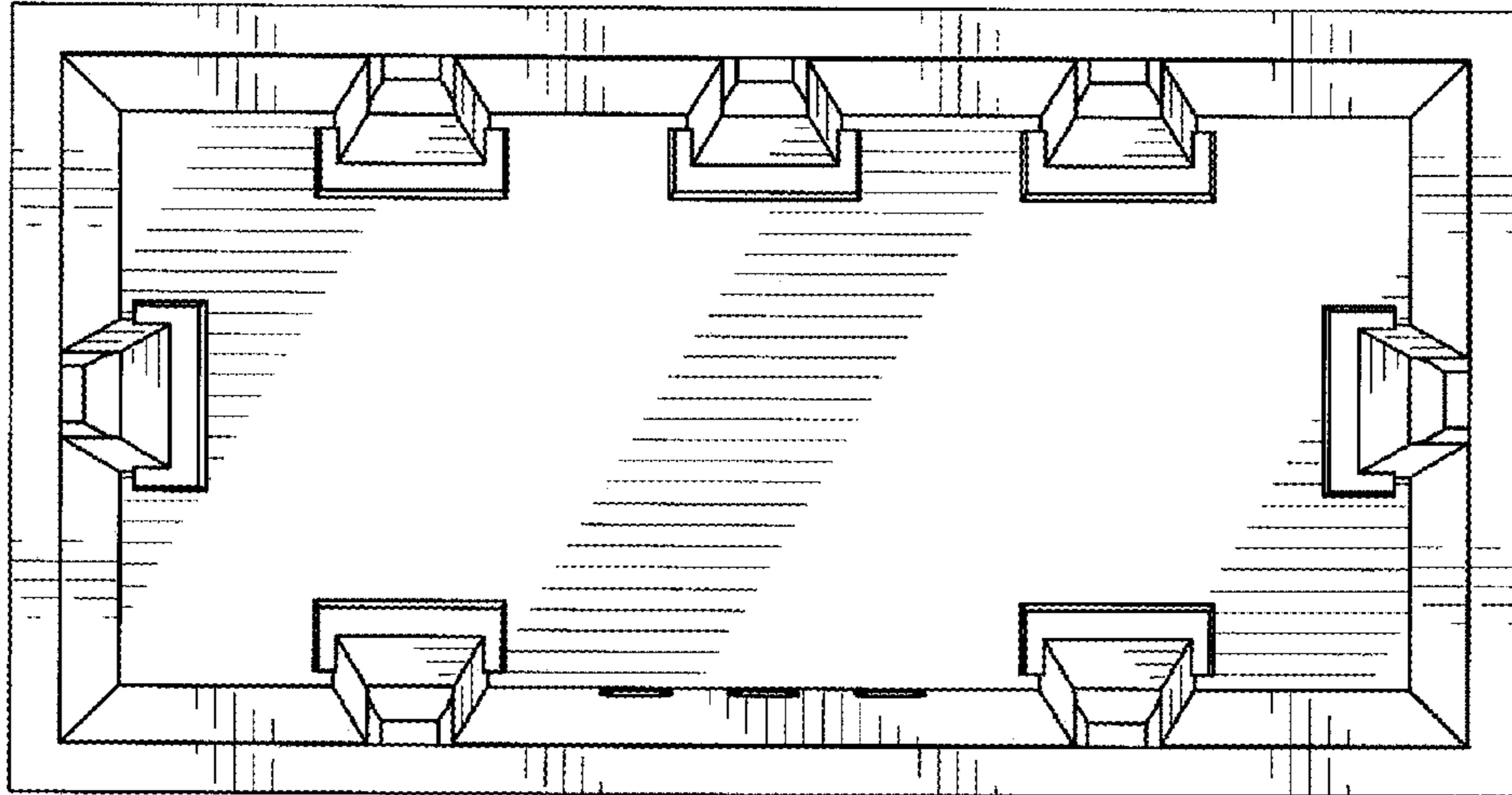


FIG. 3

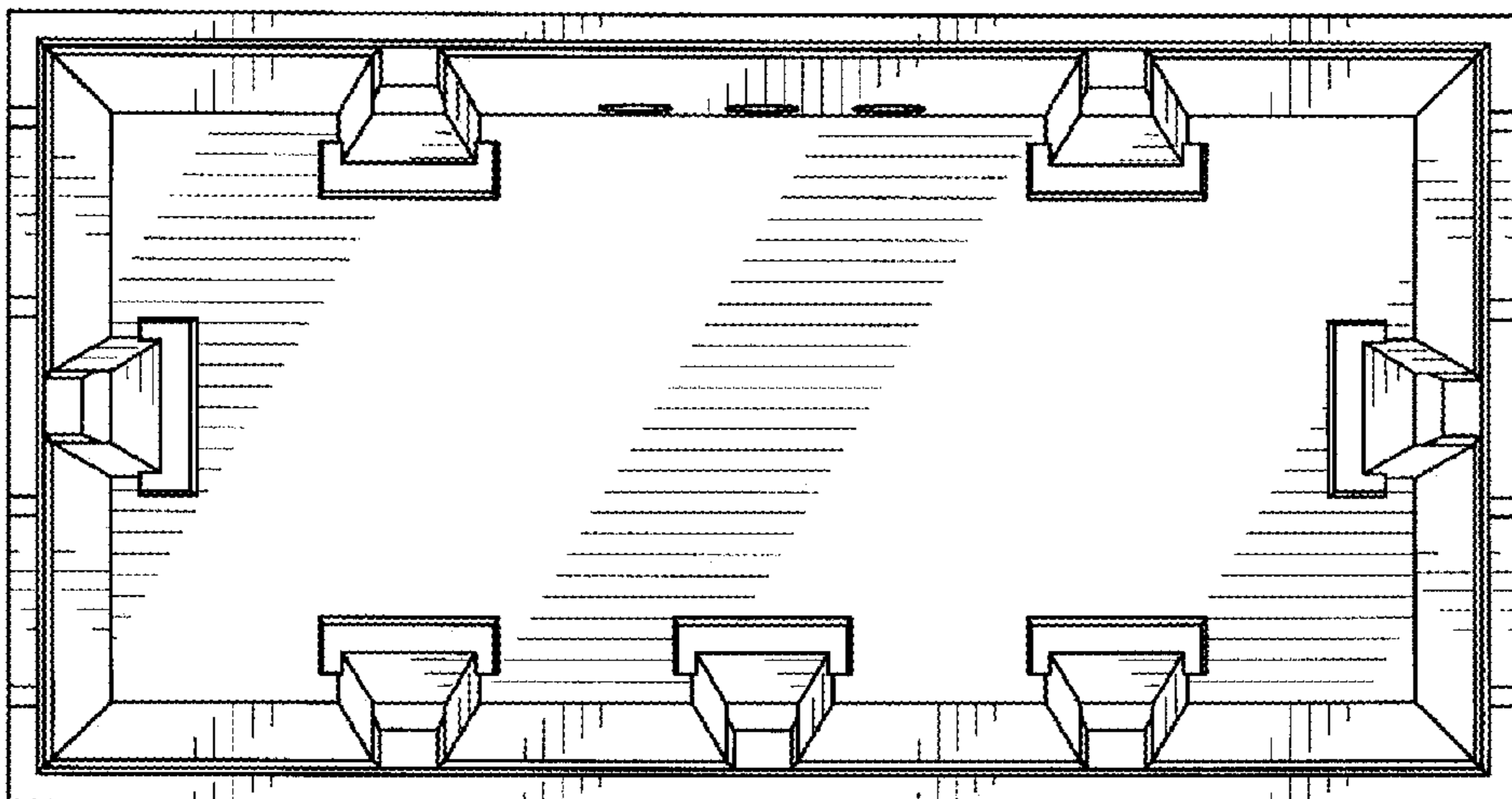


FIG. 4

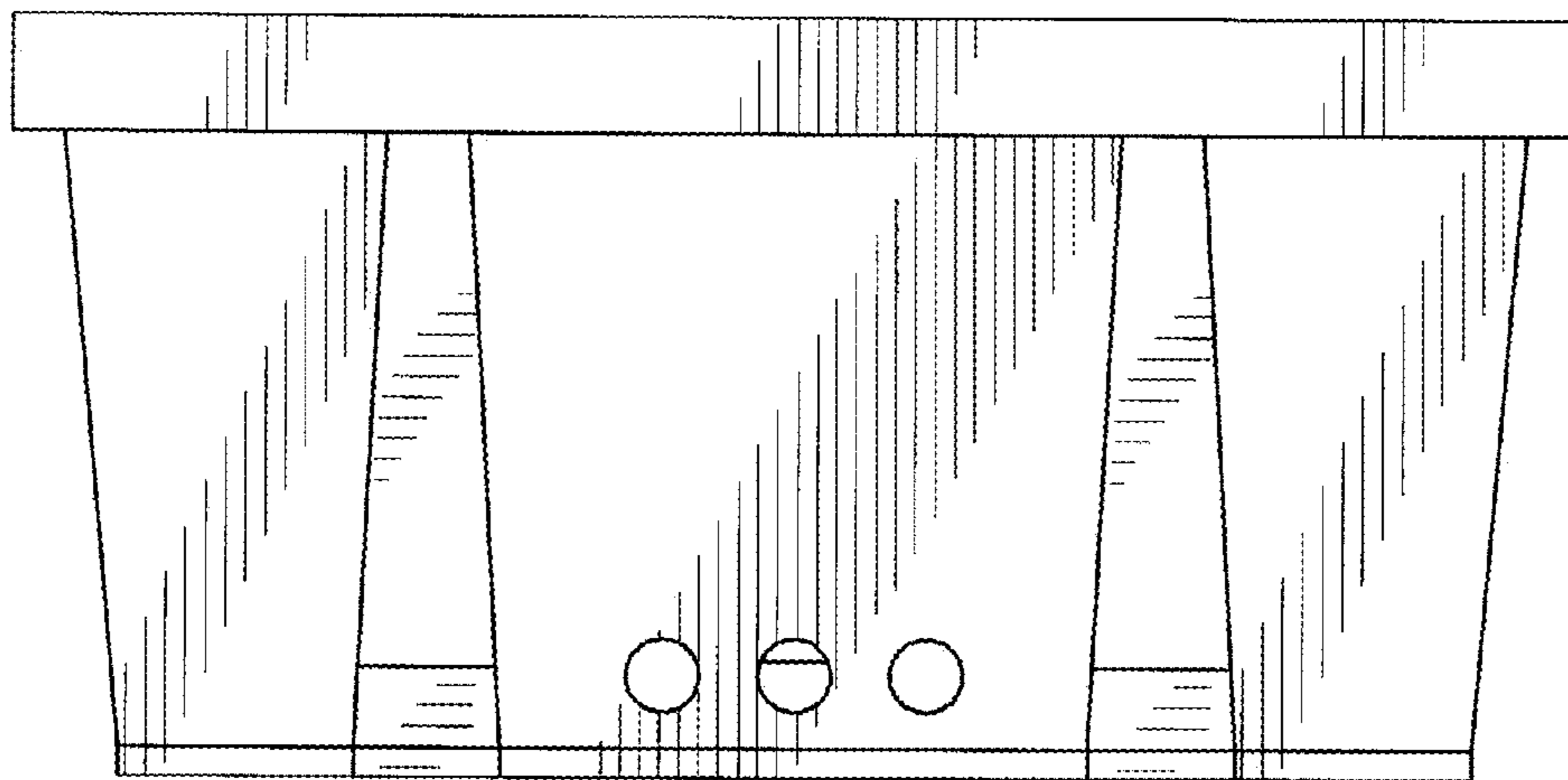


FIG. 5

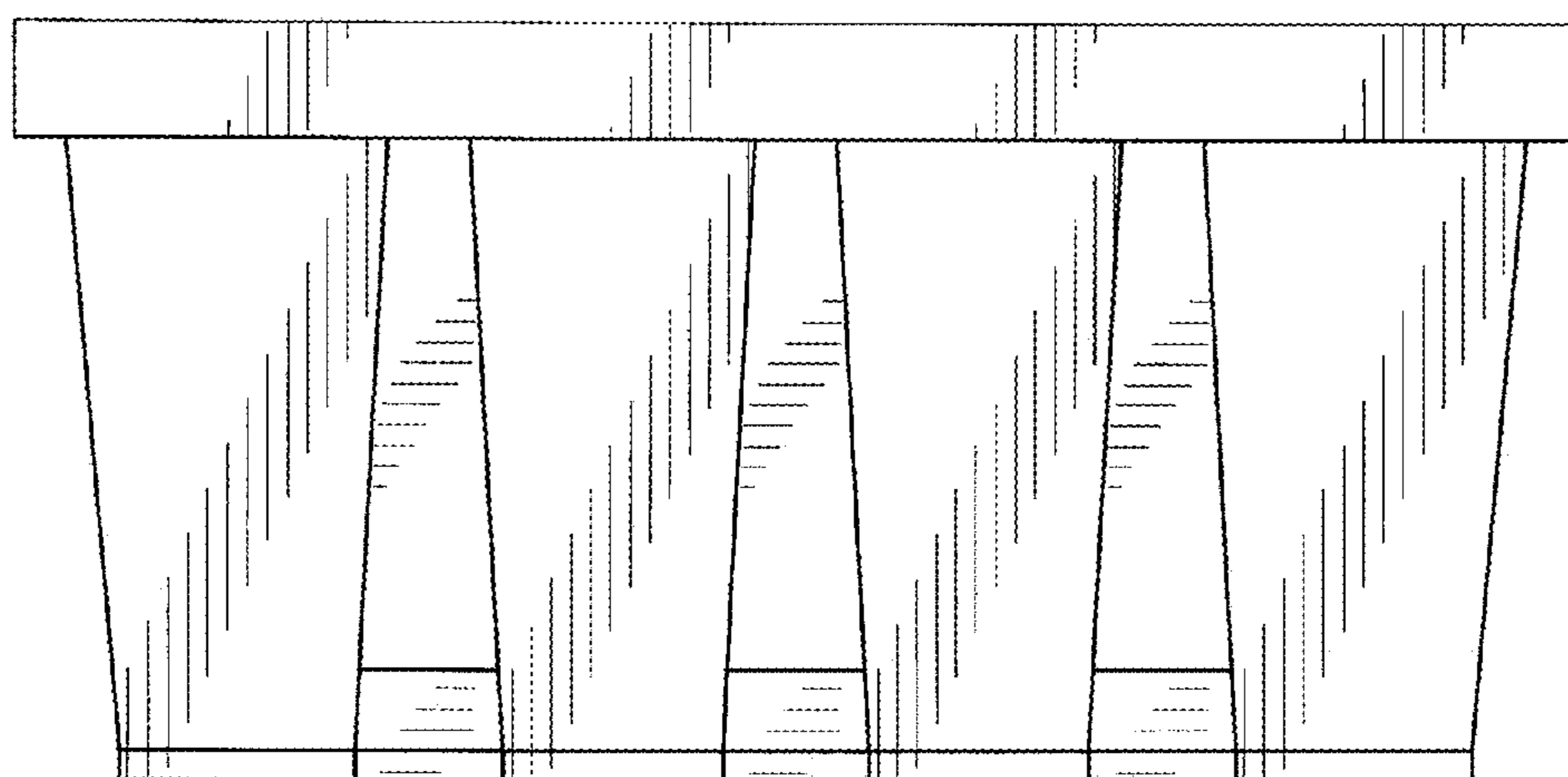


FIG. 6

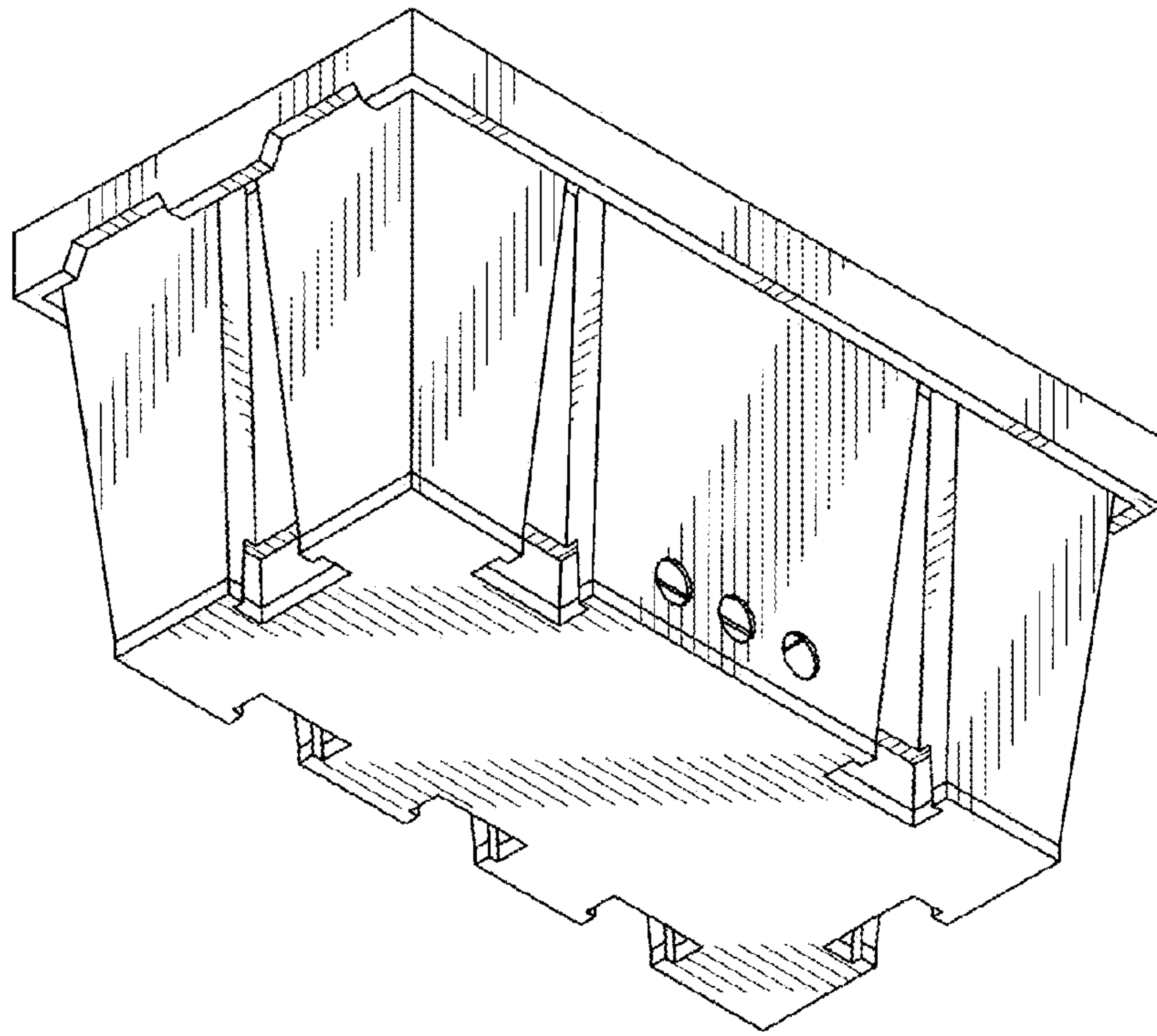


FIG. 7