



US00D722385S

(12) **United States Design Patent**  
**Fonseca**

(10) **Patent No.:** **US D722,385 S**

(45) **Date of Patent:** **\*\* Feb. 10, 2015**

(54) **BIOLOGICAL ARRAY HOLDER**

D561,905 S \* 2/2008 Ramel et al. .... D24/216  
D637,733 S \* 5/2011 Wei ..... D24/226

(71) Applicant: **Life Technologies Corporation,**  
Carlsbad, CA (US)

\* cited by examiner

(72) Inventor: **Jorge Fonseca,** Carlsbad, CA (US)

*Primary Examiner* — Anhdao Doan

(73) Assignee: **Life Technologies Corporation,**  
Carlsbad, CA (US)

(57) **CLAIM**

The ornamental design for a biological array holder, as shown and described.

(\*\*) Term: **14 Years**

**DESCRIPTION**

(21) Appl. No.: **29/481,847**

FIG. 1 is a perspective view of a first embodiment of a biological array holder.

(22) Filed: **Feb. 11, 2014**

FIG. 2 is a front view of the biological array holder shown in FIG. 1.

**Related U.S. Application Data**

(62) Division of application No. 29/448,100, filed on Mar. 8, 2013, now Pat. No. Des. 699,369.

FIG. 3 is a back view of the biological array holder shown in FIG. 1.

(51) **LOC (10) Cl.** ..... **24-01**

(52) **U.S. Cl.**  
USPC ..... **D24/224**

FIG. 4 is a side view of the biological array holder shown in FIG. 1.

(58) **Field of Classification Search**  
USPC ..... D24/216, 223, 224, 225, 226, 186;  
D10/81; 435/288.7, 308.1, 287.1,  
435/287.3, 288.3, 287.2, 287.7, 287.9,  
435/288.5, 810, 973; 422/547, 549, 500,  
422/556, 557, 554, 565, 68.1, 401, 402,  
422/408, 420, 425, 430; 436/514, 518, 810  
See application file for complete search history.

FIG. 5 is a side view of the biological array holder shown in FIG. 1.

FIG. 6 is a top view of the biological array holder shown in FIG. 1.

FIG. 7 is a bottom view of the biological array holder shown in FIG. 1.

FIG. 8 is a front perspective view of a second embodiment of a biological array holder.

FIG. 9 is a front view of the biological array holder shown in FIG. 8.

FIG. 10 is a back view of the biological array holder shown in FIG. 8.

FIG. 11 is a side view of the biological array holder shown in FIG. 8.

FIG. 12 is a side view of the biological array holder shown in FIG. 8.

FIG. 13 is a top view of the biological array holder shown in FIG. 8; and,

FIG. 14 is a bottom view of the biological array holder shown in FIG. 8.

The broken lines in the drawing views are included for the purpose of illustrating portions of the biological array holder that form no part of the claimed design.

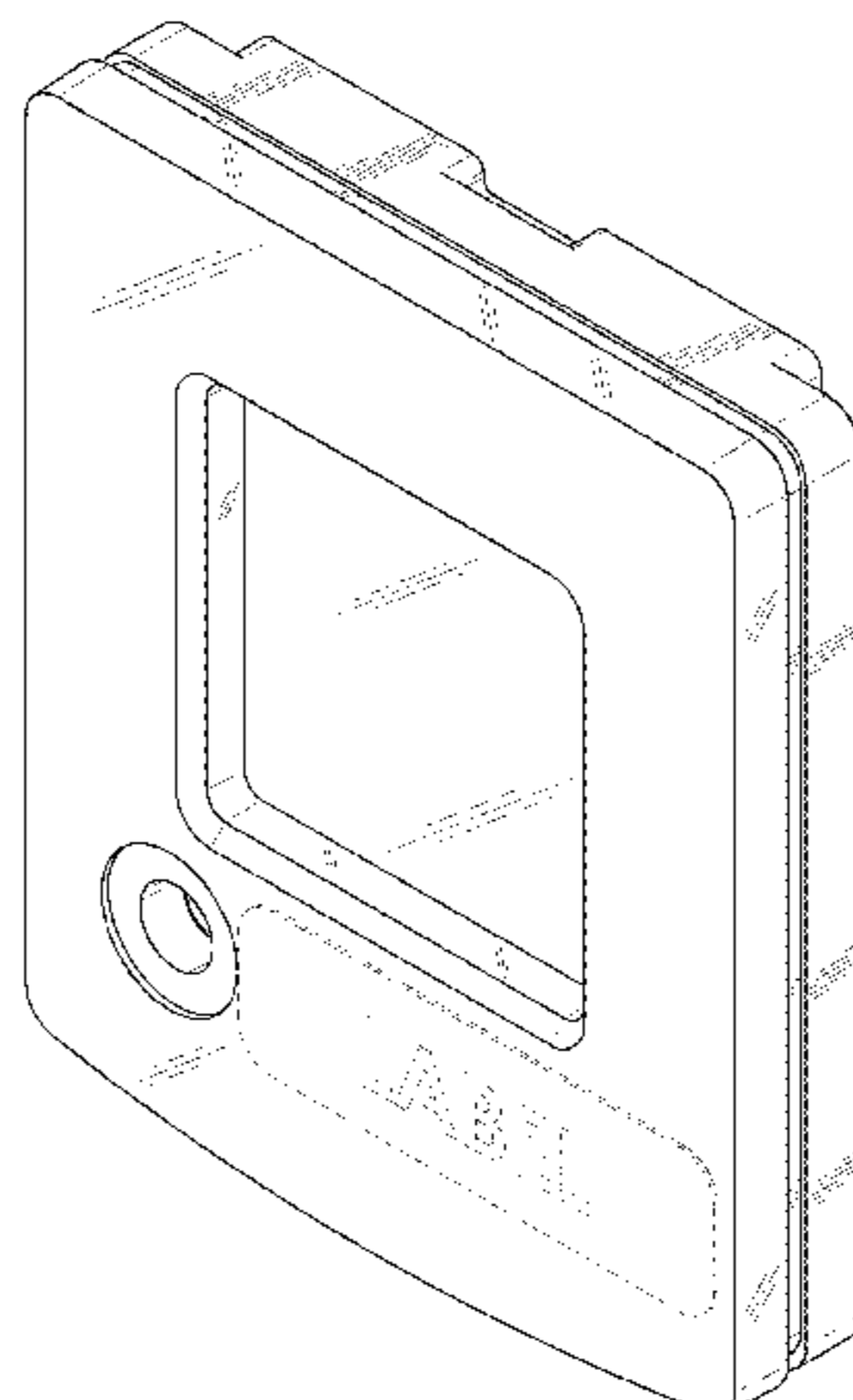
The ornamental design for a biological array holder capable of being used for analysis of biological samples.

(56) **References Cited**

**U.S. PATENT DOCUMENTS**

D324,426 S \* 3/1992 Fan et al. .... D24/226  
D329,096 S \* 9/1992 Herring ..... D24/226  
D380,554 S \* 7/1997 Leiva et al. .... D24/224  
D384,164 S \* 9/1997 Leiva et al. .... D24/223  
D430,939 S \* 9/2000 Zukor et al. .... D24/216  
D473,318 S \* 4/2003 Barbera-Guillem ..... D24/225  
D491,273 S \* 6/2004 Biegler et al. .... D24/216  
D547,879 S \* 7/2007 Lee ..... D24/223

**1 Claim, 10 Drawing Sheets**



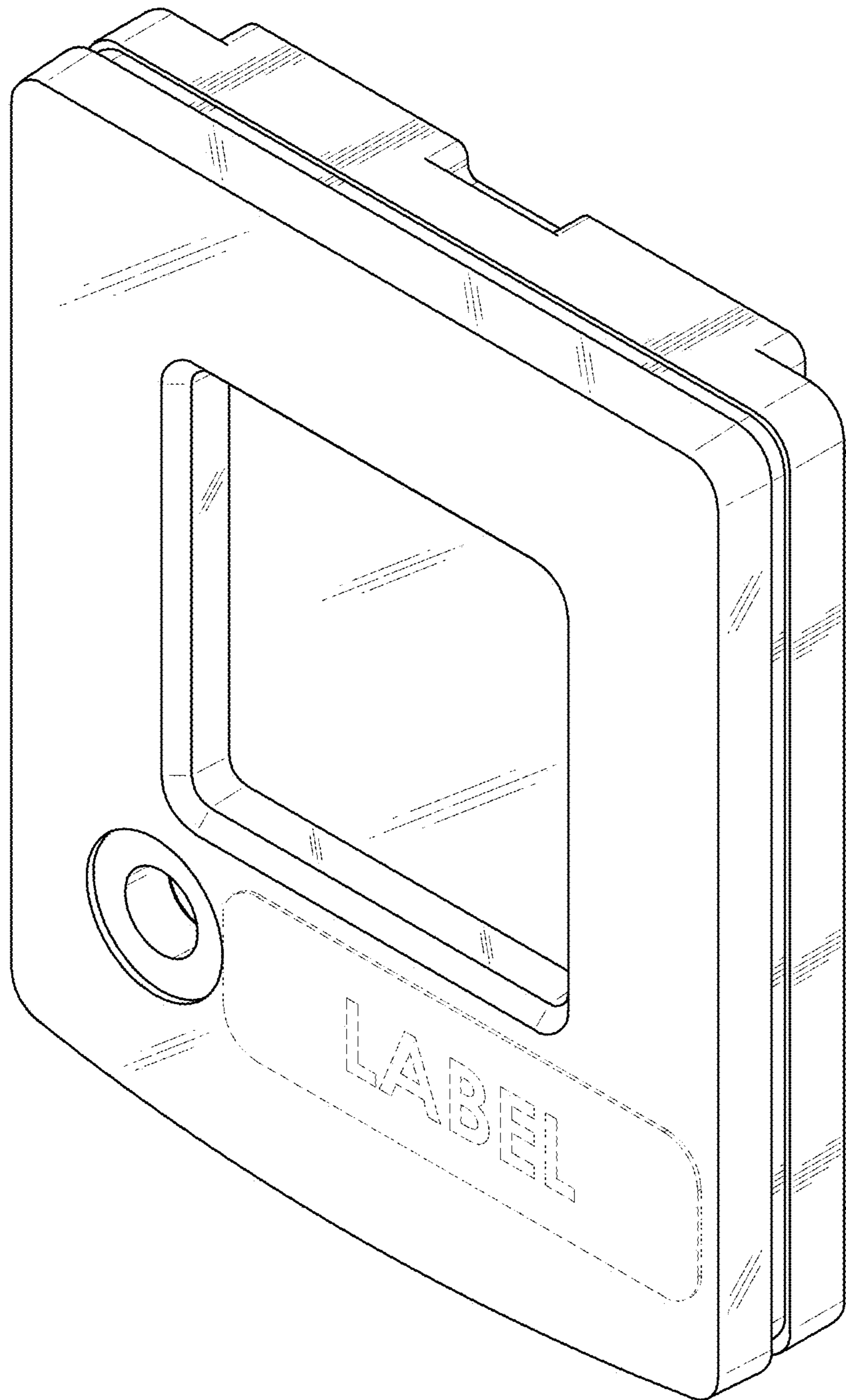


FIG. 1

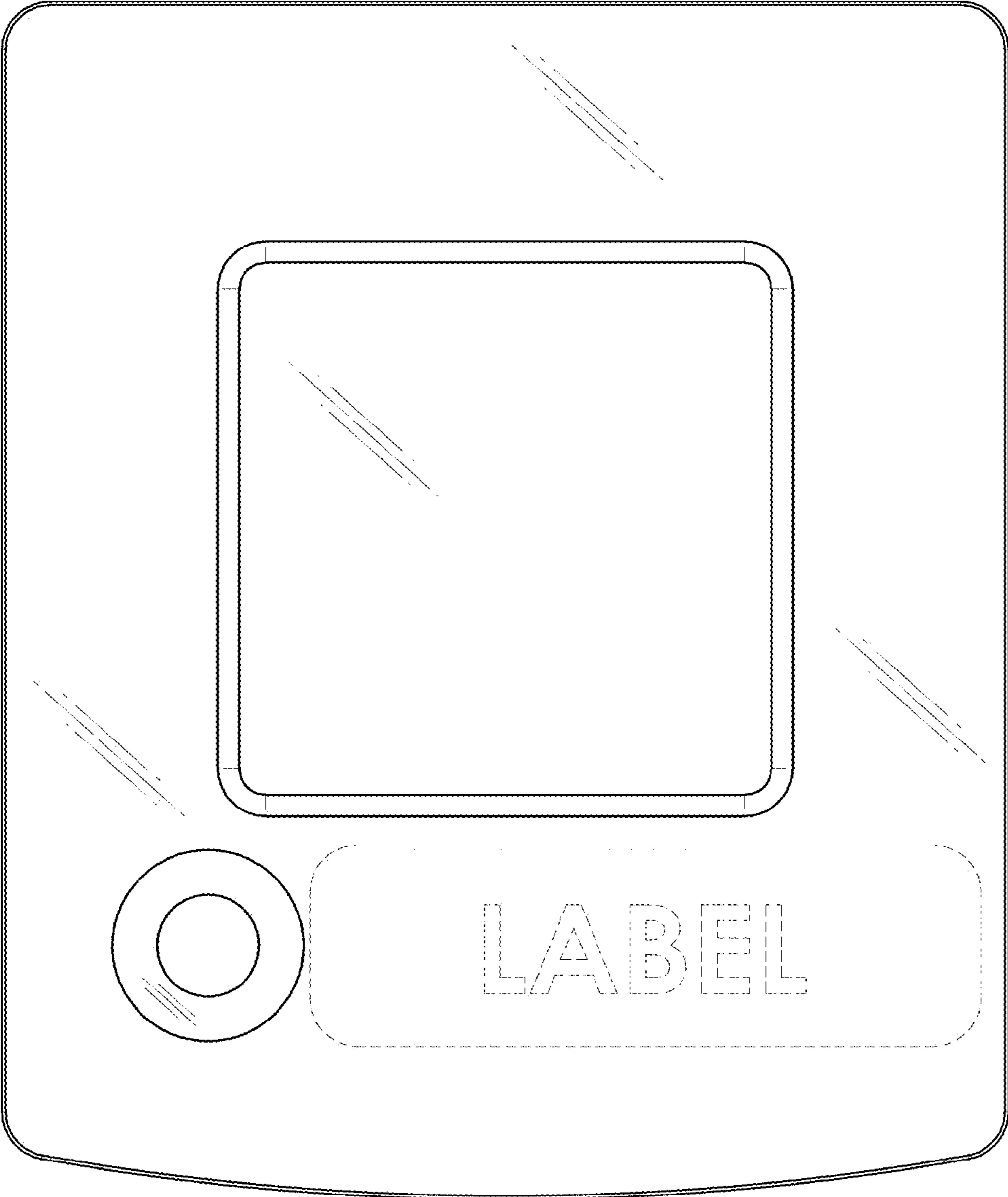


FIG. 2

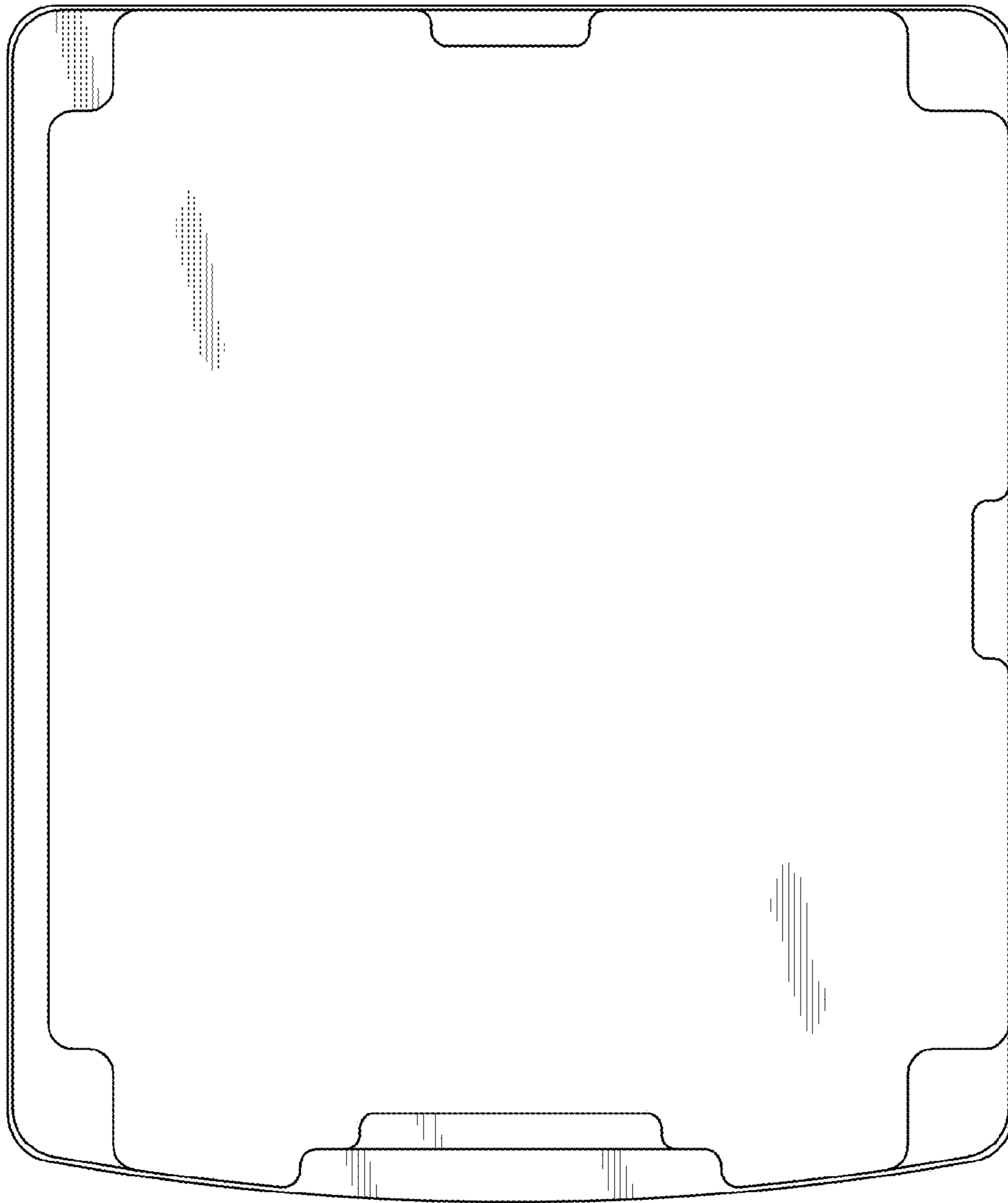


FIG. 3

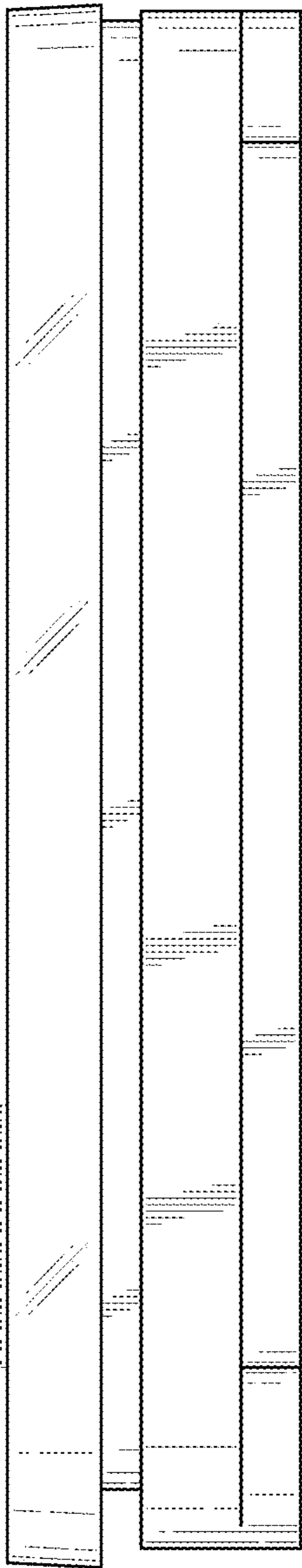


FIG. 4

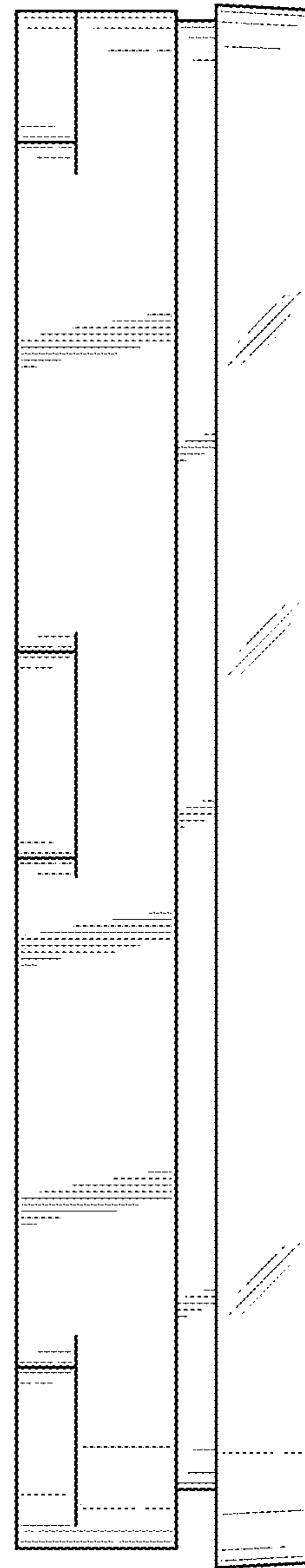


FIG. 5

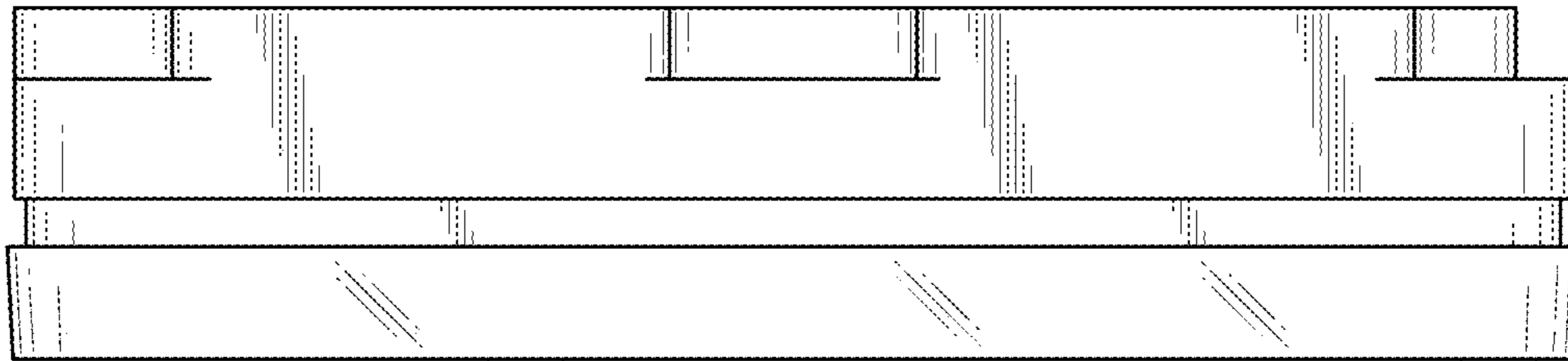


FIG. 6

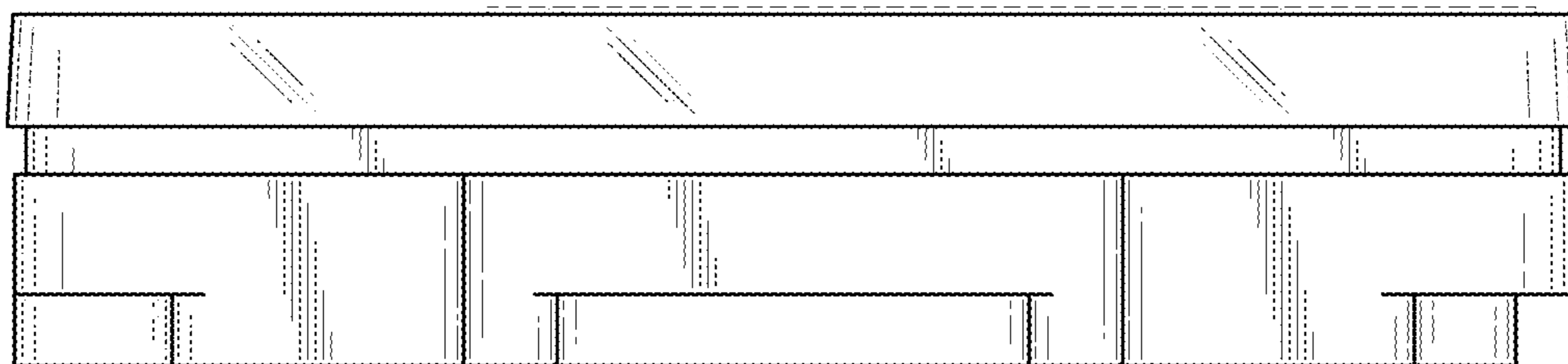


FIG. 7



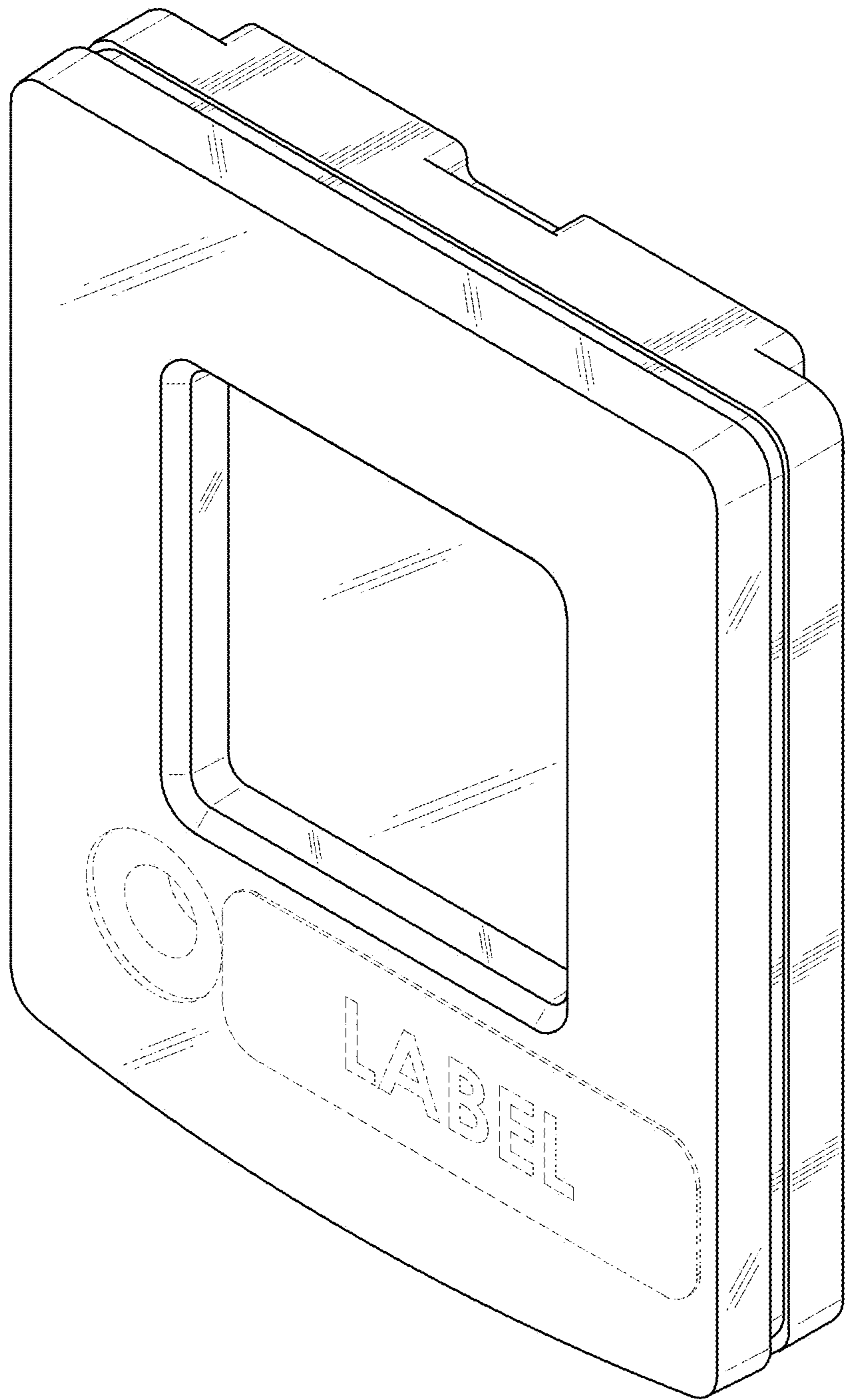


FIG. 8

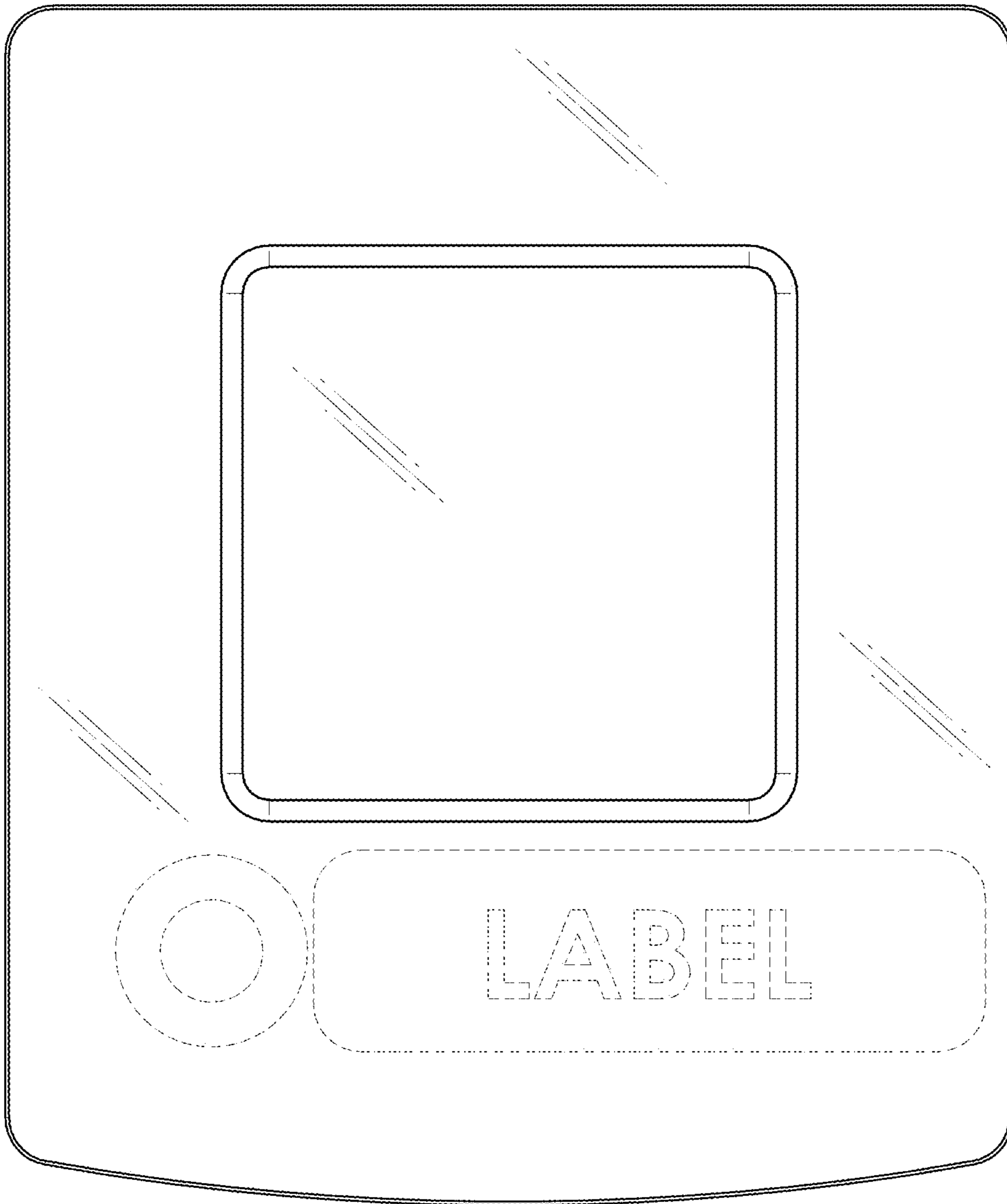


FIG. 9



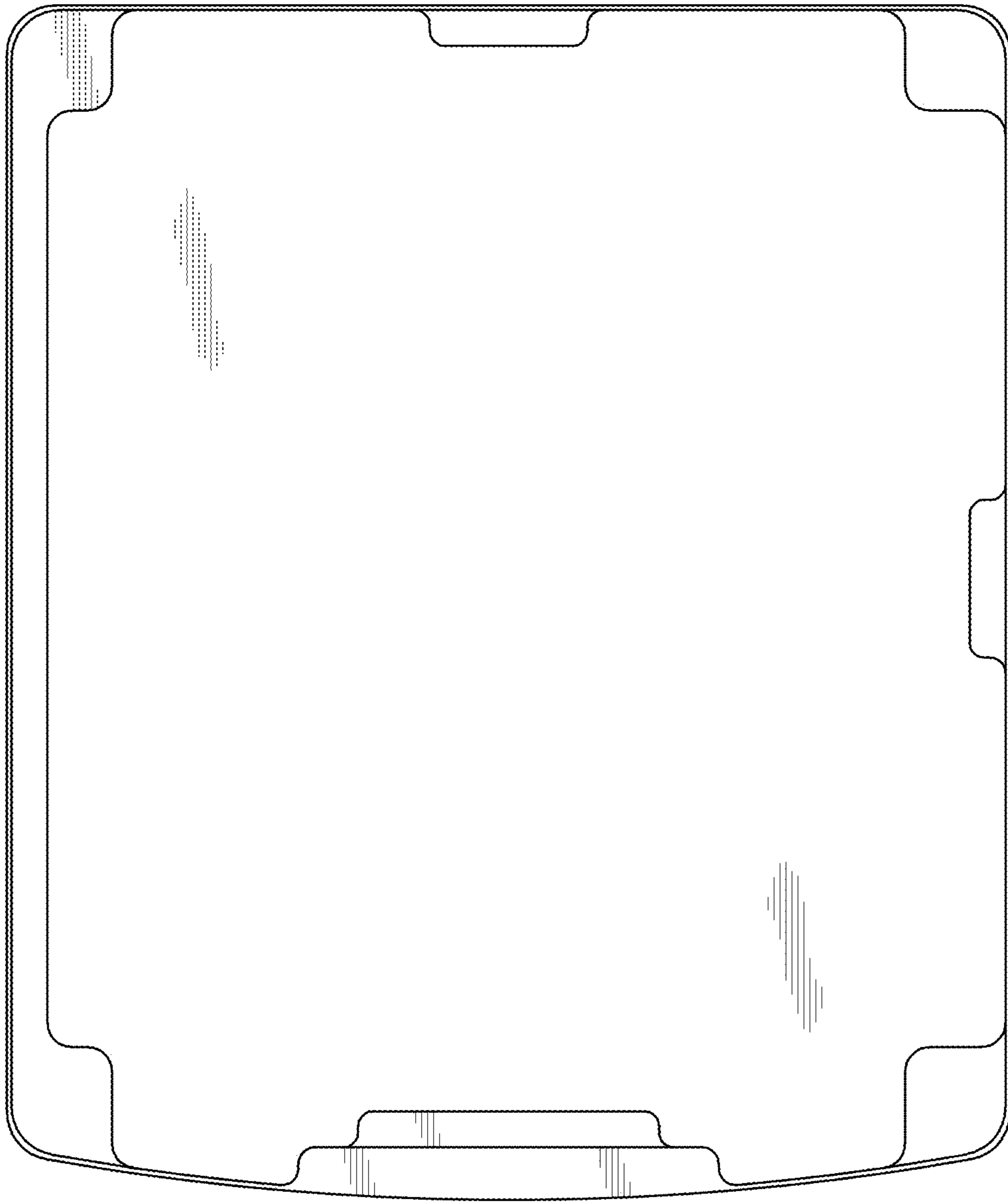


FIG. 10

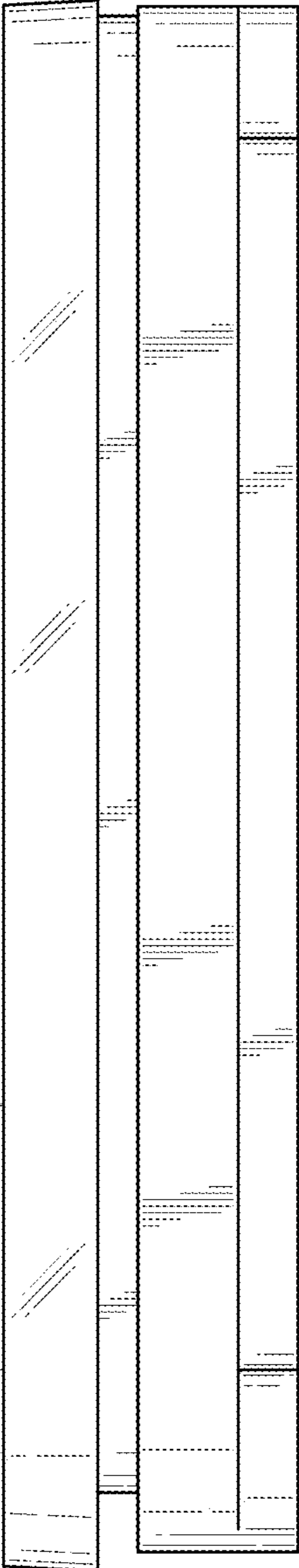


FIG. 11

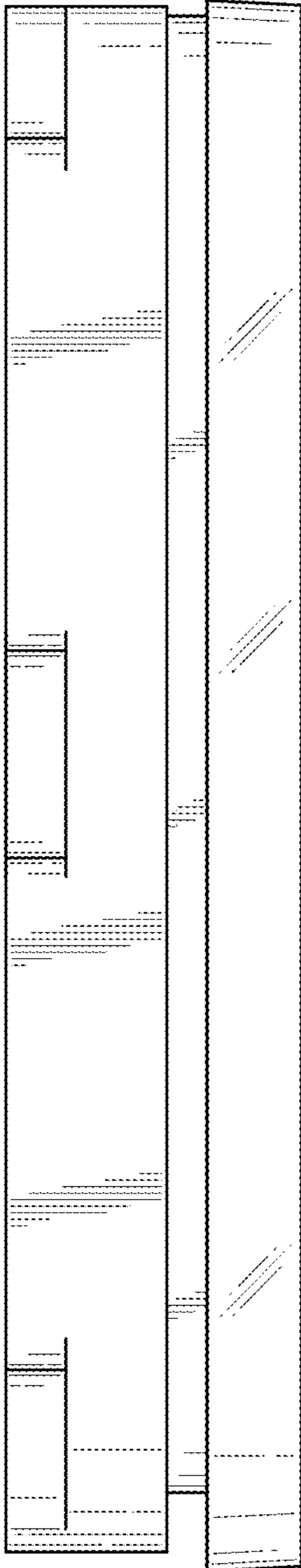


FIG. 12

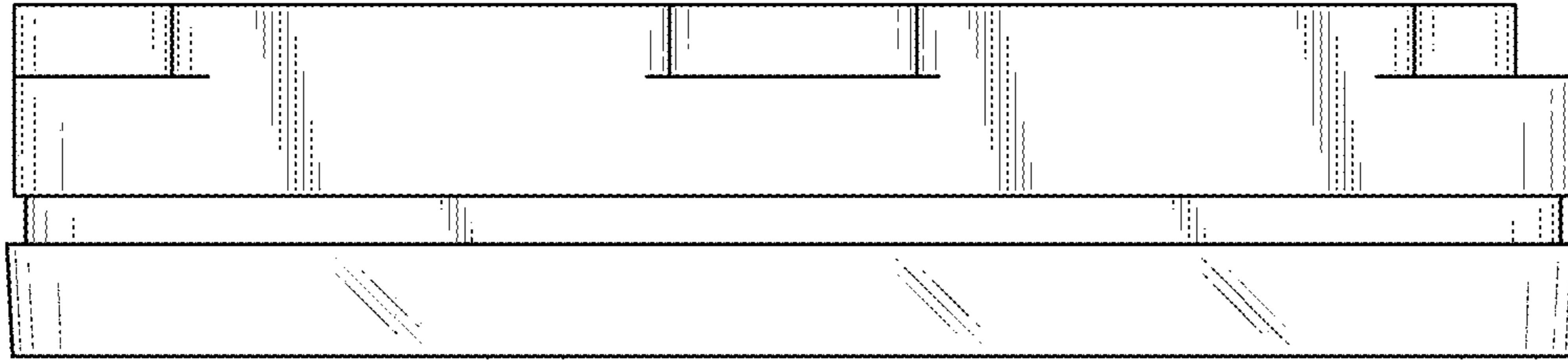


FIG. 13

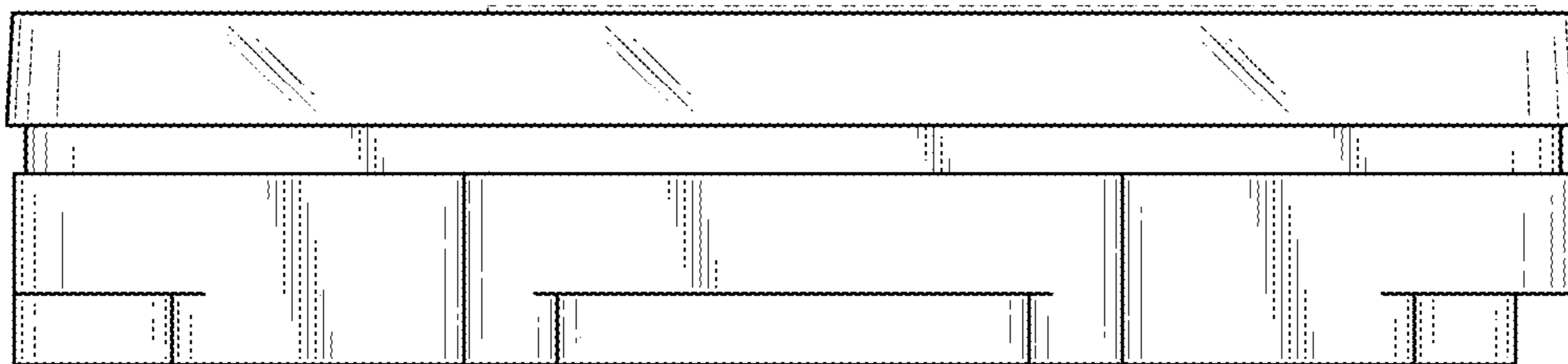


FIG. 14