



US00D722382S

(12) **United States Design Patent**
Lee et al.

(10) **Patent No.:** **US D722,382 S**
(45) **Date of Patent:** **** Feb. 10, 2015**

(54) **PLANTAR FASCIITIS SUPPORT**
(71) Applicants: **Chen-Yi Lee**, Taipei (TW); **Hao-Husan Huang**, Taipei (TW)
(72) Inventors: **Chen-Yi Lee**, Taipei (TW); **Hao-Husan Huang**, Taipei (TW)
(73) Assignee: **Benchmark Brands, Inc.**, Norcross, GA (US)

(**) Term: **14 Years**
(21) Appl. No.: **29/444,570**
(22) Filed: **Jan. 31, 2013**

(51) **LOC (10) Cl.** **24-01**
(52) **U.S. Cl.**
USPC **D24/192**
(58) **Field of Classification Search**
CPC A61F 5/0111; A61F 13/065; A61F 13/066
USPC D24/190, 192; 602/5, 6, 7, 16, 23, 27,
602/28, 60, 61, 62, 65, 66; 128/882
See application file for complete search history.

(56) **References Cited**

U.S. PATENT DOCUMENTS

1,351,248	A	8/1920	Hill	
1,441,907	A	11/1920	Bernstein	
1,595,087	A	11/1922	Gibson	
1,638,842	A	9/1924	George	
1,717,609	A	5/1925	Ludwig	
4,597,395	A *	7/1986	Barlow et al.	602/27
4,729,370	A *	3/1988	Kallassy	602/65
5,090,404	A	2/1992	Kallassy	
5,472,414	A *	12/1995	Detty	602/27
5,620,413	A *	4/1997	Olson	602/65
5,676,641	A	10/1997	Arensdorf et al.	
D397,797	S *	9/1998	Chiang	D24/192
5,899,872	A *	5/1999	Gilmour	602/65
D454,200	S *	3/2002	Lamping et al.	D24/192
D482,792	S *	11/2003	McCormick et al.	D24/192
6,641,550	B1	11/2003	Johnson	

6,929,617	B2 *	8/2005	McCormick et al.	602/65
D515,217	S	2/2006	Machin et al.	
2001/0041855	A1 *	11/2001	Voskuilen	602/65
2007/0049856	A1 *	3/2007	Arensdorf	602/27
2007/0149908	A1	6/2007	Gordon	
2009/0192428	A1	7/2009	DeBoer et al.	
2012/0136293	A1	5/2012	Oosawa	
2012/0283611	A1 *	11/2012	Matsuo et al.	602/27

OTHER PUBLICATIONS

http://www.hammacher.com_Product_76418?cm_cat=ProductSEM&cm_pla=AdWordsPLA&source=PRODSEM, website visited Oct. 3, 2012.
http://www.feelgoodstore.com/cgi-bin/feelgood/eseach.html?keywords=0736...6GOOG22A&days=XVQ&cm_mmc=PaidSearch-_-GooglePLA-_-FreeShip-_-07361000000, website visited Oct. 3, 2012.

* cited by examiner

Primary Examiner — Eric Goodman
Assistant Examiner — Jennifer Watkins
(74) *Attorney, Agent, or Firm* — Pearne & Gordon LLP

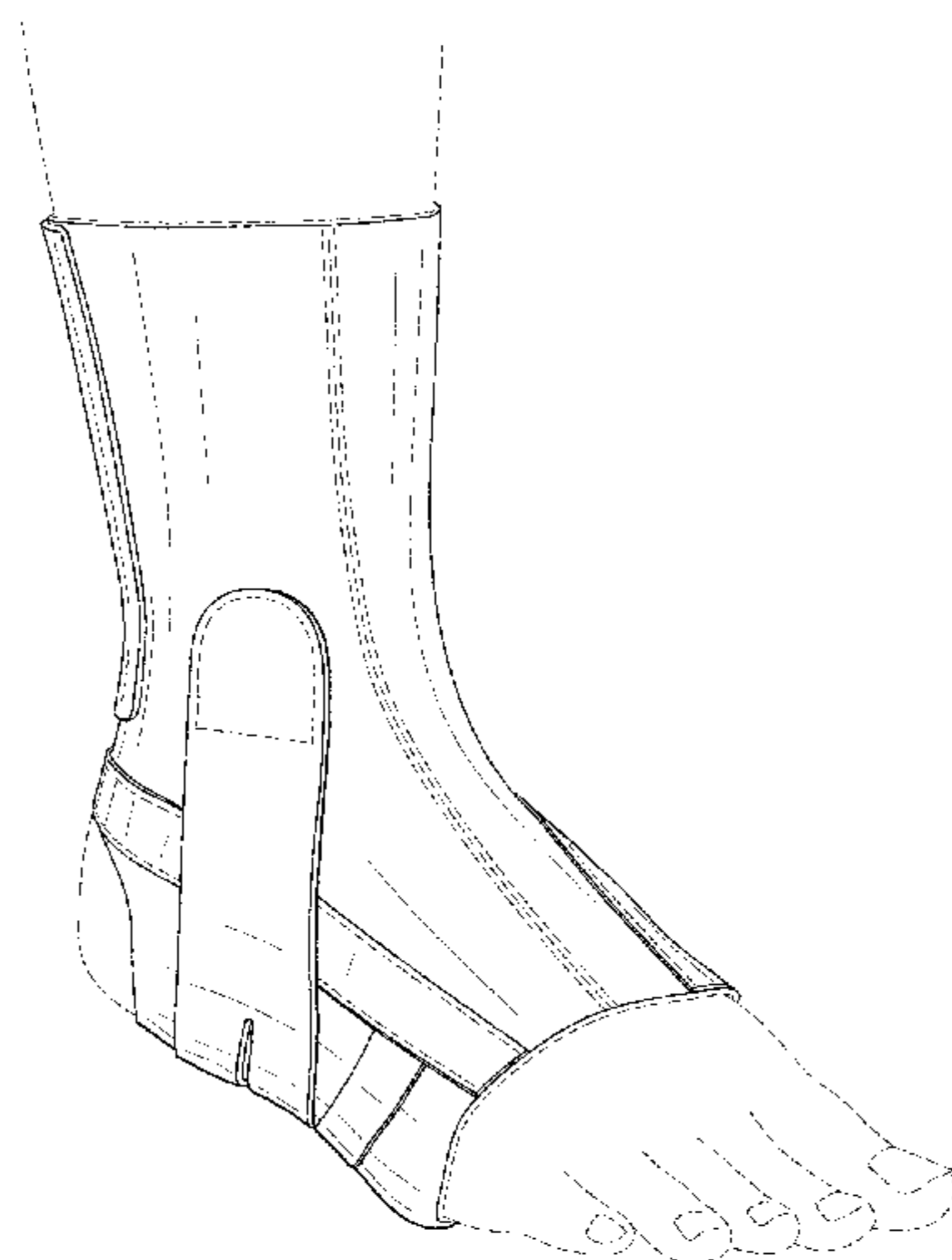
(57) **CLAIM**

The ornamental design for a plantar fasciitis support, as shown and described.

DESCRIPTION

FIG. 1 is a perspective view of my new design for a plantar fasciitis support in a condition of use on a human foot; FIG. 2 is a front view of my new design; FIG. 3 is a right side view thereof; FIG. 4 is a top view thereof; FIG. 5 is a rear view thereof; FIG. 6 is a left side view thereof; FIG. 7 is a bottom view thereof; FIG. 8 is a flattened left side view thereof, with straps arranged in unfastened positions; and, FIG. 9 is a flattened right side view thereof, with straps arranged in unfastened positions.

1 Claim, 5 Drawing Sheets



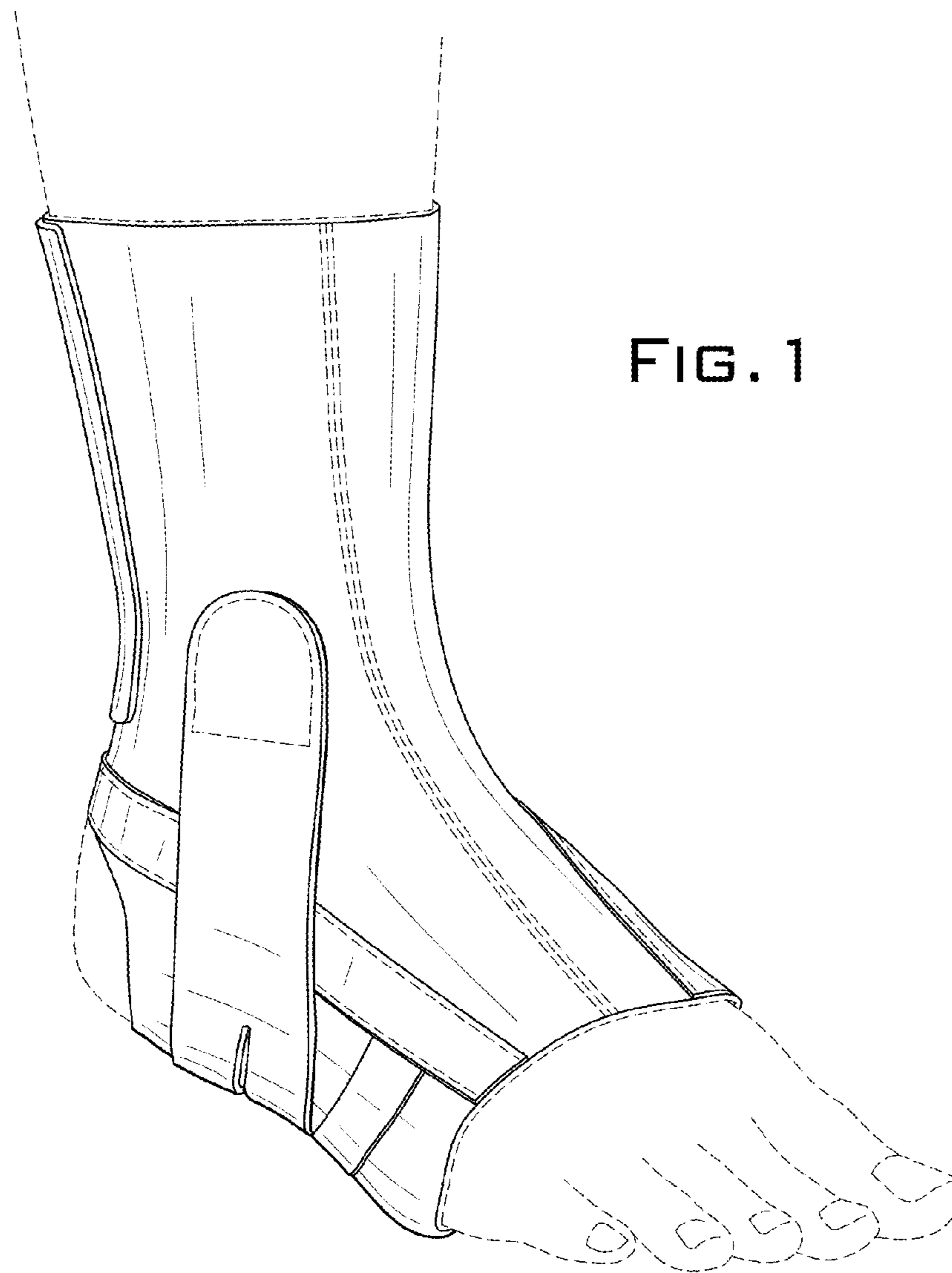


FIG. 1

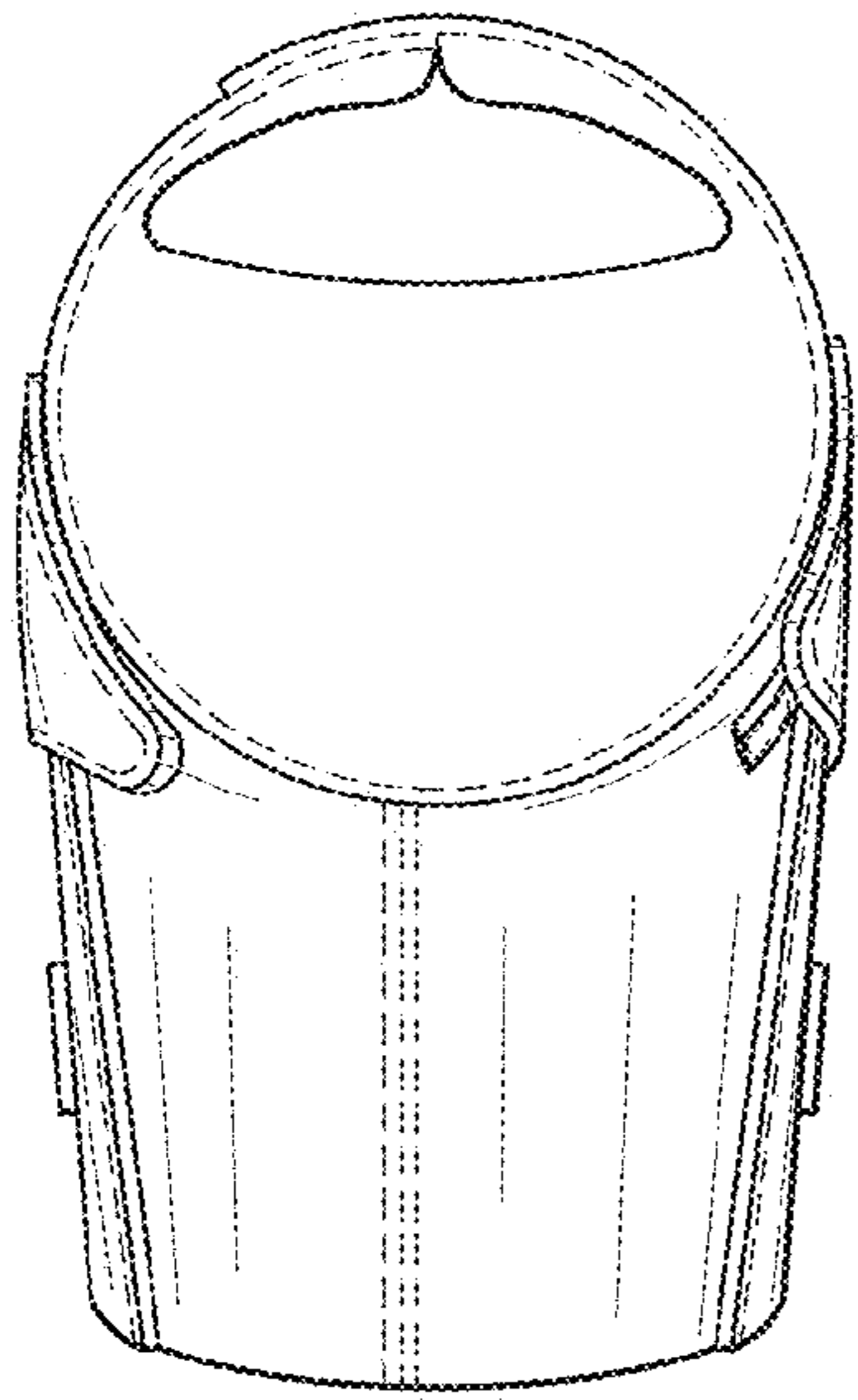


FIG. 4

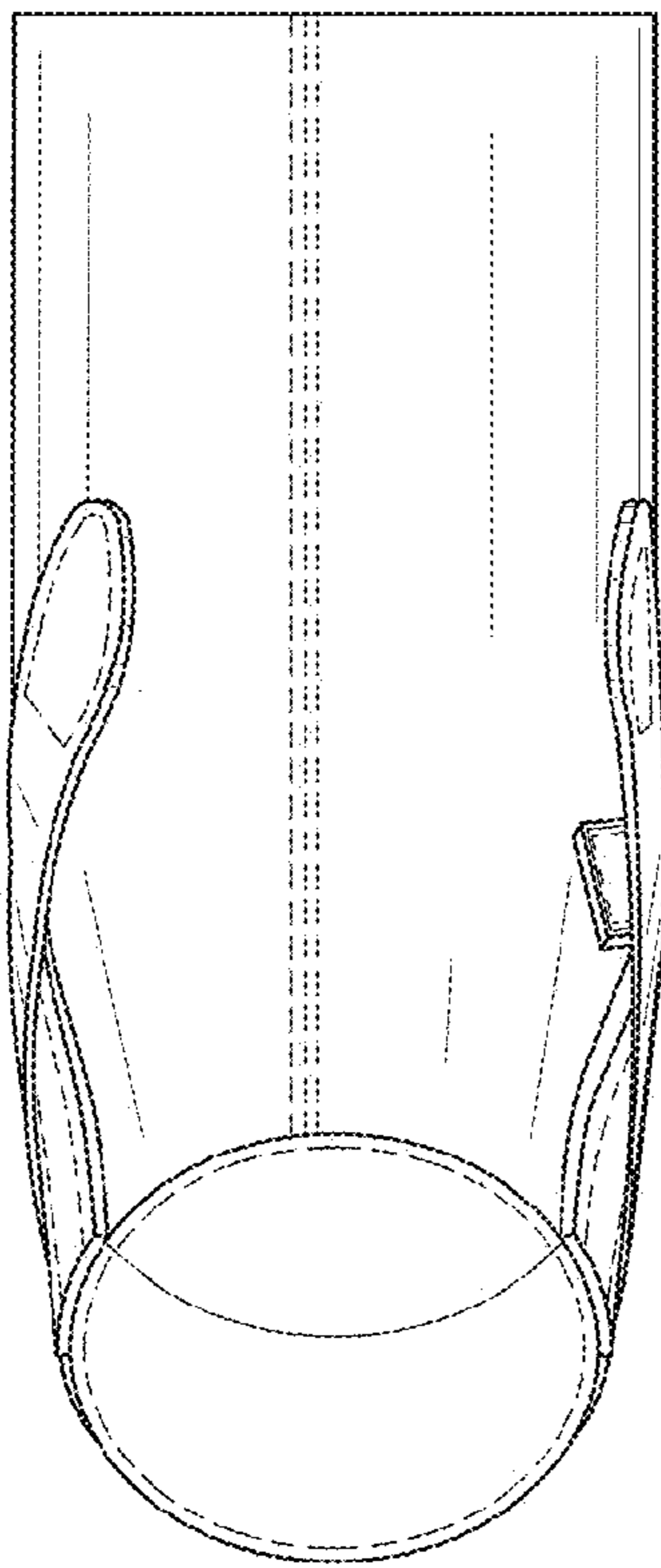


FIG. 2

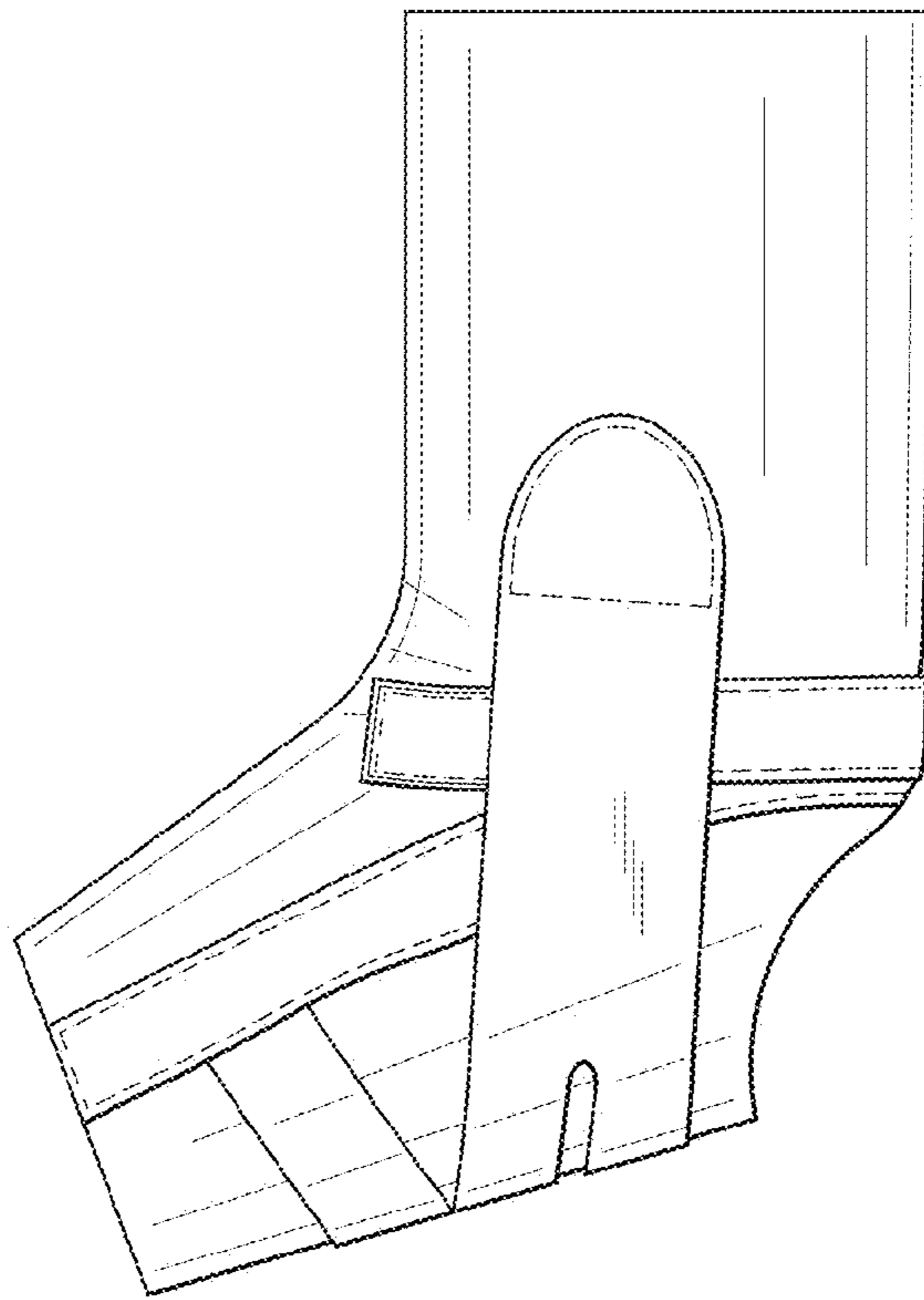


FIG. 3

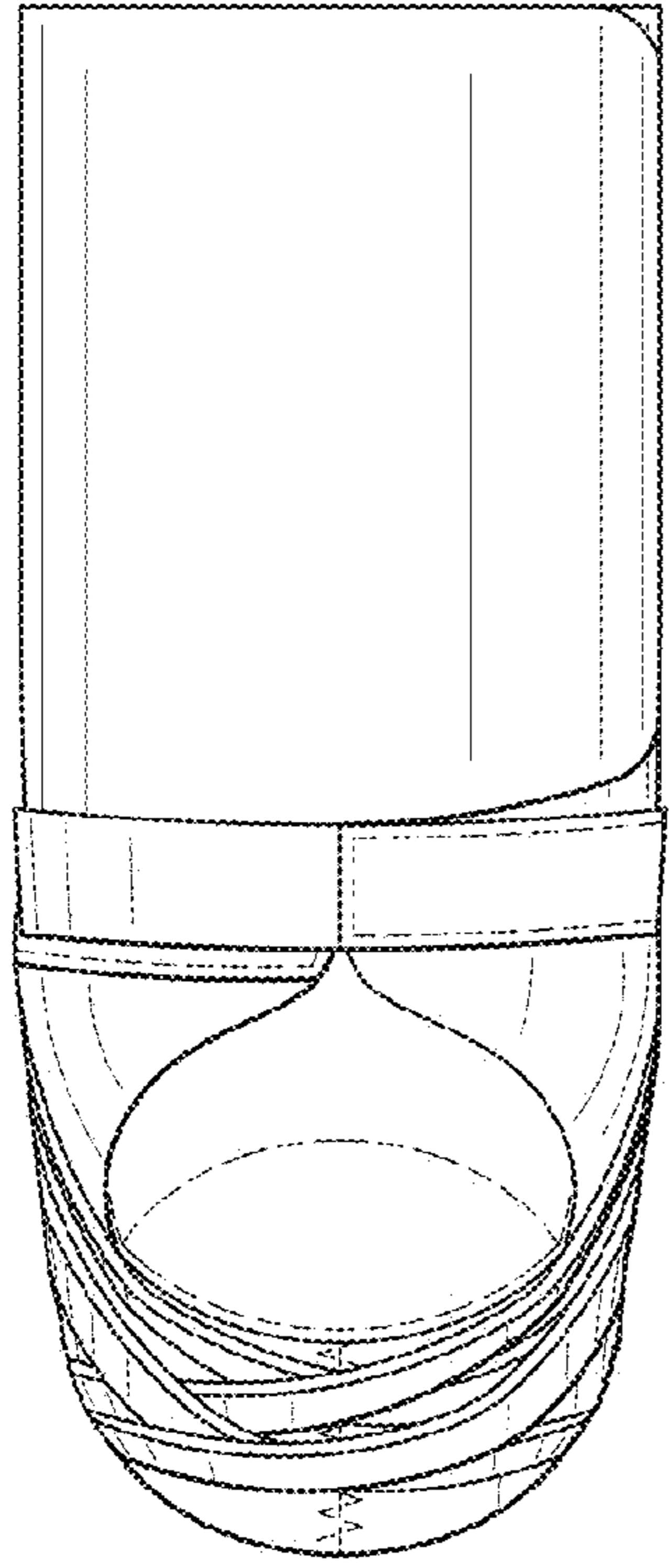


FIG. 5

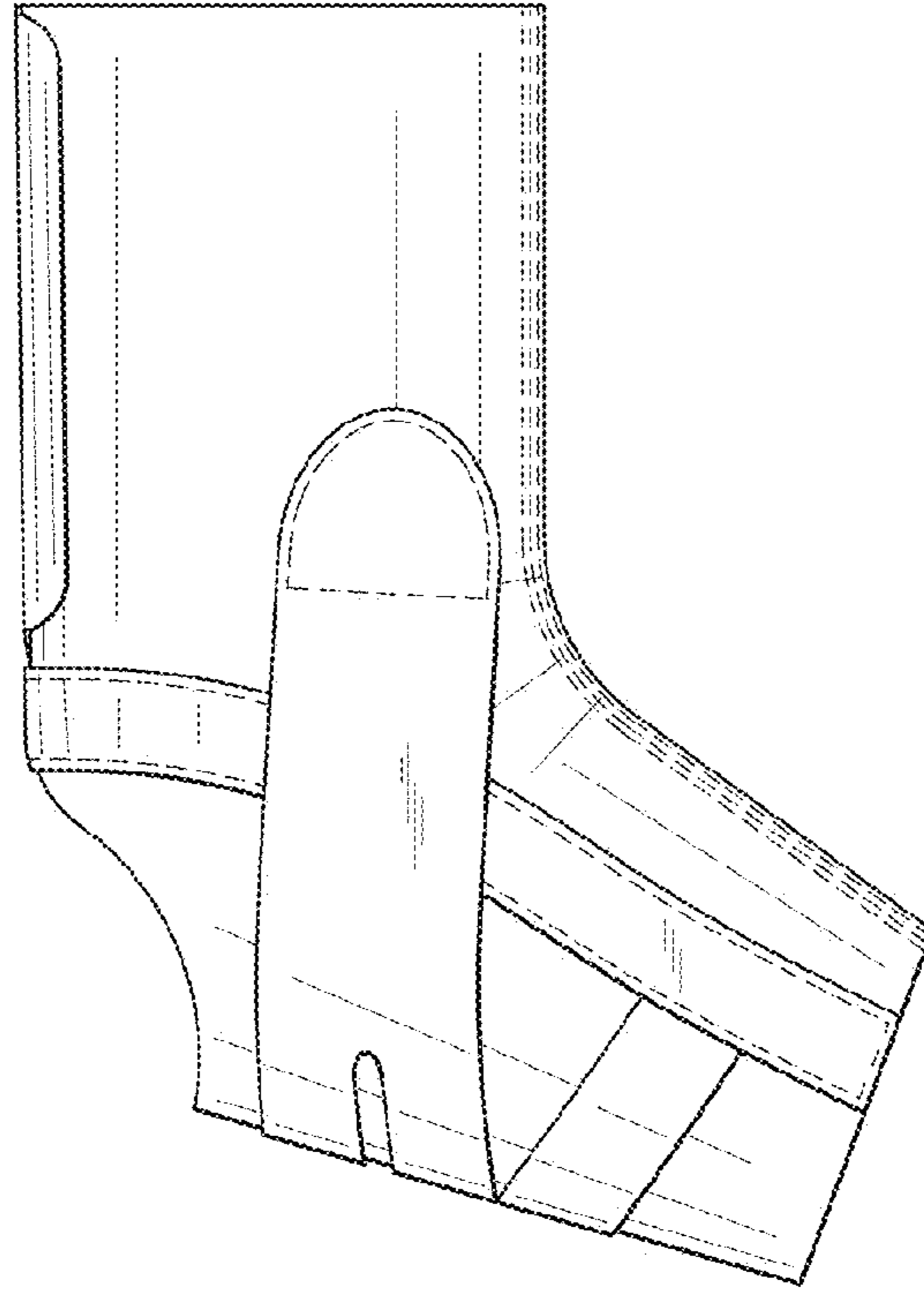


FIG. 6

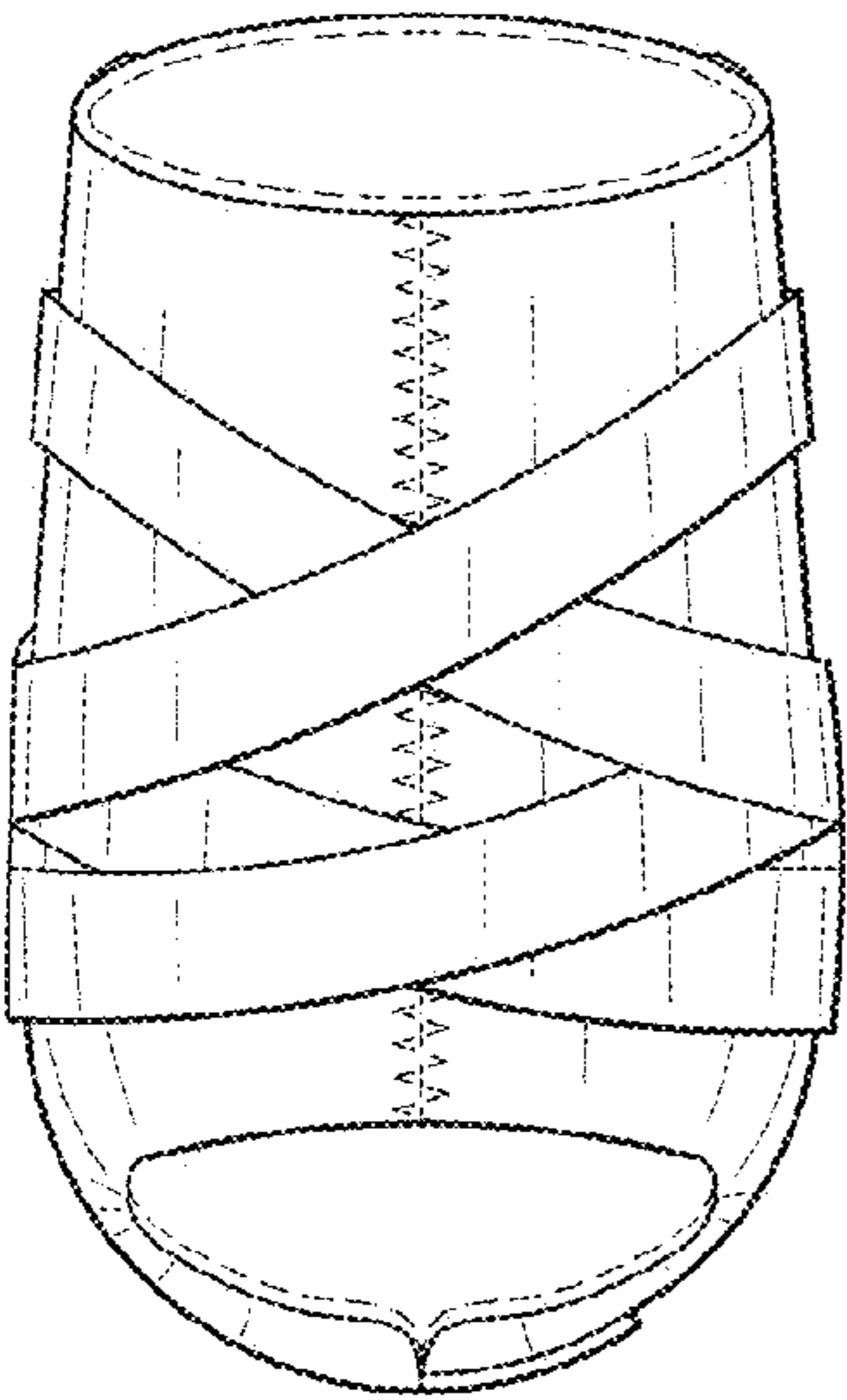


FIG. 7

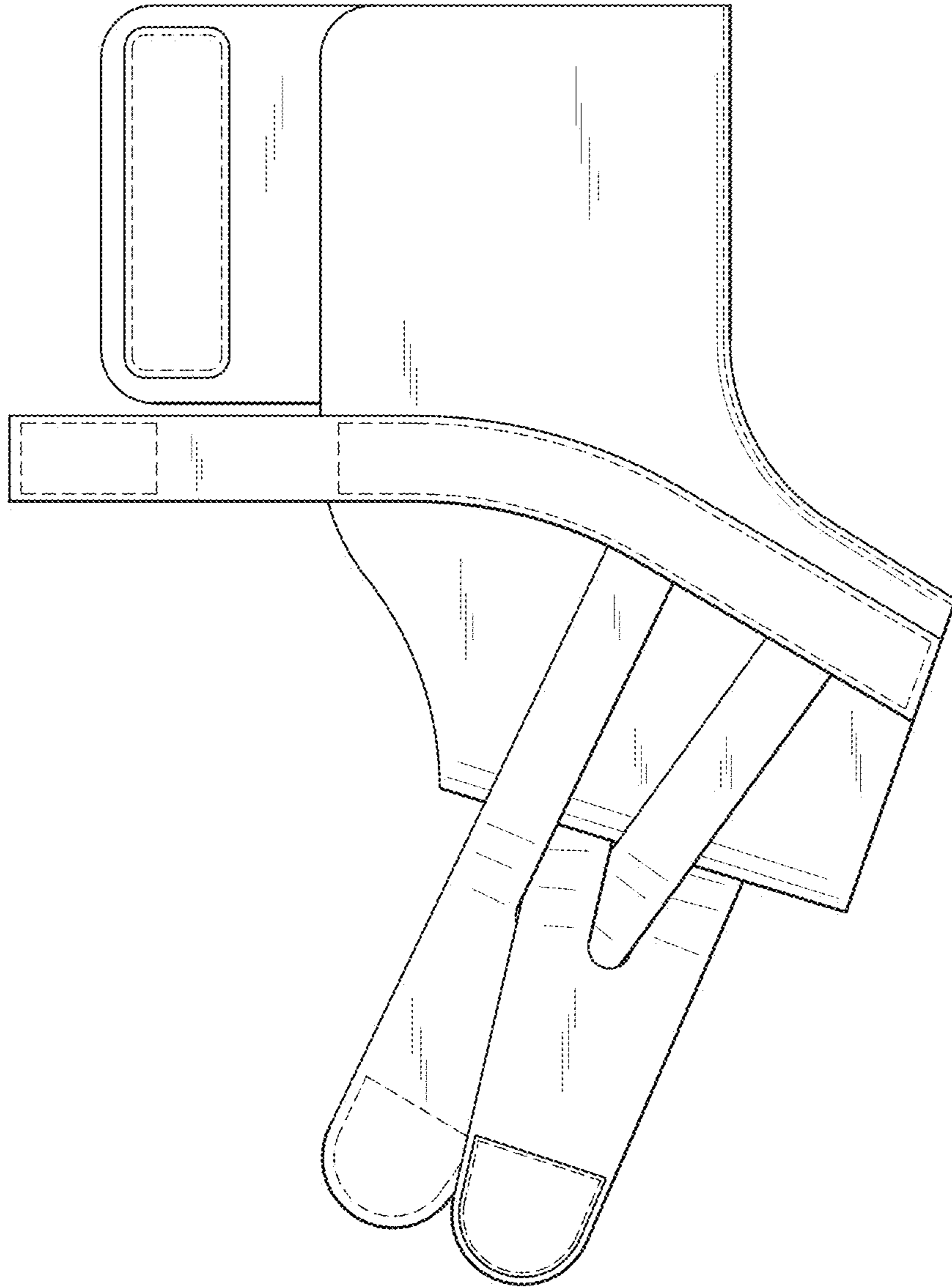


FIG. 8

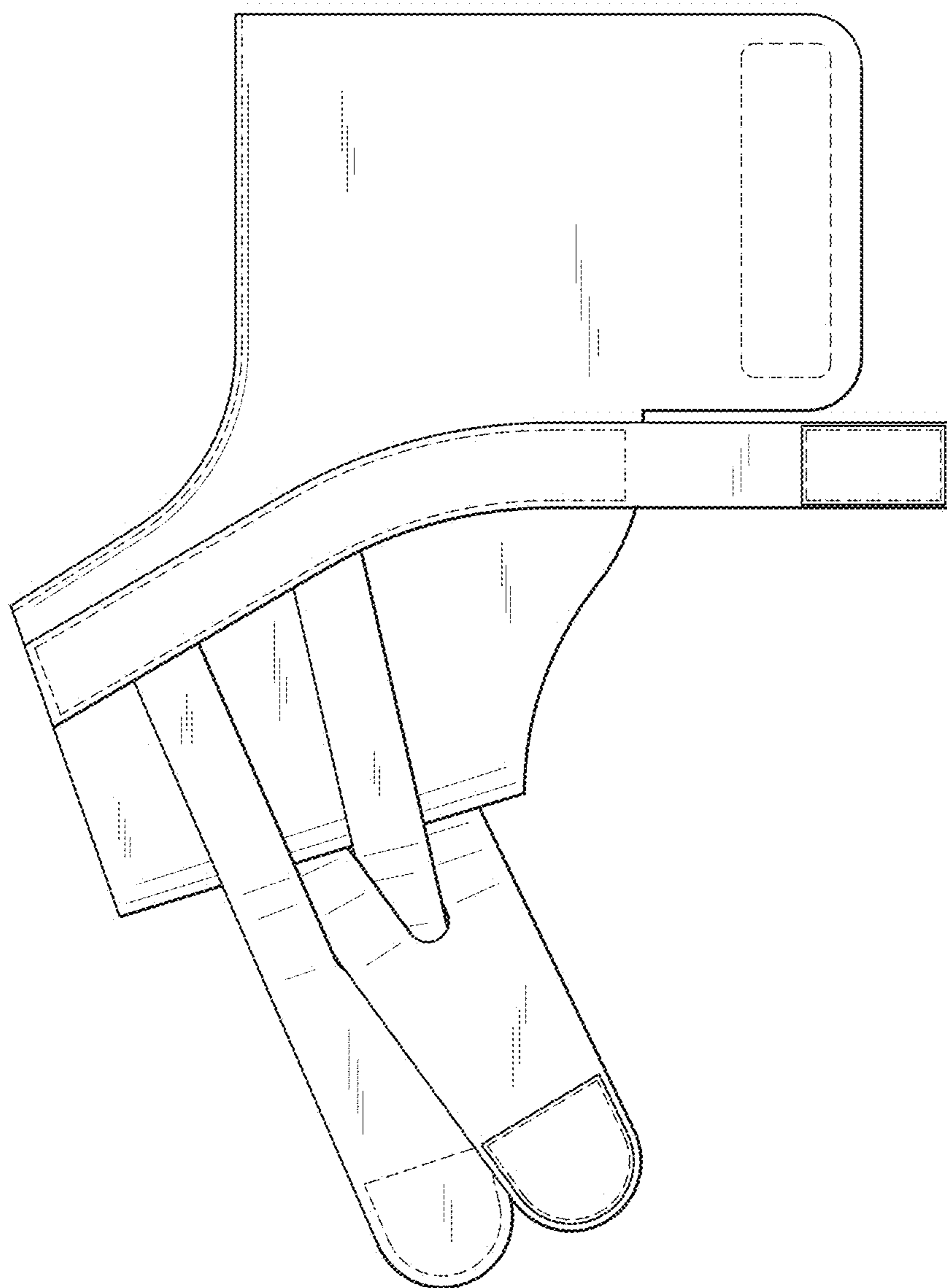


FIG. 9