

US00D722381S

(12) **United States Design Patent**
Mareguddi et al.

(10) **Patent No.:** **US D722,381 S**

(45) **Date of Patent:** **** *Feb. 10, 2015**

(54) **INFANT WARMER**

USPC D24/163, 164, 185, 202, 209, 231;
600/21, 22; 119/311; 128/202.12,
128/205.26

(71) Applicant: **Koninklijke Philips N.V.**, Eindhoven
(NL)

See application file for complete search history.

(72) Inventors: **Praveen Narayan Mareguddi**,
Bangalore Karnataka (IN); **Amit Kumar**
Singh, Gurgaon (IN); **Shaon Sengupta**,
Gurgaon Haryana (IN)

(56) **References Cited**

U.S. PATENT DOCUMENTS

(73) Assignee: **Koninklijke Philips N.V.**, Eindhoven
(NL)

D182,394	S	*	4/1958	Adolphson	D24/163
D240,768	S	*	7/1976	Beld et al.	D24/163
6,711,937	B2	*	3/2004	Richards et al.	600/22
D497,429	S	*	10/2004	Tetrault et al.	D24/163
D601,704	S	*	10/2009	Chilton et al.	D24/163
D604,416	S	*	11/2009	Chilton et al.	D24/163
D609,342	S	*	2/2010	Chen	D24/158
2010/0222638	A1	*	9/2010	Chilton, III	600/22

(*) Notice: This patent is subject to a terminal disclaimer.

* cited by examiner

(**) Term: **14 Years**

Primary Examiner — Anhdao Doan

(21) Appl. No.: **29/476,640**

(57) **CLAIM**

(22) Filed: **Dec. 16, 2013**

The ornamental design for a infant warmer, as shown.

(30) **Foreign Application Priority Data**

DESCRIPTION

Jun. 19, 2013 (EM) 002258491-0001

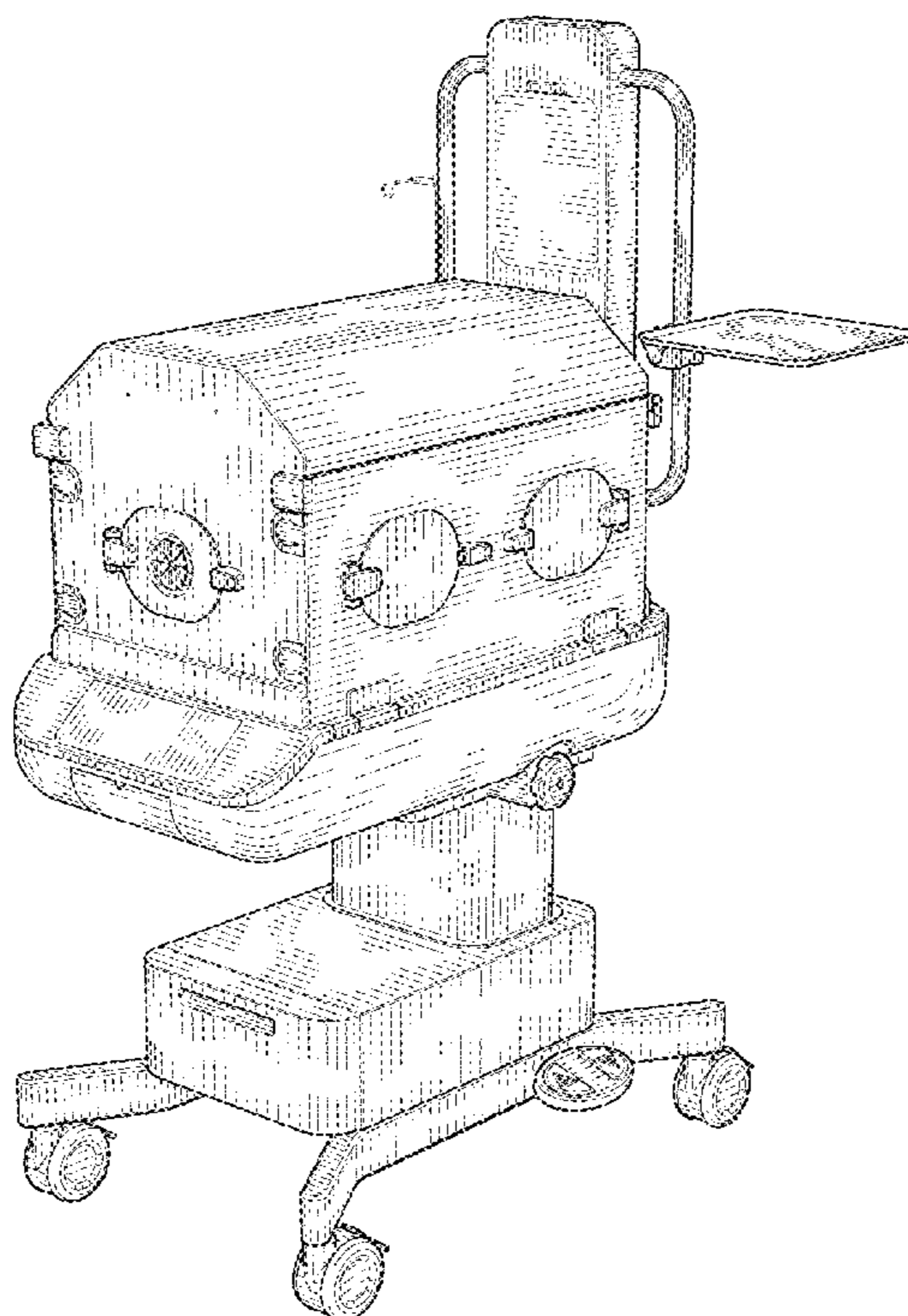
FIG. 1 is a perspective view showing my design;
FIG. 2 is a front elevational view thereof;
FIG. 3 is a rear elevational view thereof;
FIG. 4 is a right side elevational view thereof;
FIG. 5 is a left side elevational view thereof;
FIG. 6 is a top plan view thereof; and,
FIG. 7 is a bottom plan view thereof.

(51) **LOC (10) Cl.** **24-01**

(52) **U.S. Cl.**
USPC **D24/163**

(58) **Field of Classification Search**
CPC ... A61G 11/00; A61G 11/002; A61G 11/005;
A61G 11/009

1 Claim, 5 Drawing Sheets



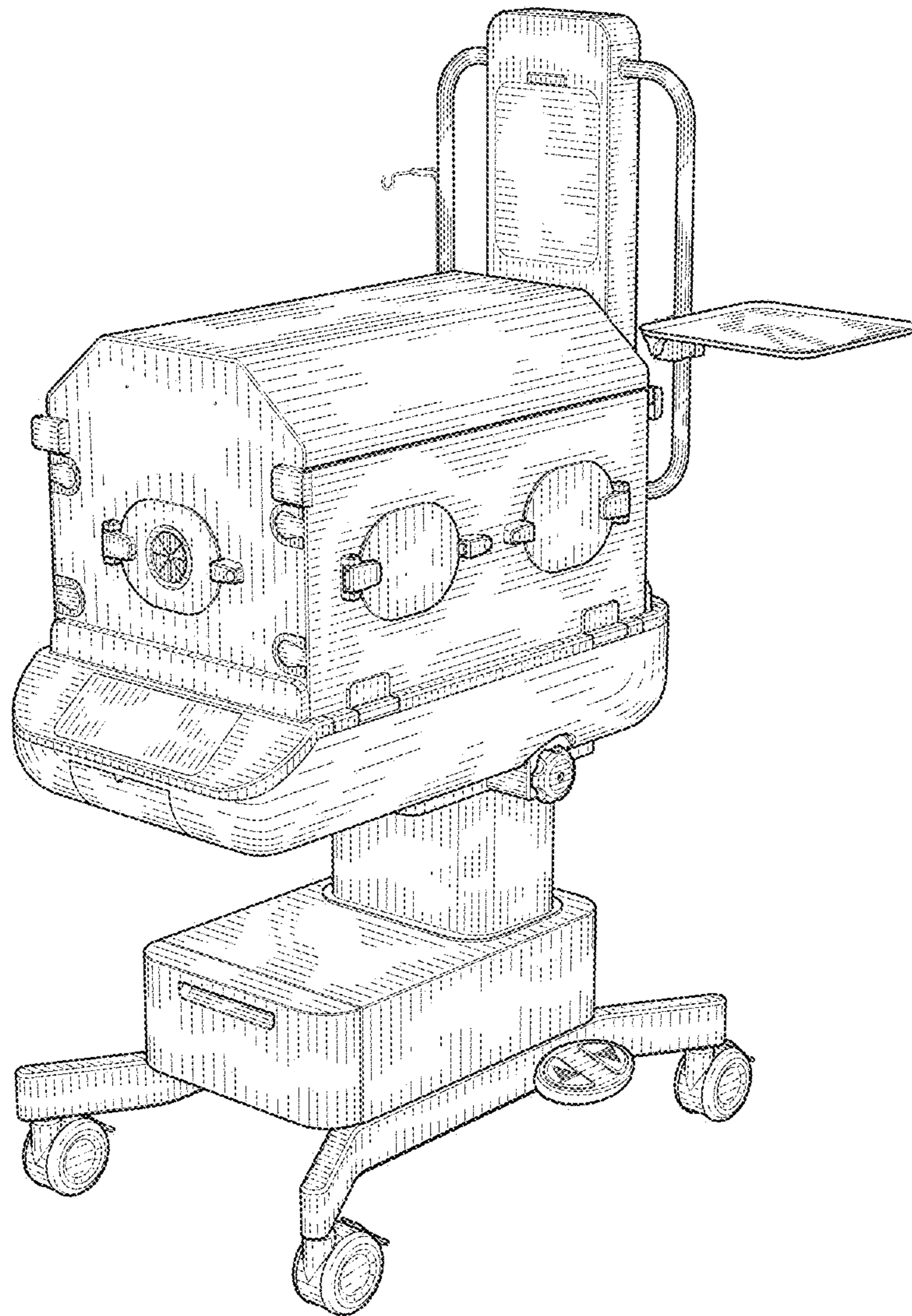


FIG. 1

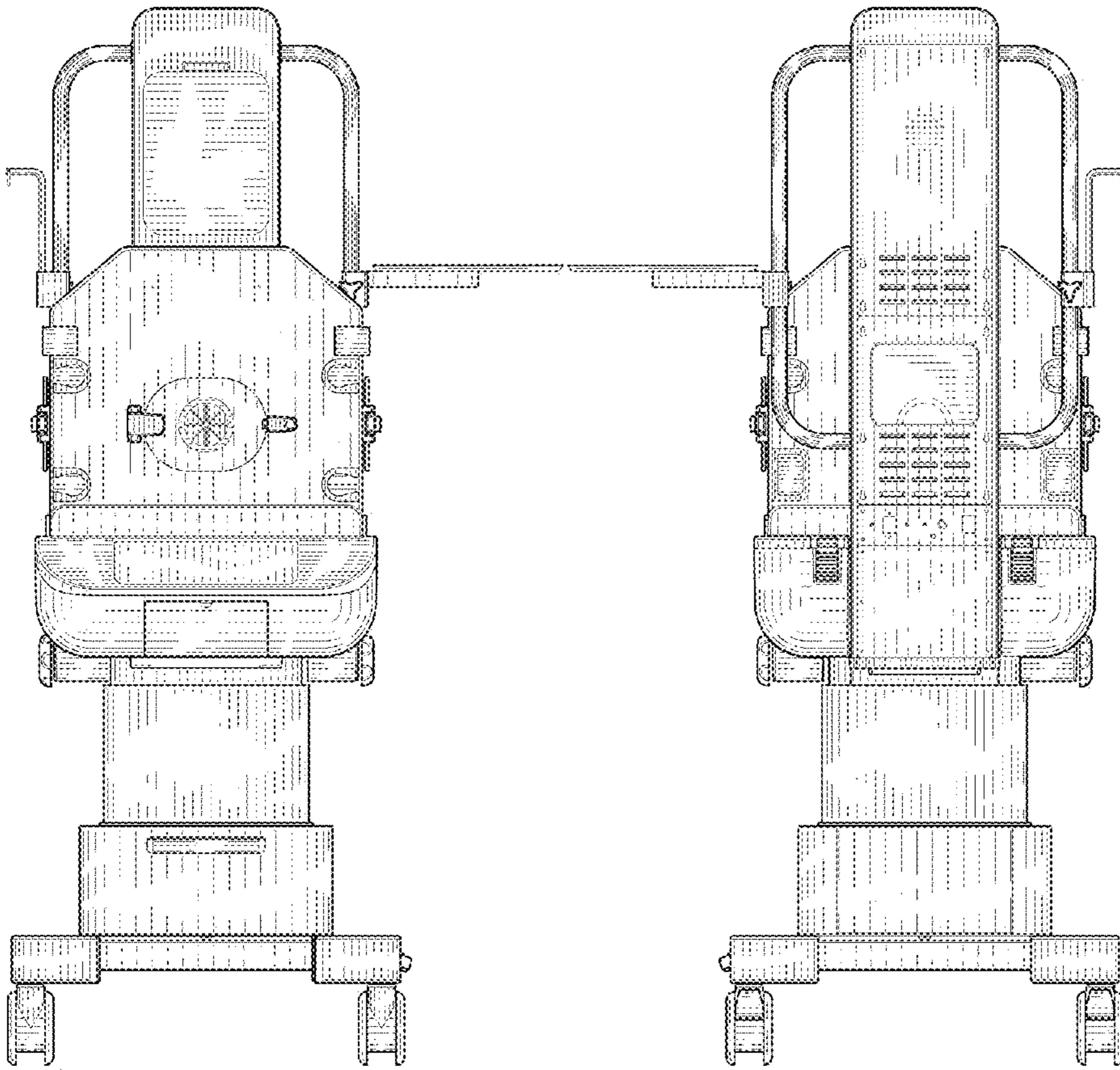


FIG. 2

FIG. 3

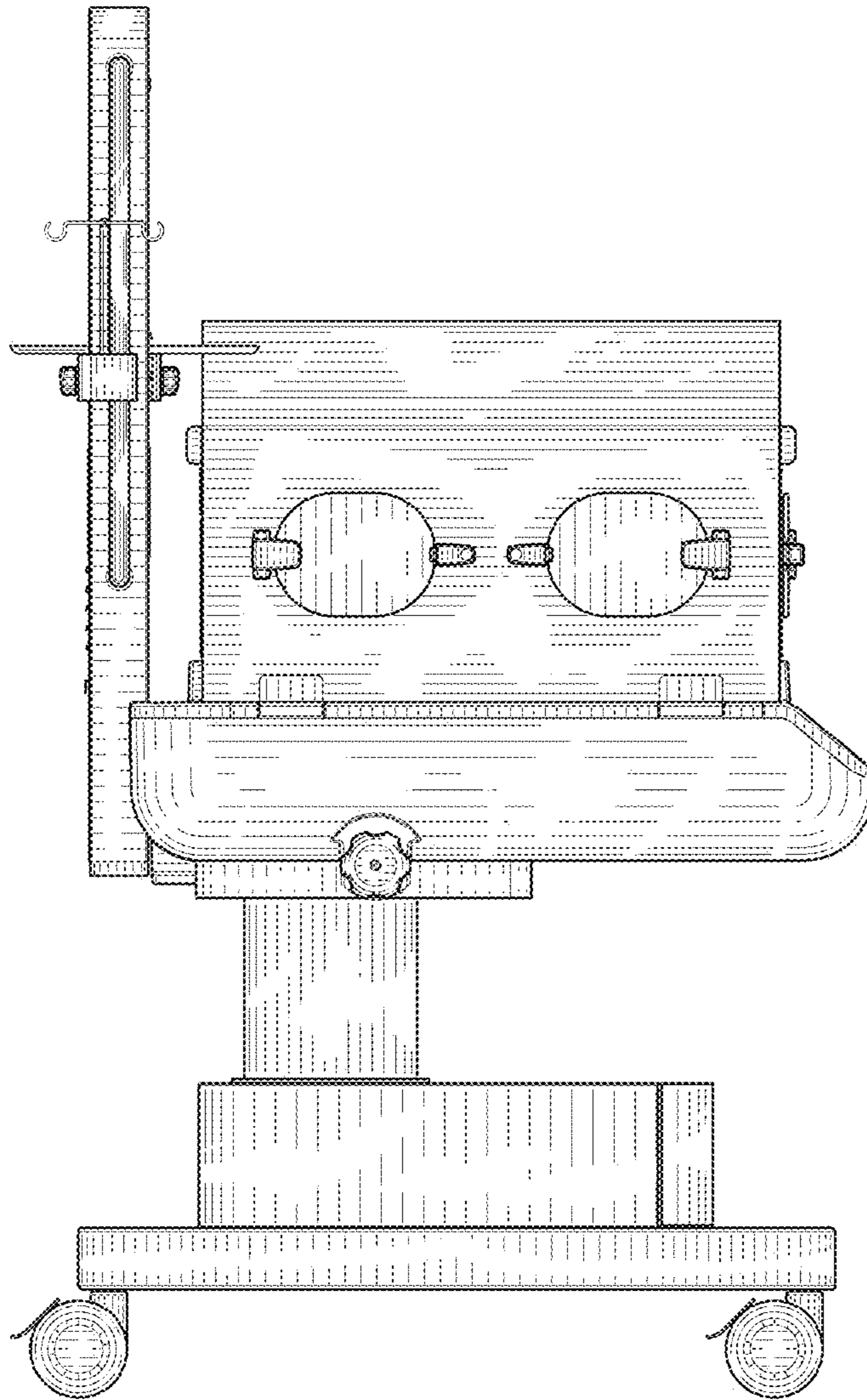


FIG. 4

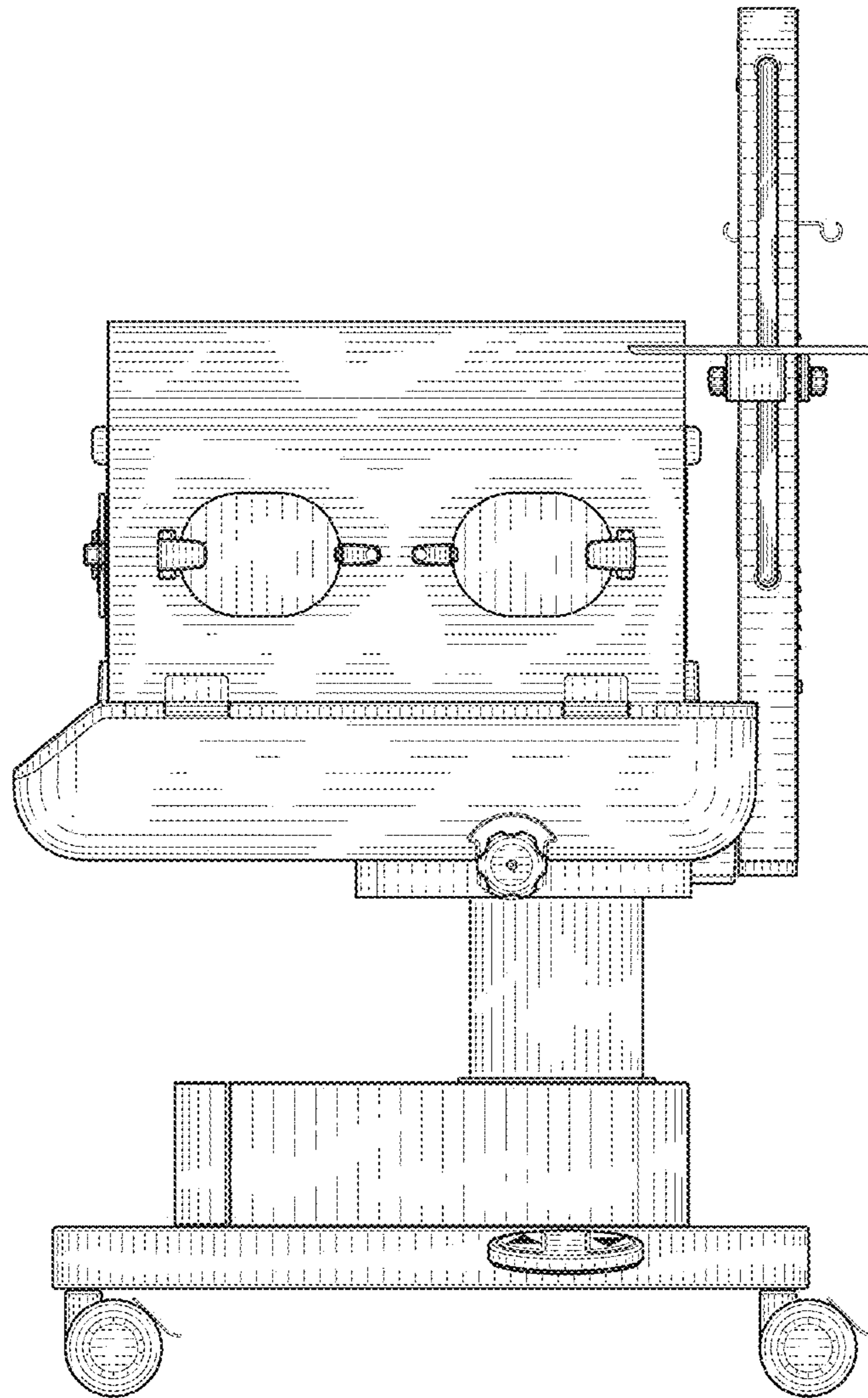


FIG. 5

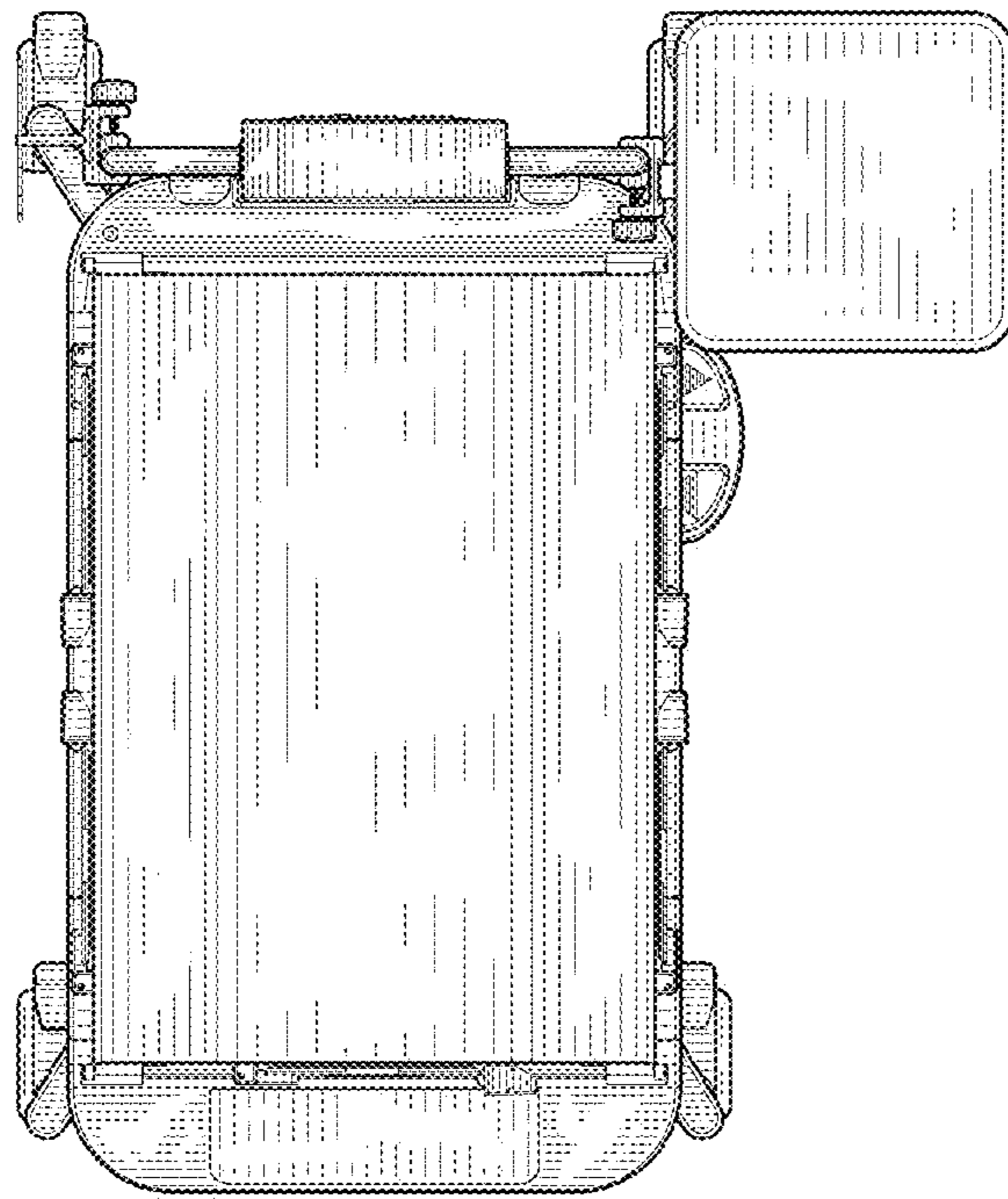


FIG. 6

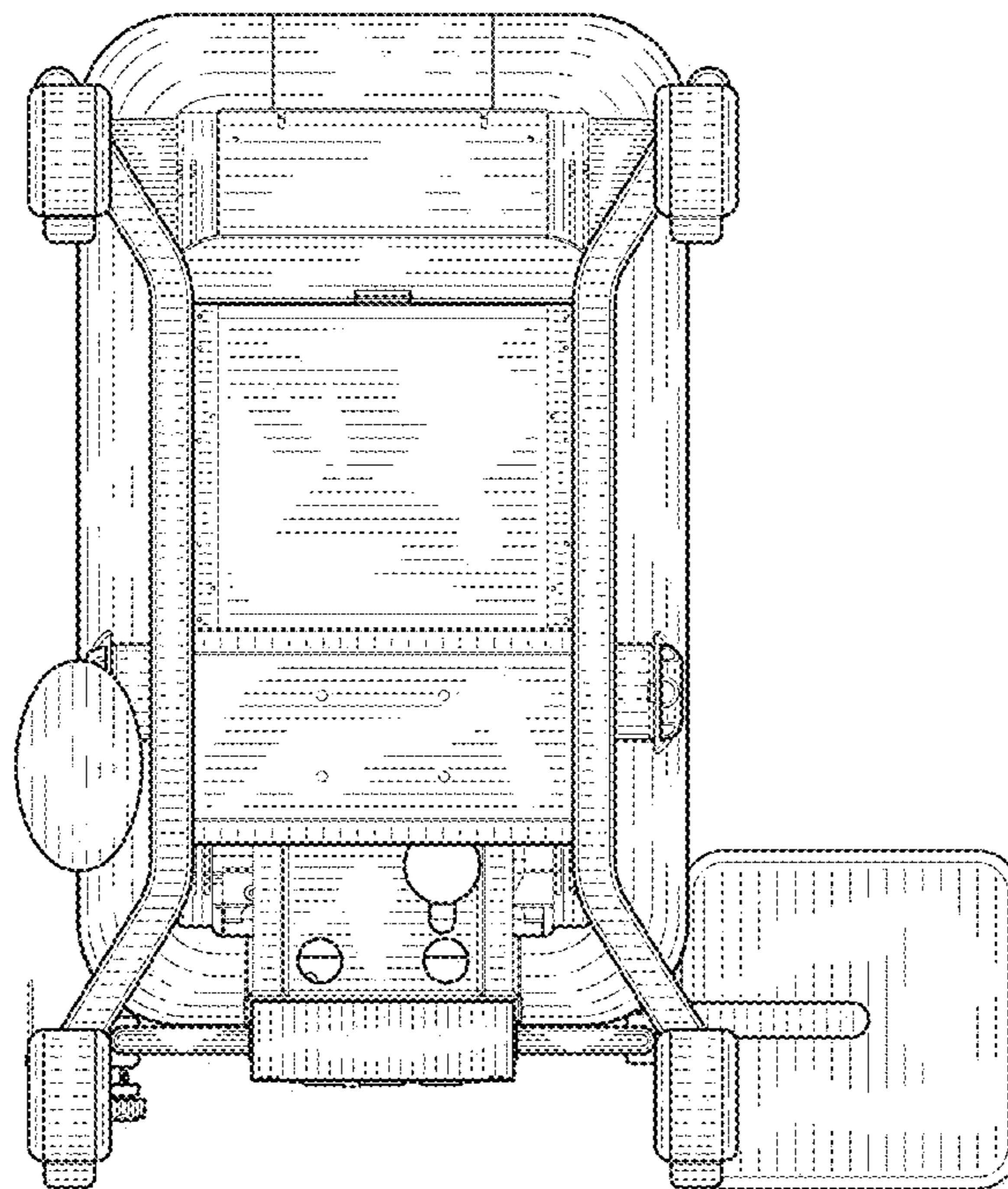


FIG. 7