



US00D722380S

(12) **United States Design Patent**
Palmer et al.

(10) **Patent No.:** **US D722,380 S**

(45) **Date of Patent:** **** Feb. 10, 2015**

(54) **BONE FUSION IMPLANT**

(75) Inventors: **Andrew K. Palmer**, Eastham, MA (US);
Dale Dellacqua, Bloomington, IN (US);
Gabriel Surma, Winona Lake, IN (US)

(73) Assignee: **Del Palma Orthopedics, LLC**,
Columbia City, IN (US)

(**) Term: **14 Years**

(21) Appl. No.: **29/426,676**

(22) Filed: **Jul. 9, 2012**

(51) **LOC (10) Cl.** **24-02**

(52) **U.S. Cl.**
USPC **D24/155**

(58) **Field of Classification Search**
USPC D24/155-157; 623/17.11-17.16, 20.29;
606/90, 85, 86 A, 87, 279, 246, 247,
606/261; 128/898; 433/174; D8/387
See application file for complete search history.

(56) **References Cited**

U.S. PATENT DOCUMENTS

5,591,235	A *	1/1997	Kuslich	606/261
D411,009	S *	6/1999	Asfora	D24/155
6,010,502	A *	1/2000	Bagby	606/247
6,135,772	A *	10/2000	Jones	433/174
6,447,546	B1 *	9/2002	Bramlet et al.	623/17.16
6,547,564	B1 *	4/2003	Hansson	433/174
7,192,446	B2 *	3/2007	Shapiro et al.	623/17.11
D562,454	S *	2/2008	Rassoli	D24/156
D612,714	S *	3/2010	Skubic	D8/387
7,699,613	B2 *	4/2010	Niznick	433/174

2007/0111164	A1 *	5/2007	Saade et al.	433/174
2008/0065076	A1 *	3/2008	Cragg et al.	606/61
2008/0188895	A1 *	8/2008	Cragg et al.	606/246

* cited by examiner

Primary Examiner — Ian Simmons

Assistant Examiner — Charles Hanson

(74) *Attorney, Agent, or Firm* — Heslin Rothenberg Farley
& Mesiti P.C.

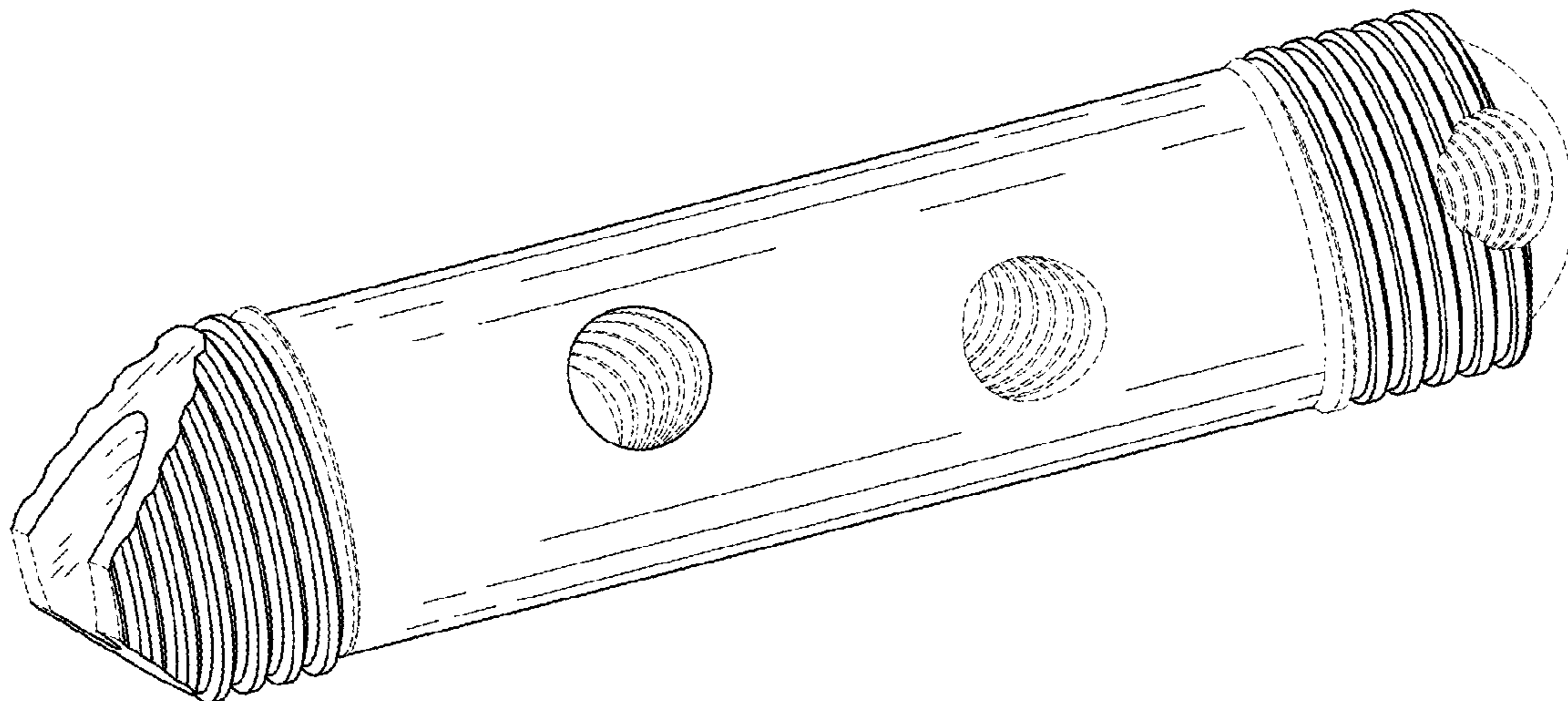
(57) **CLAIM**

The ornamental design for a bone fusion implant, as shown
and described.

DESCRIPTION

FIG. 1 is a front perspective view of the bone fusion implant comprising the new design;
FIG. 2 is a left elevational view of the new design of FIG. 1;
FIG. 3 is a new right elevational view of the new design of FIG. 1;
FIG. 4 is a top view of the new design of FIG. 1;
FIG. 5 is a bottom view of the new design of FIG. 1;
FIG. 6 is a sectional view of the new design of FIG. 1 taken along line 6-6 of FIG. 5;
FIG. 7 is a front elevational view of the new design of FIG. 1;
FIG. 8 is a rear elevational view of the new design of FIG. 1;
FIG. 9 is a front perspective view of a second embodiment of a bone fusion implant, as shown in FIGS. 1-8, with is the sole difference being a portion of the implant shown removed in the middle to indicate an indeterminate length. It is understood that the portion of the implant not shown forms no part of the claimed design, and patentability is based only on those portions of the implant shown in solid lines; and,
FIG. 10 is a left elevational view thereof.
The broken lines in the figures are for illustrative purposes only and form no part of the claimed invention.

1 Claim, 4 Drawing Sheets



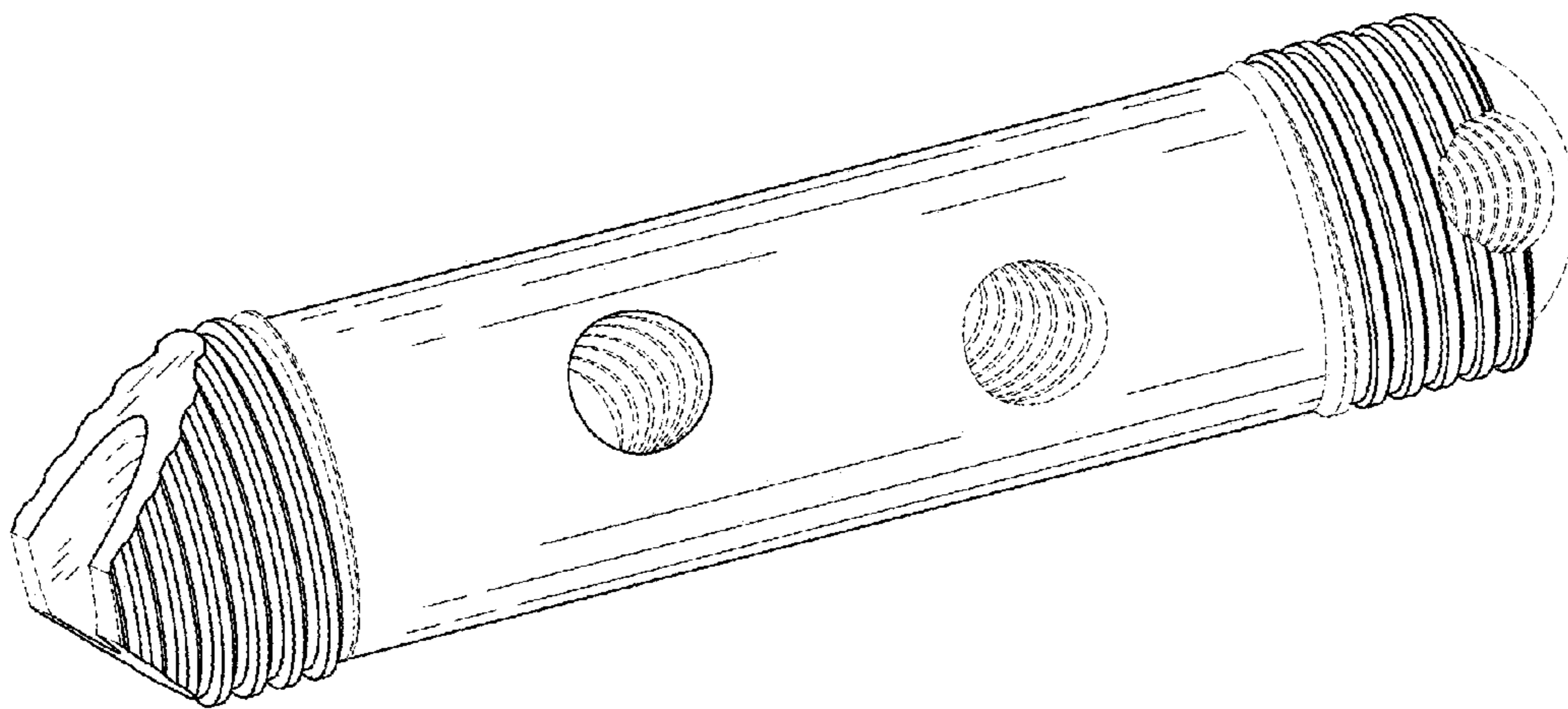


FIG. 1

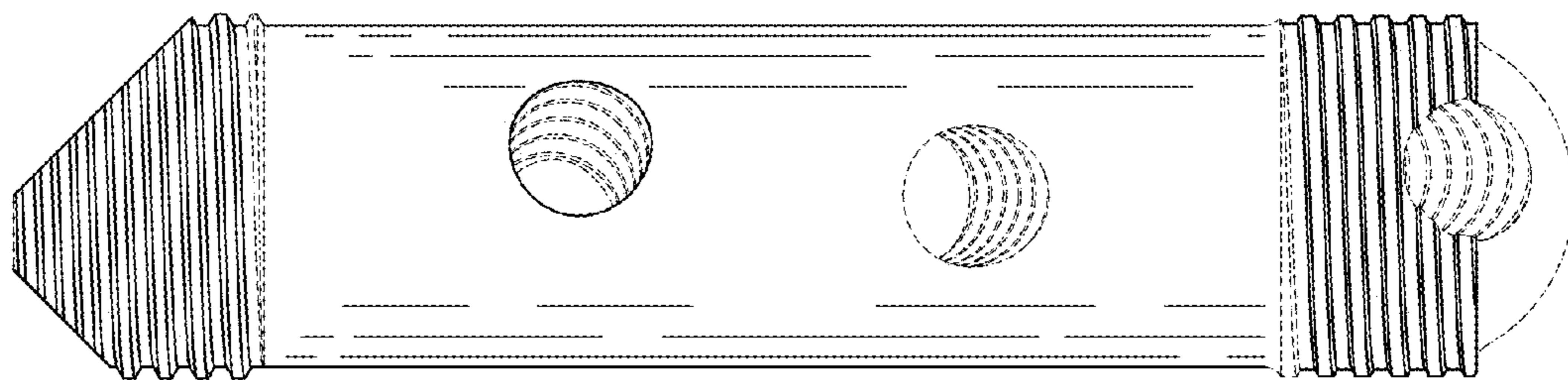


FIG. 2

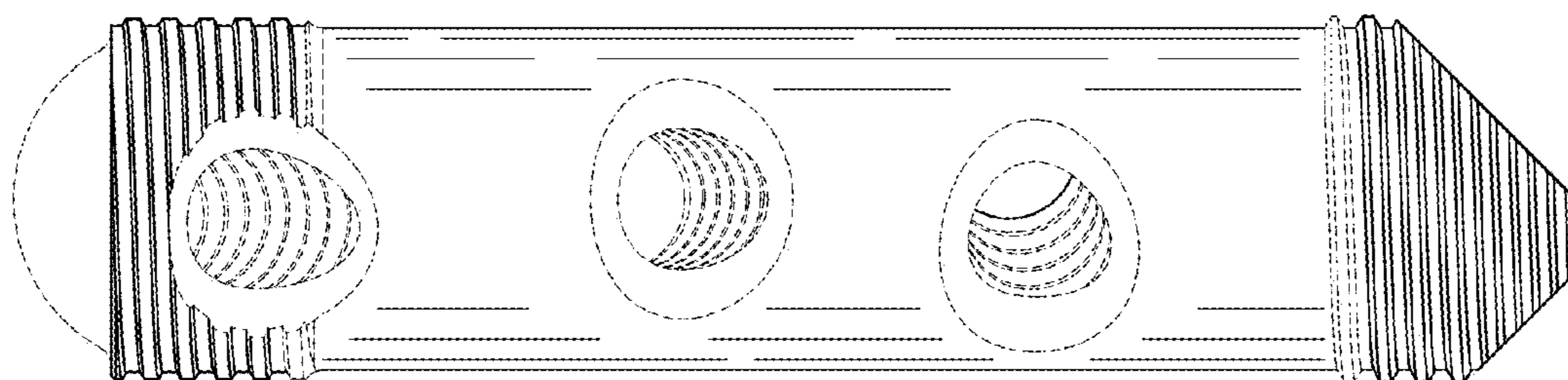


FIG. 3

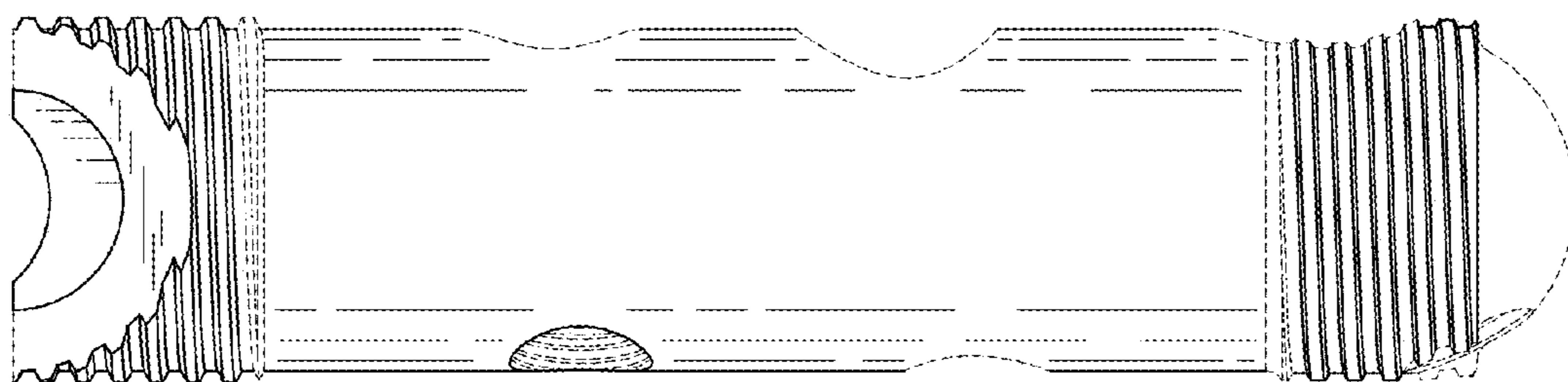


FIG. 4

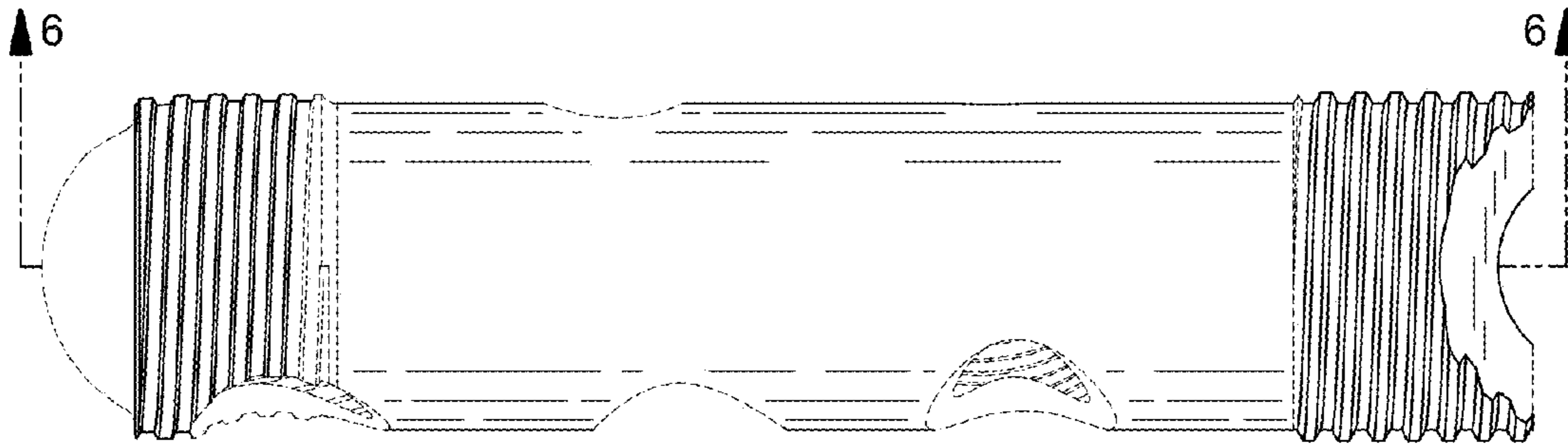


FIG. 5

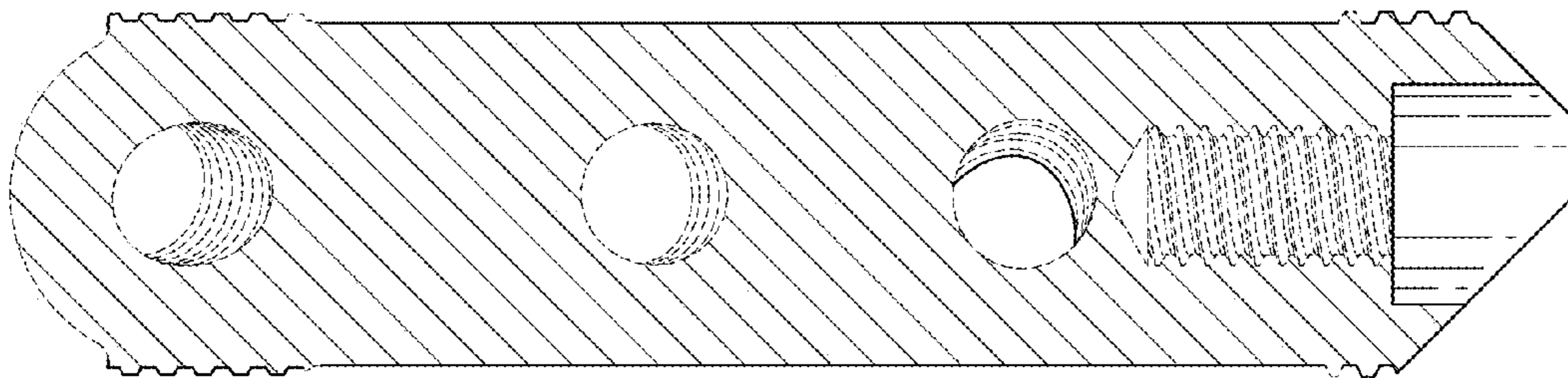


FIG. 6

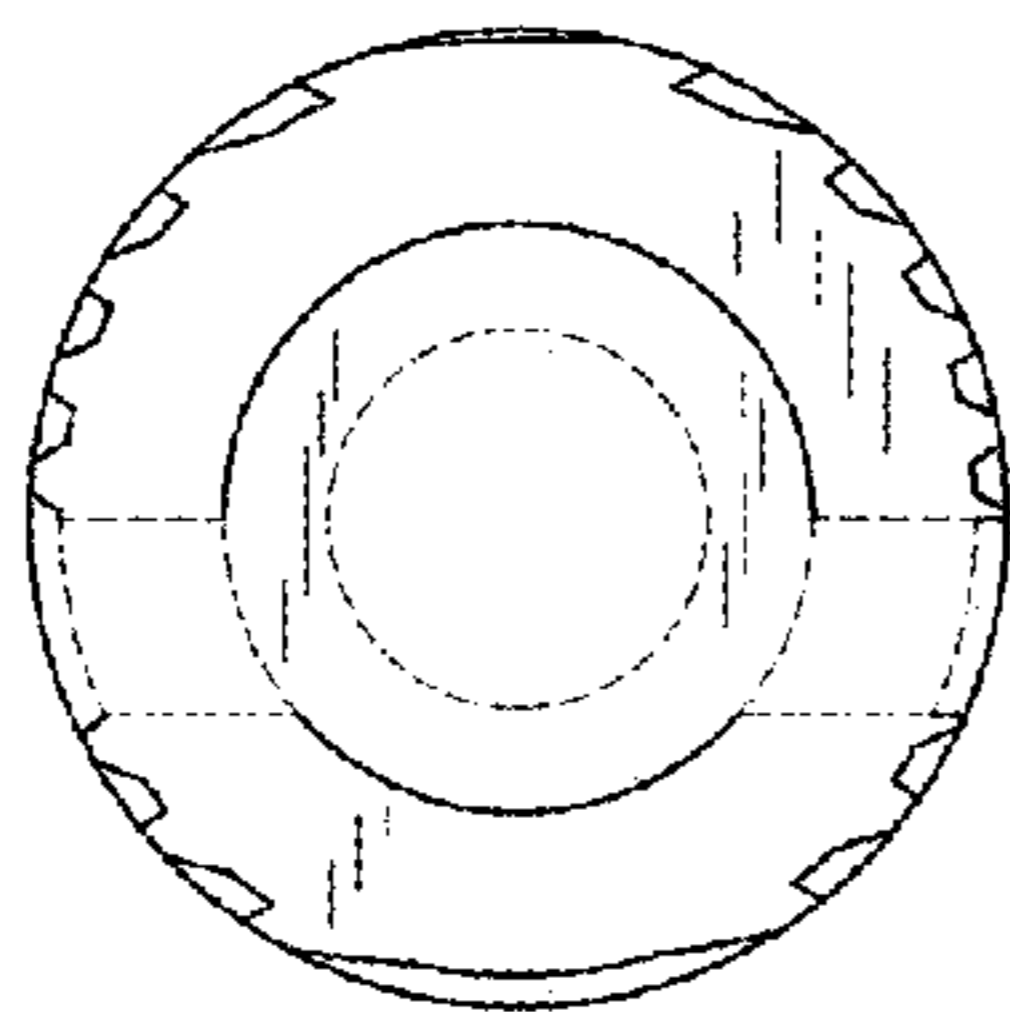


FIG. 7

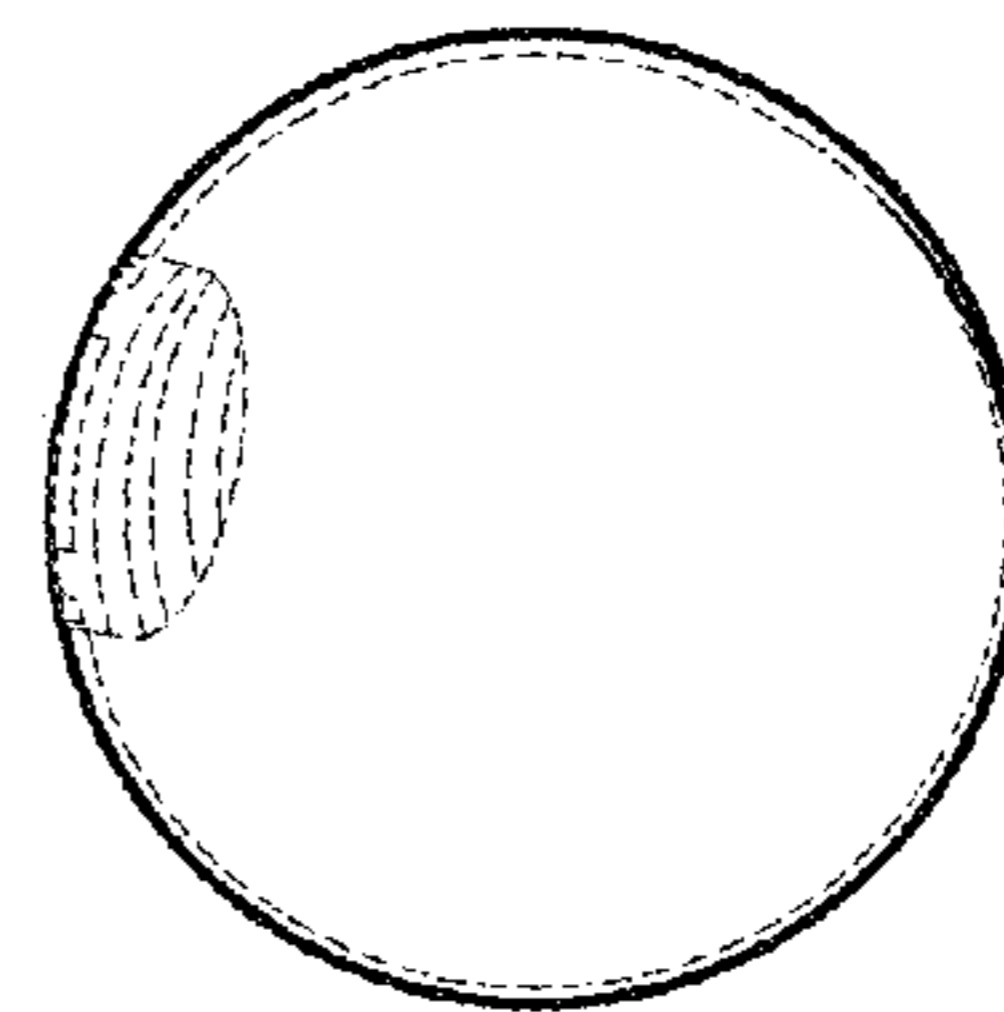


FIG. 8

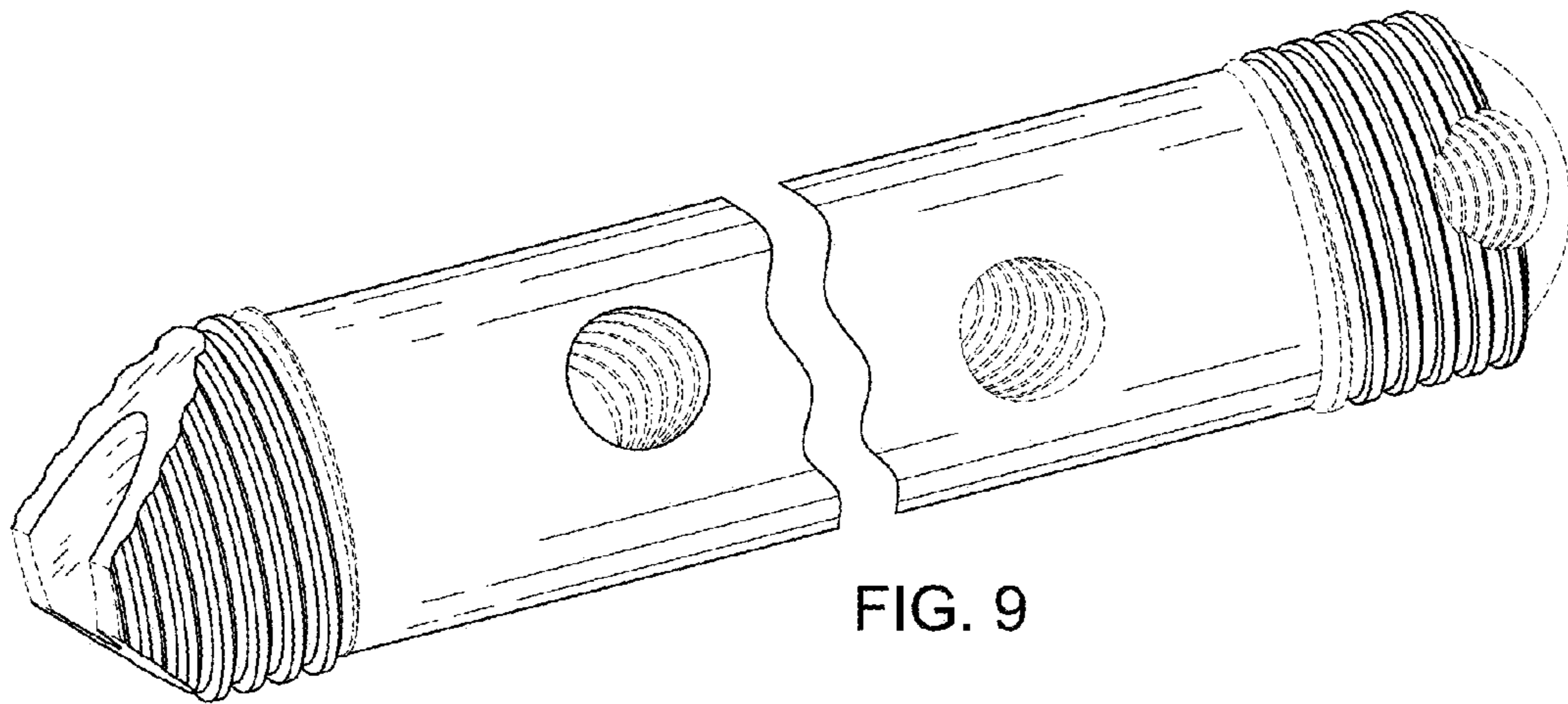


FIG. 9

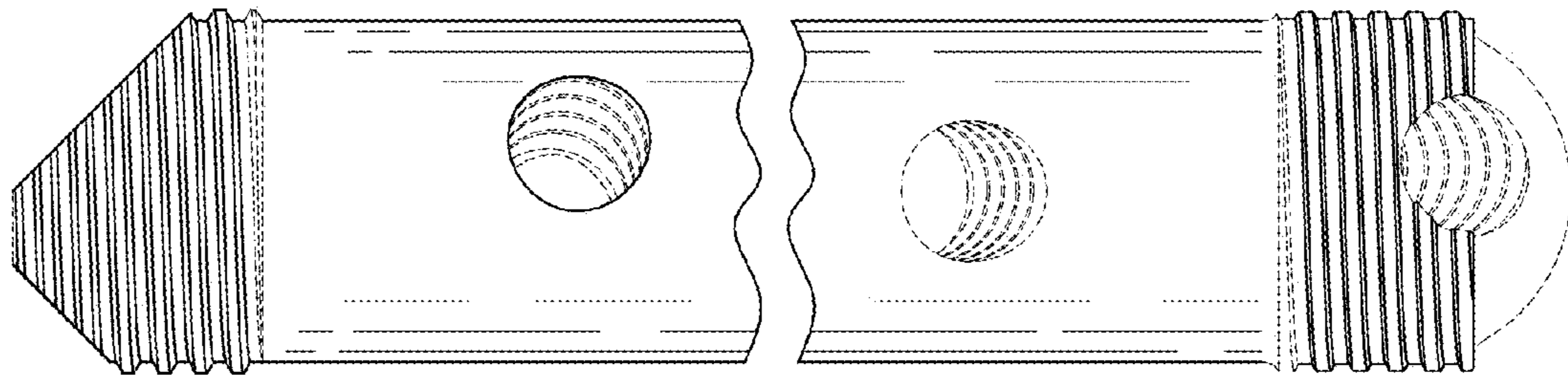


FIG. 10