



US00D722379S

(12) **United States Design Patent**
Thouement

(10) **Patent No.:** **US D722,379 S**

(45) **Date of Patent:** **** Feb. 10, 2015**

(54) **SUTURE INSTRUMENT**

(71) Applicant: **Yann Thouement**, Les essarts le roi (FR)

(72) Inventor: **Yann Thouement**, Les essarts le roi (FR)

(73) Assignee: **Karl Storz GmbH & Co. KG** (DE)

(**) Term: **14 Years**

(21) Appl. No.: **29/477,747**

(22) Filed: **Dec. 26, 2013**

(30) **Foreign Application Priority Data**

Jun. 27, 2013 (EM) 002264168-0001

(51) **LOC (10) Cl.** **24-02**

(52) **U.S. Cl.**
USPC **D24/145**

(58) **Field of Classification Search**
USPC D24/145, 133, 143, 146-147; 606/104,
606/131, 49, 139-140, 148, 170, 180,
606/205-206, 208, 213
See application file for complete search history.

(56) **References Cited**

U.S. PATENT DOCUMENTS

D349,341 S * 8/1994 Lichtman et al. D24/143
D350,606 S * 9/1994 Koros et al. D24/143

5,368,600 A * 11/1994 Failla et al. 606/139
5,382,253 A * 1/1995 Hogendijk 606/139
D370,064 S * 5/1996 Livneh D24/146
5,665,100 A * 9/1997 Yoon 606/170
5,755,726 A * 5/1998 Pratt et al. 606/139
6,371,956 B1 * 4/2002 Wilson et al. 606/49
6,896,686 B2 * 5/2005 Weber 606/139
7,112,208 B2 * 9/2006 Morris et al. 606/148
7,431,188 B1 * 10/2008 Marczyk 606/139
7,887,535 B2 * 2/2011 Lands et al. 606/51
8,282,656 B2 * 10/2012 Hart 606/139

* cited by examiner

Primary Examiner — Wan Laymon

(74) *Attorney, Agent, or Firm* — St. Onge Steward Johnston & Reens LLC

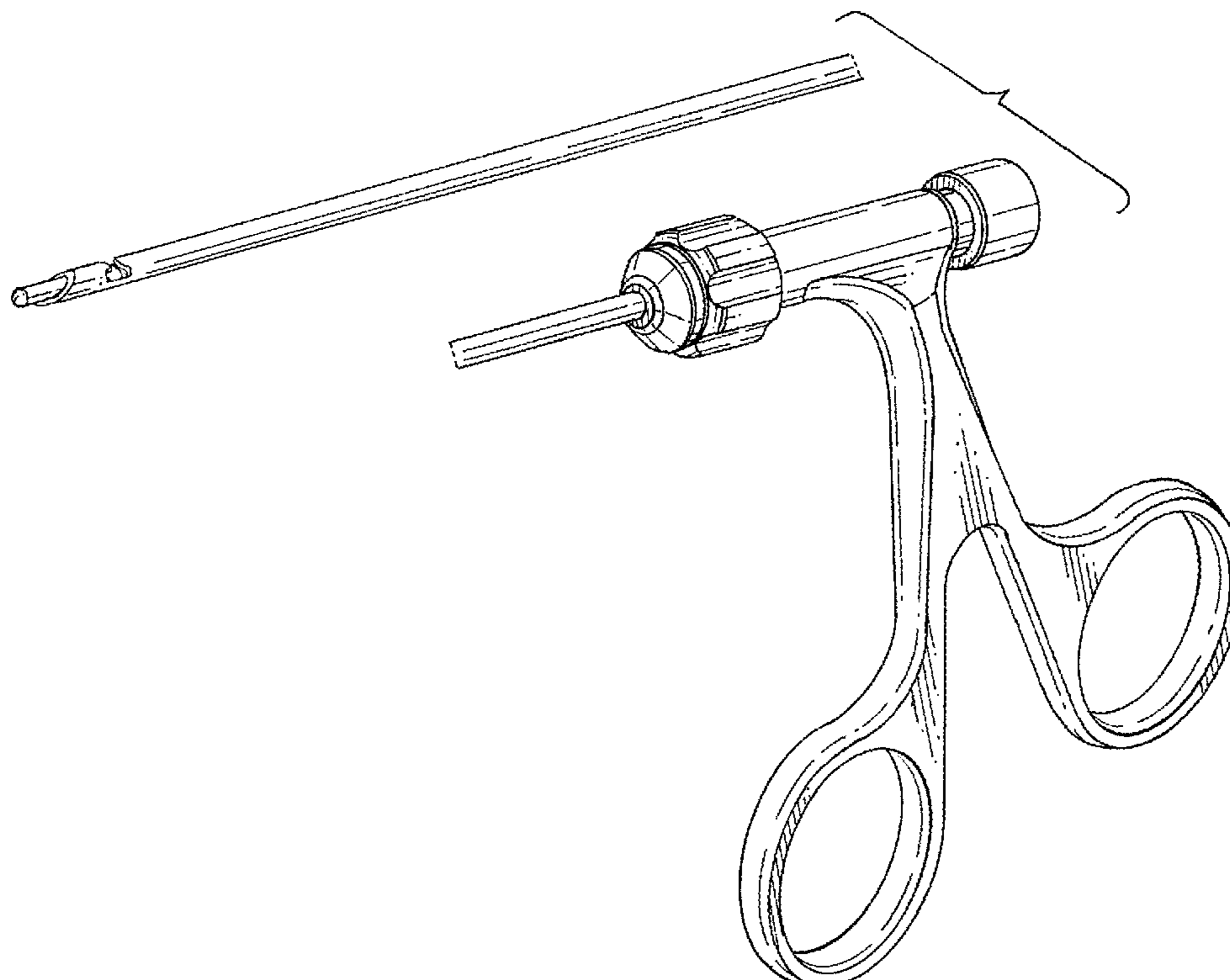
(57) **CLAIM**

The ornamental design for a suture instrument, as shown and described.

DESCRIPTION

FIG. 1 is a front left side isometric view of a suture instrument in accordance with the new design;
FIG. 2 is a left side elevational view thereof;
FIG. 3 is a right side elevational view thereof;
FIG. 4 is a top plan view thereof;
FIG. 5 is a bottom plan view thereof;
FIG. 6 is a front elevational view thereof; and,
FIG. 7 is a rear elevational view thereof.
The broken away symbols in the drawings indicate that any portion of the article beyond what is shown forms no part of the claimed design.

1 Claim, 6 Drawing Sheets



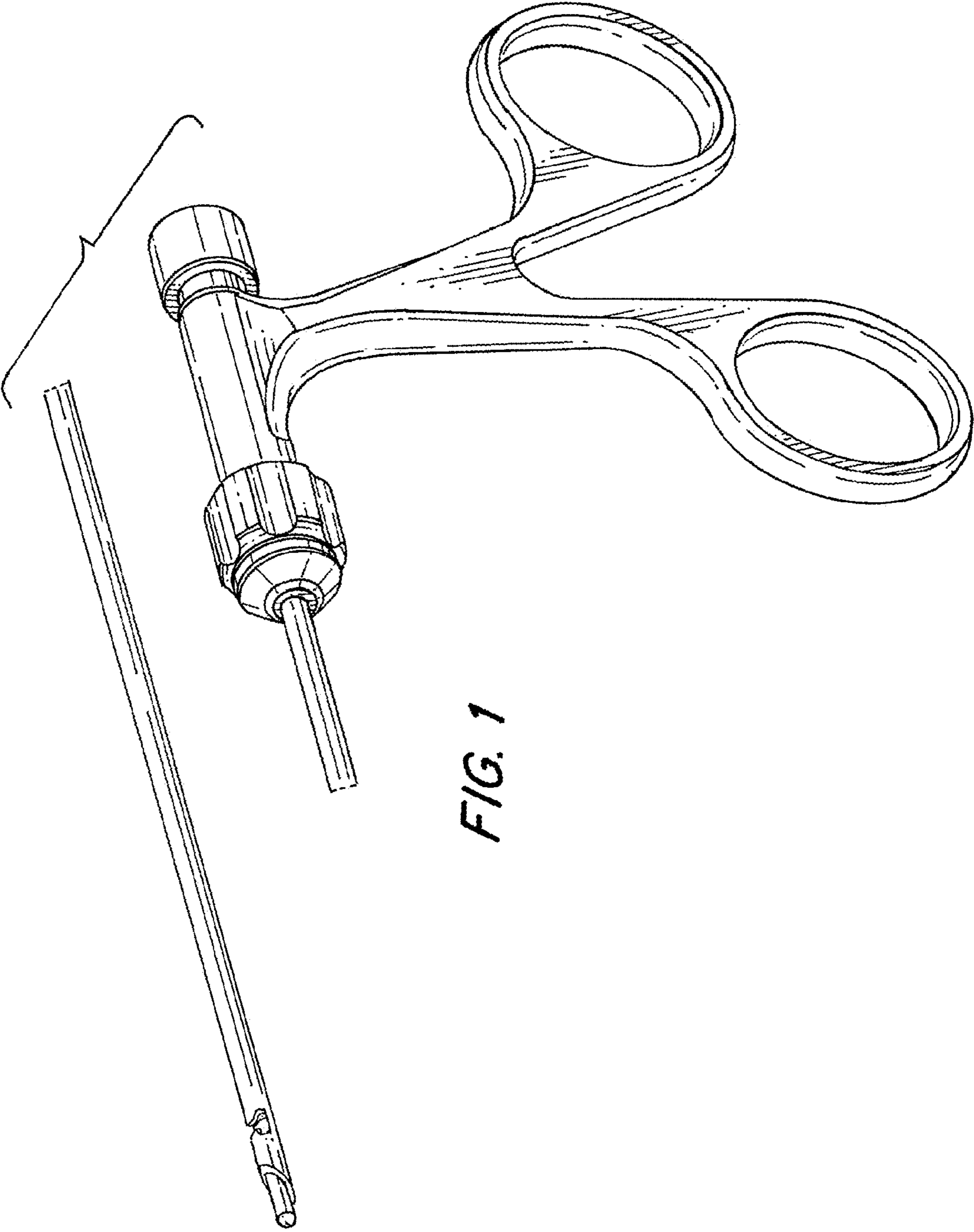
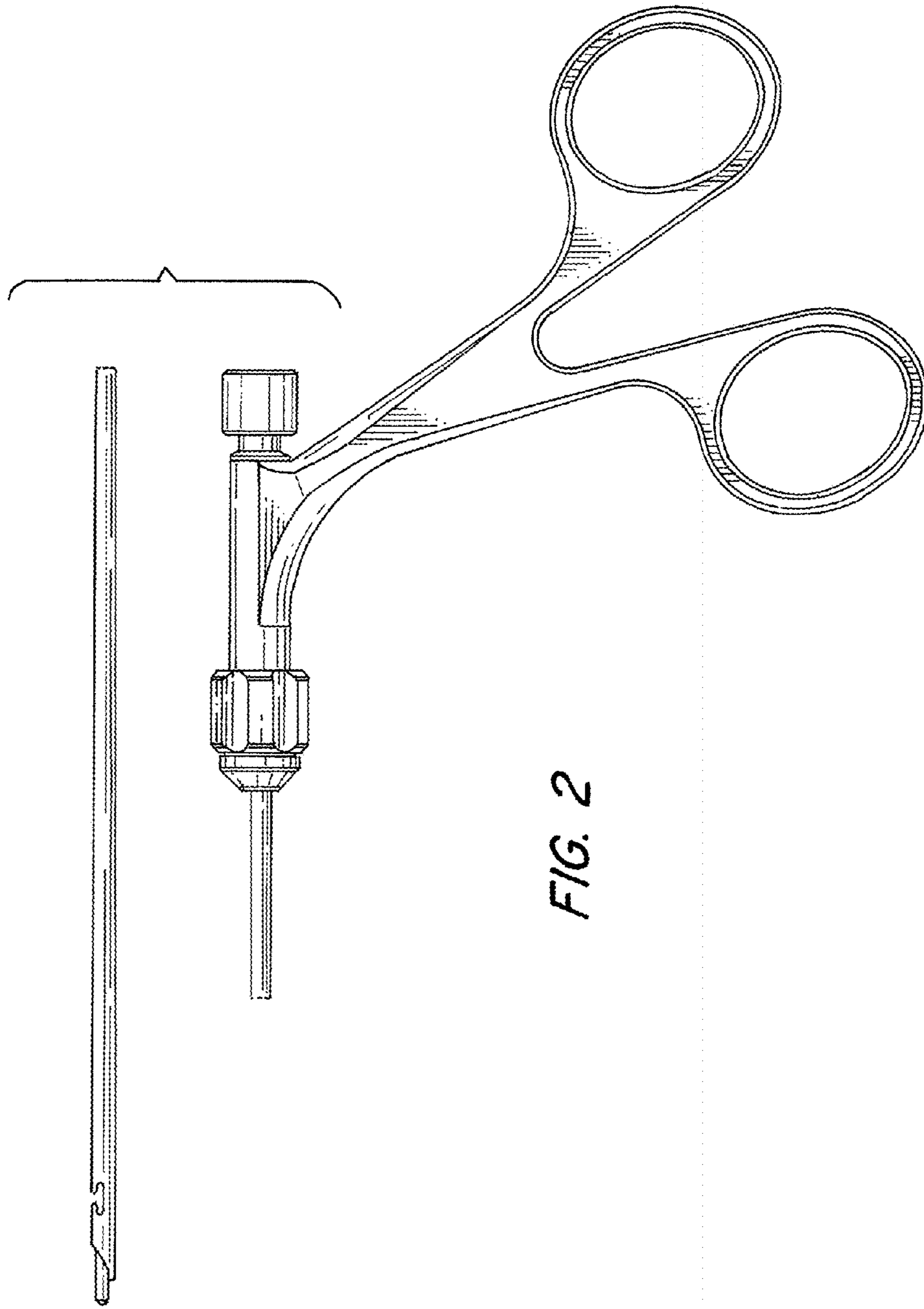


FIG. 1



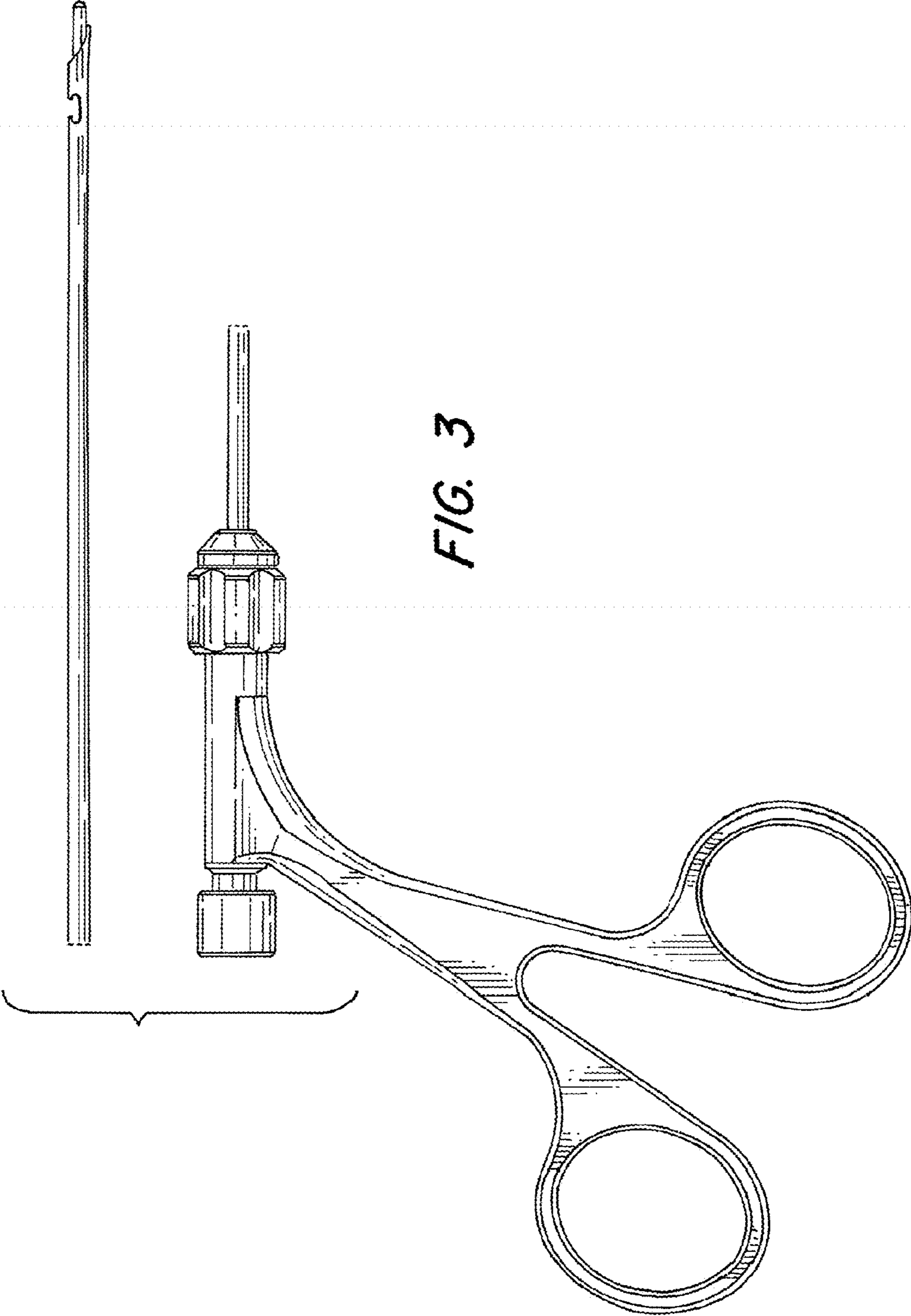


FIG. 3

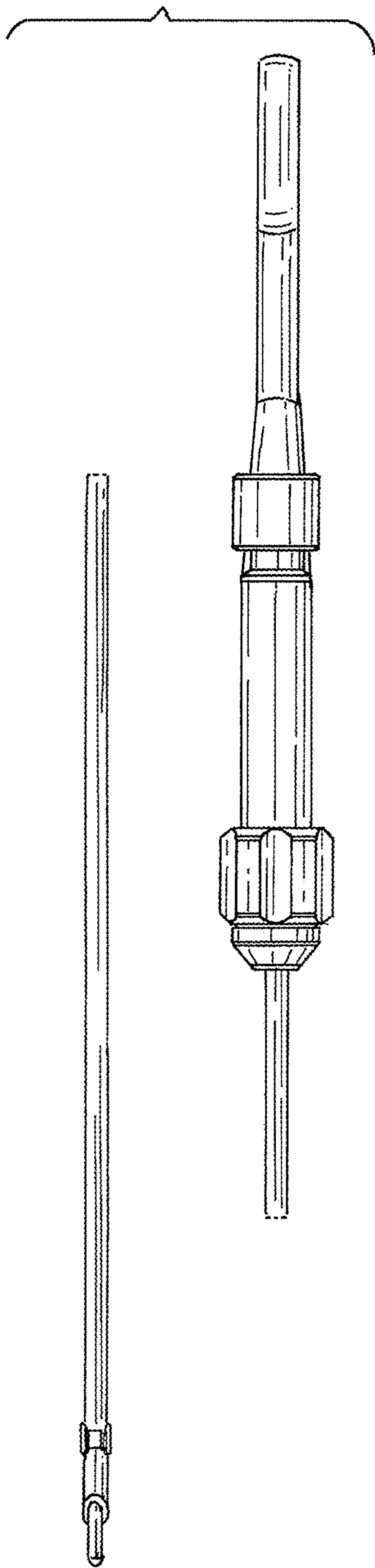


FIG. 4

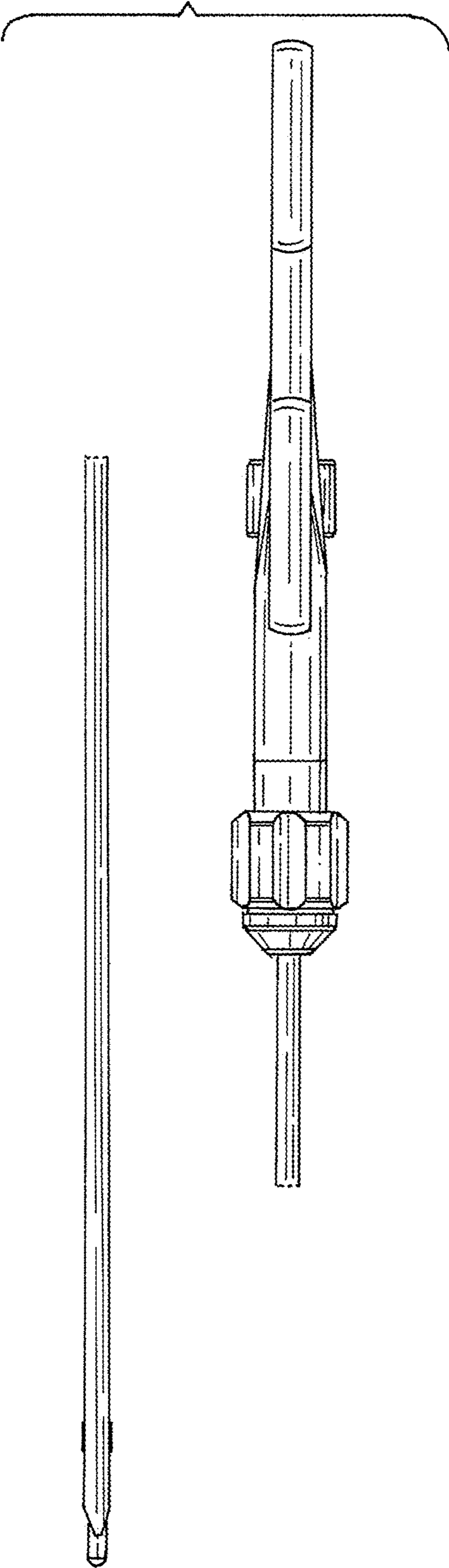


FIG. 5

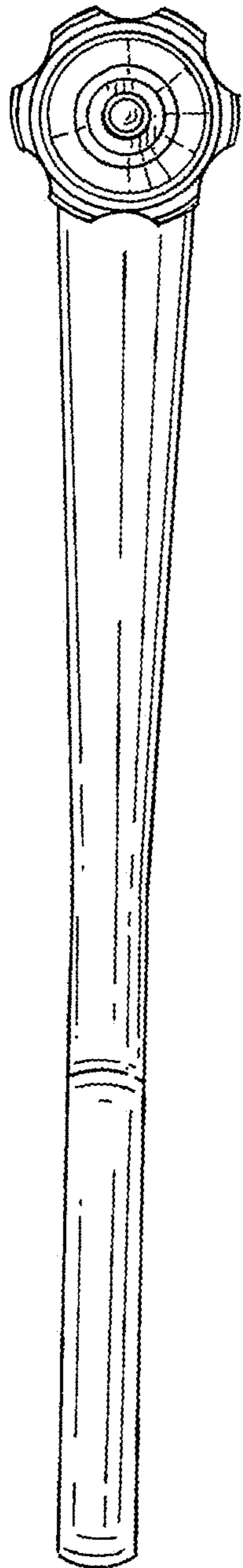


FIG. 6

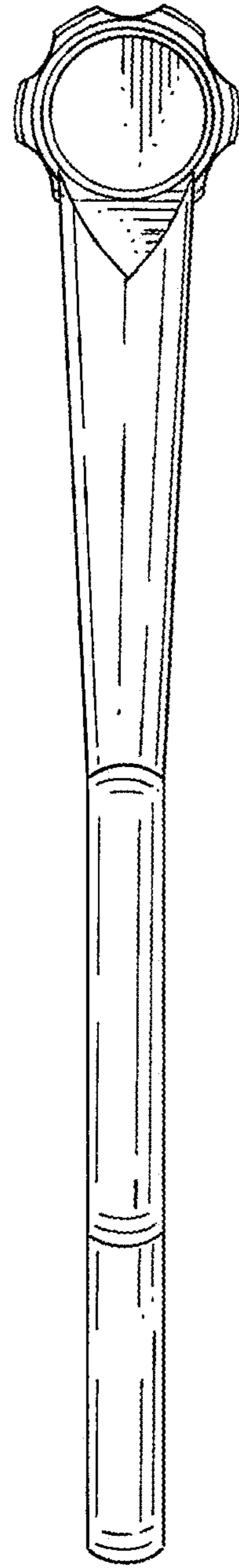


FIG. 7