



US00D722376S

(12) **United States Design Patent**
Davis et al.

(10) **Patent No.:** **US D722,376 S**
(45) **Date of Patent:** **** Feb. 10, 2015**

(54) **DISPENSER**

(71) Applicant: **S.C. Johnson & Son, Inc.**, Racine, WI (US)

(72) Inventors: **Brian T. Davis**, Burlington, WI (US);
Simon James Michael Enever, New York, NY (US); **Evan L. Ryan**, Brooklyn, NY (US)

(73) Assignee: **S.C. Johnson & Son, Inc.**, Racine, WI (US)

(**) Term: **14 Years**

(21) Appl. No.: **29/486,555**

(22) Filed: **Mar. 31, 2014**

(51) **LOC (10) Cl.** **28-99**

(52) **U.S. Cl.**
USPC **D23/366**

(58) **Field of Classification Search**

USPC D23/355–369; D28/5, 6; 261/DIG. 17, 261/DIG. 42, DIG. 65, DIG. 88, DIG. 89; 392/386, 390, 394, 395; 239/34, 44, 239/53, 55, 56, 326; D26/14, 17, 98, 9, 22, D26/24; D11/131.1; D7/509, 522, 524, 537
See application file for complete search history.

(56) **References Cited**

U.S. PATENT DOCUMENTS

3,655,129 A 4/1972 Seiner
4,961,930 A 10/1990 Perdelwitz

(Continued)

FOREIGN PATENT DOCUMENTS

WO 2005/053390 A1 6/2005

Primary Examiner — Sandra Snapp

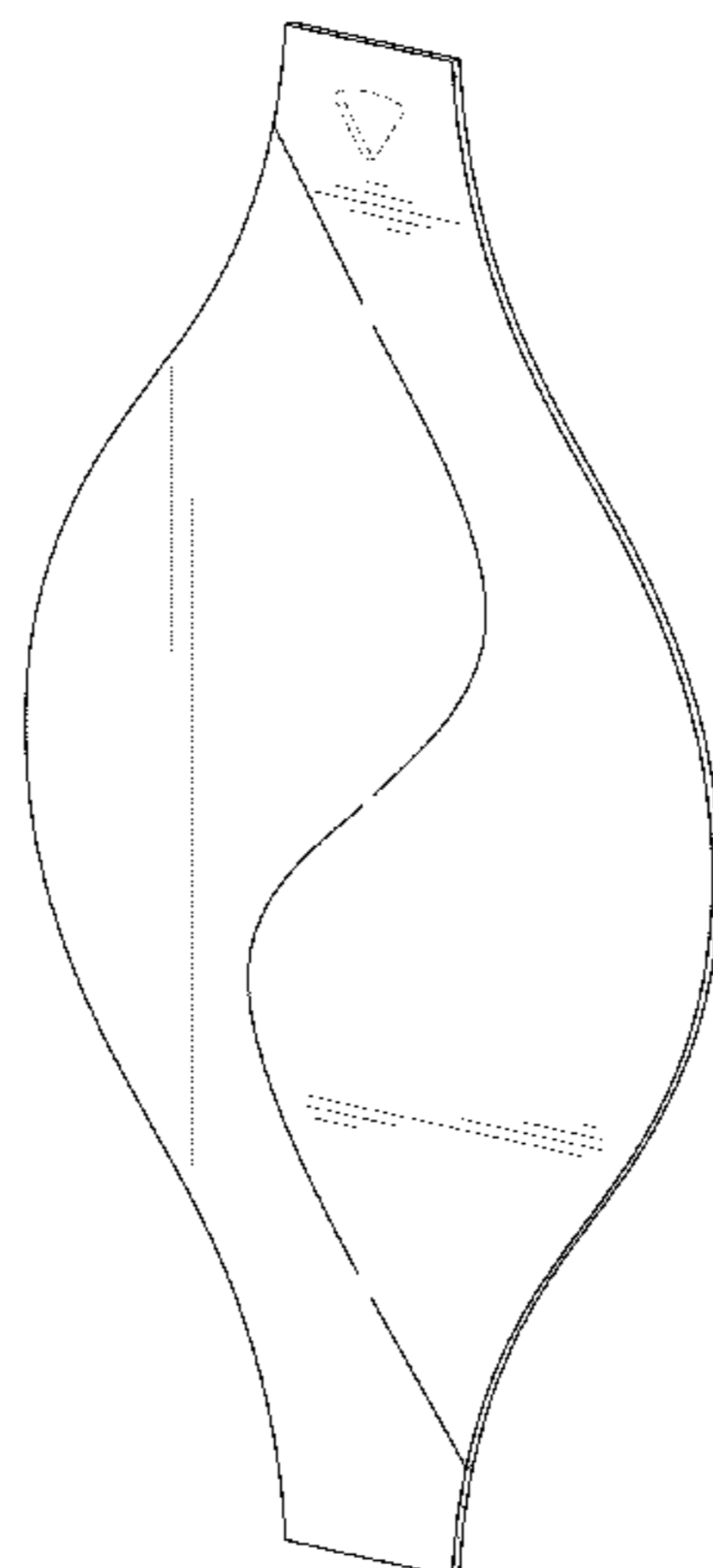
(57) **CLAIM**

The ornamental design for a dispenser, as shown and described.

DESCRIPTION

FIG. 1 is an isometric view of a front, top, and left side of an ornamental design for a dispenser in a first state;
FIG. 2 is a front elevational view of the dispenser of FIG. 1;
FIG. 3 is a rear elevational view of the dispenser of FIG. 1;
FIG. 4 is a left side elevational view of the dispenser of FIG. 1;
FIG. 5 is a right side elevational view of the dispenser of FIG. 1;
FIG. 6 is a top plan view of the dispenser of FIG. 1;
FIG. 7 is a bottom plan view of the dispenser of FIG. 1;
FIG. 8 is an isometric view of a front, top, and left side of the dispenser of FIG. 1 in a second state;
FIG. 9 is a front elevational view of the dispenser of FIG. 8;
FIG. 10 is a rear elevational view of the dispenser of FIG. 8;
FIG. 11 is a left side elevational view of the dispenser of FIG. 8;
FIG. 12 is a right side elevational view of the dispenser of FIG. 8;
FIG. 13 is a top plan view of the dispenser of FIG. 8;
FIG. 14 is a bottom plan view of the dispenser of FIG. 8;
FIG. 15 is an isometric view of a front, top, and left side of a further embodiment of an ornamental design for a dispenser similar to that of FIG. 1;
FIG. 16 is a front elevational view of the dispenser of FIG. 15;
FIG. 17 is a rear elevational view of the dispenser of FIG. 15;
FIG. 18 is a left side elevational view of the dispenser of FIG. 15;
FIG. 19 is a right side elevational view of the dispenser of FIG. 15;
FIG. 20 is a top plan view of the dispenser of FIG. 15; and,
FIG. 21 is a bottom plan view of the dispenser of FIG. 15.
The broken lines are for the purpose of illustrating environmental structure and form no part of the claimed design.

1 Claim, 12 Drawing Sheets



(56)

References Cited

U.S. PATENT DOCUMENTS

5,003,635	A	4/1991	Peterson				
5,062,551	A	11/1991	Goldstein et al.				
5,248,537	A	9/1993	Giannavola				
D349,762	S *	8/1994	El-Assir	D23/367			
D359,348	S *	6/1995	El-Assir	D23/367			
D379,853	S *	6/1997	Long et al.	D23/367			
6,327,813	B1	12/2001	Ishiwatari				
6,360,477	B1	3/2002	Flashinski et al.				
6,534,079	B1	3/2003	Munagavalasa				
6,557,778	B1	5/2003	Shiffler				
6,575,383	B2	6/2003	Dobler et al.				
6,775,470	B2 *	8/2004	Zobebe et al.	392/390			
D512,496	S *	12/2005	Harbutt et al.	D23/366			
D514,212	S *	1/2006	Harbutt et al.	D23/366			
D532,891	S *	11/2006	Buthier et al.	D23/366			
D535,003	S *	1/2007	Buthier et al.	D23/366			
D550,829	S *	9/2007	Buthier et al.	D23/367			
D551,748	S *	9/2007	Butler et al.	D23/366			
7,419,102	B2	9/2008	Harris				
7,530,503	B2	5/2009	Caserta et al.				
D596,731	S *	7/2009	Garcia Fabrega et al. ...	D23/366			
D616,974	S *	6/2010	Hakim	D23/367			
7,926,734	B2	4/2011	Dobler et al.				
7,980,507	B2	7/2011	Patrick				
8,178,114	B2	5/2012	Klausen et al.				
D663,402	S *	7/2012	Hewson-Hyde et al.	D23/366			
8,480,960	B2	7/2013	Wheatley et al.				
2008/0105760	A1	5/2008	Sheffield et al.				
2011/0278370	A1	11/2011	Glydon				
2012/0055075	A1	3/2012	Winkler et al.				
2013/0168463	A1	7/2013	Dobler et al.				

* cited by examiner

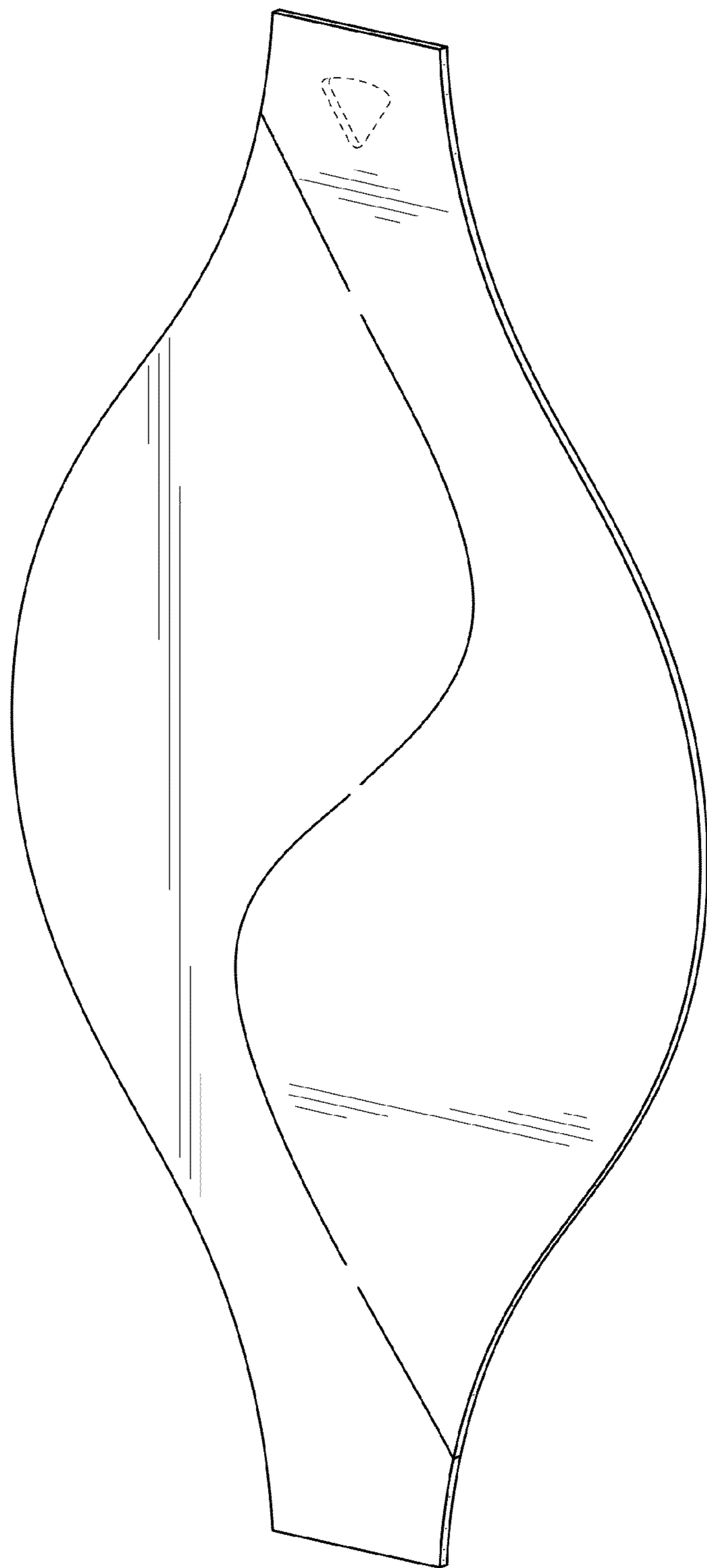


FIG. 1

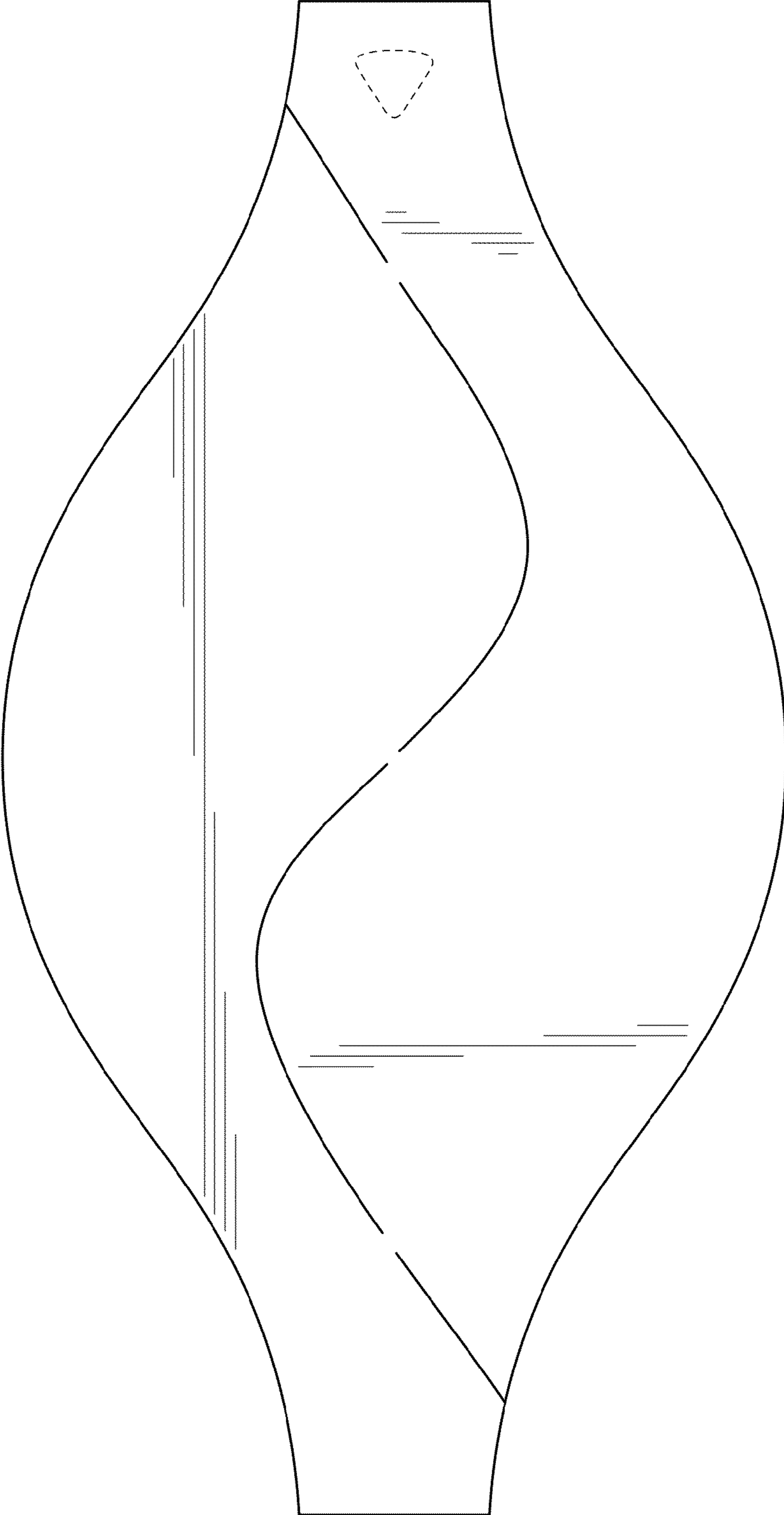


FIG. 2

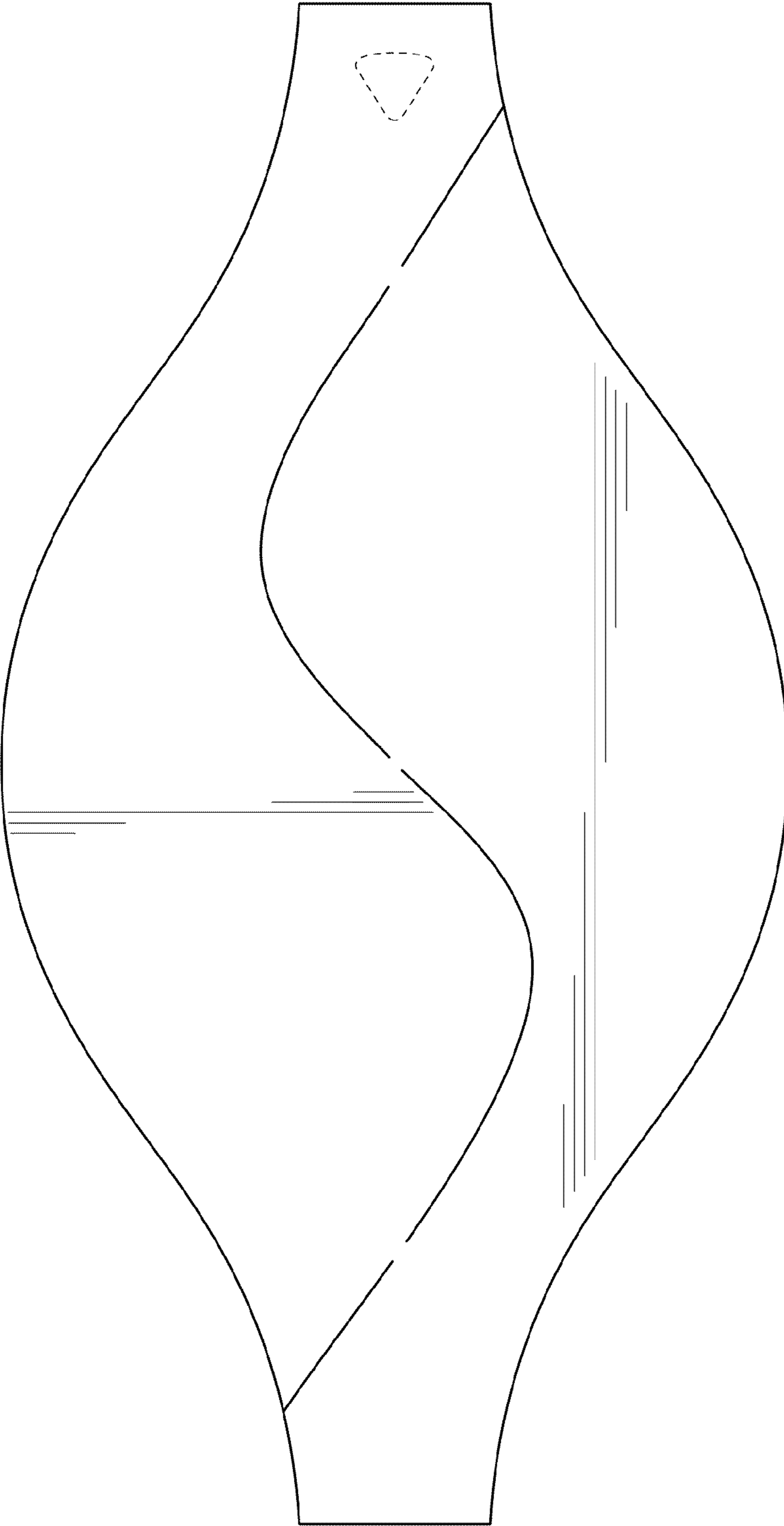


FIG. 3



FIG. 4



FIG. 5

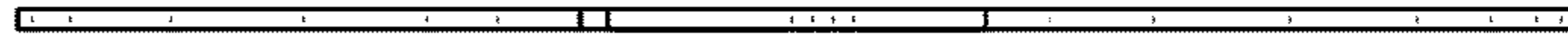


FIG. 6



FIG. 7

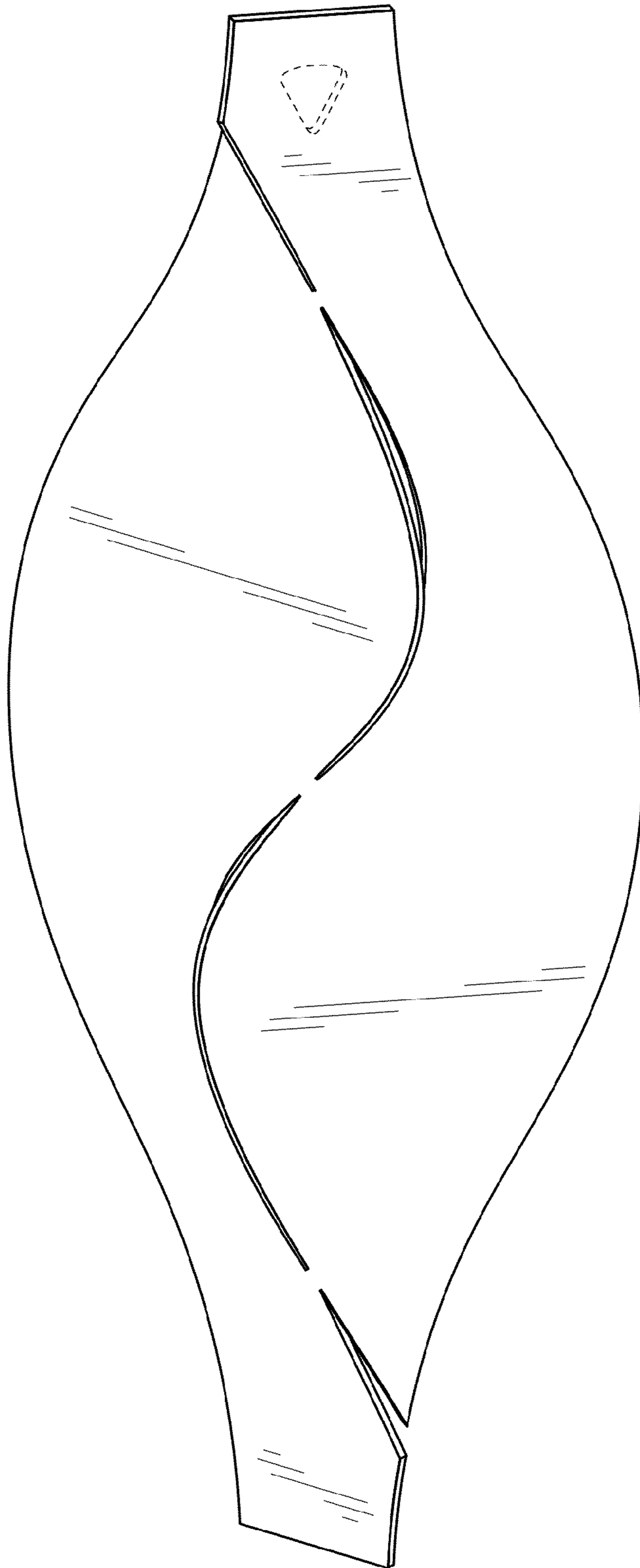


FIG. 8

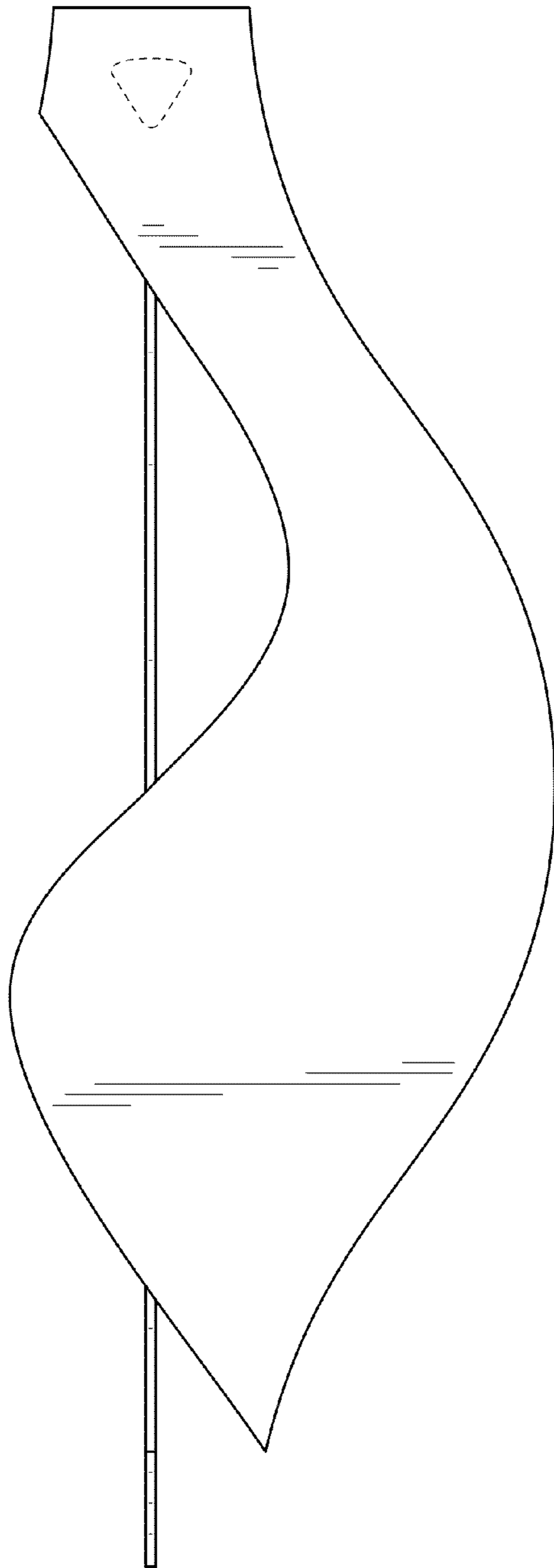


FIG. 9

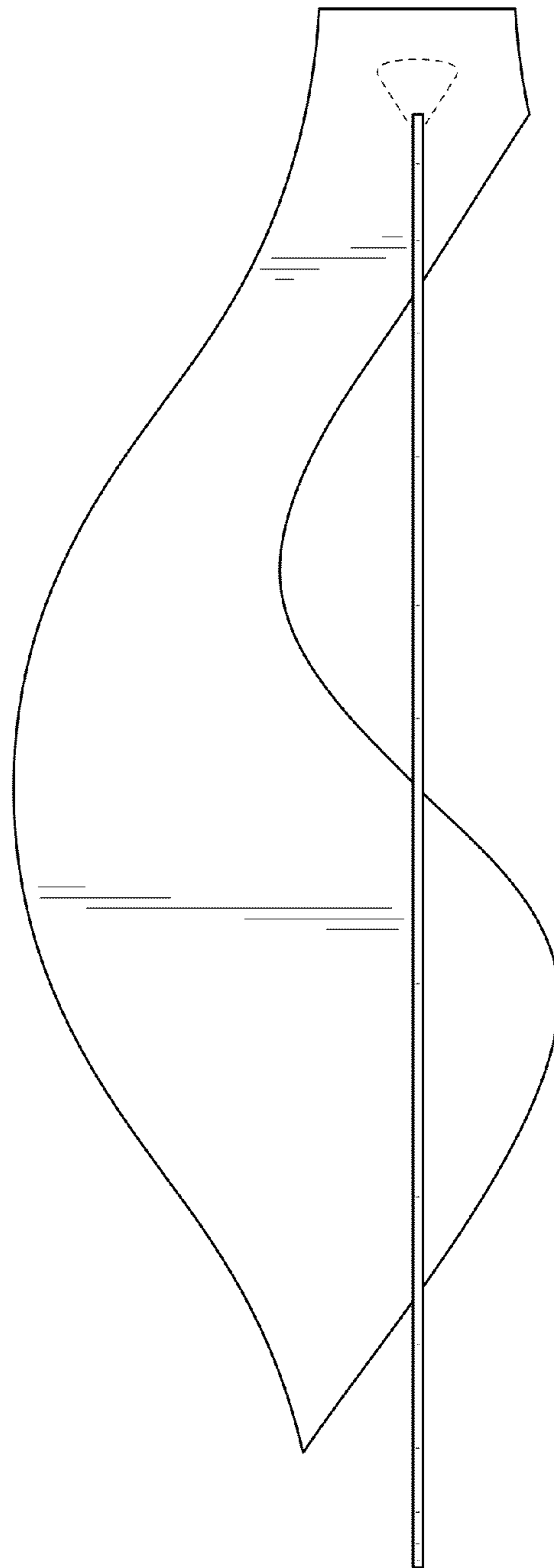


FIG. 10

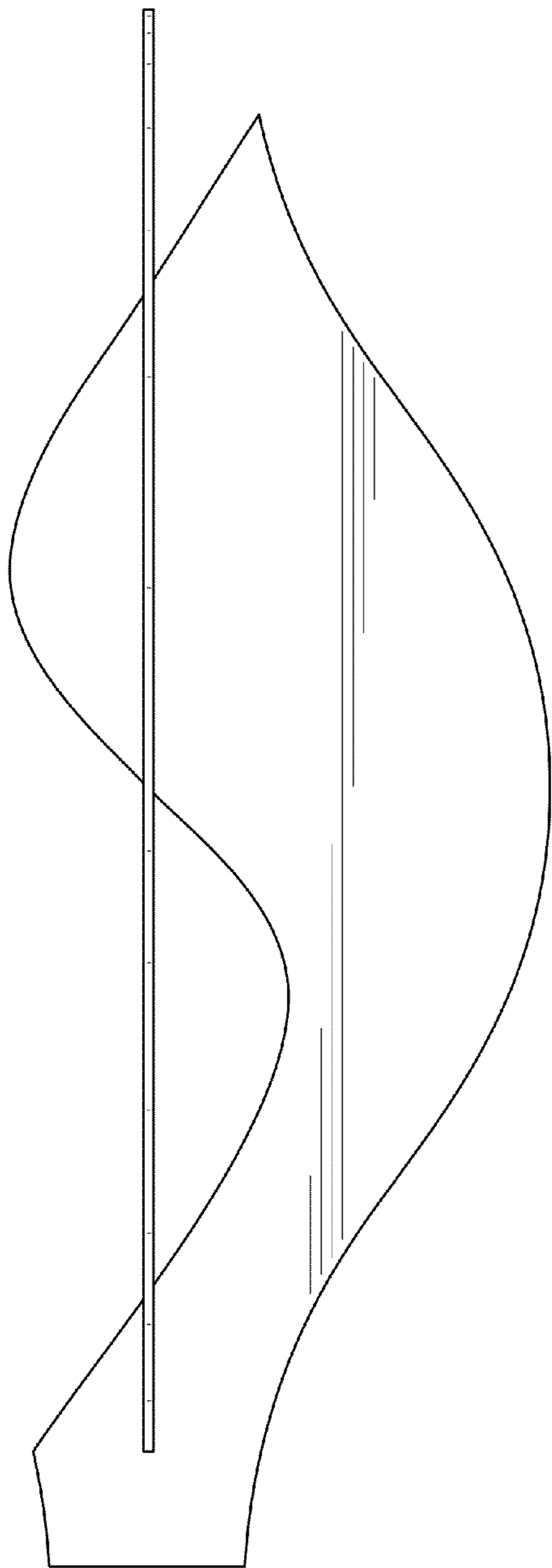


FIG. 11

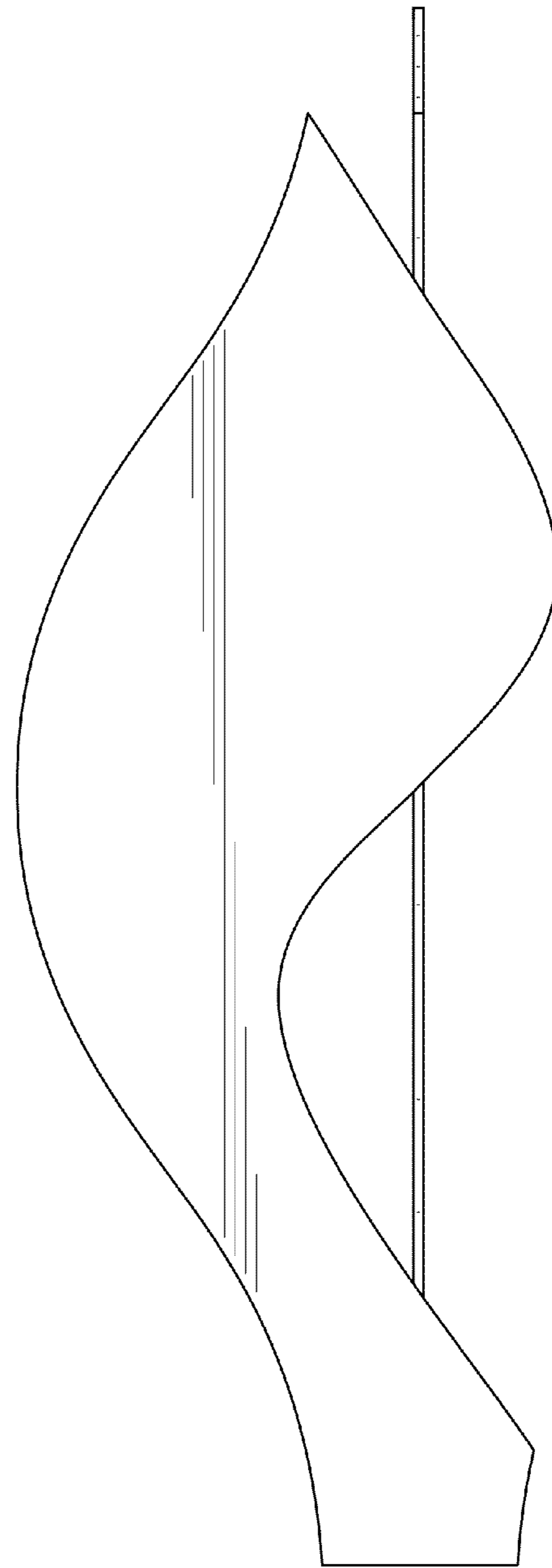


FIG. 12

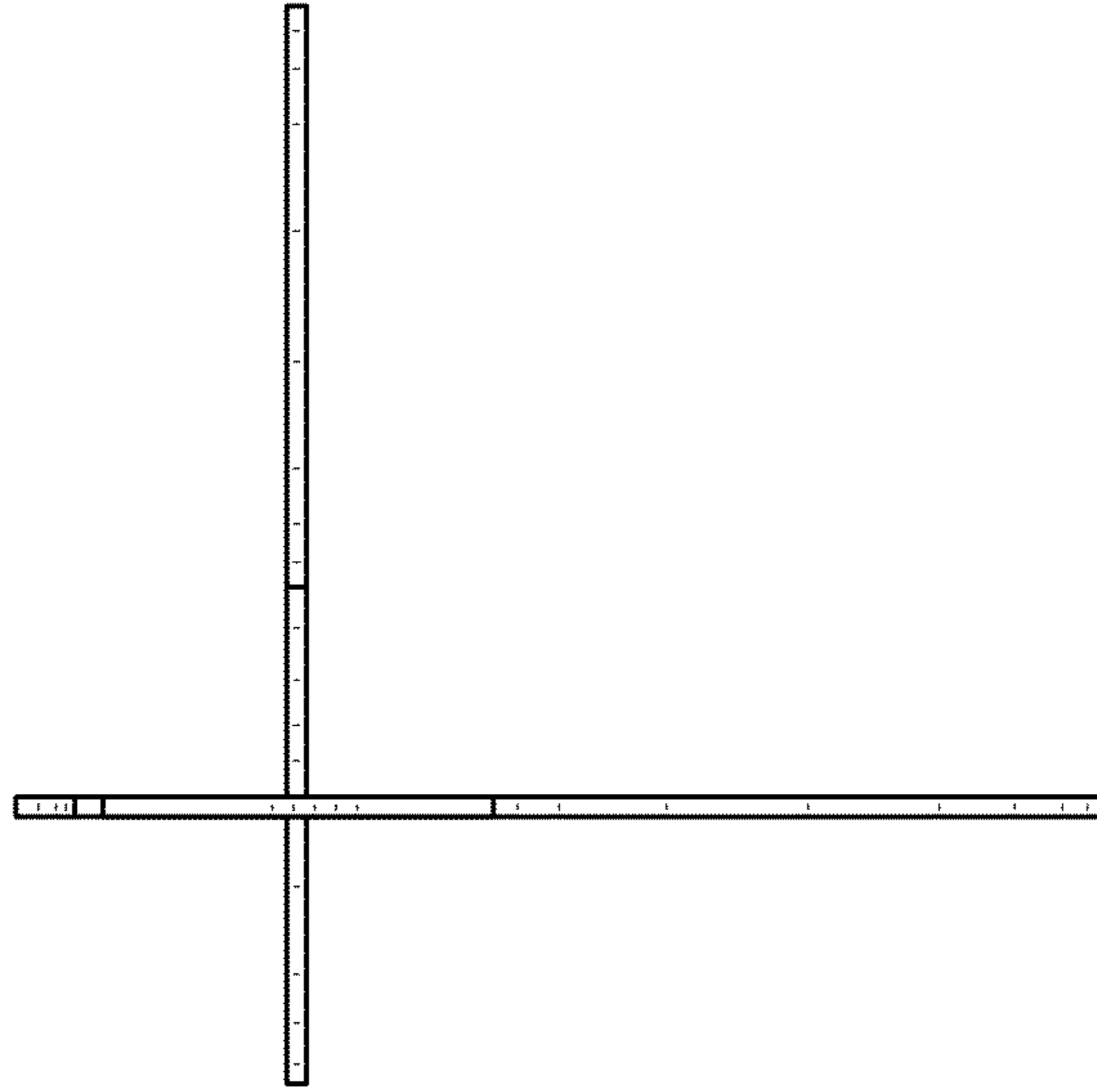


FIG. 13

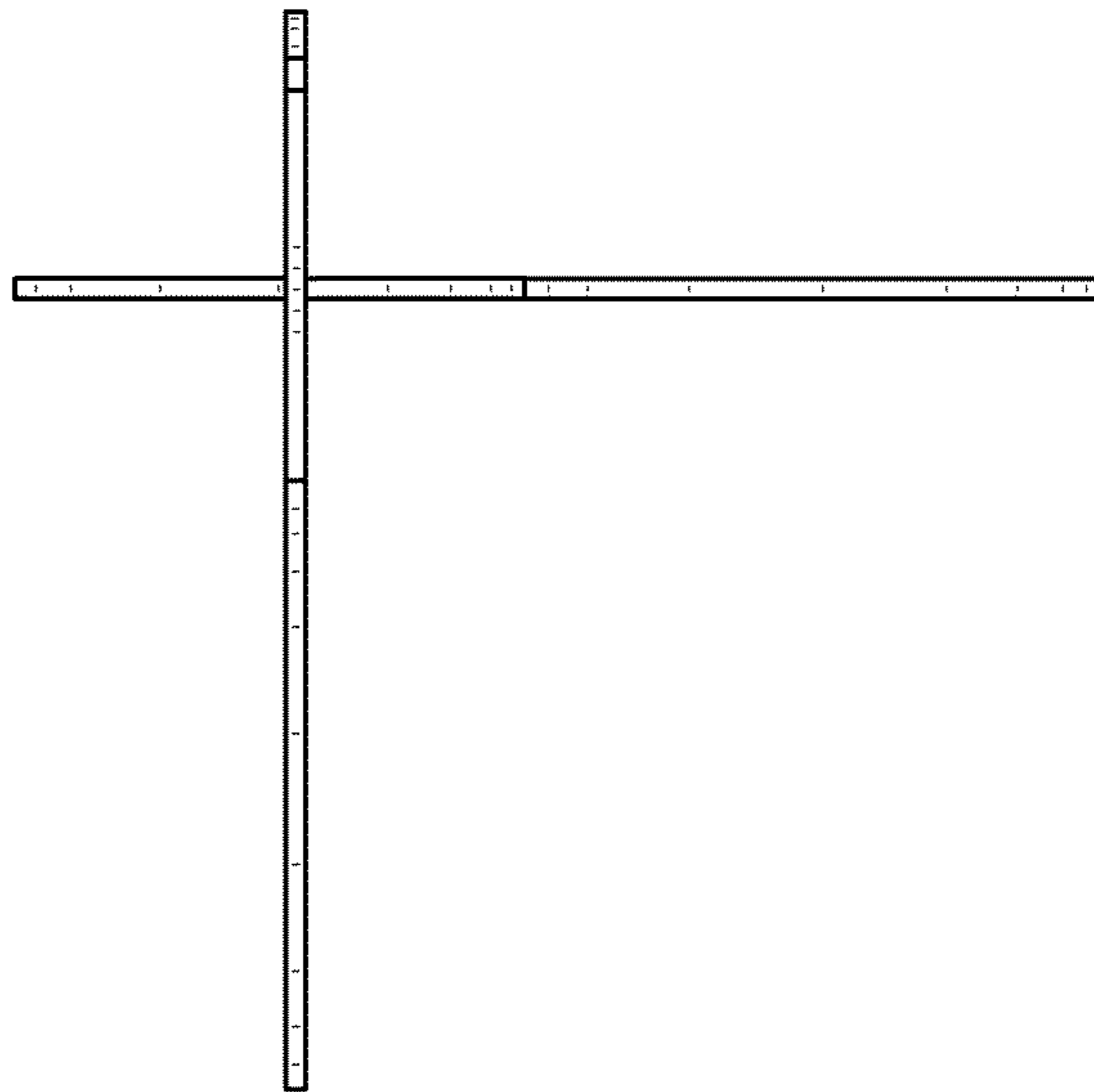


FIG. 14

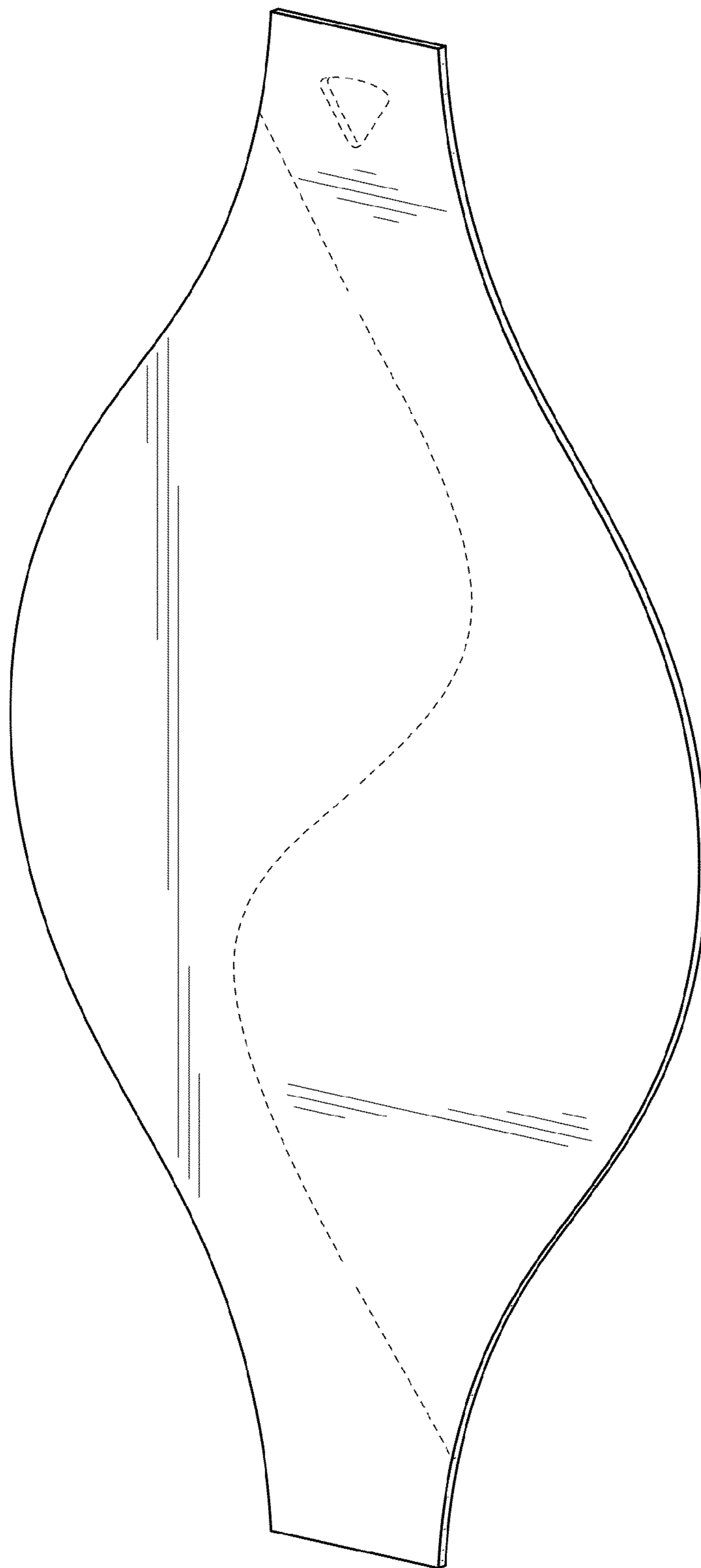


FIG. 15

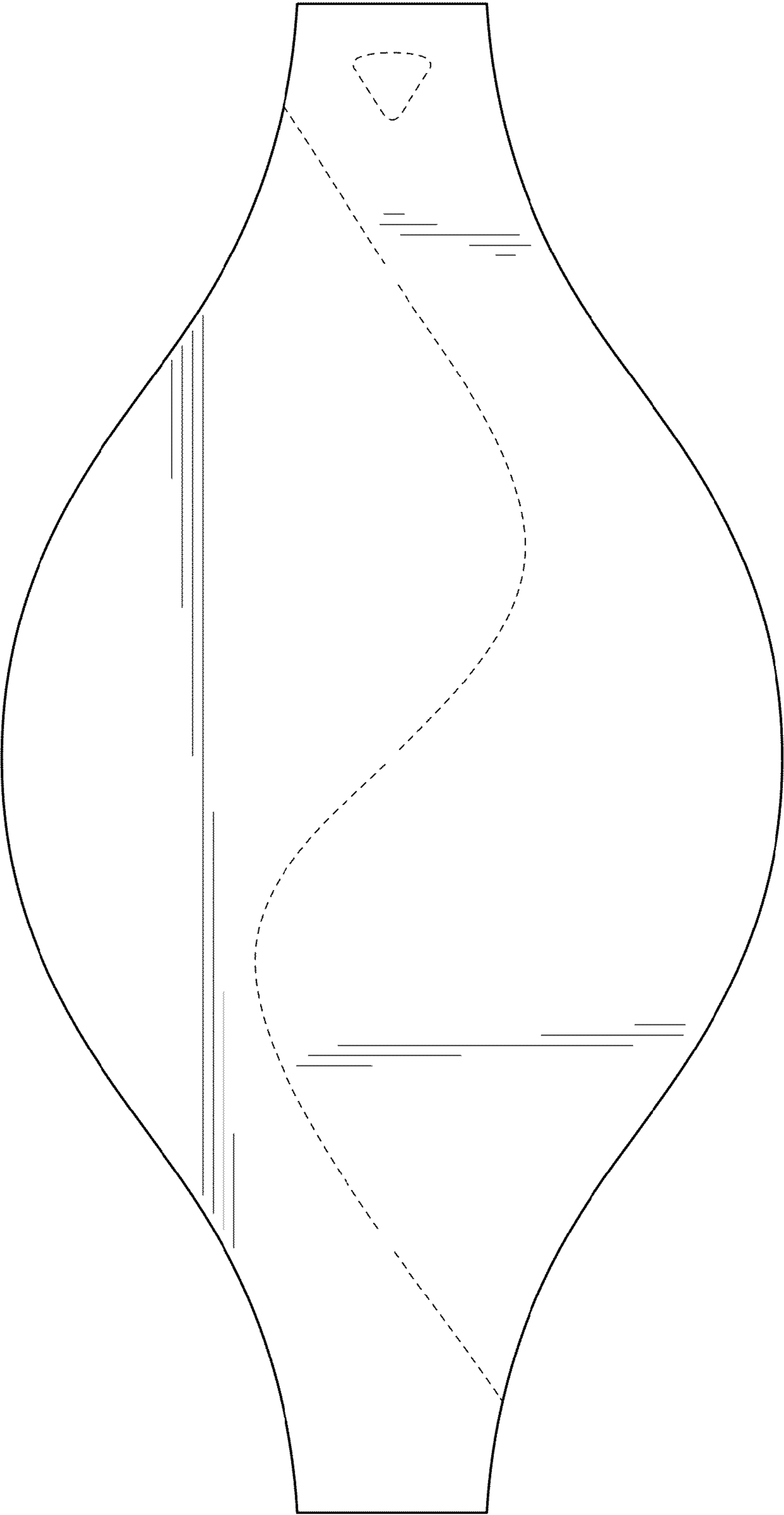


FIG. 16

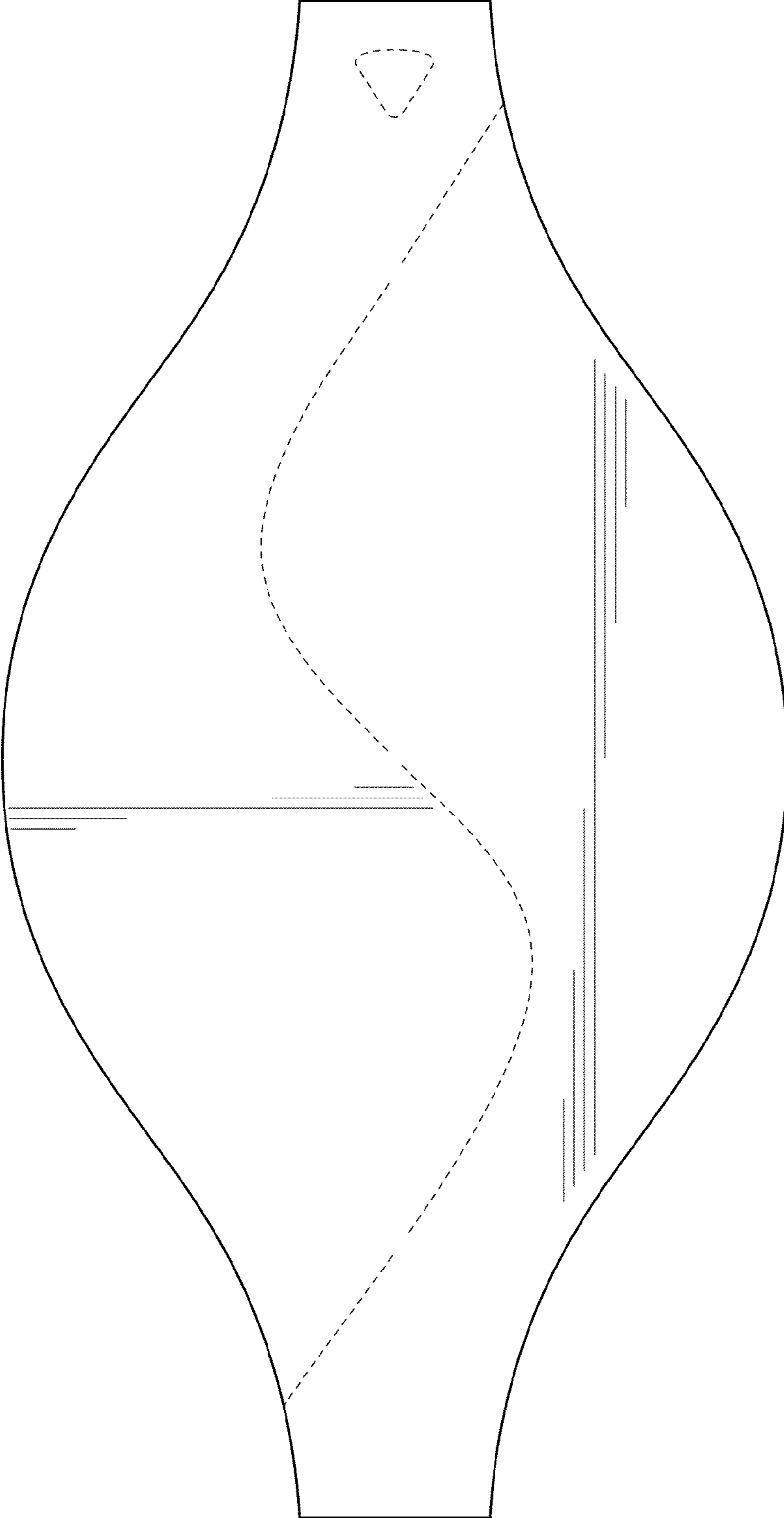


FIG. 17



FIG. 18



FIG. 19



FIG. 20

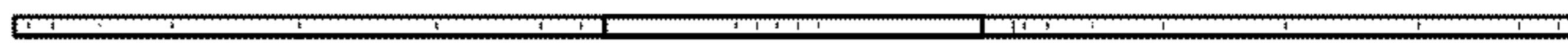


FIG. 21