



US00D722371S

(12) **United States Design Patent**  
**Behling**

(10) **Patent No.:** **US D722,371 S**

(45) **Date of Patent:** **\*\* Feb. 10, 2015**

(54) **CONTROL PANELS FOR TOILETS AND/OR URINALS**

(71) Applicant: **Geberit International AG**, Jona (CH)

(72) Inventor: **Christoph Behling**, London (GB)

(73) Assignee: **Geberit International AG**, Jona (CH)

(\*\*) Term: **14 Years**

(21) Appl. No.: **29/449,125**

(22) Filed: **Mar. 14, 2013**

(30) **Foreign Application Priority Data**

Sep. 17, 2012 (WO) ..... DM/079 095

Nov. 8, 2012 (WO) ..... DM/079 498

(51) **LOC (10) Cl.** ..... **23-02**

(52) **U.S. Cl.**  
USPC ..... **D23/309**

(58) **Field of Classification Search**  
USPC ..... D23/303, 309, 249, 250, 252, 254;  
4/410, 675-678, 661, DIG. 3; 137/801  
See application file for complete search history.

(56) **References Cited**

U.S. PATENT DOCUMENTS

3,561,015	A *	2/1971	Moore	4/410
5,135,022	A *	8/1992	Kovey et al.	137/801
5,855,027	A *	1/1999	Macedo	4/DIG. 3
6,604,249	B2 *	8/2003	Han et al.	4/410
6,785,913	B2 *	9/2004	Ho	4/325
D603,022	S *	10/2009	Schonherr et al.	D23/254
D648,831	S *	11/2011	Bradford	D23/309
8,104,104	B2 *	1/2012	Le et al.	4/410

\* cited by examiner

*Primary Examiner* — Robert Delehanty

(74) *Attorney, Agent, or Firm* — Sughrue Mion, PLLC

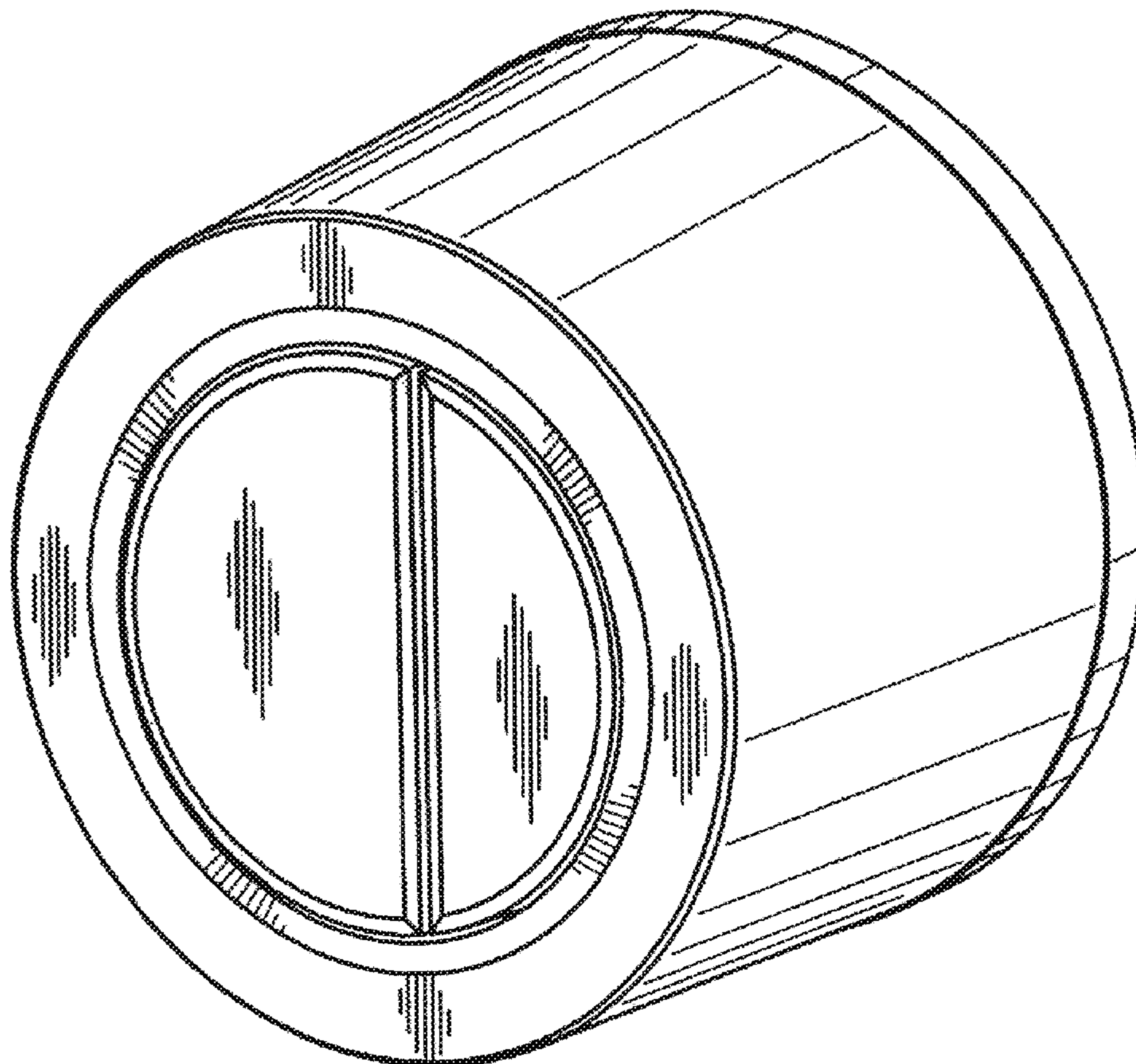
(57) **CLAIM**

The ornamental design for a control panels for toilets and/or urinals, as shown and described.

**DESCRIPTION**

FIG. 1 is a front view line drawing of my invention;  
FIG. 2 is a side elevation view line drawing thereof taken from all directions; and,  
FIG. 3 is a perspective view line drawing thereof.

**1 Claim, 3 Drawing Sheets**



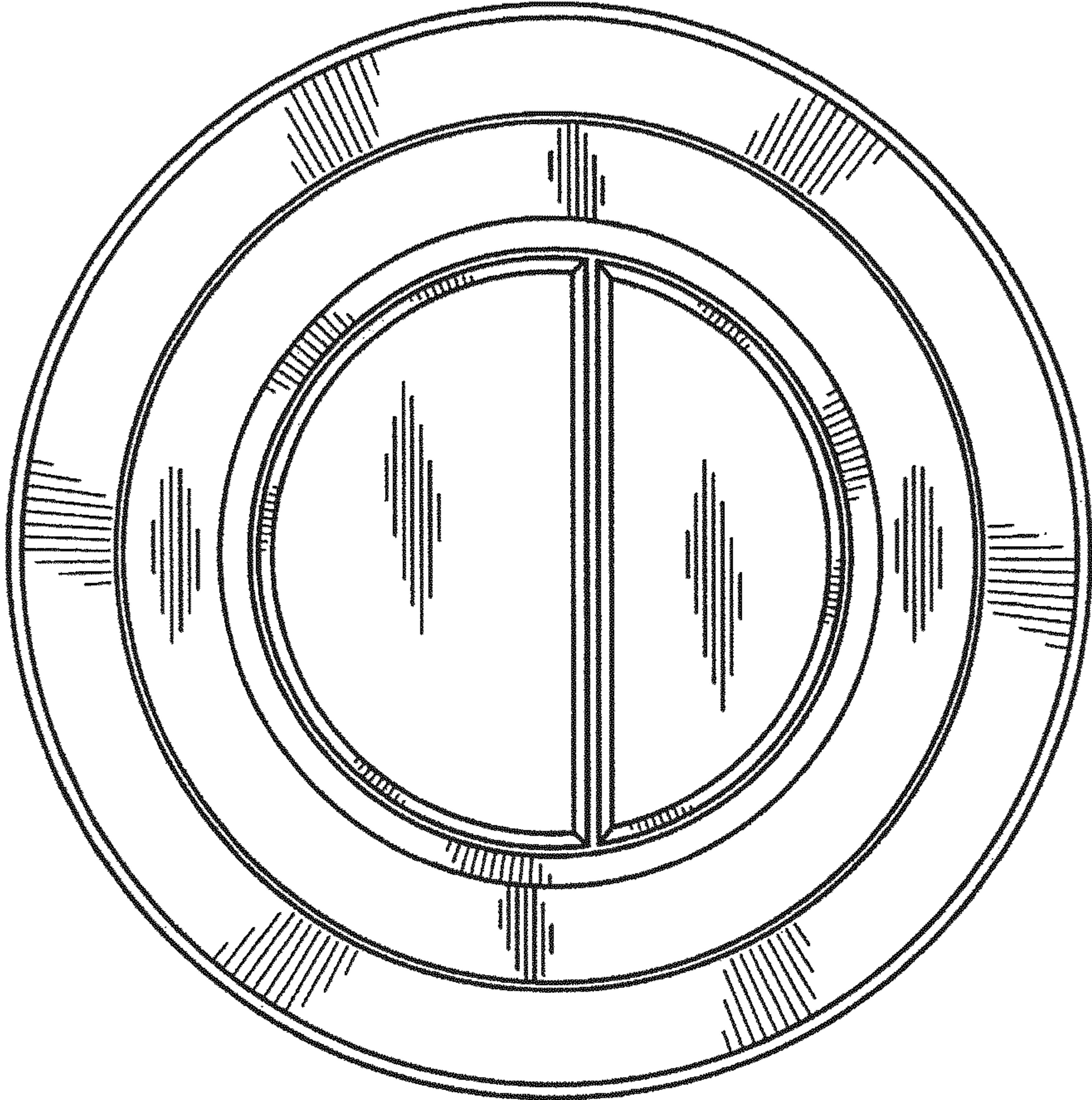


FIGURE 1

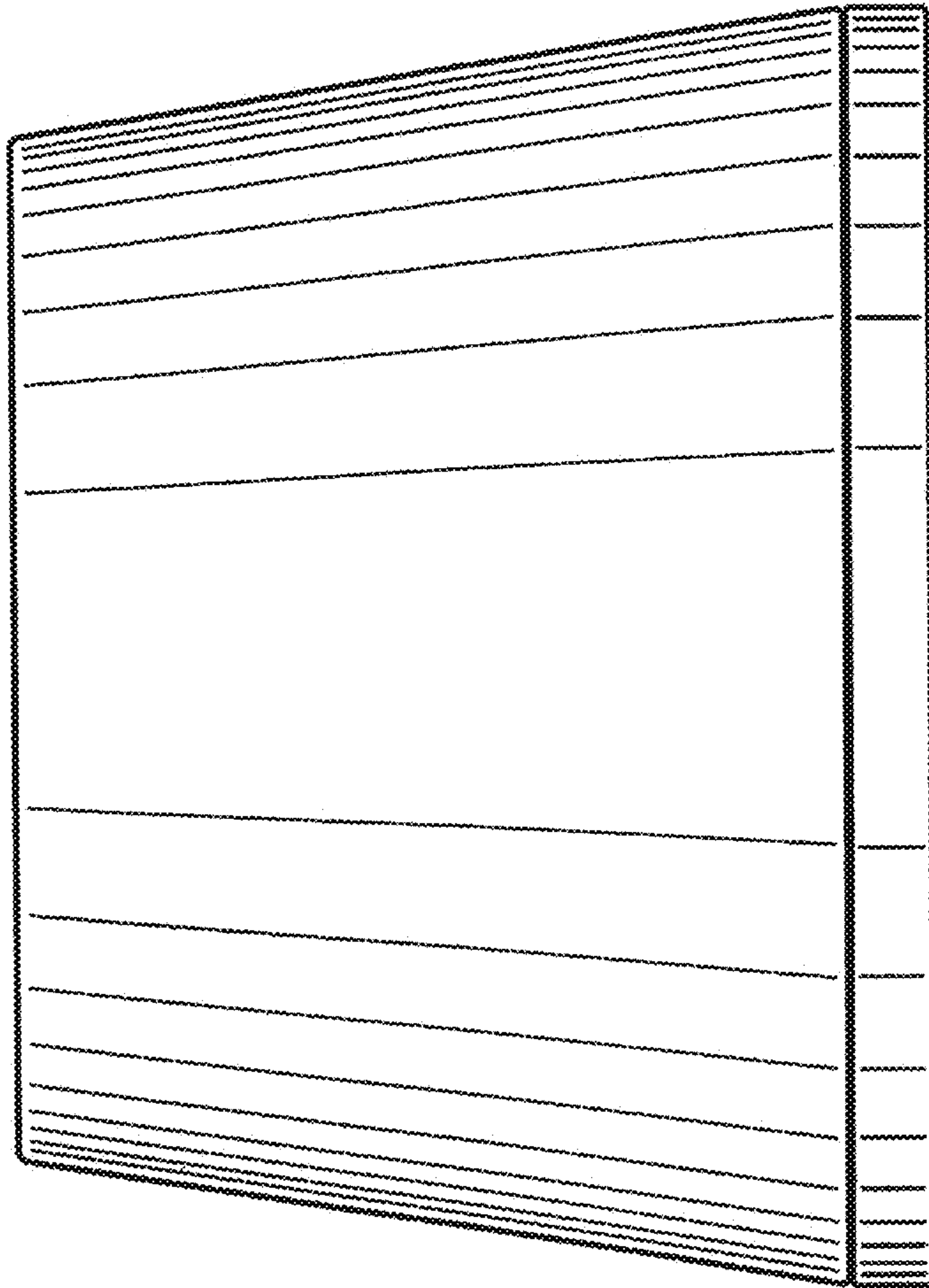


FIGURE 2



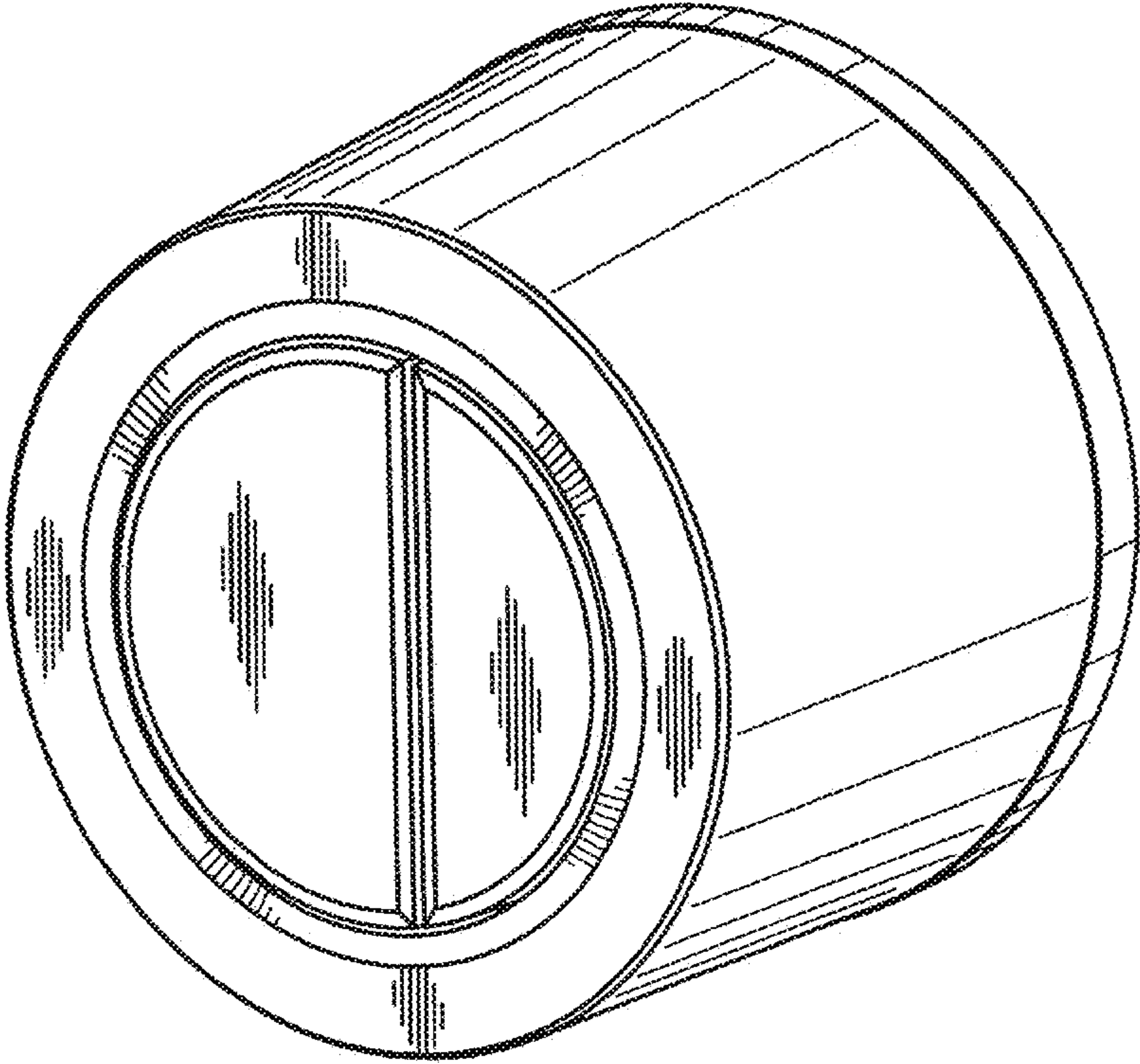


FIGURE 3