



US00D722370S

(12) **United States Design Patent**  
**LeTourneau et al.**

(10) **Patent No.:** **US D722,370 S**

(45) **Date of Patent:** **\*\* Feb. 10, 2015**

(54) **LAVATORY**

(71) Applicant: **Kohler Co.**, Kohler, WI (US)

(72) Inventors: **Alexander V. LeTourneau**, Sheboygan, WI (US); **Shawn J. Booth**, Sheboygan, WI (US); **Mary J. Reid**, Sheboygan, WI (US)

(73) Assignee: **Kohler Co.**, Kohler, WI (US)

(\*\*) Term: **14 Years**

(21) Appl. No.: **29/481,084**

(22) Filed: **Jan. 31, 2014**

(51) **LOC (10) Cl.** ..... **23-02**

(52) **U.S. Cl.**  
USPC ..... **D23/308**

(58) **Field of Classification Search**  
USPC ..... D23/284, 286–287, 290–291, 293.1,  
D23/303, 308; 4/619, 630–631, 638, 639,  
4/650, 661; D24/234  
See application file for complete search history.

(56) **References Cited**

**U.S. PATENT DOCUMENTS**

D191,432 S *	10/1961	Chapman	.....	D23/293.1
3,101,486 A *	8/1963	Tiller	.....	D23/293.1
D218,031 S *	7/1970	Wheeler	.....	D23/308
D243,241 S	2/1977	Doman		
D259,439 S	6/1981	Doman		
D295,068 S	4/1988	Kohler et al.		
D295,670 S	5/1988	Reid et al.		
D310,558 S	9/1990	Kohler et al.		
D313,068 S	12/1990	Kohler et al.		
D318,105 S	7/1991	Kohler et al.		
D319,691 S *	9/1991	Yvetot	.....	D23/293.1
D323,879 S	2/1992	Sauter		
D324,264 S	2/1992	Sauter et al.		
D324,903 S	3/1992	Sauter et al.		
D324,908 S	3/1992	Sauter et al.		
D324,909 S	3/1992	Sauter et al.		
D325,625 S	4/1992	Sauter et al.		

D337,155 S	7/1993	O'Connell		
D353,447 S	12/1994	Formgren		
D353,652 S	12/1994	Dannenberg		
D353,881 S	12/1994	Roach		
D356,859 S	3/1995	Formgren		
D387,857 S *	12/1997	McKeone	.....	D23/284

(Continued)

*Primary Examiner* — Robert Delehanty

(74) *Attorney, Agent, or Firm* — Foley & Lardner LLP

(57) **CLAIM**

We claim the ornamental design for a lavatory, as shown and described.

**DESCRIPTION**

FIG. 1 is a top perspective view of an embodiment of the claimed design;

FIG. 2 is a front view of the embodiment of the claimed design shown in FIG. 1;

FIG. 3 is a rear view of the embodiment of the claimed design shown in FIG. 1;

FIG. 4 is a side view of the embodiment of the claimed design shown in FIG. 1;

FIG. 5 is another side view of the embodiment of the claimed design shown in FIG. 1;

FIG. 6 is a top view of the embodiment of the claimed design shown in FIG. 1;

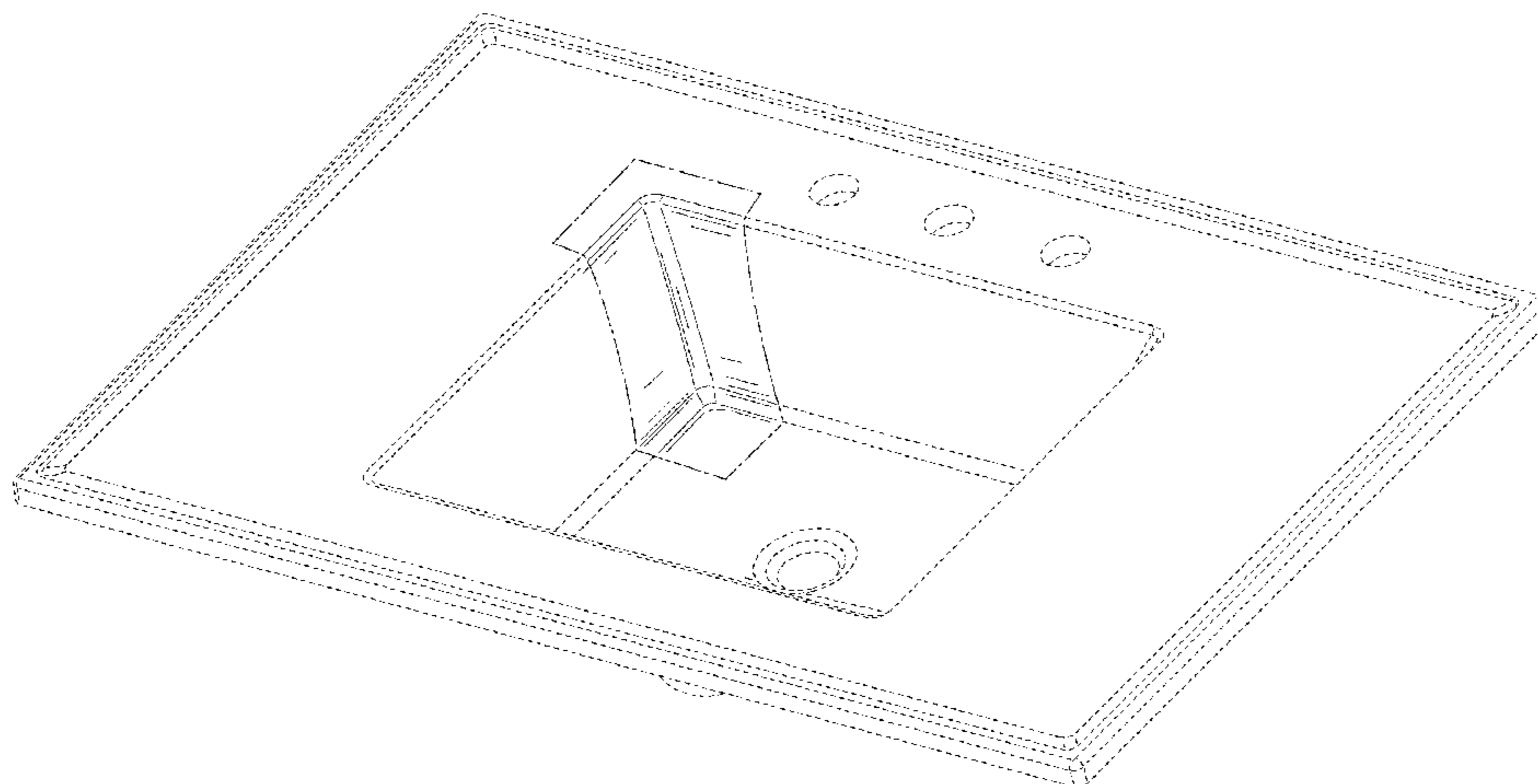
FIG. 7 is a bottom view of the embodiment of the claimed design shown in FIG. 1;

FIG. 8 is a cross-section view of the embodiment of the claimed design shown in FIG. 1; and,

FIG. 9 is a second cross-section view of the embodiment of the claimed design shown in FIG. 1.

The ornamental design which is claimed is shown in solid lines in the drawings. The broken lines in the drawings are for illustrative purposes only and form no part of the claimed design. Broken lines formed by equal length dashes show unclaimed portions of the design. Broken lines formed of unequal length dashes (i.e., dash-dot) show boundaries between claimed and unclaimed portions of the design.

**1 Claim, 6 Drawing Sheets**



(56)

**References Cited**

U.S. PATENT DOCUMENTS

D397,415 S *	8/1998	McKeone	.....	D23/202	D510,132 S *	9/2005	Piatt	.....	D23/293.1
D436,656 S	1/2001	McKeone			D518,560 S *	4/2006	Arkay-Leliever	.....	D23/290
D461,881 S *	8/2002	McKeone	.....	D23/293.1	D524,429 S *	7/2006	Bates	.....	D23/293.1
D463,538 S *	9/2002	Chipperfield	.....	D23/284	D538,407 S *	3/2007	Bates et al.	.....	D23/290
D473,293 S *	4/2003	Piatt	.....	D23/293.1	D588,245 S *	3/2009	Kohler et al.	.....	D23/293.1
D482,434 S *	11/2003	Piatt	.....	D23/293.1	D598,082 S	8/2009	Booth		
D495,793 S	9/2004	Bayer et al.			D601,675 S	10/2009	Booth et al.		
D497,416 S *	10/2004	Piatt	.....	D23/293.1	D603,484 S	11/2009	Eilmus		
D497,417 S	10/2004	Piatt			D622,365 S *	8/2010	Schönherr et al.	.....	D23/290
D504,939 S	5/2005	Piatt			D622,825 S	8/2010	LeTourneau et al.		
D506,532 S *	6/2005	Mayer	.....	D23/292	D645,946 S *	9/2011	Guzman Salazar	.....	D23/284
D506,534 S *	6/2005	Sutopo	.....	D23/293.1	D655,799 S *	3/2012	Vanderheyden et al.	....	D23/292
D507,044 S *	7/2005	Sutopo	.....	D23/293.1	D655,800 S *	3/2012	Vanderheyden et al.	. .	D23/293.1
					D657,028 S	4/2012	Eilmus		
					D657,851 S	4/2012	Eilmus		
					D682,998 S	5/2013	Eilmus		

\* cited by examiner

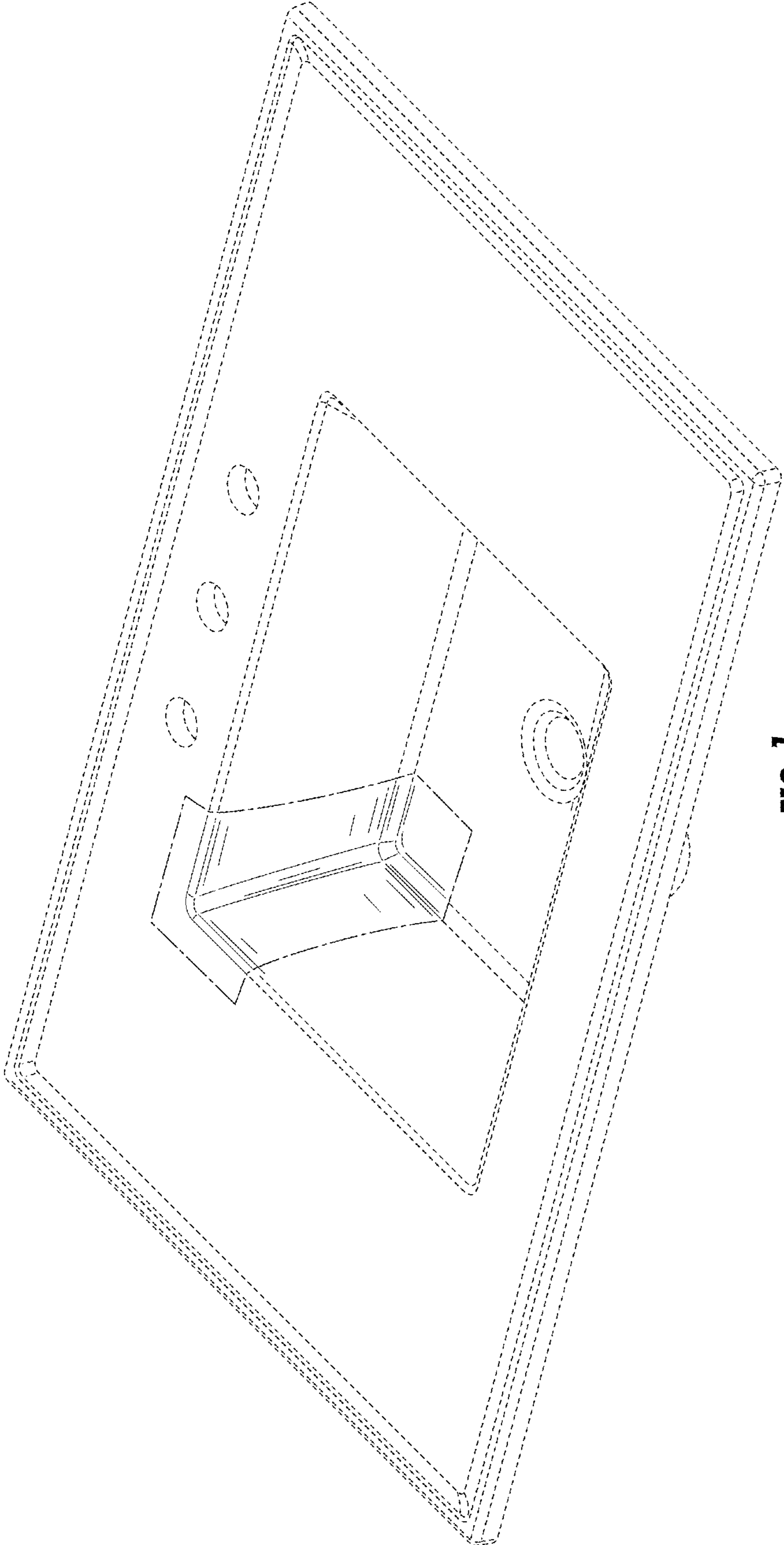


FIG. 1

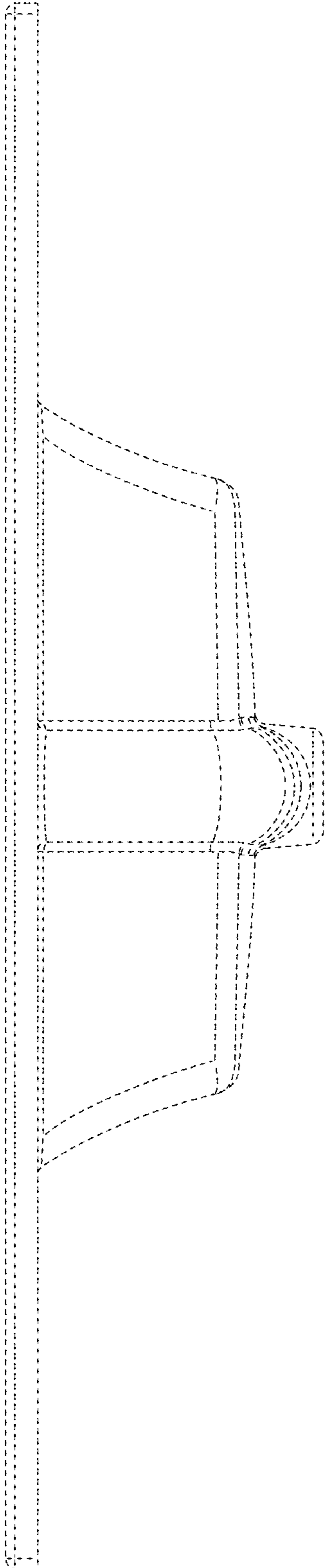


FIG. 2

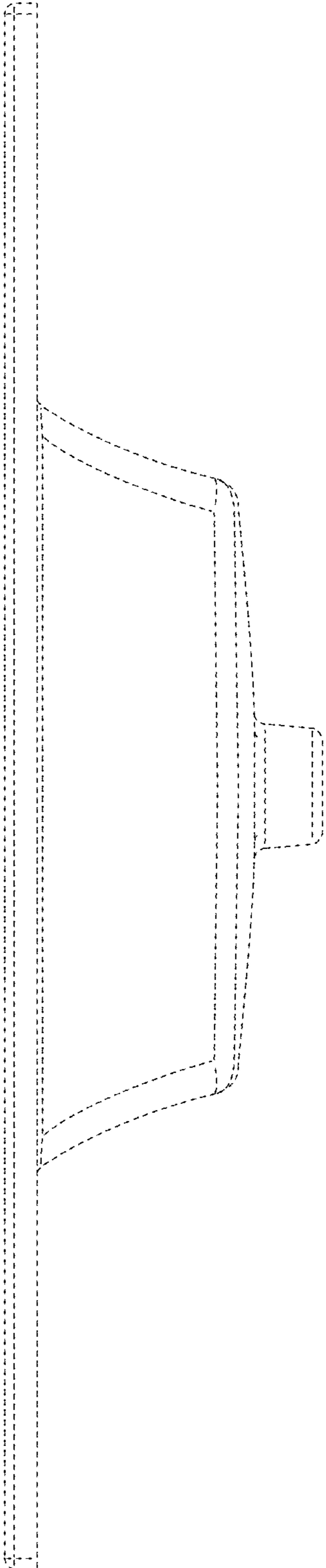


FIG. 3

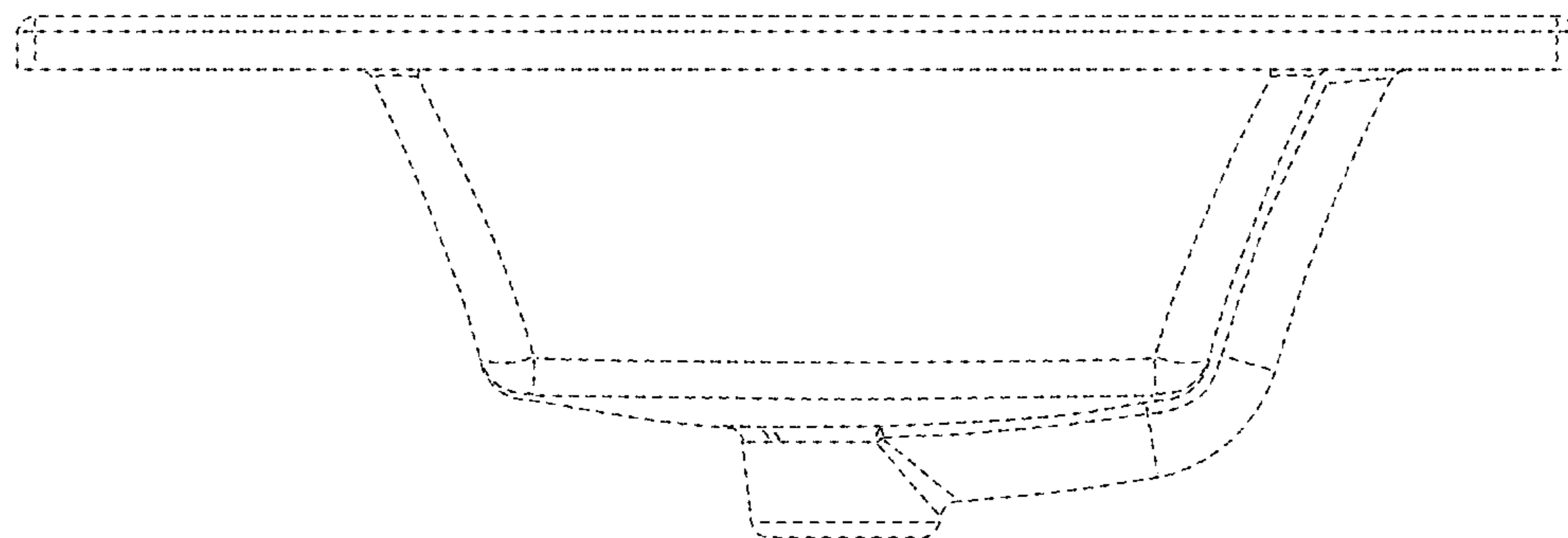


FIG. 4

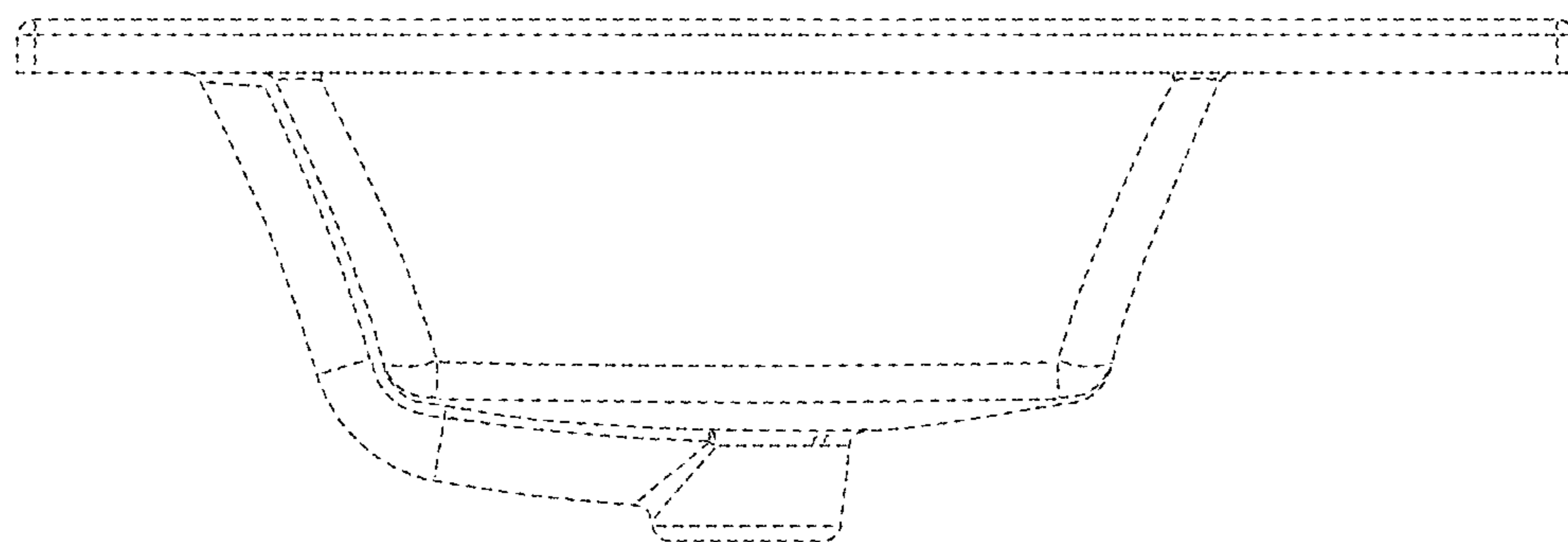


FIG. 5

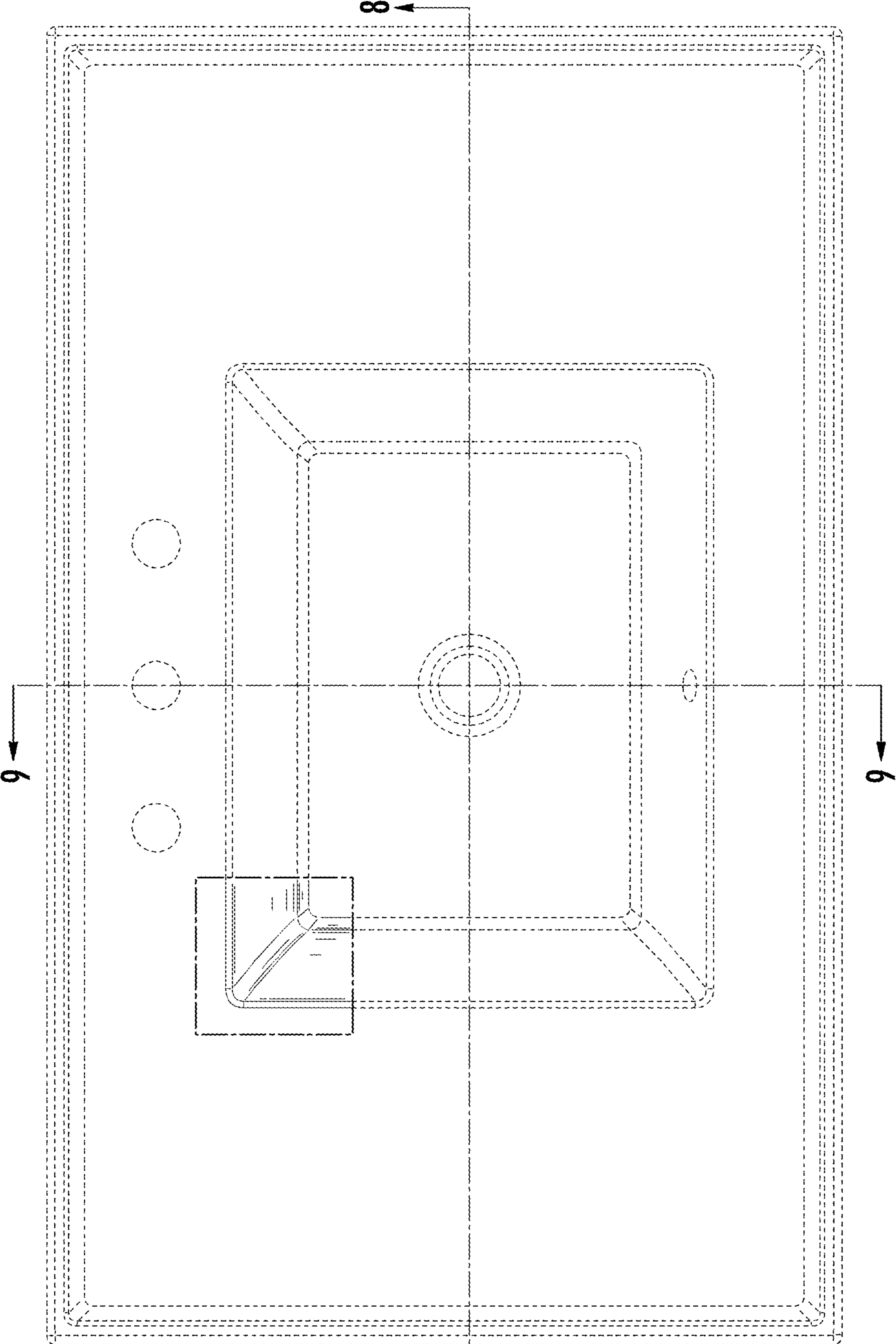


FIG. 6

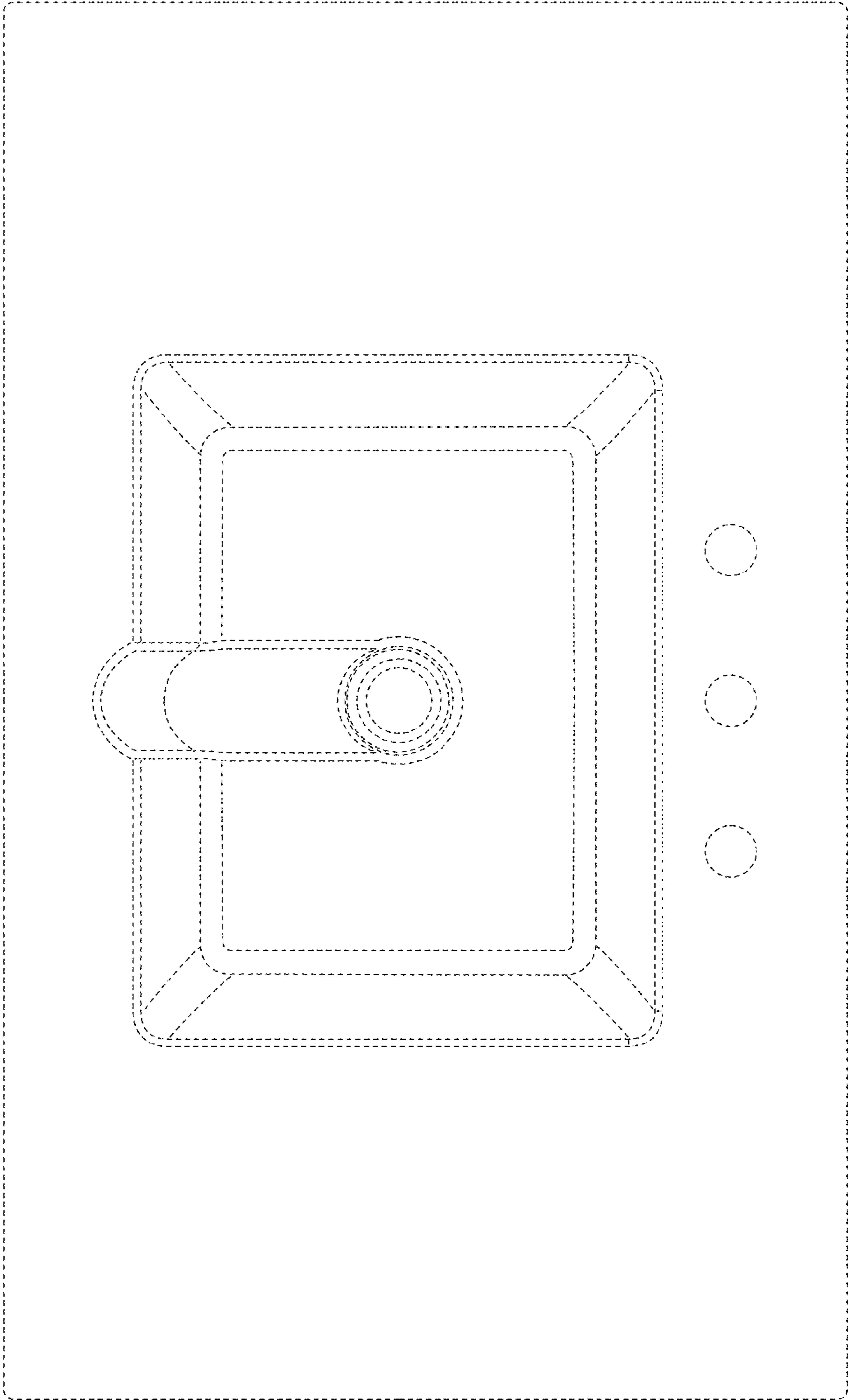


FIG. 7

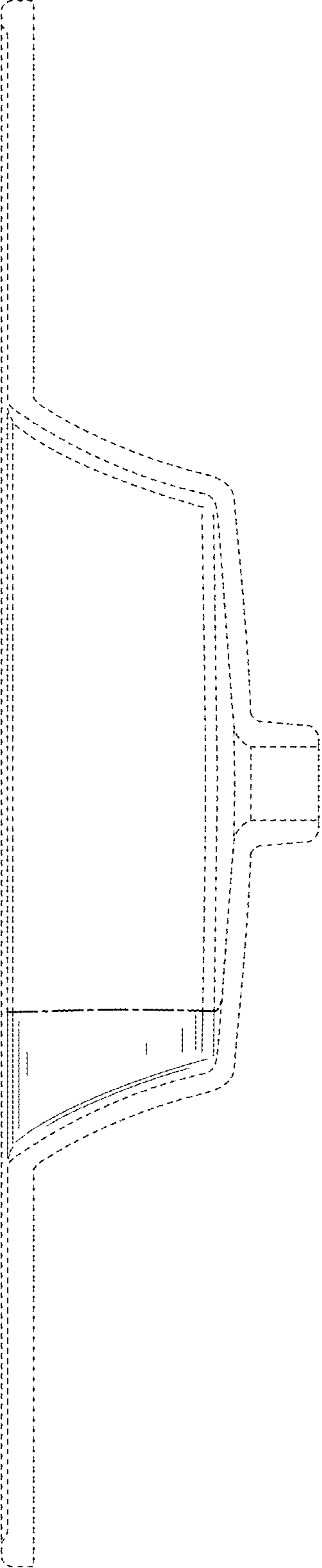


FIG. 8

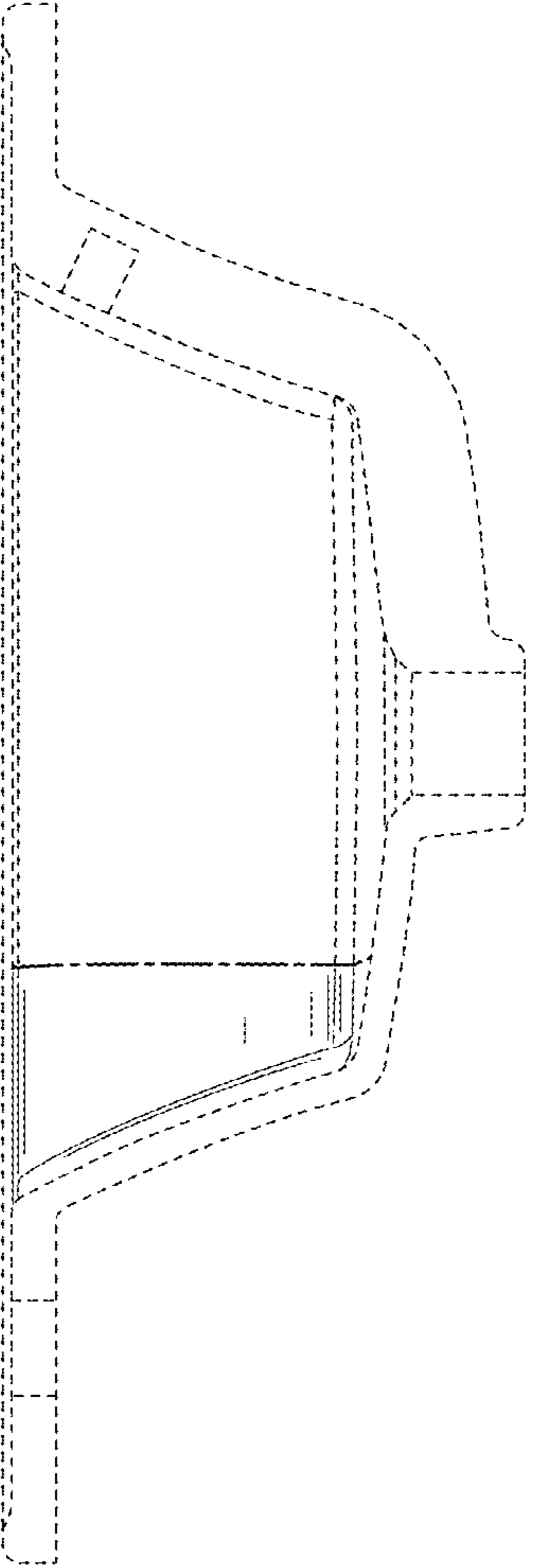


FIG. 9