



US00D722369S

(12) **United States Design Patent**  
**LeTourneau et al.**

(10) **Patent No.:** **US D722,369 S**

(45) **Date of Patent:** **\*\* Feb. 10, 2015**

(54) **COUNTERTOP**

(71) Applicant: **Kohler Co.**, Kohler, WI (US)

(72) Inventors: **Alexander V. LeTourneau**, Sheboygan, WI (US); **Shawn J. Booth**, Sheboygan, WI (US)

(73) Assignee: **Kohler Co.**, Kohler, WI (US)

(\*\*) Term: **14 Years**

(21) Appl. No.: **29/481,079**

(22) Filed: **Jan. 31, 2014**

(51) **LOC (10) Cl.** ..... **23-02**

(52) **U.S. Cl.**  
USPC ..... **D23/308**

(58) **Field of Classification Search**  
USPC ..... D23/284, 286–287, 290–291, 293.1,  
D23/303, 308; 4/619, 630–631, 638, 639,  
4/650, 661; D24/234

See application file for complete search history.

(56) **References Cited**

U.S. PATENT DOCUMENTS

D191,432 S	*	10/1961	Chapman	.....	D23/293.1
3,578,737 A	*	5/1971	Ruggles et al.	.....	4/631
D317,498 S		6/1991	Reid		
D319,497 S		8/1991	Reid		
D322,473 S		12/1991	Reid		
D326,903 S		6/1992	Reid		
D331,623 S		12/1992	Sauter et al.		
D391,353 S		2/1998	McKeone		
D407,470 S		3/1999	McKeone		
D422,347 S	*	4/2000	Kawamura	.....	D23/292
D461,881 S	*	8/2002	McKeone	.....	D23/293.1
D468,413 S		1/2003	McKeone		
D484,222 S	*	12/2003	Zenobio	.....	D23/293.1
D506,534 S	*	6/2005	Sutopo	.....	D23/293.1
D507,044 S	*	7/2005	Sutopo	.....	D23/293.1
D511,374 S	*	11/2005	Chen	.....	D23/293.1
D520,125 S		5/2006	Paredes et al.		

D538,903 S	*	3/2007	Paterson	.....	D23/293.1
D588,242 S	*	3/2009	Hanna	.....	D23/284
D634,823 S		3/2011	Grazioli et al.		
D655,799 S		3/2012	Vanderheyden et al.		

\* cited by examiner

*Primary Examiner* — Robert Delehanty

(74) *Attorney, Agent, or Firm* — Foley & Lardner LLP

(57) **CLAIM**

We claim the ornamental design for a countertop, as shown and described.

**DESCRIPTION**

FIG. 1 is a top perspective view of an embodiment of the claimed design;

FIG. 2 is a top view of the embodiment of the claimed design shown in FIG. 1;

FIG. 3 is a bottom view of the embodiment of the claimed design shown in FIG. 1;

FIG. 4 is a front view of the embodiment of the claimed design shown in FIG. 1;

FIG. 5 is a rear view of the embodiment of the claimed design shown in FIG. 1;

FIG. 6 is a side view of the embodiment of the claimed design shown in FIG. 1;

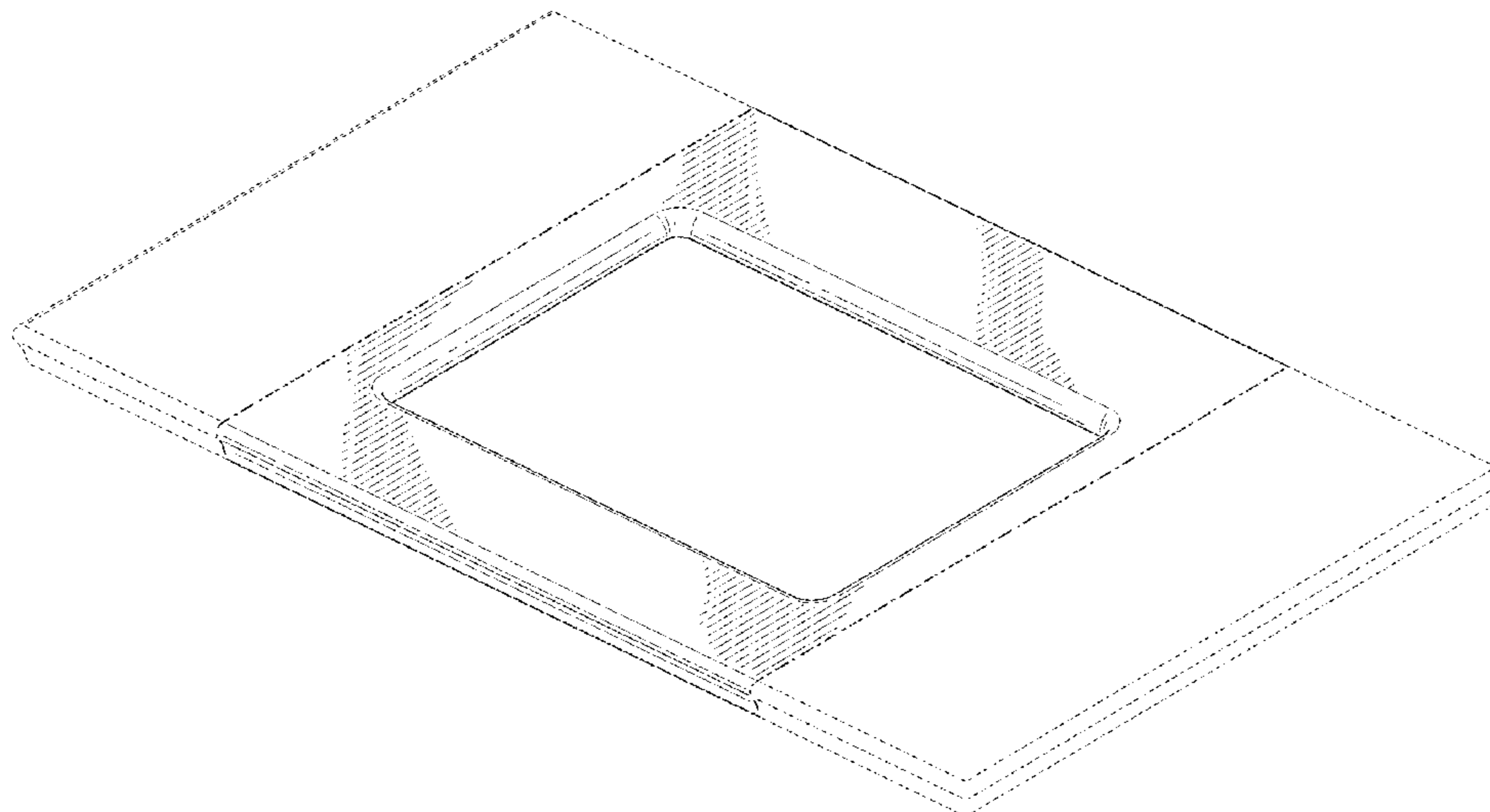
FIG. 7 is another side view of the embodiment of the claimed design shown in FIG. 1;

FIG. 8 is a cross-section view of the embodiment of the claimed design shown in FIG. 1; and,

FIG. 9 is a second cross-section view of the embodiment of the claimed design shown in FIG. 1.

The ornamental design which is claimed is shown in solid lines in the drawings. The broken lines in the drawings are for illustrative purposes only and form no part of the claimed design. Broken lines formed by equal length dashes show unclaimed portions of the design. Broken lines formed of unequal length dashes (i.e., dash-dot) show boundaries between claimed and unclaimed portions of the design.

**1 Claim, 5 Drawing Sheets**



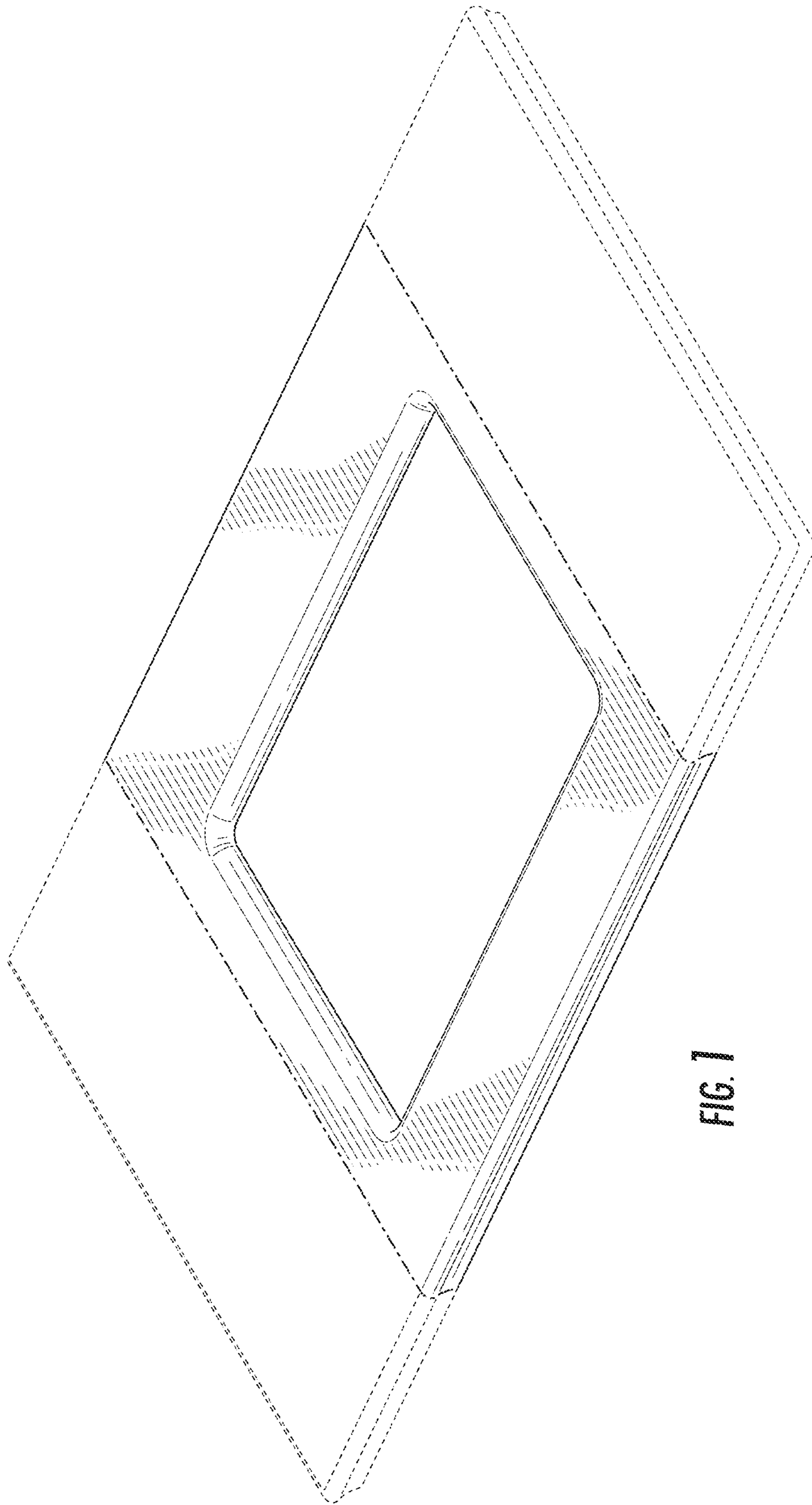
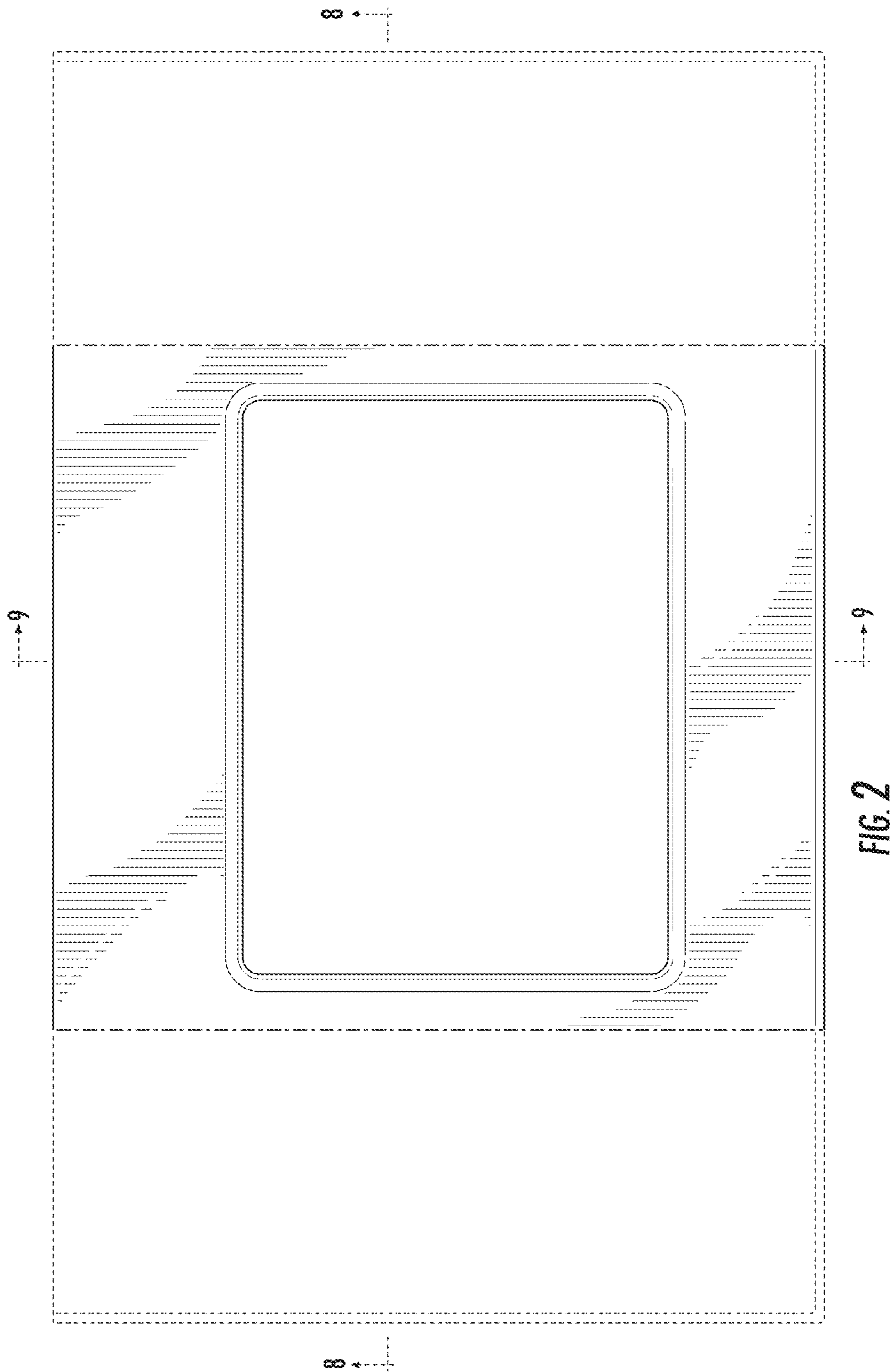


FIG. 1



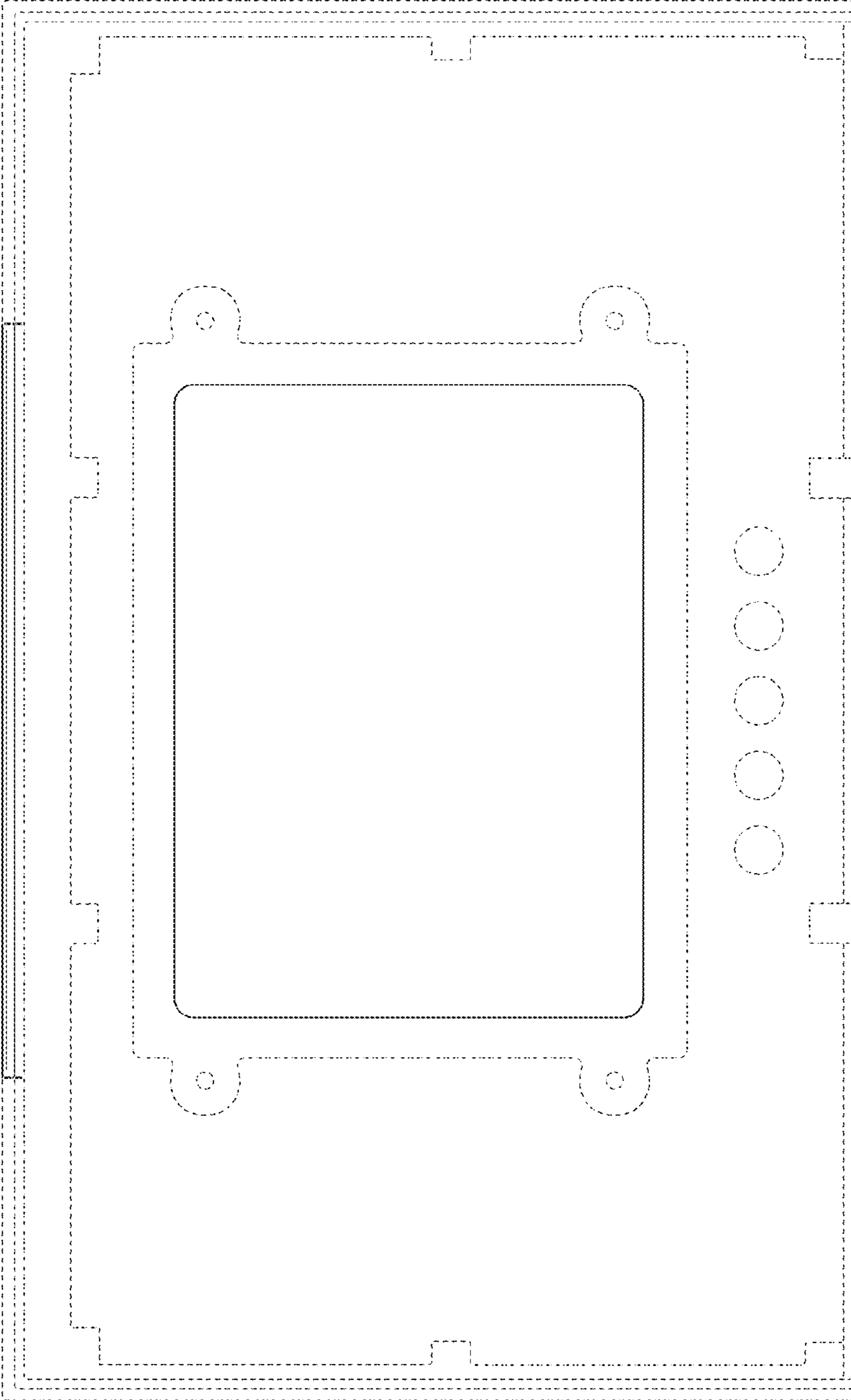


FIG. 3

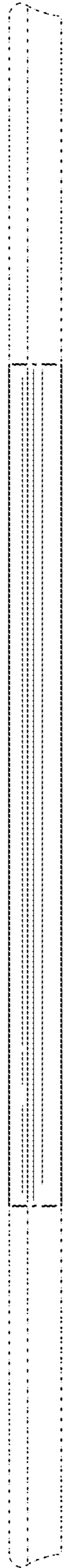


FIG. 4

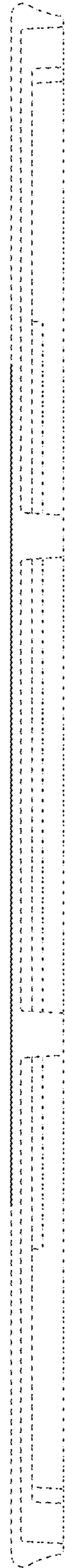


FIG. 5



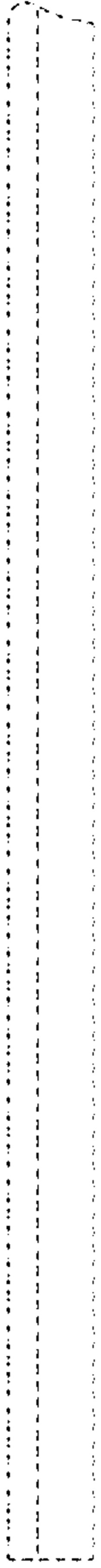


FIG. 6

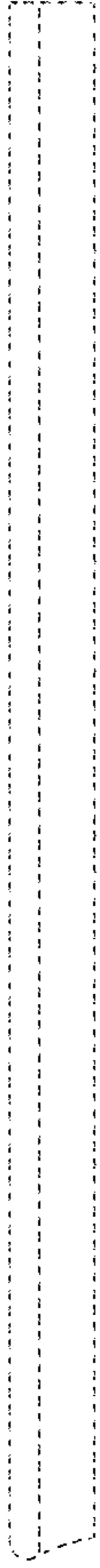


FIG. 7

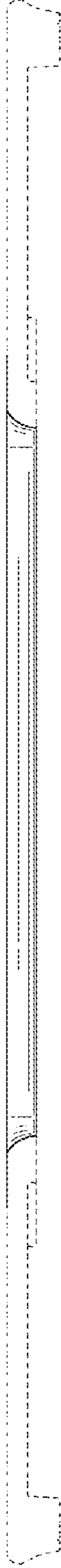


FIG. 8

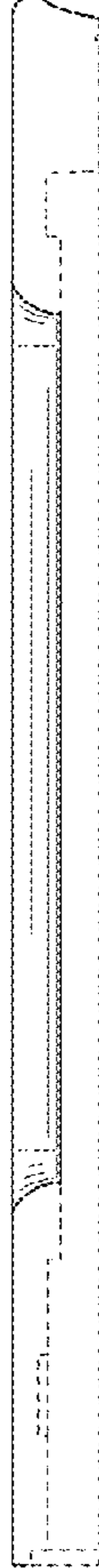


FIG. 9