



US00D722366S

(12) **United States Design Patent**
Beaudoin

(10) **Patent No.:** **US D722,366 S**

(45) **Date of Patent:** **** Feb. 10, 2015**

(54) **GUIDE FOR A FRAME FOR A SEWER GRATE**

(71) Applicant: **Canada Pipe Company ULC**, Hamilton (CA)

(72) Inventor: **Pierre-Laurent Beaudoin**, Lévis (CA)

(73) Assignee: **Canada Pipe Company ULC**, Hamilton, ON (CA)

(**) Term: **14 Years**

(21) Appl. No.: **29/499,470**

(22) Filed: **Aug. 15, 2014**

(30) **Foreign Application Priority Data**

Feb. 17, 2014 (CA) 155192

(51) **LOC (10) Cl.** **23-01**

(52) **U.S. Cl.**
USPC **D23/261**

(58) **Field of Classification Search**
USPC D23/259, 260, 261, 262, 263, 264, 265;
210/170, 170.01, 170.03, 162-166,
210/474; 404/4, 5; 405/118, 119; 52/16, 20
See application file for complete search history.

(56) **References Cited**

U.S. PATENT DOCUMENTS

490,301 A * 1/1893 Munson et al. 210/163
838,601 A * 12/1906 Willms et al. 4/416
1,460,733 A * 7/1923 Rigby 405/119
1,491,314 A * 4/1924 Rigby 405/119
1,763,174 A * 6/1930 Morris 68/237
1,858,268 A * 5/1932 Fleming 285/43
2,701,027 A 2/1955 Scoville
3,304,685 A 2/1967 Whetstone
D244,854 S 6/1977 Salamone
4,279,541 A * 7/1981 Bruhn et al. 405/119
D267,268 S 12/1982 Johnson

D270,292 S 8/1983 Johnson
D280,126 S * 8/1985 Provan et al. D23/262
4,952,094 A 8/1990 Spiess et al.
5,279,007 A * 1/1994 Kolada 4/639
D352,573 S 11/1994 Sampson et al.
D369,404 S 4/1996 Vestal
6,045,691 A * 4/2000 McDermott 210/164
6,270,662 B1 * 8/2001 Gibson et al. 210/163

(Continued)

FOREIGN PATENT DOCUMENTS

EP 0337110 A1 10/1989

OTHER PUBLICATIONS

Gully Grating, Kerb Gratings, Products and Services, indiamart.com, Searched Oct. 7, 2014, <http://www.indiamart.com/jpkmetallics/kerb-gratings.html#gully-grating>.*

Primary Examiner — Eric Goodman

Assistant Examiner — Steven Czyz

(74) *Attorney, Agent, or Firm* — Fasken Martineau

(57) **CLAIM**

The ornamental design for a guide for a frame for a sewer grate, as shown and described.

DESCRIPTION

FIG. 1 is a right perspective view of the guide for a frame for a sewer grate;

FIG. 2 is a front view thereof;

FIG. 3 is a rear view thereof;

FIG. 4 is a left side elevation view thereof;

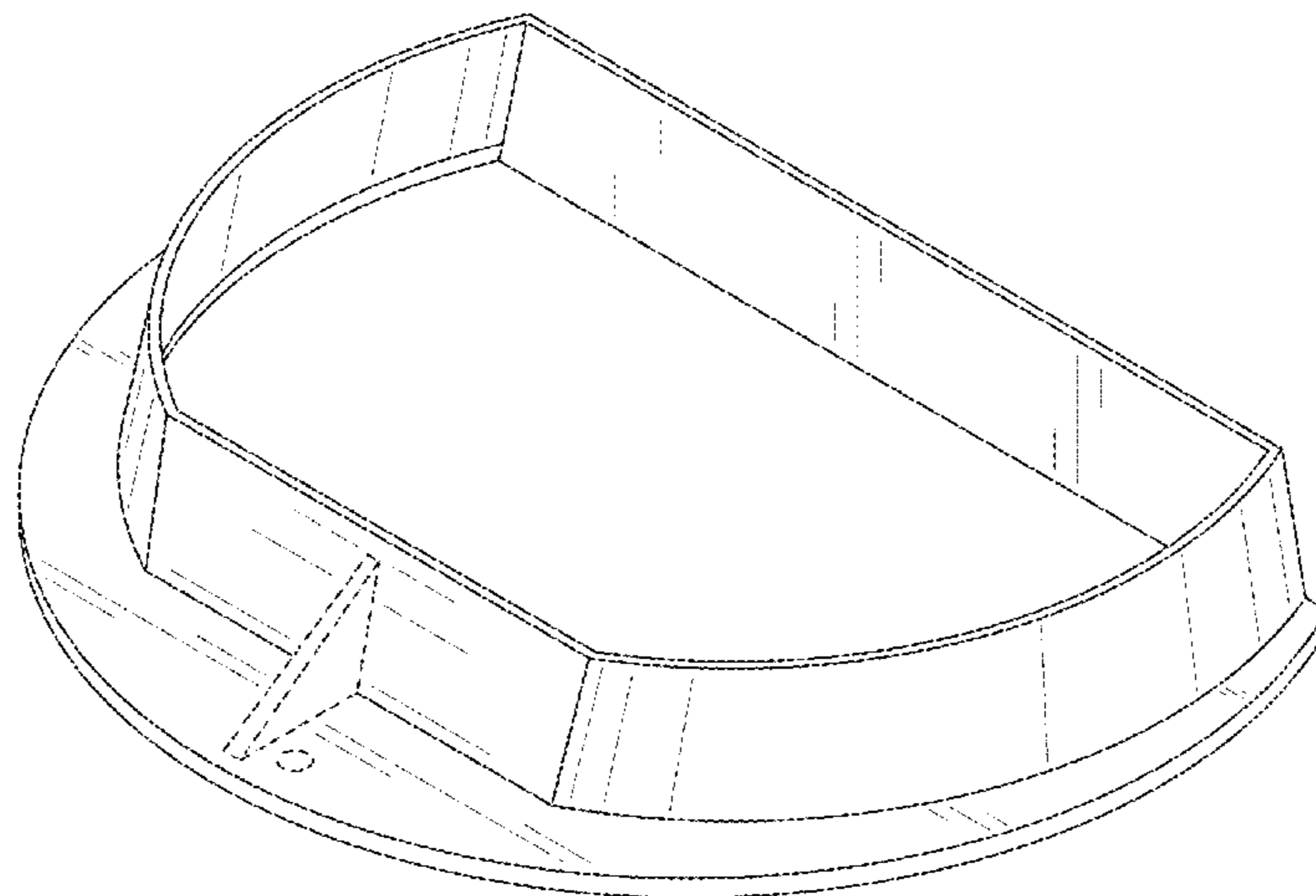
FIG. 5 is a right side elevation view thereof;

FIG. 6 is a top view thereof; and,

FIG. 7 is a bottom view thereof.

The broken line showing is included for the purpose of illustrating portions of the article and forms no part of the claimed design.

1 Claim, 5 Drawing Sheets



(56)

References Cited

U.S. PATENT DOCUMENTS

6,385,913 B1 * 5/2002 Ahn 52/20
6,537,446 B1 * 3/2003 Sanguinetti 210/163
6,869,525 B1 * 3/2005 Happel 210/163
7,040,838 B2 * 5/2006 Allard et al. 405/36
D596,273 S * 7/2009 Porter D23/267
D630,714 S 1/2011 Dukes

8,292,541 B2 10/2012 Akkala
8,591,729 B2 * 11/2013 Alqanee 210/116
D699,820 S * 2/2014 Beaudoin D23/267
D699,821 S * 2/2014 Beaudoin D23/267
2002/0071722 A1 * 6/2002 Allard 405/43
2004/0112811 A1 6/2004 Lindemulder
2006/0011527 A1 * 1/2006 McDermott et al. 210/163
2008/0179229 A1 * 7/2008 Dorsey 210/163
2013/0186811 A1 7/2013 Kaiser

* cited by examiner

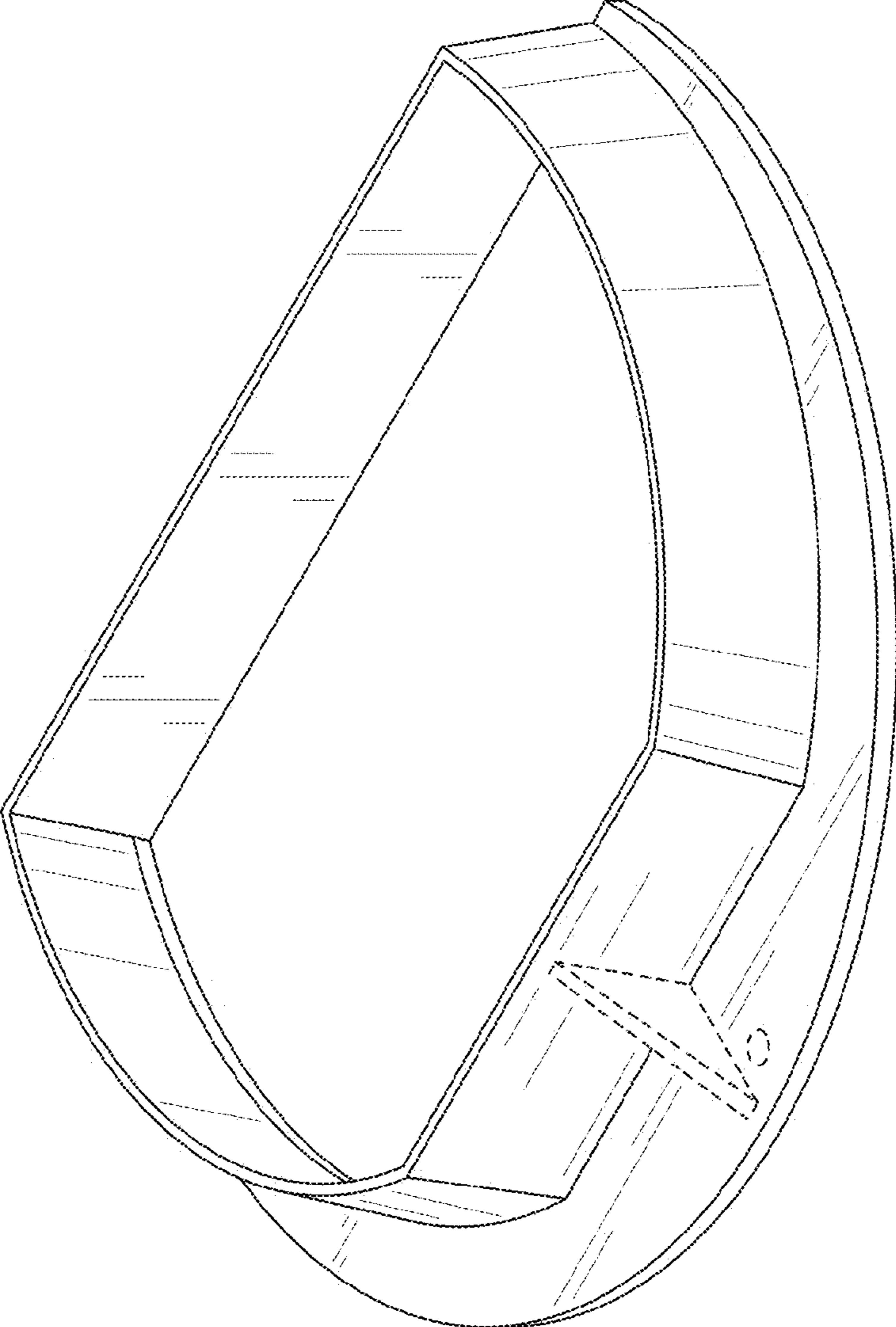


FIG. 1

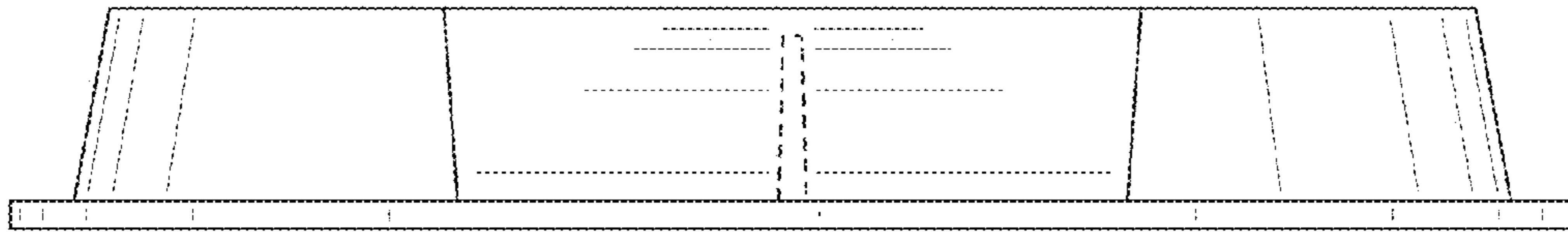


FIG. 2

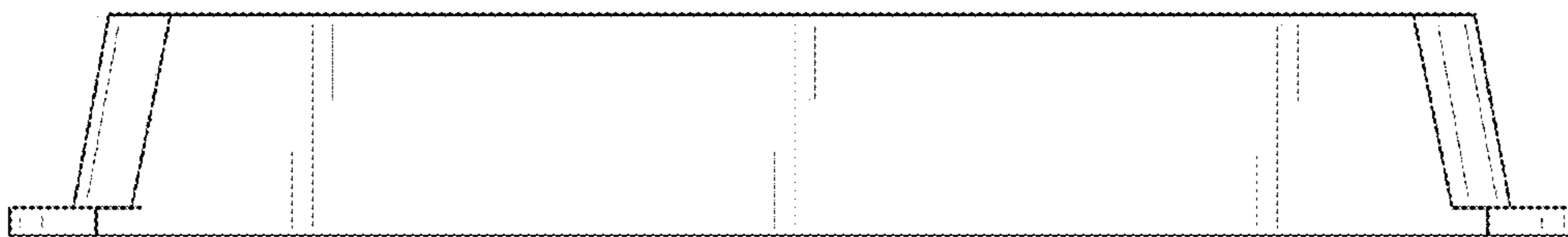


FIG. 3

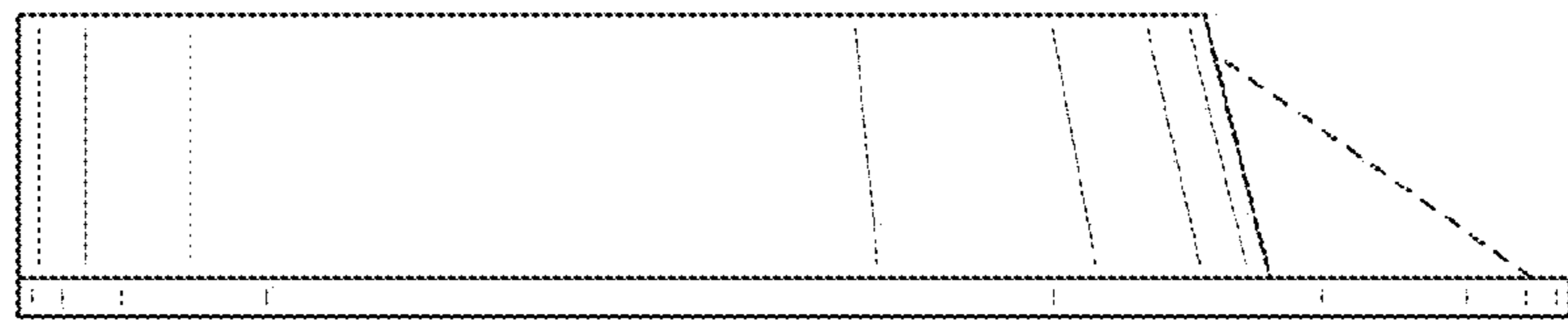


FIG. 4

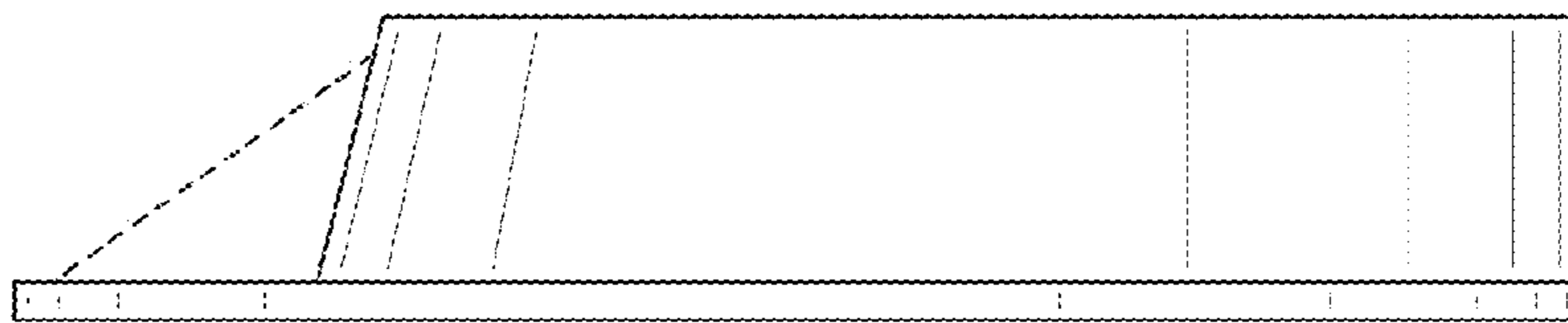


FIG. 5

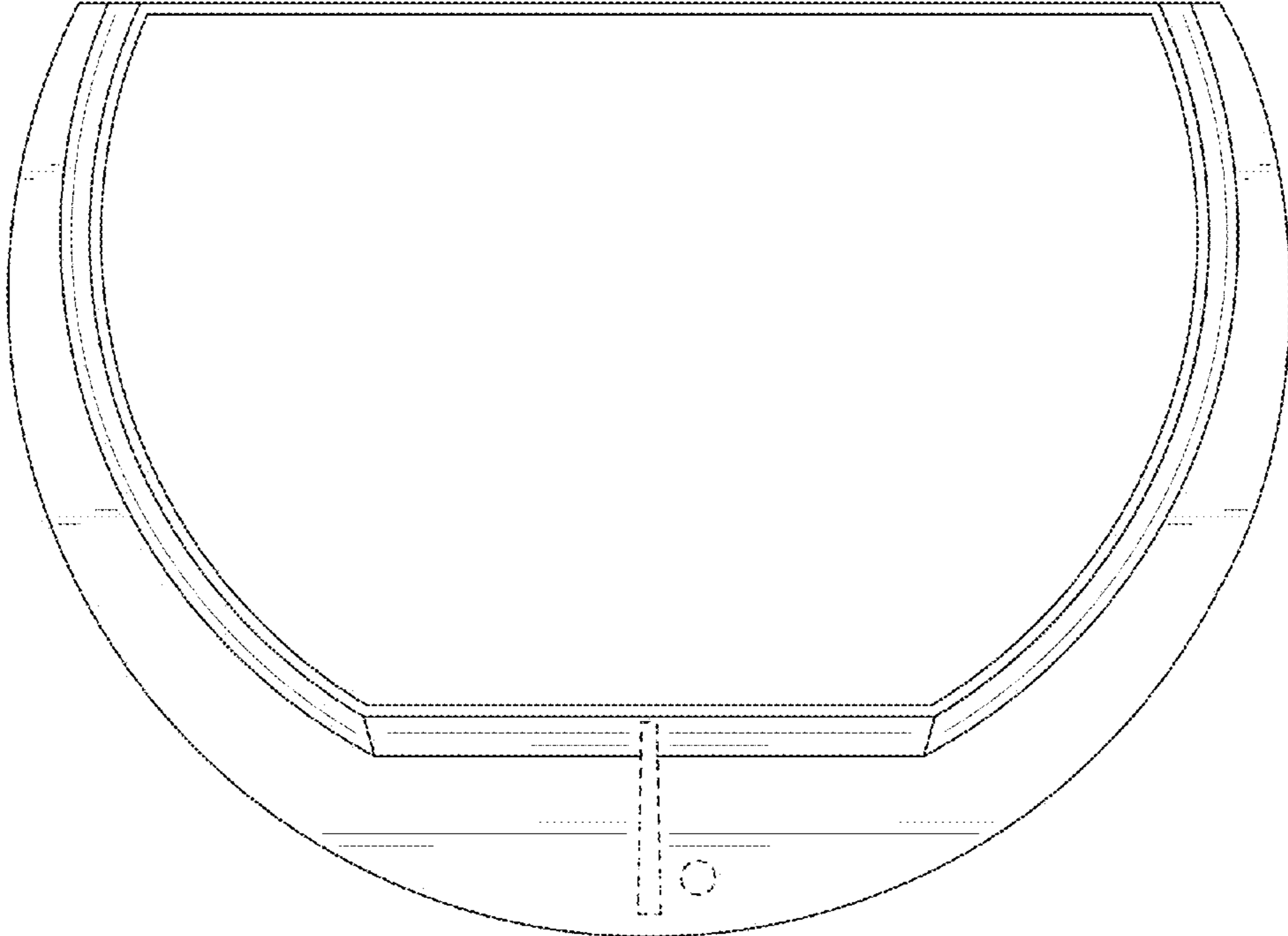


FIG. 6

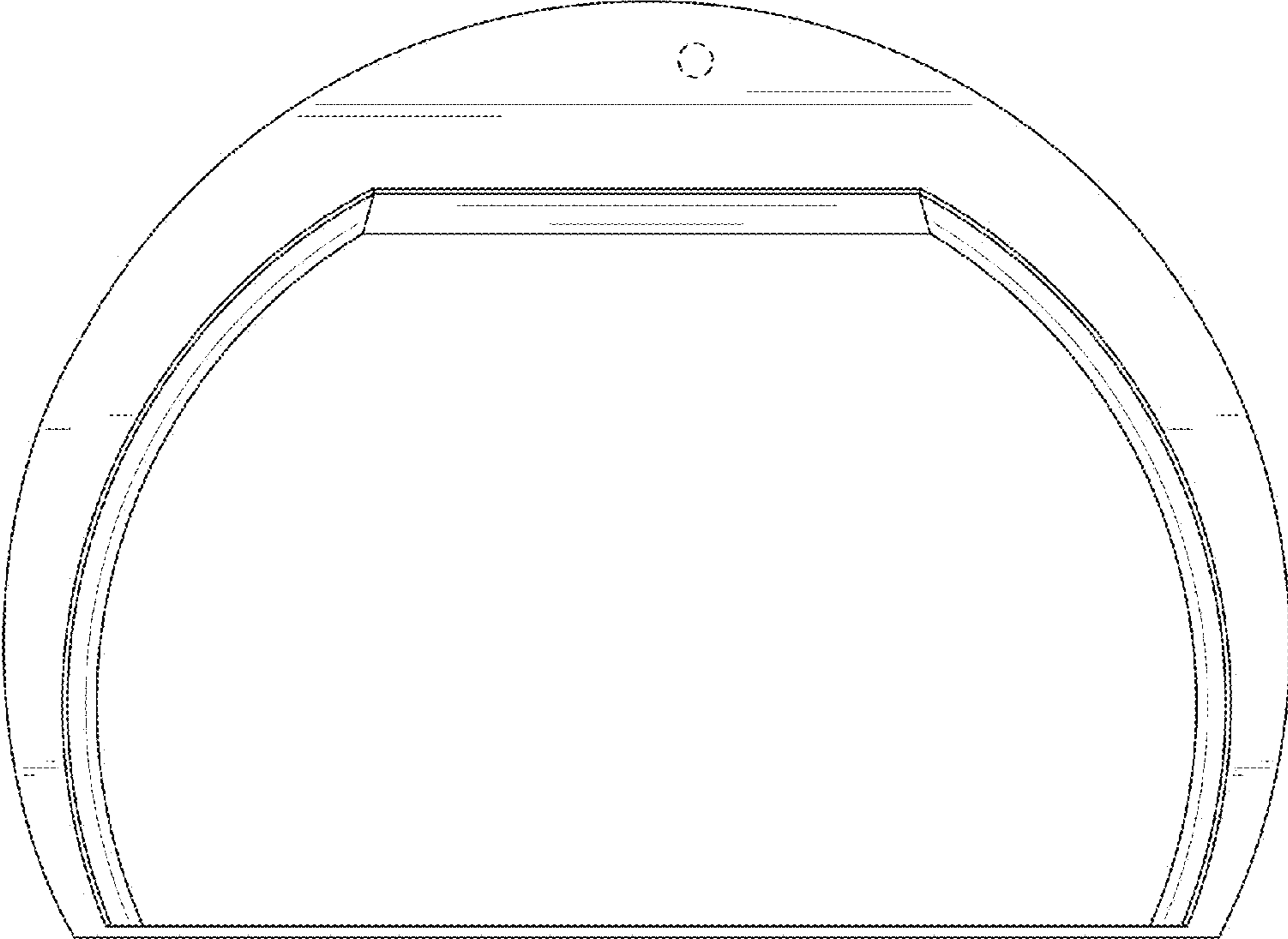


FIG. 7