



US00D722365S

(12) **United States Design Patent**
Bernoti

(10) **Patent No.:** **US D722,365 S**
(45) **Date of Patent:** **** Feb. 10, 2015**

(54) **DRAIN COVER**

(71) Applicant: **Carlos Bernoti**, Caracas (VE)

(72) Inventor: **Carlos Bernoti**, Caracas (VE)

(**) Term: **14 Years**

(21) Appl. No.: **29/490,544**

(22) Filed: **May 12, 2014**

(51) **LOC (10) Cl.** **23-01**

(52) **U.S. Cl.**

USPC **D23/259**

(58) **Field of Classification Search**

USPC D23/259, 260, 261, 262, 263, 264, 265;
D25/149, 150, 151, 152, 153, 154, 155,
D25/156, 157, 158, 159; D7/332; 210/162,
210/163, 164, 165, 166; 404/2, 3, 4; 4/651;
405/36, 118, 119

See application file for complete search history.

(56) **References Cited**

U.S. PATENT DOCUMENTS

4,655,913	A *	4/1987	Boersma	210/163
D302,019	S *	7/1989	Dehlen	D15/147
5,324,135	A *	6/1994	Smith	404/25
D367,972	S *	3/1996	Valls et al.	D6/468
D367,973	S *	3/1996	Valls et al.	D6/468
D459,007	S *	6/2002	Campacci	D25/119
D460,827	S *	7/2002	Chaffiotte et al.	D24/219
D492,425	S *	6/2004	Johnson	D25/155
6,766,545	B2 *	7/2004	Hodges	4/679
D501,672	S *	2/2005	Ledsworth	D23/261
D521,127	S *	5/2006	Hogenson	D23/267
D567,639	S *	4/2008	McConnell et al.	D8/381
D575,881	S *	8/2008	Diamond	D25/156
D581,487	S *	11/2008	Wildfang	D23/249
D597,653	S *	8/2009	Calkins	D23/388
7,704,010	B2 *	4/2010	Nolle et al.	404/25
D617,914	S *	6/2010	Sims	D25/142
7,798,742	B2 *	9/2010	Nolle et al.	404/25

D624,787	S *	10/2010	Adams et al.	D7/409
D632,518	S *	2/2011	Schmidt et al.	D6/561
8,043,497	B2 *	10/2011	Silverstein et al.	210/164
D672,439	S *	12/2012	Heiser et al.	D23/261
D679,133	S *	4/2013	Borovicka et al.	D7/402
D685,925	S *	7/2013	Kim	D25/155
D685,926	S *	7/2013	Kim	D25/155
D685,927	S *	7/2013	Kim	D25/155
8,490,361	B2 *	7/2013	Curry et al.	52/592.4
D687,524	S *	8/2013	Heiser	D23/261
D687,525	S *	8/2013	Heiser	D23/261
D687,526	S *	8/2013	Heiser	D23/261
D687,527	S *	8/2013	Heiser et al.	D23/261
D687,575	S *	8/2013	Kim	D25/155
D689,989	S *	9/2013	Vessels et al.	D23/261
D693,493	S *	11/2013	Kim	D25/155
D693,946	S *	11/2013	Kim	D25/157
D694,863	S *	12/2013	Brodey et al.	D23/261

(Continued)

OTHER PUBLICATIONS

Geometric Wheat, Designer Drains, designerdrains.com, Searched Oct. 28, 2014, <http://www.designerdrains.com/geometricwheatno2zurn.aspx>.*

Primary Examiner — Eric Goodman

Assistant Examiner — Steven Czyz

(74) *Attorney, Agent, or Firm* — Derek Fahey, Esq.

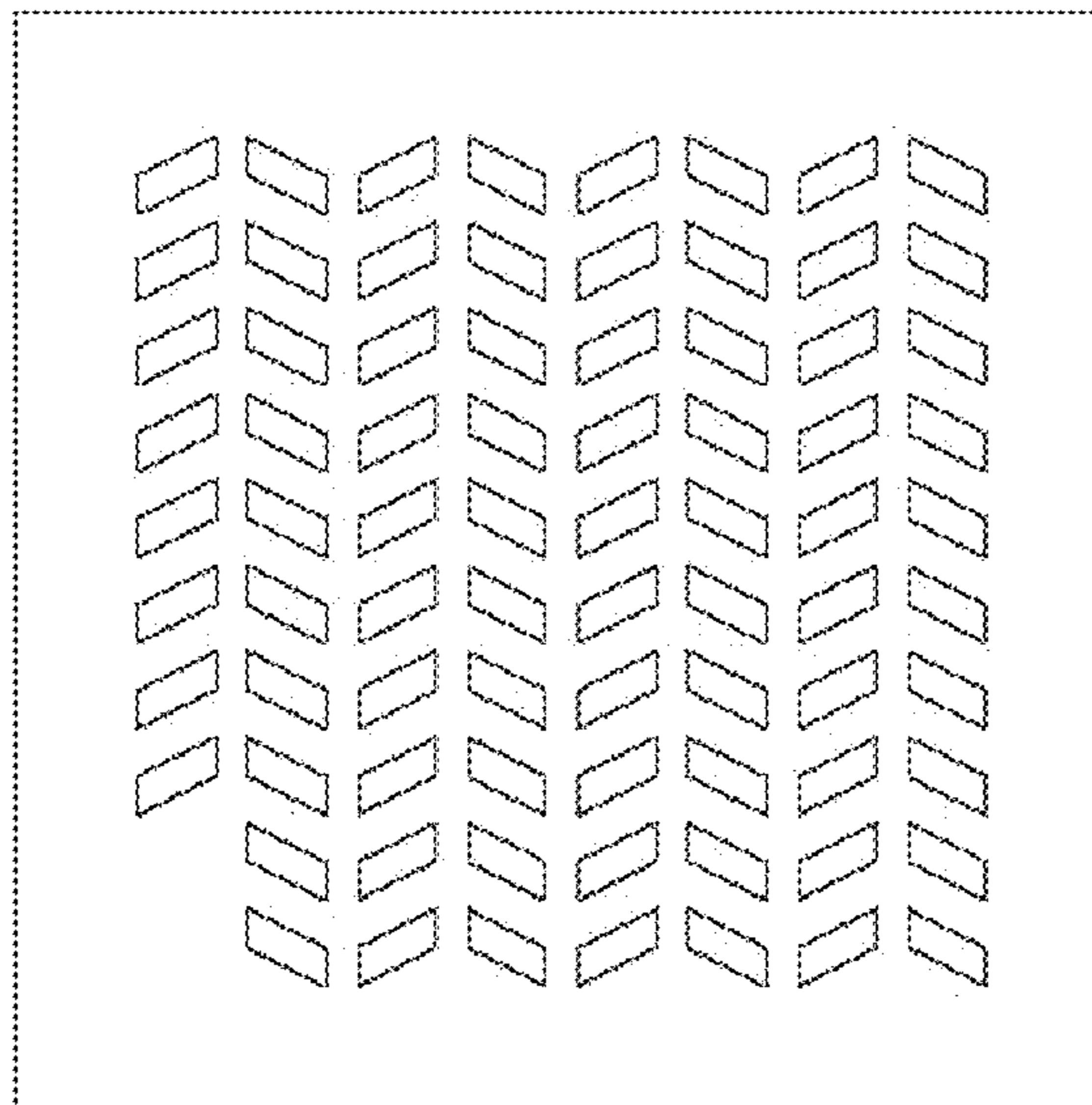
(57) **CLAIM**

The ornamental design for drain cover, as shown and described.

DESCRIPTION

FIG. 1 is a top perspective view of the drain cover.
FIG. 2 is a bottom perspective view of the drain cover.
FIG. 3 is a top view of the drain cover.
FIG. 4 is a side view of the drain cover.
FIG. 5 is a bottom view of the drain cover; and,
FIG. 6 is another side view of the drain cover.

1 Claim, 1 Drawing Sheet



(56)

References Cited

U.S. PATENT DOCUMENTS

8,640,403	B2 *	2/2014	Masaneck et al.	52/177	2010/0126917	A1 *	5/2010	Wroblewski	210/166
8,679,328	B2 *	3/2014	Hebert	210/163	2012/0037553	A1 *	2/2012	Silverstein et al.	210/163
2008/0271232	A1 *	11/2008	Self	4/292	2013/0264256	A1 *	10/2013	Hebert	210/163
					2013/0313174	A1 *	11/2013	Tripodi et al.	210/164

* cited by examiner

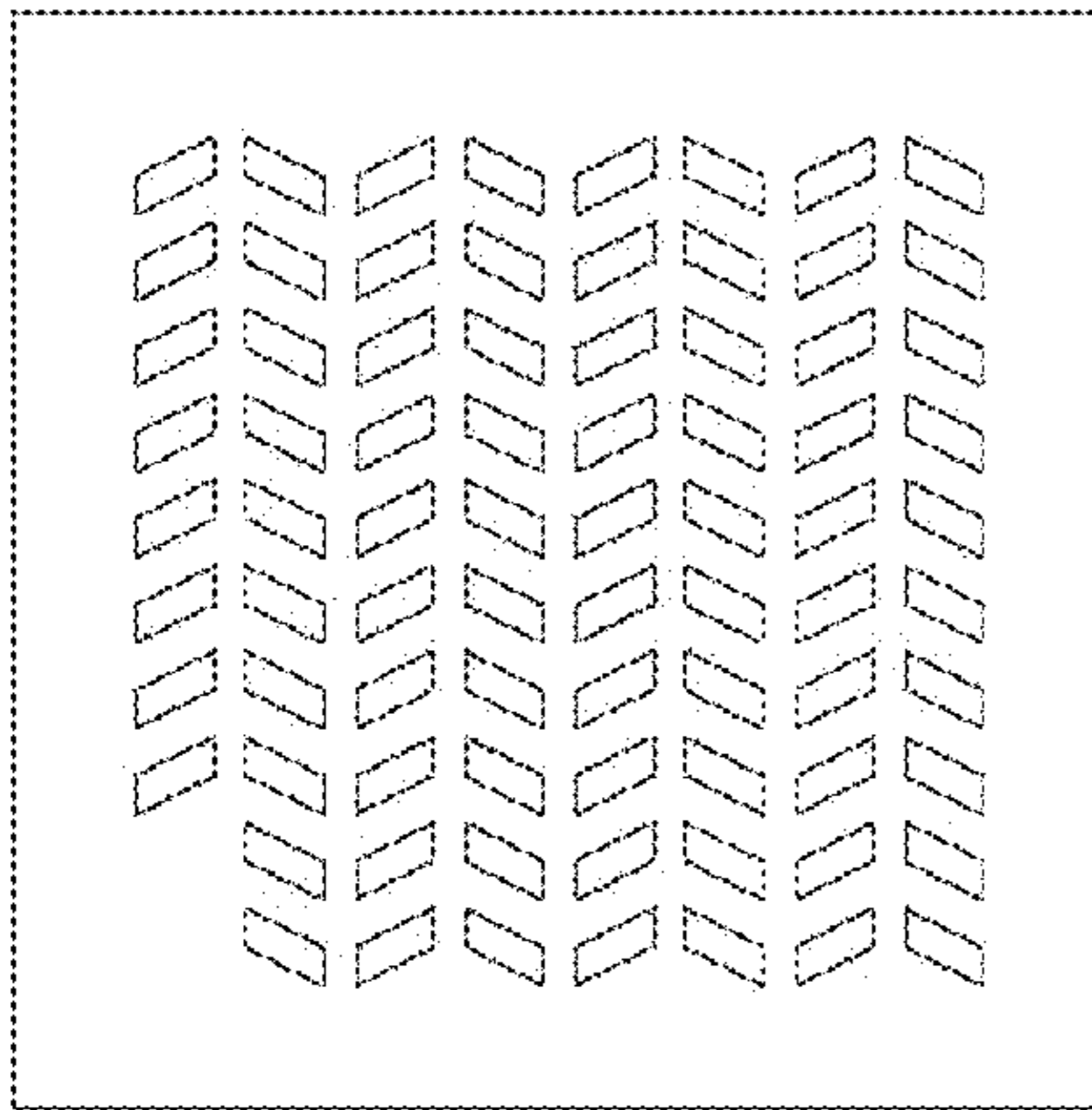
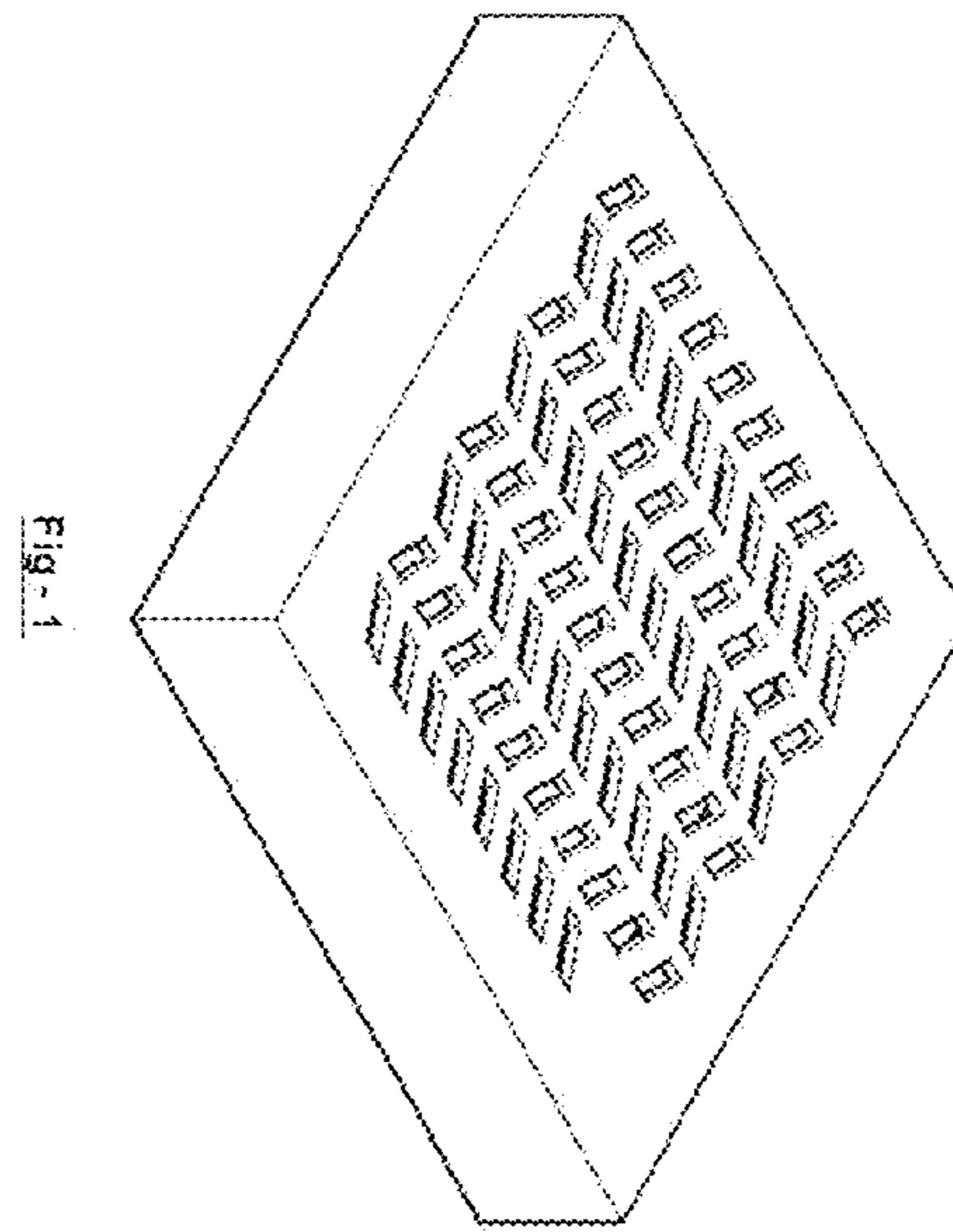
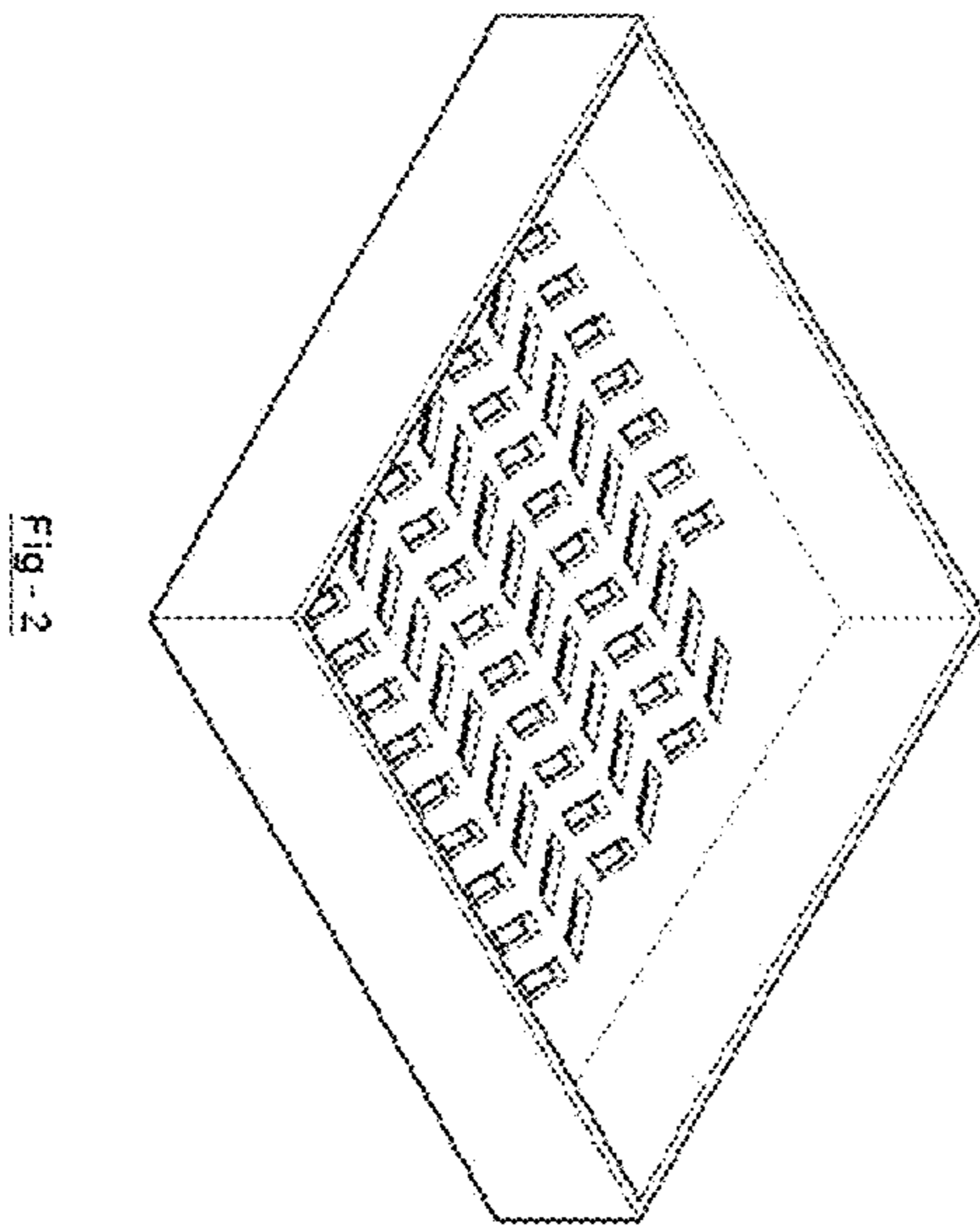


Fig - 3

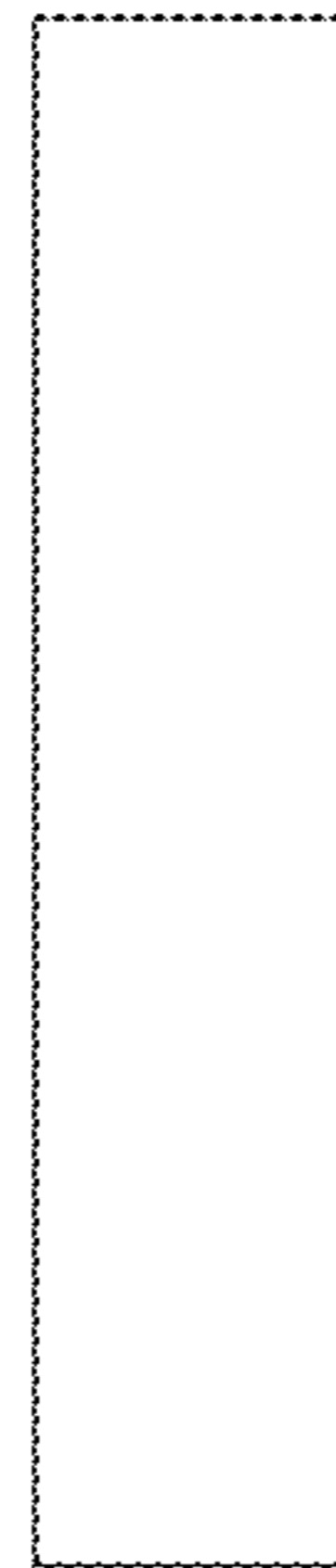


Fig - 4

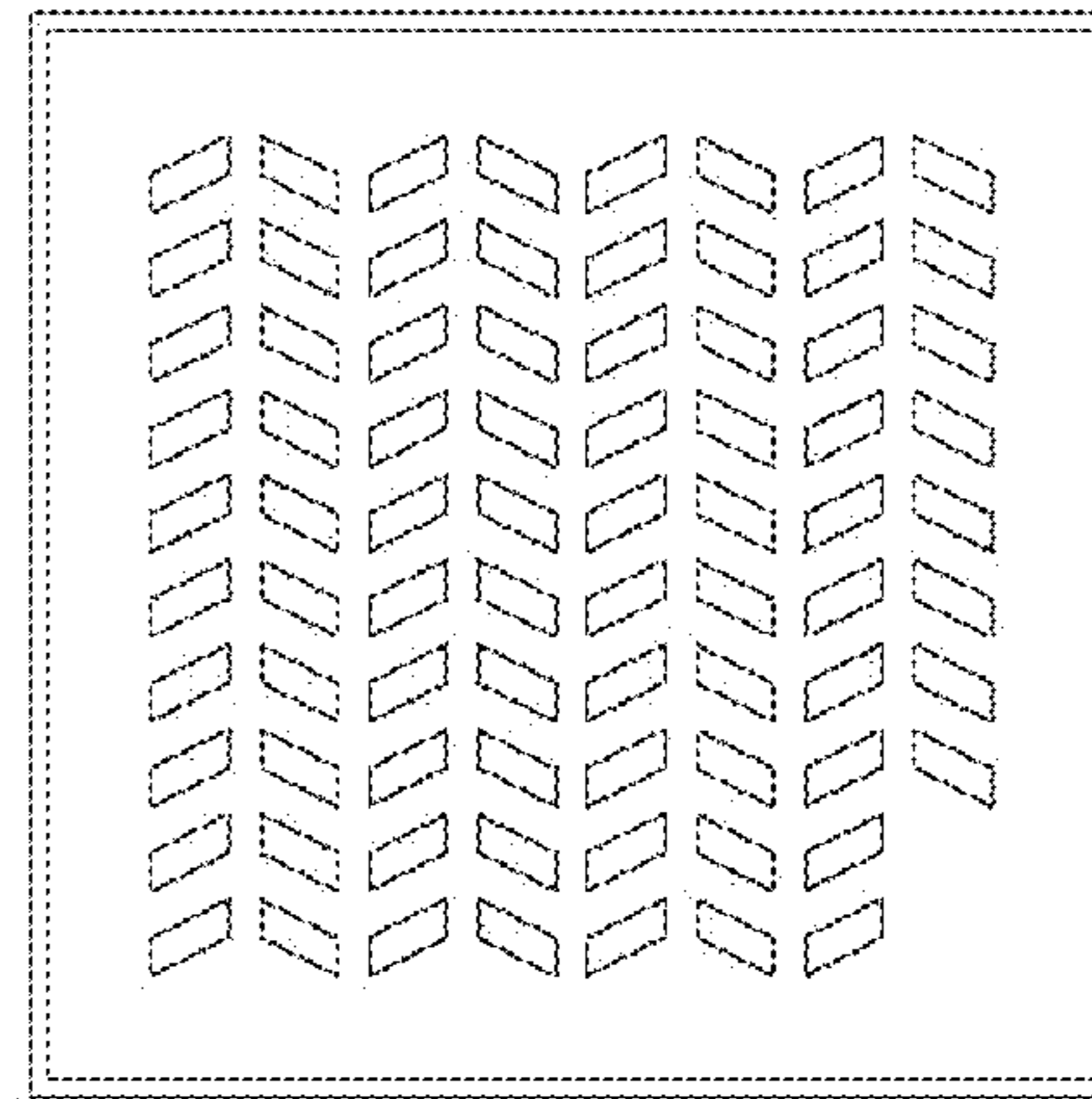


Fig - 5



Fig - 6