



US00D722364S

(12) **United States Design Patent**  
**Reinhardt**

(10) **Patent No.:** **US D722,364 S**  
(45) **Date of Patent:** **\*\* Feb. 10, 2015**

(54) **SWIVEL ADAPTER FOR FAUCETS**  
(71) Applicant: **Neoperl GmbH**, Mullheim (DE)  
(72) Inventor: **Holger Reinhardt**, March (DE)  
(73) Assignee: **Neoperl GmbH**, Mullheim (DE)

(\*\*) Term: **14 Years**

(21) Appl. No.: **29/457,738**

(22) Filed: **Jun. 12, 2013**

(51) **LOC (10) Cl.** ..... **23-01**

(52) **U.S. Cl.**  
USPC ..... **D23/249**

(58) **Field of Classification Search**  
CPC ..... F16L 37/48; E03C 1/057; E03C 1/05;  
E03C 1/08; E03C 1/086; F16K 1/487; F16K  
19/006; F16K 35/04; F16K 7/16; F16K  
27/067; A23N 12/02  
USPC ..... D23/229, 233, 249, 259–269; D8/396,  
D8/397; 24/279; 285/251–253; 411/372,  
411/910; 239/459, 602  
See application file for complete search history.

(56) **References Cited**

**U.S. PATENT DOCUMENTS**

1,762,713	A	6/1930	Dill	
1,946,832	A	2/1934	Brandon	
2,201,065	A	5/1940	Toolan	
2,867,143	A *	1/1959	Appleton	29/751
3,112,073	A *	11/1963	Larson et al.	239/446
3,210,040	A	10/1965	Thurlow	
3,226,096	A	12/1965	Ranson	
3,638,968	A	2/1972	Barks	
4,093,282	A *	6/1978	Kyriakodis	285/114
D254,505	S *	3/1980	Parsons et al.	D23/262
4,407,472	A *	10/1983	Beck	248/89
D361,371	S	8/1995	McQuillan	
D408,499	S *	4/1999	Marshall	D23/229
D408,891	S *	4/1999	Marshall	D23/229
D510,409	S *	10/2005	Xiang et al.	D23/229

7,051,763	B2	5/2006	Heren	
D538,404	S	3/2007	Campbell	
D541,375	S	4/2007	Buttgen	
D548,817	S *	8/2007	Dingler et al.	D23/229
D550,333	S	9/2007	Bamberger et al.	
D556,295	S *	11/2007	Genord et al.	D23/229

(Continued)

*Primary Examiner* — Cynthia Ramirez

*Assistant Examiner* — Gino Colan

(74) *Attorney, Agent, or Firm* — Volpe and Koenig, P.C.

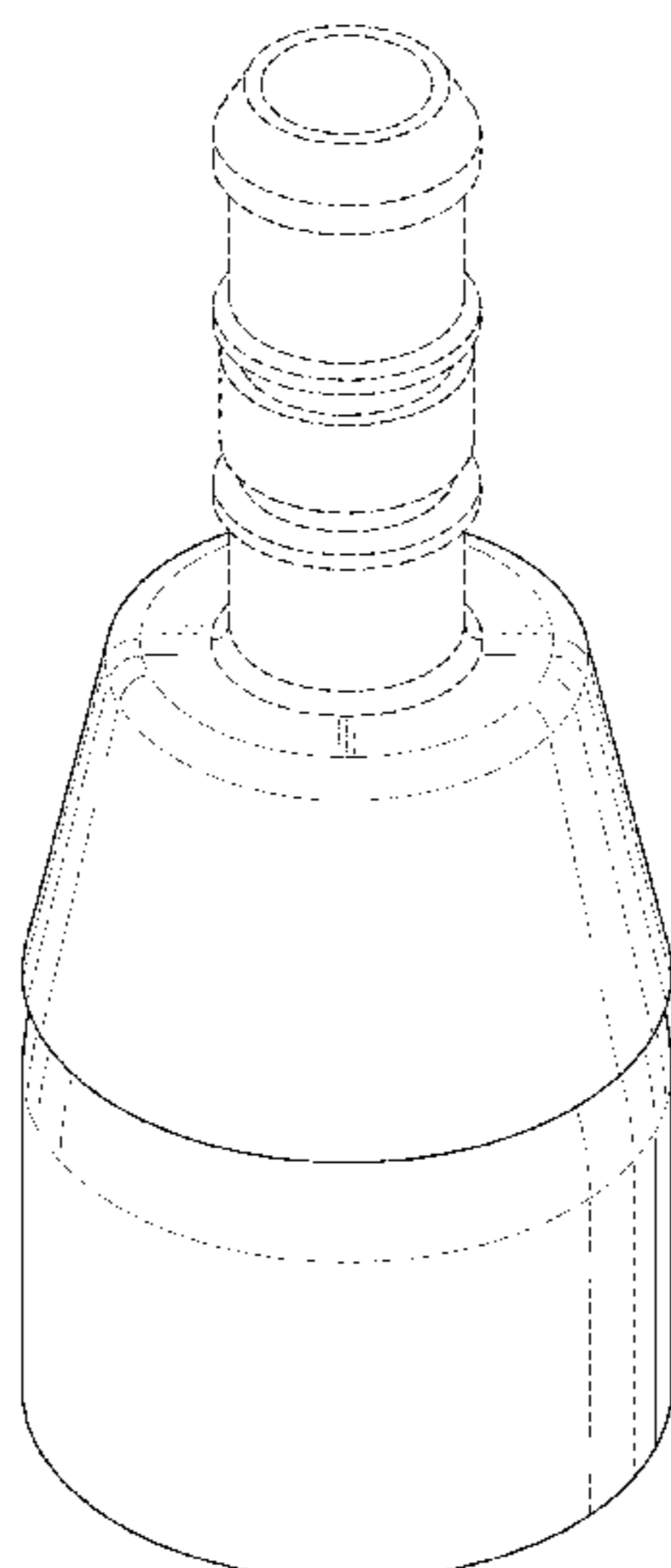
(57) **CLAIM**

The ornamental design for a swivel adapter for faucets, as shown and described.

**DESCRIPTION**

FIG. 1 is a top perspective view of a swivel adapter for faucets in an unswiveled position showing my new design; FIG. 2 is a front elevational view thereof, which is also representative of a rear elevational view, a left-side elevational view, and a right-side elevational view; FIG. 3 is a bottom plan view thereof; FIG. 4 is a top plan view thereof; FIG. 5 is a bottom perspective view thereof; FIG. 6 is a top perspective view of a second embodiment of a swivel adapter for faucets in an un-swiveled position showing my new design; FIG. 7 is a front elevational view of the swivel adapter shown in FIG. 6, which is also representative of a rear elevational view, a left-side elevational view, and a right-side elevational view; FIG. 8 is a bottom plan view of the swivel adapter shown in FIG. 6; FIG. 9 is a top plan view of the swivel adapter shown in FIG. 6; and, FIG. 10 is a bottom perspective view of the swivel adapter shown in FIG. 6. The broken line showing in the drawings is for the purpose of illustrating portions of the swivel adapter for faucets and forms no part of the claimed design.

**1 Claim, 10 Drawing Sheets**



(56)

**References Cited**

U.S. PATENT DOCUMENTS

D556,856 S	12/2007	Buttgen		D638,918 S	5/2011	Grether	
D563,530 S	3/2008	Moris		D638,919 S	5/2011	Grether	
7,398,954 B2	7/2008	Heren et al.		D652,115 S *	1/2012	Wang et al. ....	D23/229
D613,370 S	4/2010	Allard et al.		D683,826 S *	6/2013	Kwok .....	D23/255
D614,270 S	4/2010	Green et al.		D685,881 S *	7/2013	Fritz .....	D23/249
D616,969 S	6/2010	Zore		2004/0199995 A1	10/2004	Bui	
D620,080 S *	7/2010	Jian et al. ....	D23/229	2005/0241706 A1	11/2005	Heren	
D633,990 S	3/2011	Grether		2006/0017037 A1	1/2006	Heren et al.	
D636,849 S *	4/2011	Yoo et al. ....	D23/229	2006/0180681 A1	8/2006	Lau	
				2009/0090661 A1	4/2009	Tanner et al.	
				2009/0263184 A1	10/2009	Riedel et al.	
				2011/0123293 A1	5/2011	Matlock et al.	

\* cited by examiner

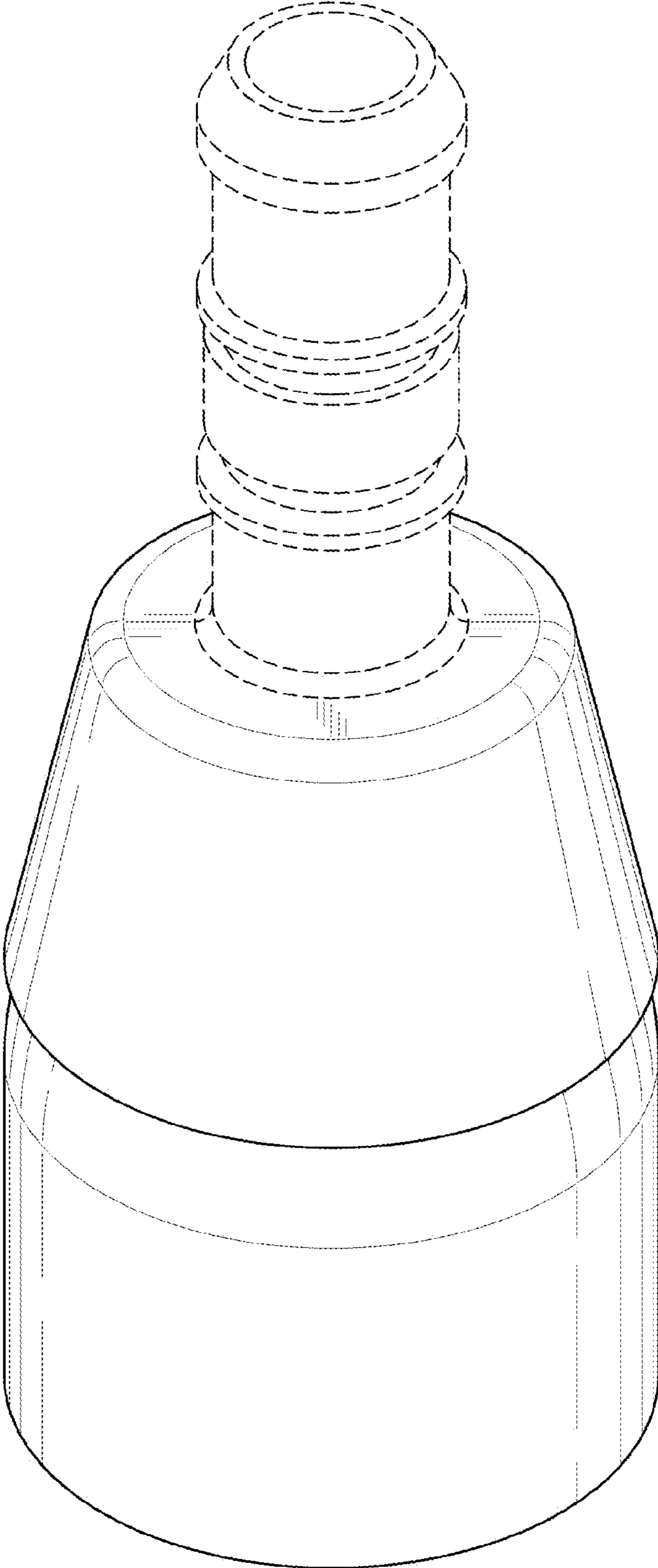


FIG. 1

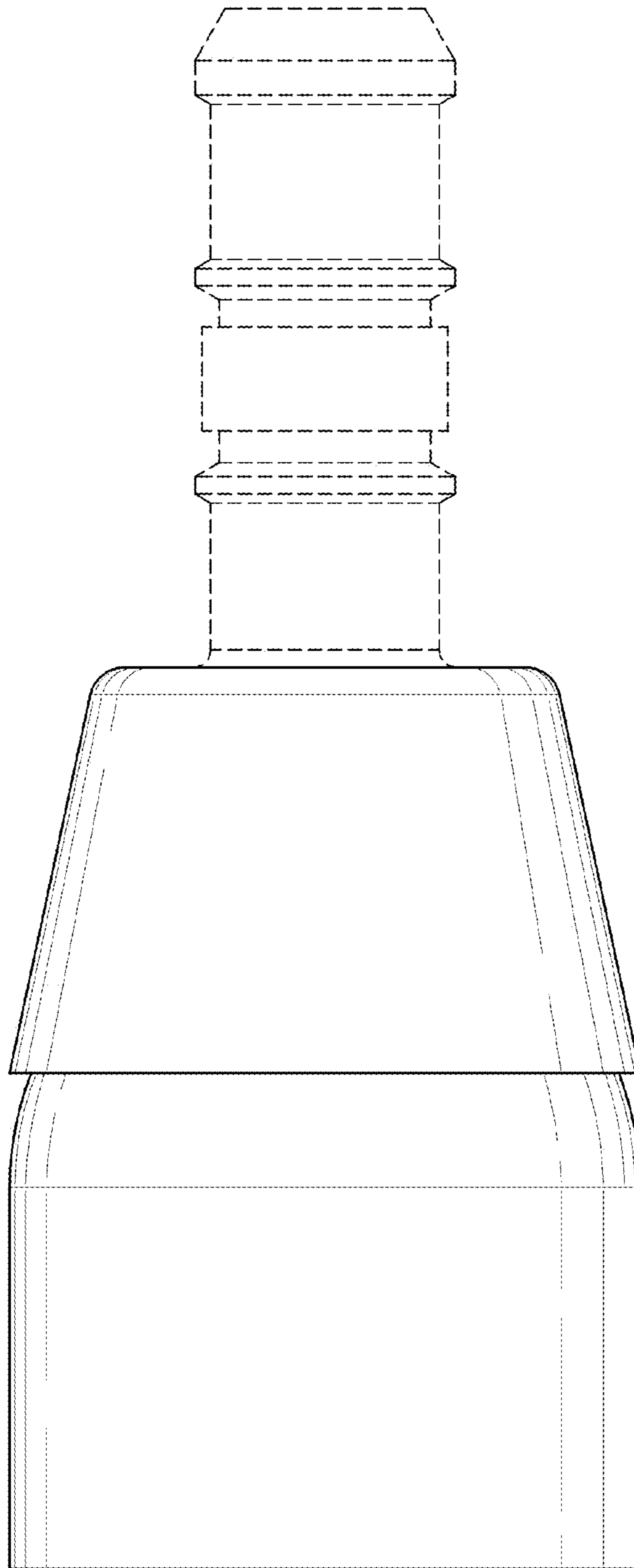


FIG. 2

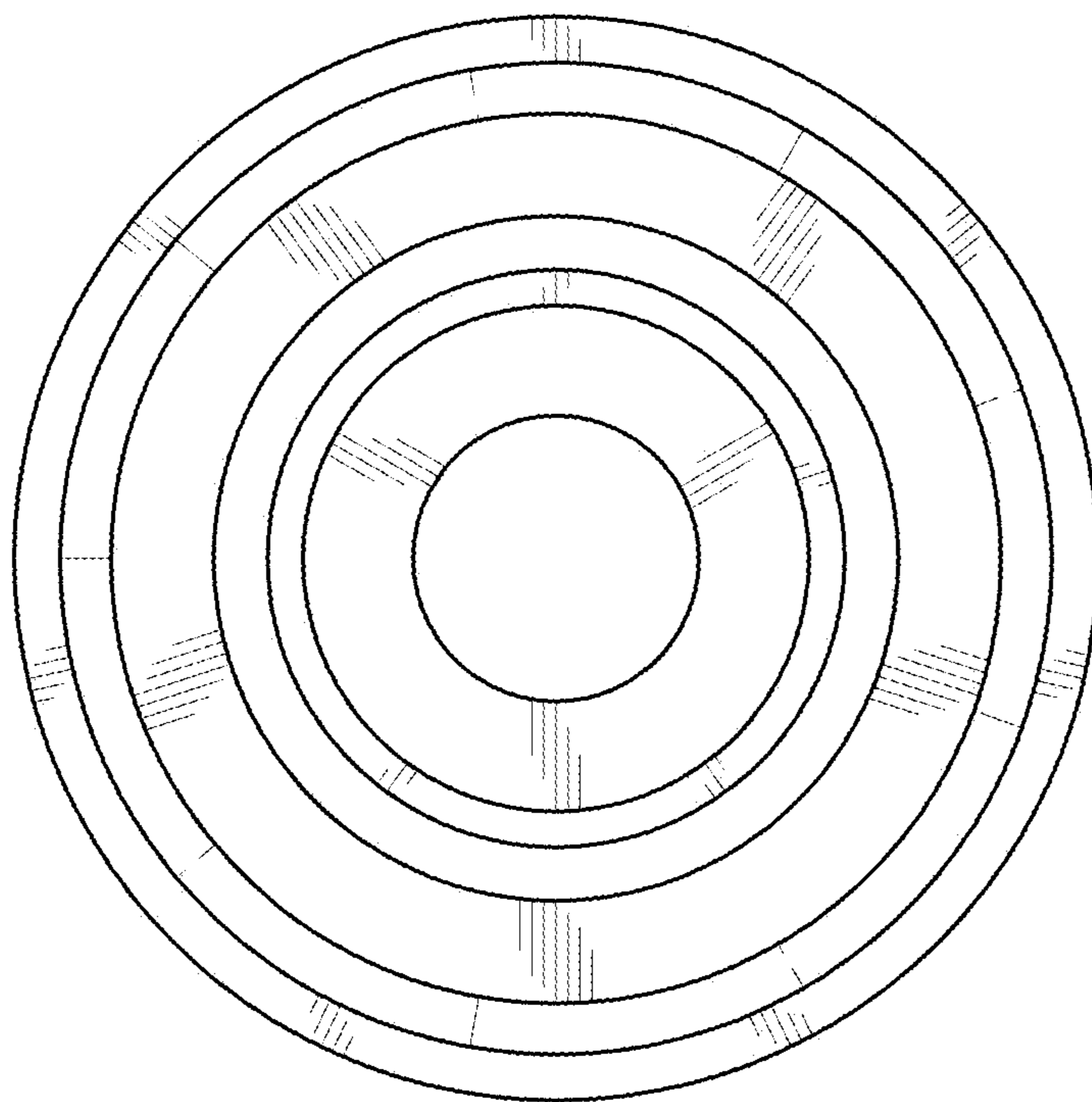


FIG. 3

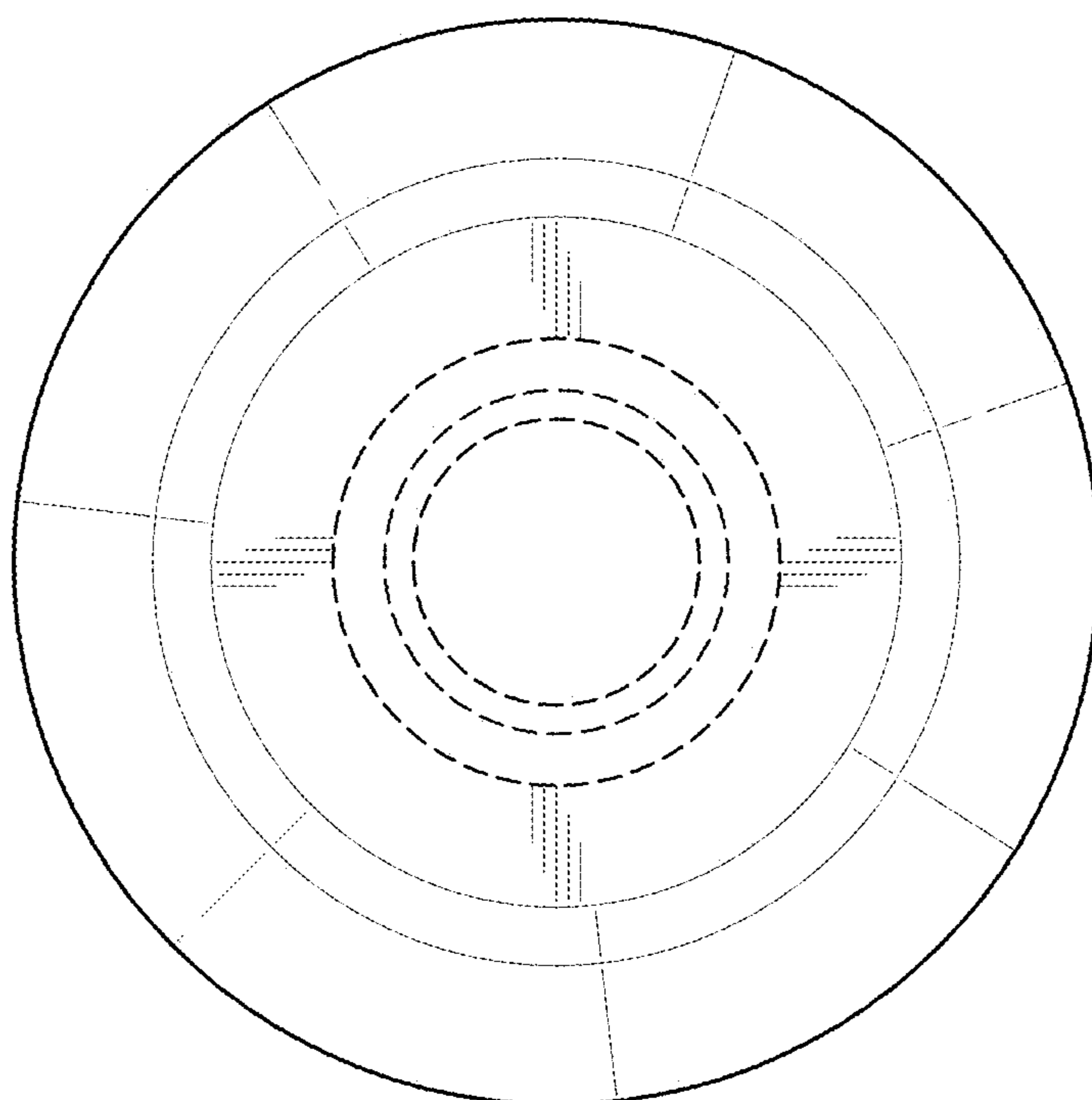


FIG. 4

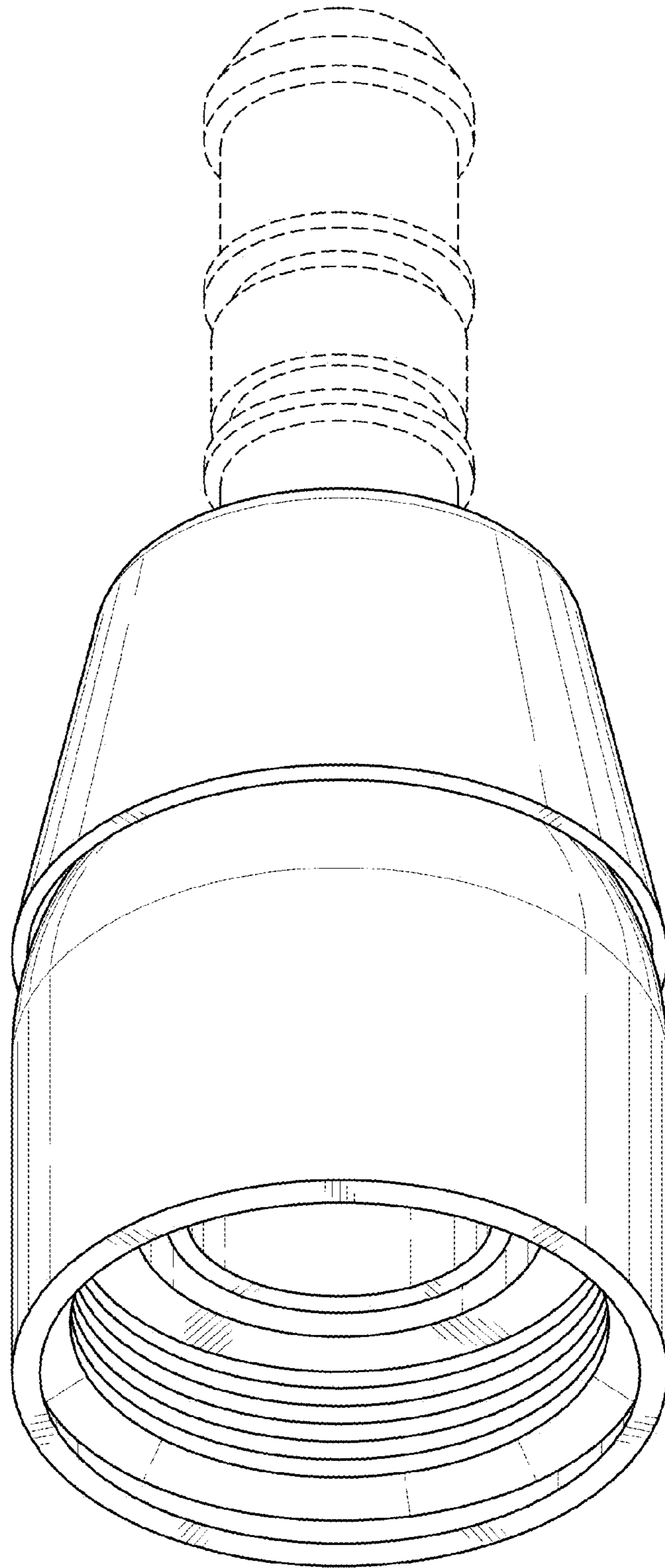


FIG. 5

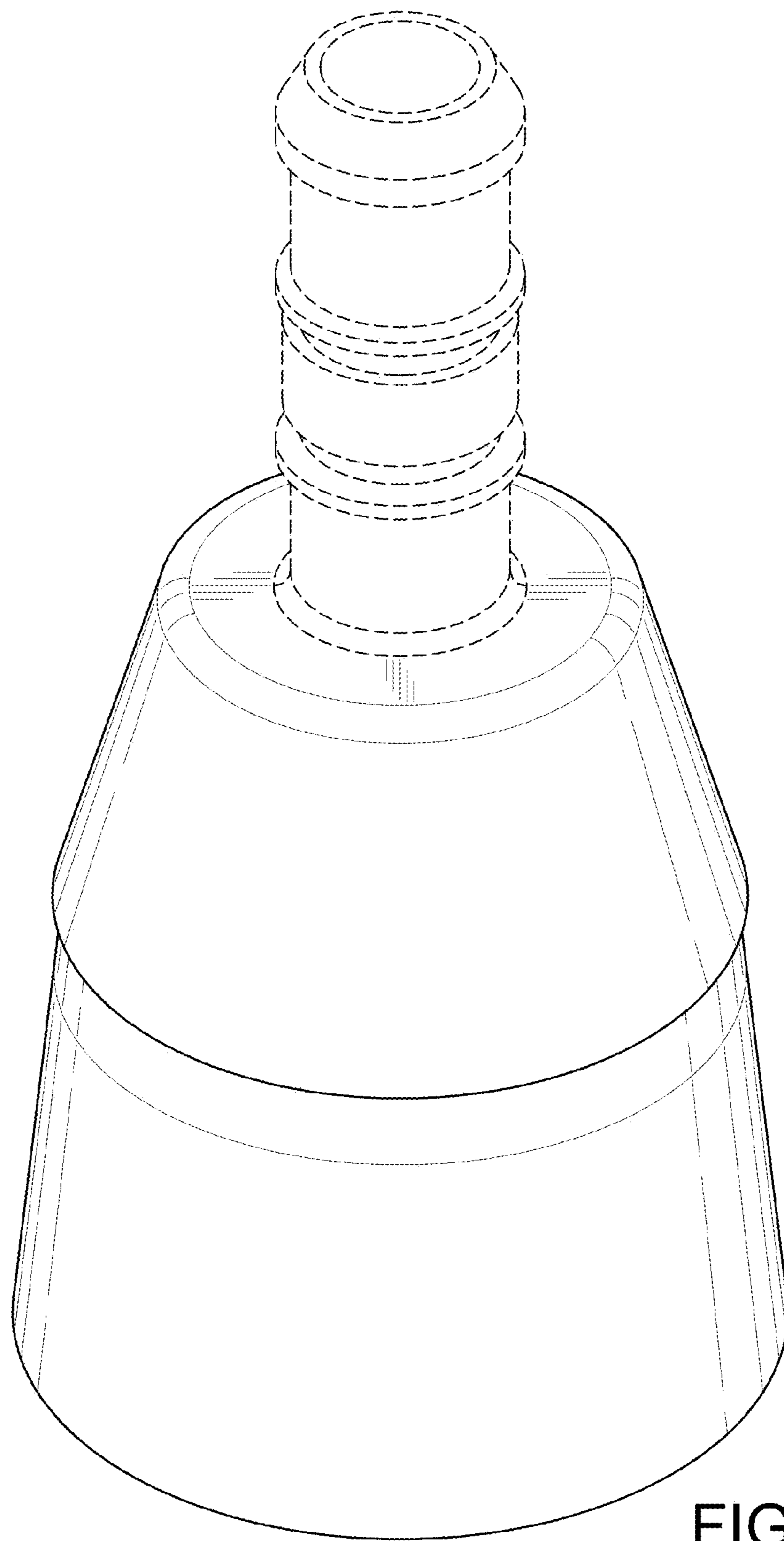


FIG. 6



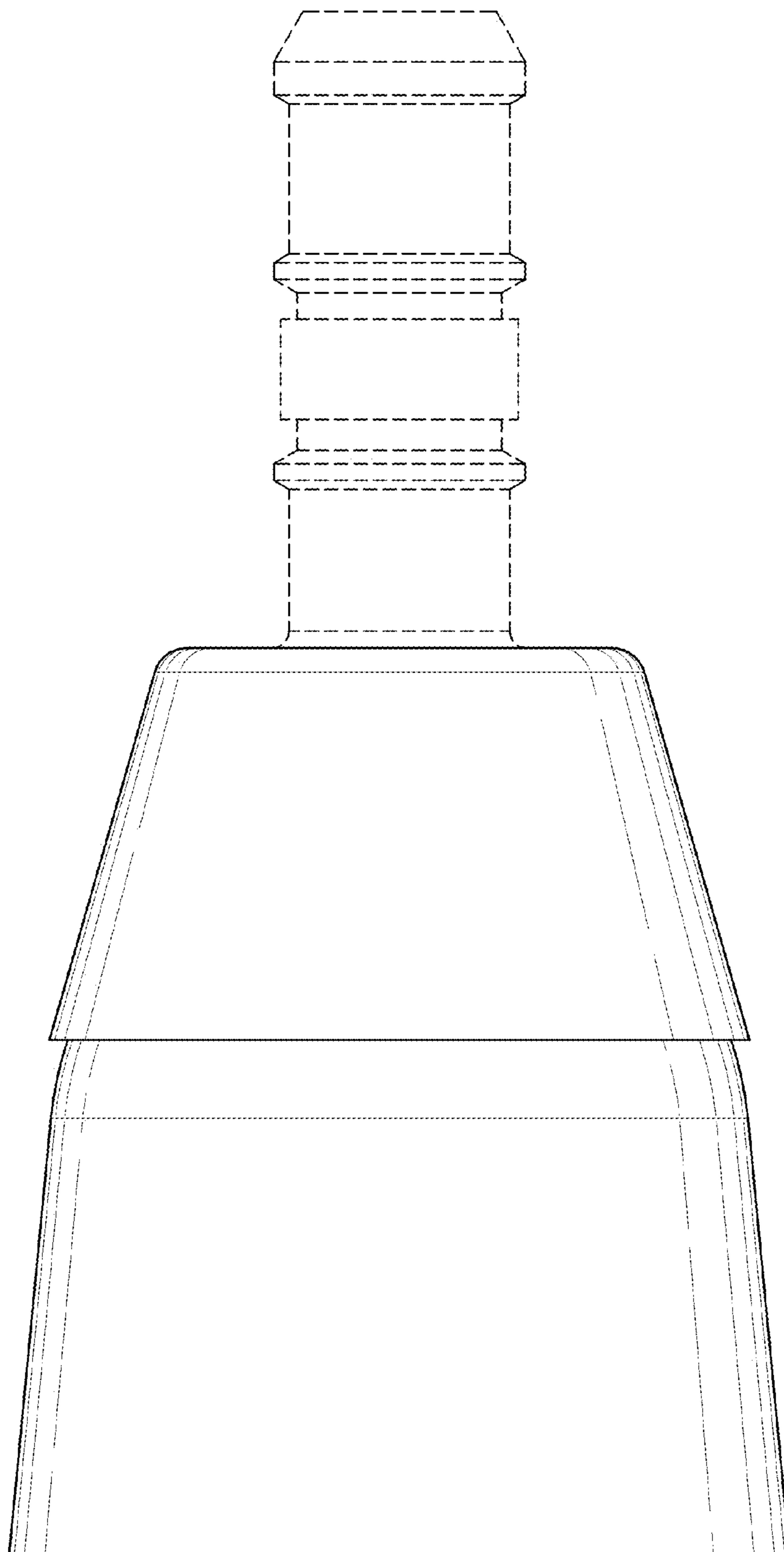


FIG. 7

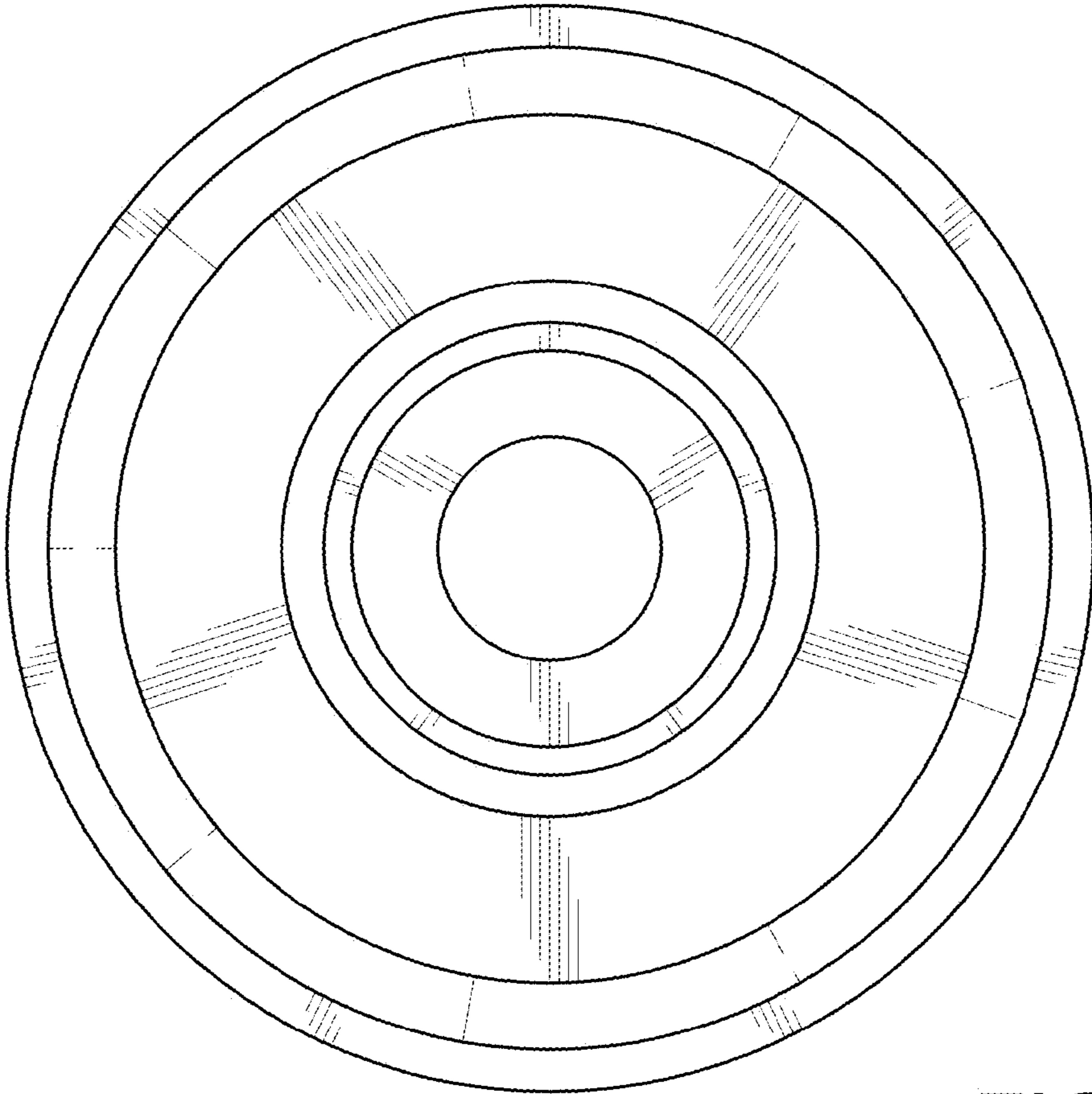


FIG. 8

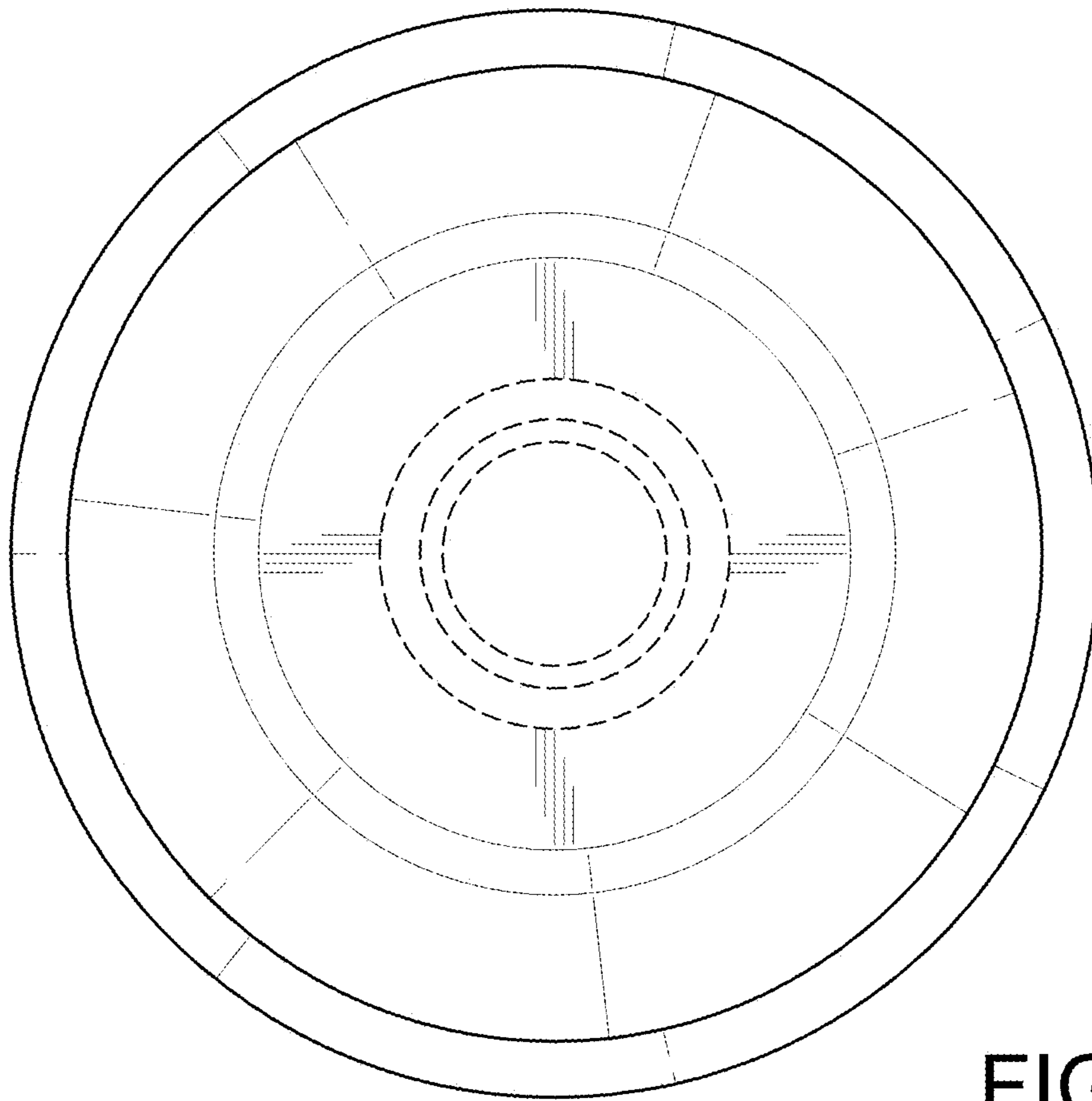


FIG. 9

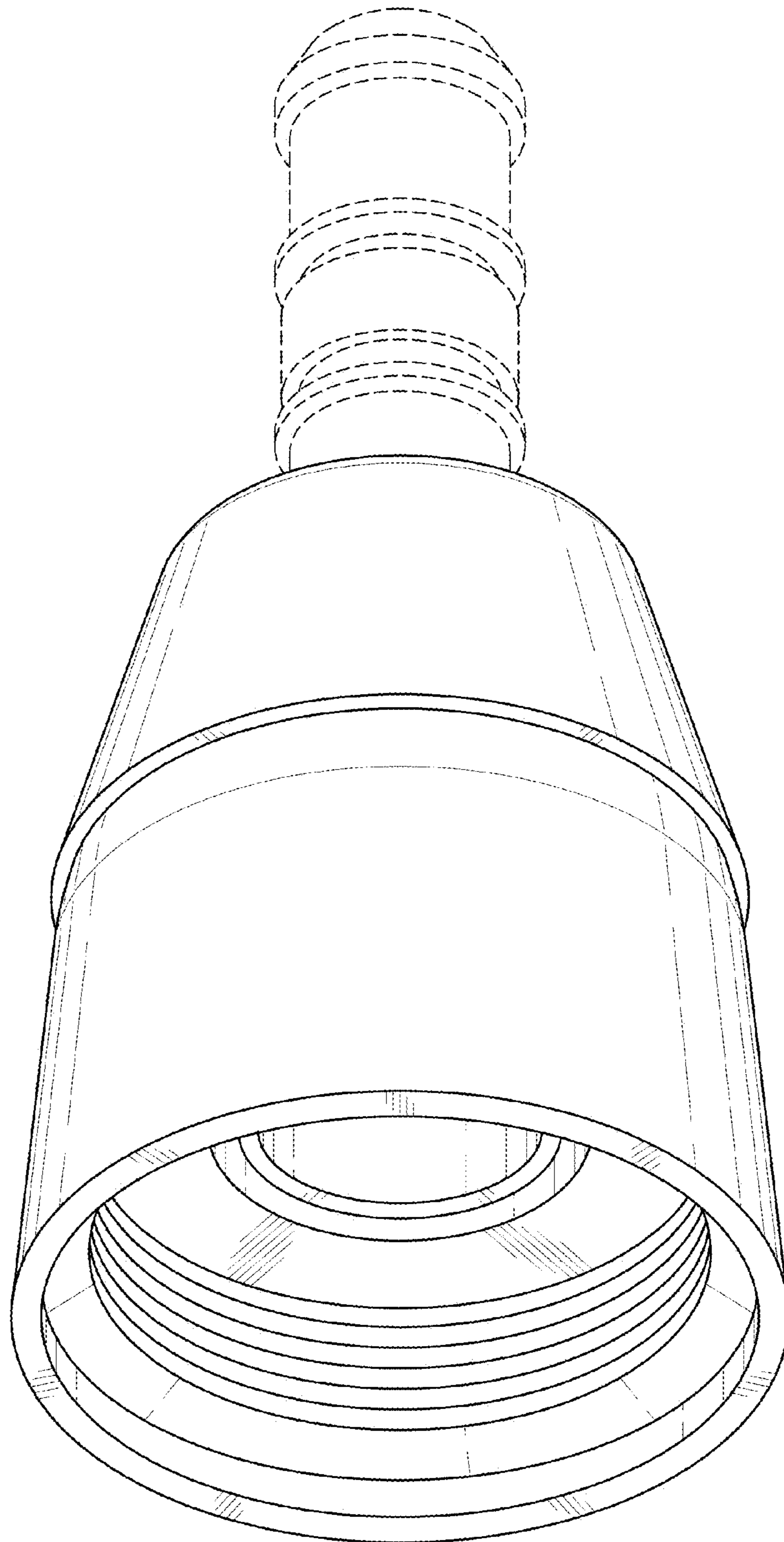


FIG. 10