



US00D722363S

(12) **United States Design Patent**
Kluss et al.

(10) **Patent No.:** **US D722,363 S**

(45) **Date of Patent:** **** Feb. 10, 2015**

- (54) **PRESSURE REGULATING VALVE**
- (71) Applicants: **William V. Kluss**, Woombye (AU);
Samantha Cirone, Homewood, AL (US)
- (72) Inventors: **William V. Kluss**, Woombye (AU);
Samantha Cirone, Homewood, AL (US)
- (73) Assignee: **Reliance Worldwide Corporation**,
Cullman, AL (US)
- (**) Term: **14 Years**
- (21) Appl. No.: **29/476,136**
- (22) Filed: **Dec. 11, 2013**
- (51) **LOC (10) Cl.** **23-01**
- (52) **U.S. Cl.**
USPC **D23/235**
- (58) **Field of Classification Search**
CPC ... F16K 31/0655; F16K 39/024; F16K 17/04;
F16K 31/0675; F02M 21/0233
USPC D23/235, 259, 262, 263; 285/47, 55,
285/179, 369, 372, 373, 417, 133.11, 133.3,
285/133.21, 133.5, 423, 129.1, 340, 242,
285/351, 125.1; 156/187, 173; 29/516;
251/149, 149.2, 149.4, 145, 147, 148
See application file for complete search history.

- D481,110 S * 10/2003 Snyder et al. D23/263
- D516,686 S * 3/2006 Wilk et al. D23/262
- D517,176 S * 3/2006 Wilk et al. D23/262
- 7,021,671 B2 * 4/2006 Evans 285/125.1
- 7,686,346 B1 * 3/2010 Buccicone et al. 285/133.21
- D630,305 S * 1/2011 Adams et al. D23/259
- D637,270 S * 5/2011 Nicolia et al. D23/235
- 8,074,963 B2 * 12/2011 Iacopetta 251/148
- D656,225 S * 3/2012 Dole et al. D23/263
- D673,657 S * 1/2013 Sisk D23/262
- D676,940 S 2/2013 Kluss et al.
- D676,941 S 2/2013 Kluss et al.
- D676,942 S 2/2013 Kluss et al.
- D676,943 S 2/2013 Kluss et al.
- 8,807,525 B2 * 8/2014 Chang 251/149.6
- 2007/0236010 A1 * 10/2007 Campau 285/242
- 2011/0025054 A1 * 2/2011 Kluss 285/351
- 2013/0299726 A1 * 11/2013 Karasawa 251/148
- 2014/0264116 A1 * 9/2014 Cappadora et al. 251/148

* cited by examiner

Primary Examiner — Cynthia Ramirez

Assistant Examiner — Gino Colan

(74) *Attorney, Agent, or Firm* — Bush Intellectual Property Law; Kenneth M. Bush

(57) **CLAIM**

We claim the ornamental design for a pressure regulating valve, as shown and described.

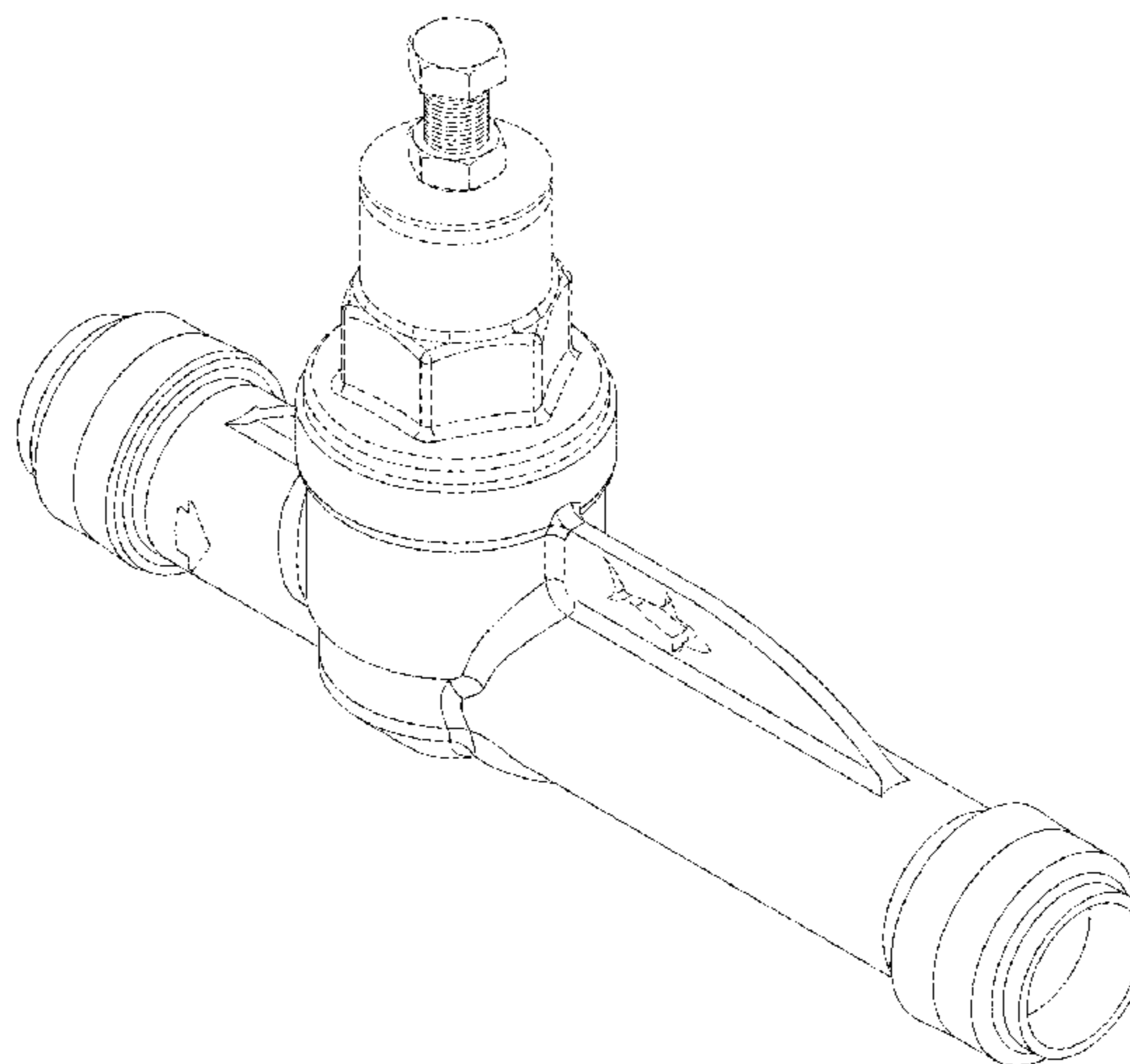
DESCRIPTION

FIG. 1 is a perspective view of a pressure regulating valve showing our new design;
 FIG. 2 is a front elevation view thereof;
 FIG. 3 is a rear elevation view thereof;
 FIG. 4 is a left side elevation view thereof;
 FIG. 5 is a right side elevation view thereof;
 FIG. 6 is a top plan view thereof; and,
 FIG. 7 is a bottom plan view thereof.
 The broken line in the drawings are included for the purpose of illustrating elements of the pressure regulating valve and form no part of the claimed design.

1 Claim, 3 Drawing Sheets

(56) **References Cited**
 U.S. PATENT DOCUMENTS

- D135,633 S * 5/1943 Sturke et al. D23/263
- D163,487 S * 5/1951 Schustack et al. D23/263
- 3,765,979 A * 10/1973 Thomas 156/173
- 4,504,086 A * 3/1985 Carrow 285/133.5
- D291,480 S * 8/1987 Vassallo et al. D23/263
- 5,090,743 A * 2/1992 Obering 285/133.21
- D389,562 S * 1/1998 Picton D23/263
- 5,944,055 A * 8/1999 Dicky 137/625.47
- 6,202,284 B1 * 3/2001 Joblin 29/516
- D454,940 S * 3/2002 Hoenig D23/259
- D480,786 S * 10/2003 Wilk et al. D23/263
- D481,109 S * 10/2003 Dole et al. D23/263



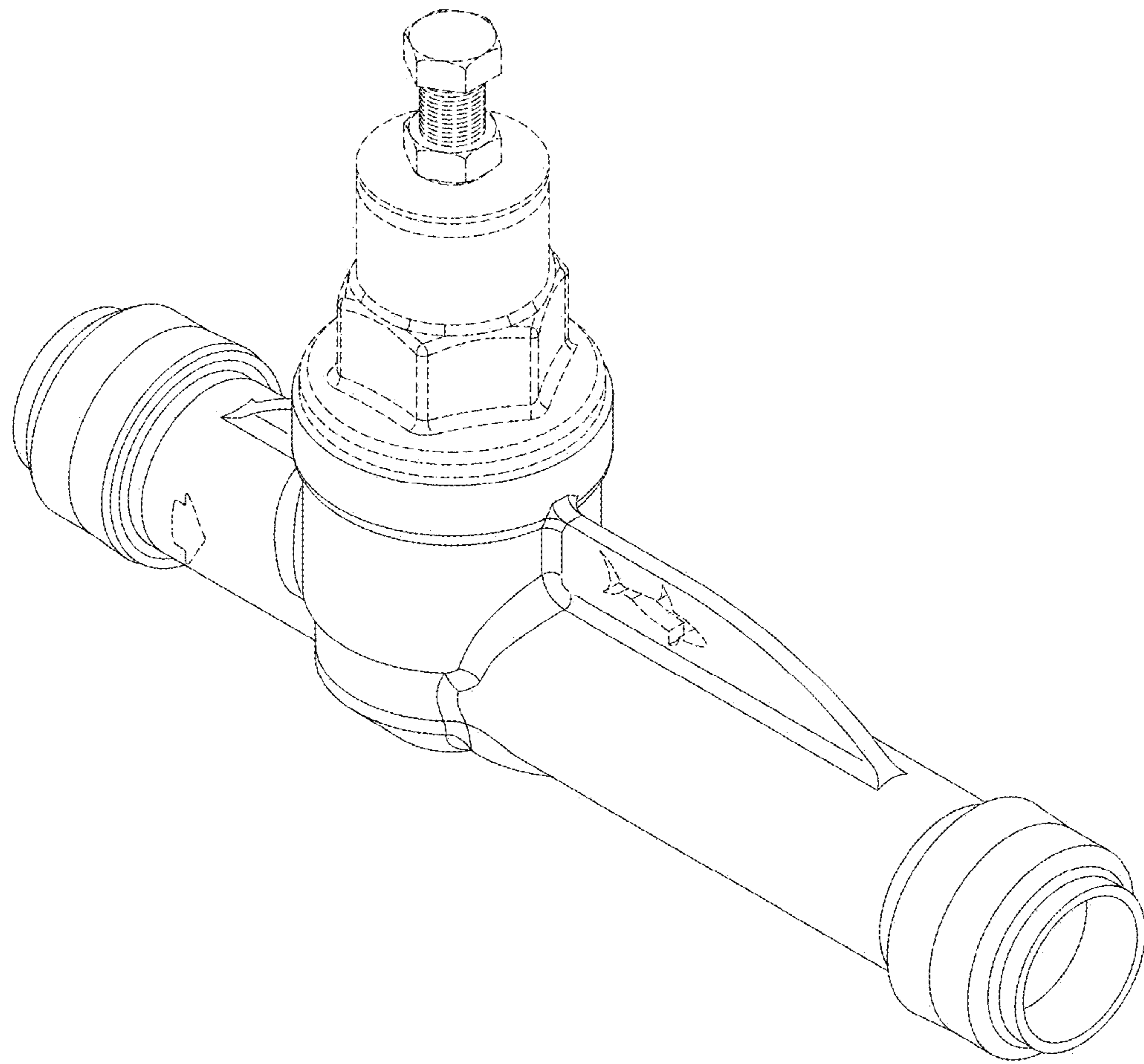


FIG. 1

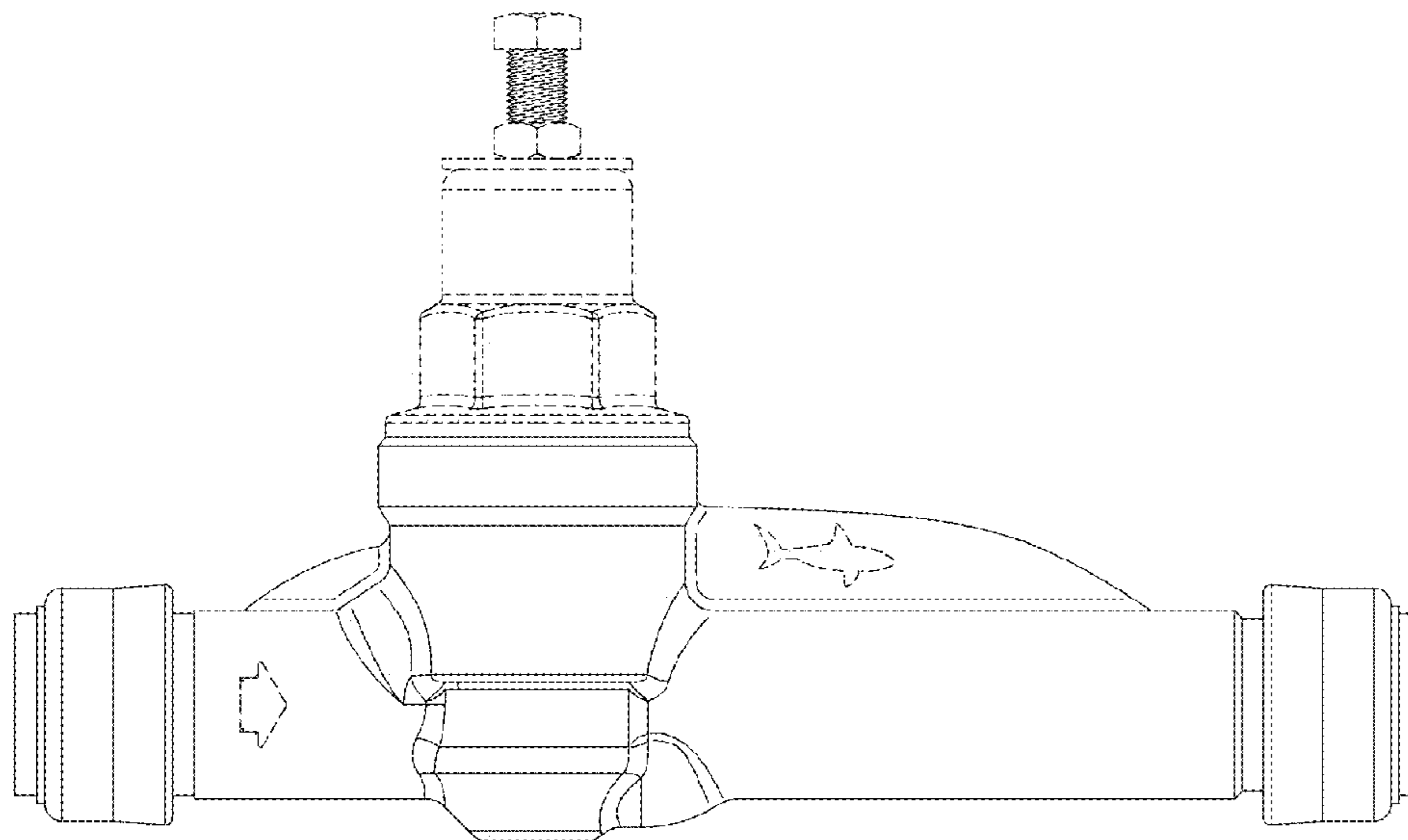


FIG. 2

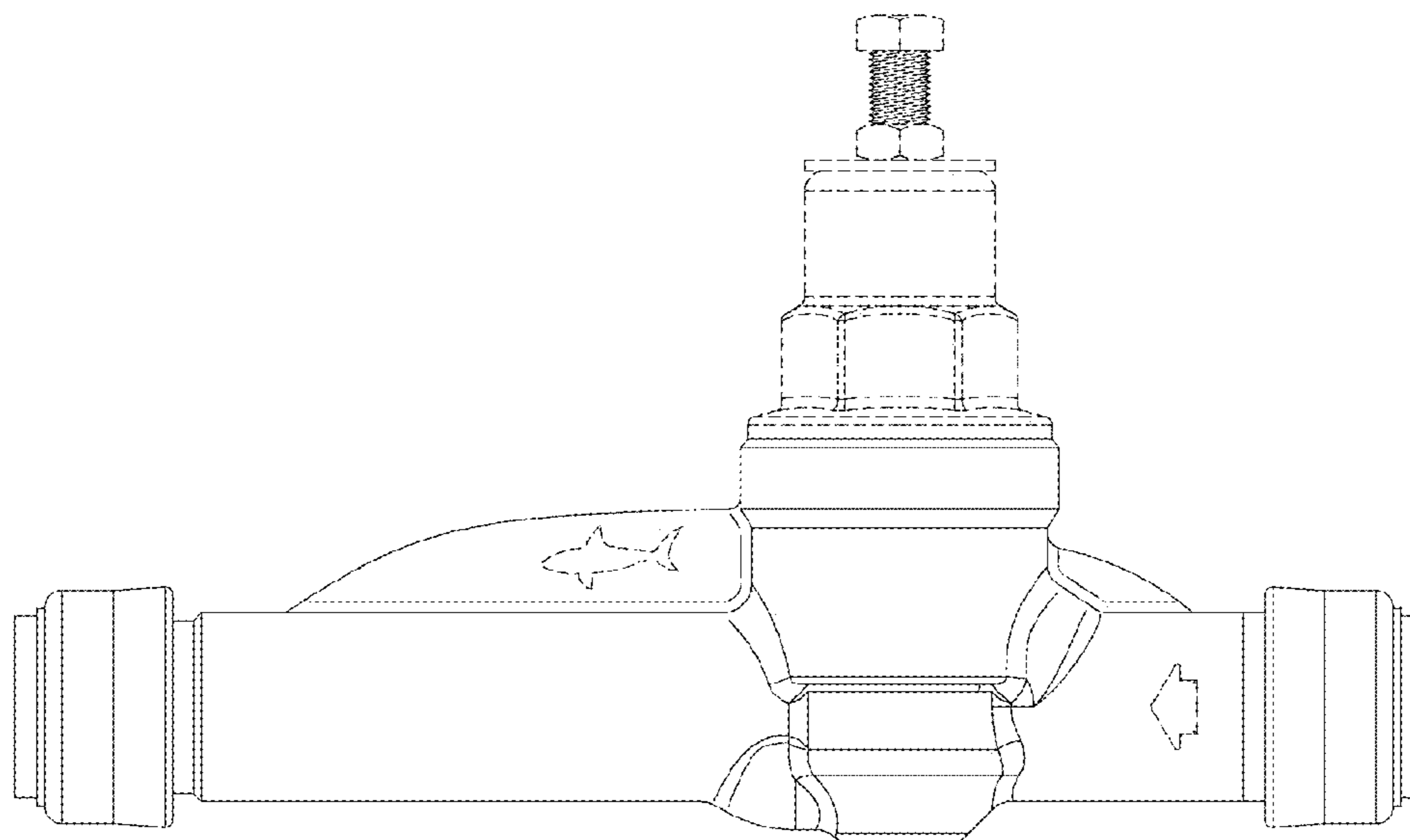


FIG. 3

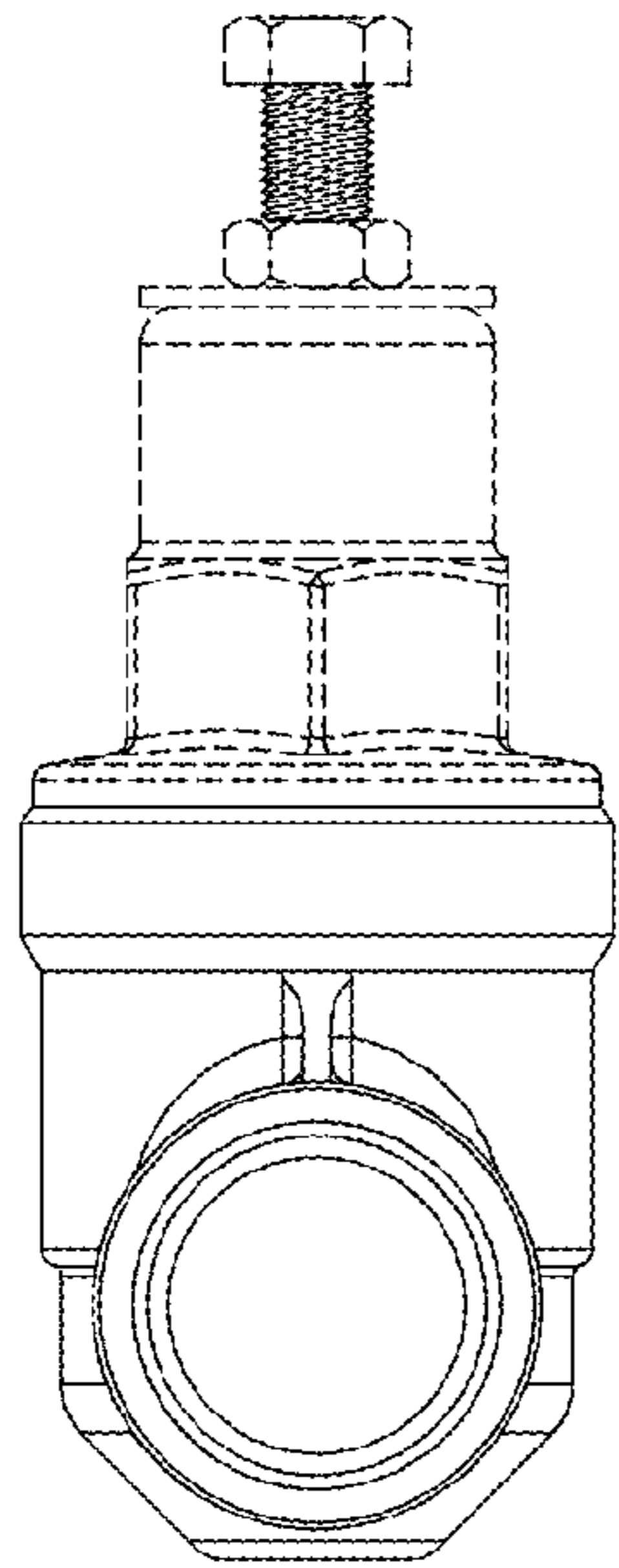


FIG. 4

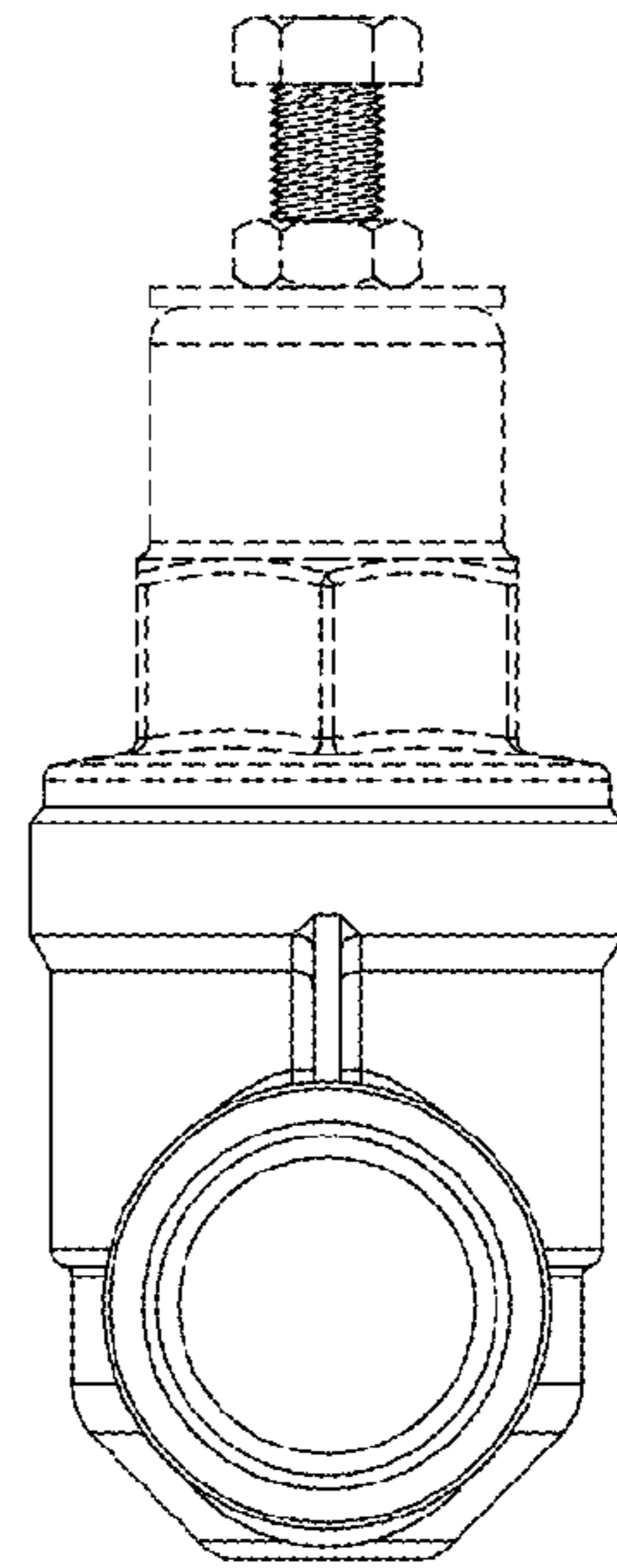


FIG. 5

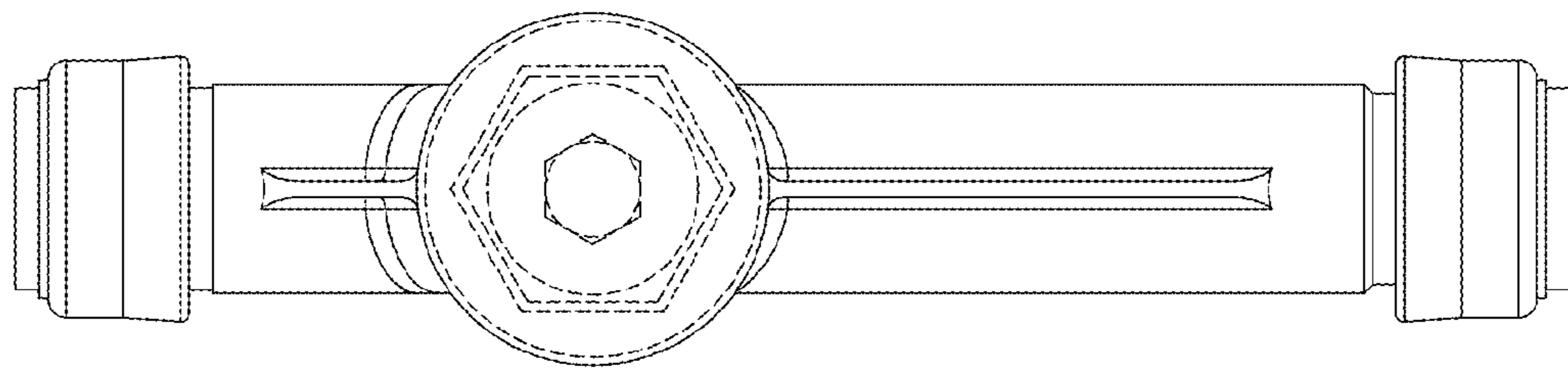


FIG. 6

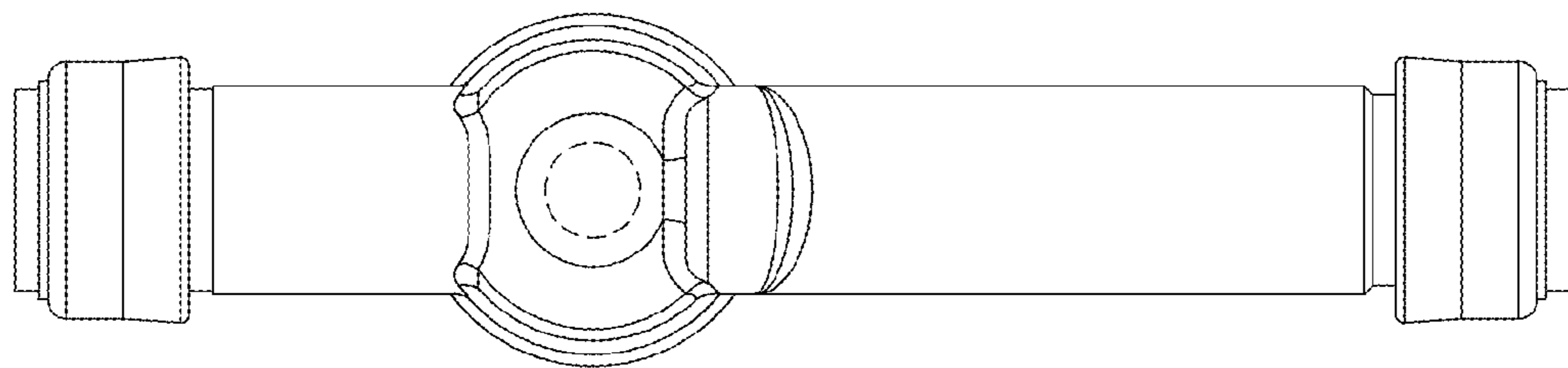


FIG. 7