



US00D722361S

(12) **United States Design Patent**  
**Pan**

(10) **Patent No.:** **US D722,361 S**

(45) **Date of Patent:** **\*\* Feb. 10, 2015**

(54) **COMBINED BATH MIXER POP-UP WASTE AND OVERFLOW**

(71) Applicant: **Sheng Tai Brassware Co., Ltd.**, Ho Me Chen, Changhua Hsien (TW)

(72) Inventor: **Chia-Chen Pan**, Changhua Hsien (TW)

(73) Assignee: **Sheng Tai Brassware Co., Ltd.**, Ho Me Chen, Changhua Hsien (TW)

(\*\*) Term: **14 Years**

(21) Appl. No.: **29/483,058**

(22) Filed: **Feb. 25, 2014**

(51) **LOC (10) Cl.** ..... **23-01**

(52) **U.S. Cl.**  
USPC ..... **D23/233**

(58) **Field of Classification Search**  
CPC ..... E03C 1/24; E03C 1/23; E03C 1/086; E03C 1/12; E03C 1/20; E03C 1/2302; E03C 1/232; E03C 1/244; E03C 2001/2317; E03C 2001/2406; E03B 1/042; E03B 1/044; G01F 23/241; G01F 23/242  
USPC ..... D23/233-250; 239/1, 547; 4/694, 651, 4/661, 538, 680, 682, 683; 340/618, 562; 137/392; 285/3; 16/441  
See application file for complete search history.

(56) **References Cited**

**U.S. PATENT DOCUMENTS**

1,870,089	A *	8/1932	Bloch	4/694
3,495,280	A *	2/1970	Galbiati	4/679
3,570,020	A *	3/1971	Hart et al.	4/694
5,123,123	A *	6/1992	Hart et al.	4/684
5,228,153	A *	7/1993	Frankel	4/694
5,661,462	A *	8/1997	Shrewsbury-Gee	340/618
5,662,138	A *	9/1997	Wang	137/433
5,890,241	A *	4/1999	Ball	4/538
6,073,278	A *	6/2000	Ball	4/694
6,138,298	A *	10/2000	Ball	4/694

6,173,459	B1 *	1/2001	Ball	4/680
6,216,288	B1 *	4/2001	Bernau	4/694
6,484,331	B2 *	11/2002	Minnick	4/694
6,606,753	B2 *	8/2003	Minnick	4/694
6,618,875	B1 *	9/2003	Oropallo et al.	4/694
6,675,406	B2 *	1/2004	Ball	4/683
6,681,420	B1 *	1/2004	Ball	4/680
6,823,540	B2 *	11/2004	Gunn	4/680
6,886,193	B2 *	5/2005	McAlpine	4/680
7,096,522	B2 *	8/2006	Hirtriter	4/694
7,127,752	B2 *	10/2006	Ball	4/680
8,028,357	B2 *	10/2011	Ball	4/680
8,122,533	B2 *	2/2012	Rudisser	4/679
8,201,289	B2 *	6/2012	Edmonds et al.	4/680
8,321,970	B2 *	12/2012	Ball	4/680
8,584,272	B2 *	11/2013	Ball	4/680
8,635,719	B2 *	1/2014	Homami et al.	4/694

(Continued)

*Primary Examiner* — Cynthia Ramirez

*Assistant Examiner* — Gino Colan

(74) *Attorney, Agent, or Firm* — patenttm.us

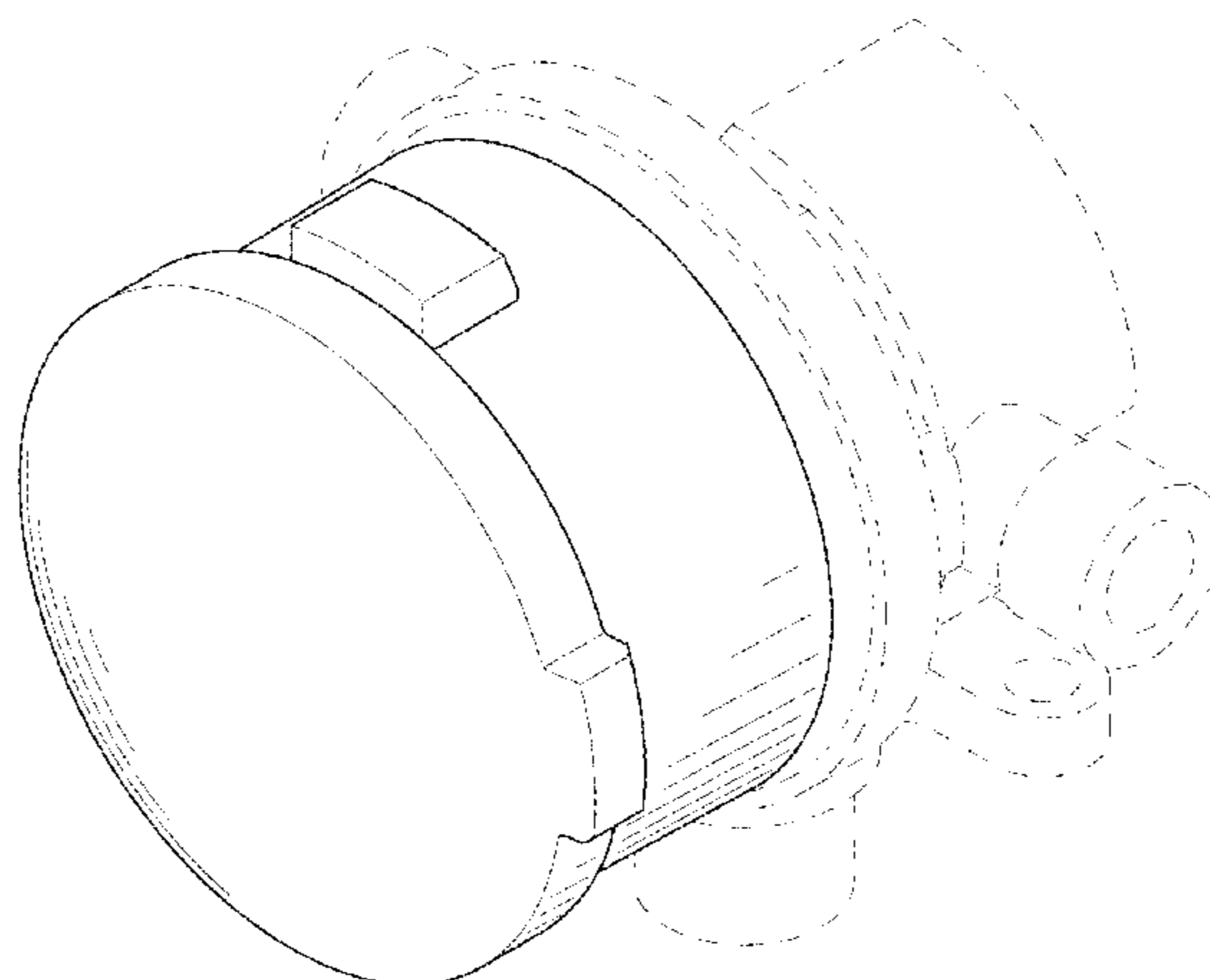
(57) **CLAIM**

The ornamental design for a combined bath mixer pop-up waste and overflow, as shown and described.

**DESCRIPTION**

FIG. 1 is a perspective view of a combined bath mixer pop-up waste and overflow showing my new design;  
FIG. 2 is a front view thereof;  
FIG. 3 is a rear view thereof;  
FIG. 4 is a left view thereof;  
FIG. 5 is a right view thereof;  
FIG. 6 is a top view thereof;  
FIG. 7 is a bottom view thereof;  
FIG. 8 is an operational perspective view thereof with bathtub; and,  
FIG. 9 is an enlarge perspective view thereof with bathtub.  
The broken lines shown in the figures are included for the purpose of illustrating environment and form no part of the claimed design.

**1 Claim, 9 Drawing Sheets**



(56)

**References Cited**

U.S. PATENT DOCUMENTS

8,769,736 B2 *	7/2014	Ball	.....	4/694	2008/0178382 A1 *	7/2008	Pinette et al.	.....	4/689
8,806,671 B2 *	8/2014	Ball et al.	.....	4/683	2010/0052920 A1 *	3/2010	Roach	.....	340/618
8,807,449 B1 *	8/2014	Obi	.....	239/1	2012/0204345 A1 *	8/2012	Ball et al.	.....	4/694
2004/0111797 A1 *	6/2004	Ball	.....	4/680	2013/0025047 A1 *	1/2013	Hennes et al.	.....	4/679
2005/0204468 A1 *	9/2005	Gunn	.....	4/680	2013/0042405 A1 *	2/2013	Marotz et al.	.....	4/679
					2014/0101845 A1 *	4/2014	Homami et al.	.....	4/680
					2014/0259386 A1 *	9/2014	Antoniello	.....	4/694

\* cited by examiner

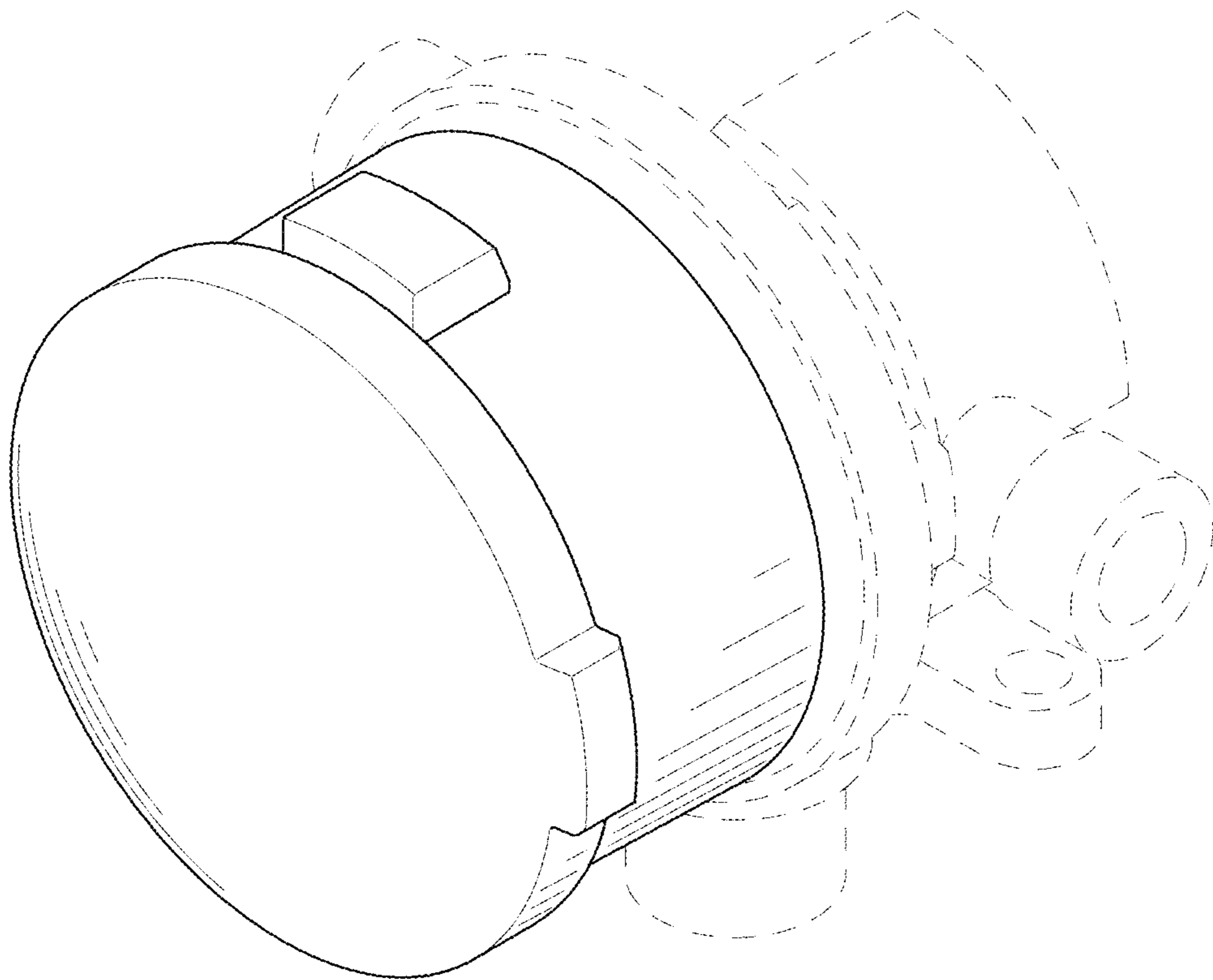


FIG.1

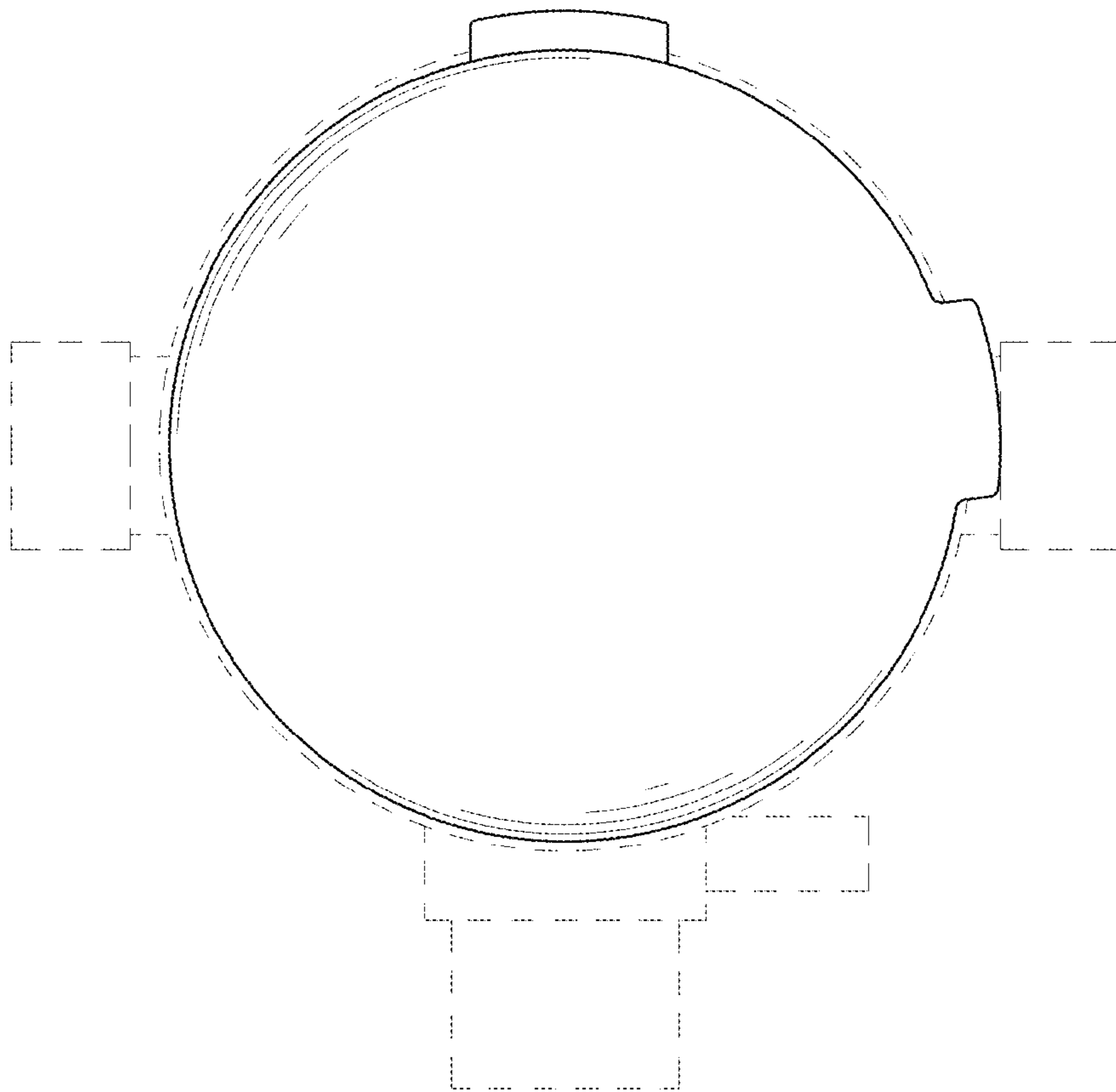


FIG.2

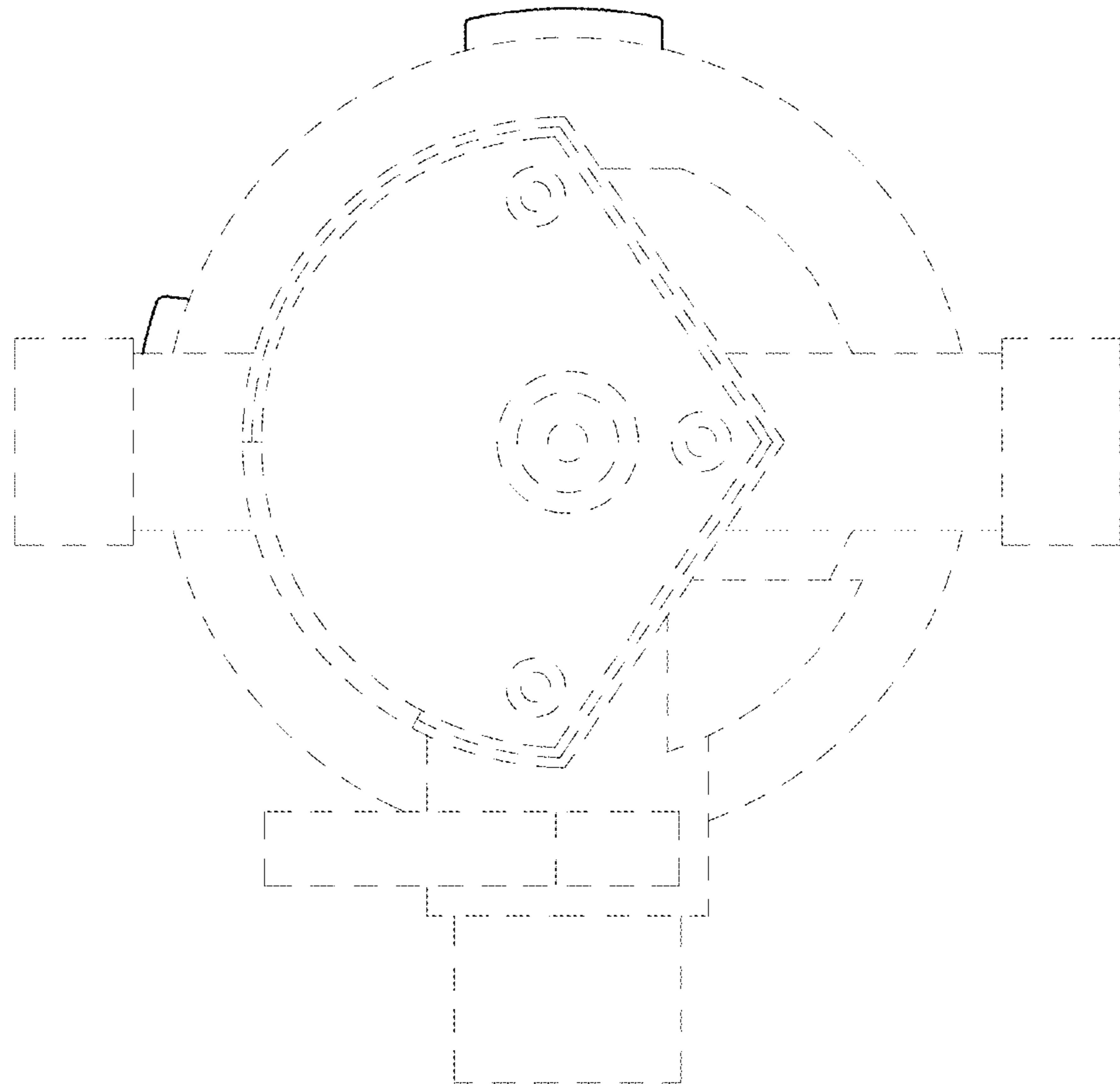


FIG.3

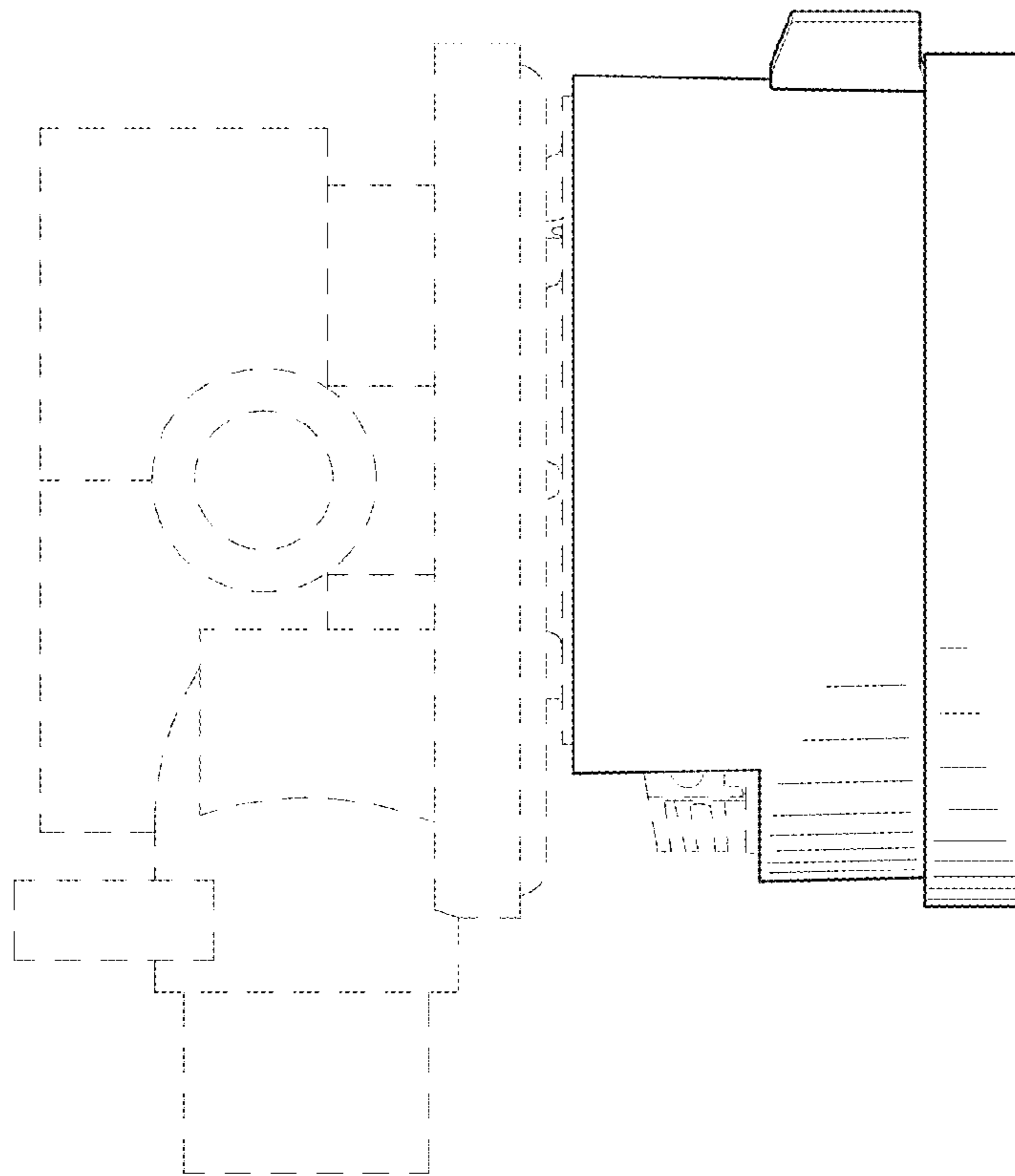


FIG.4

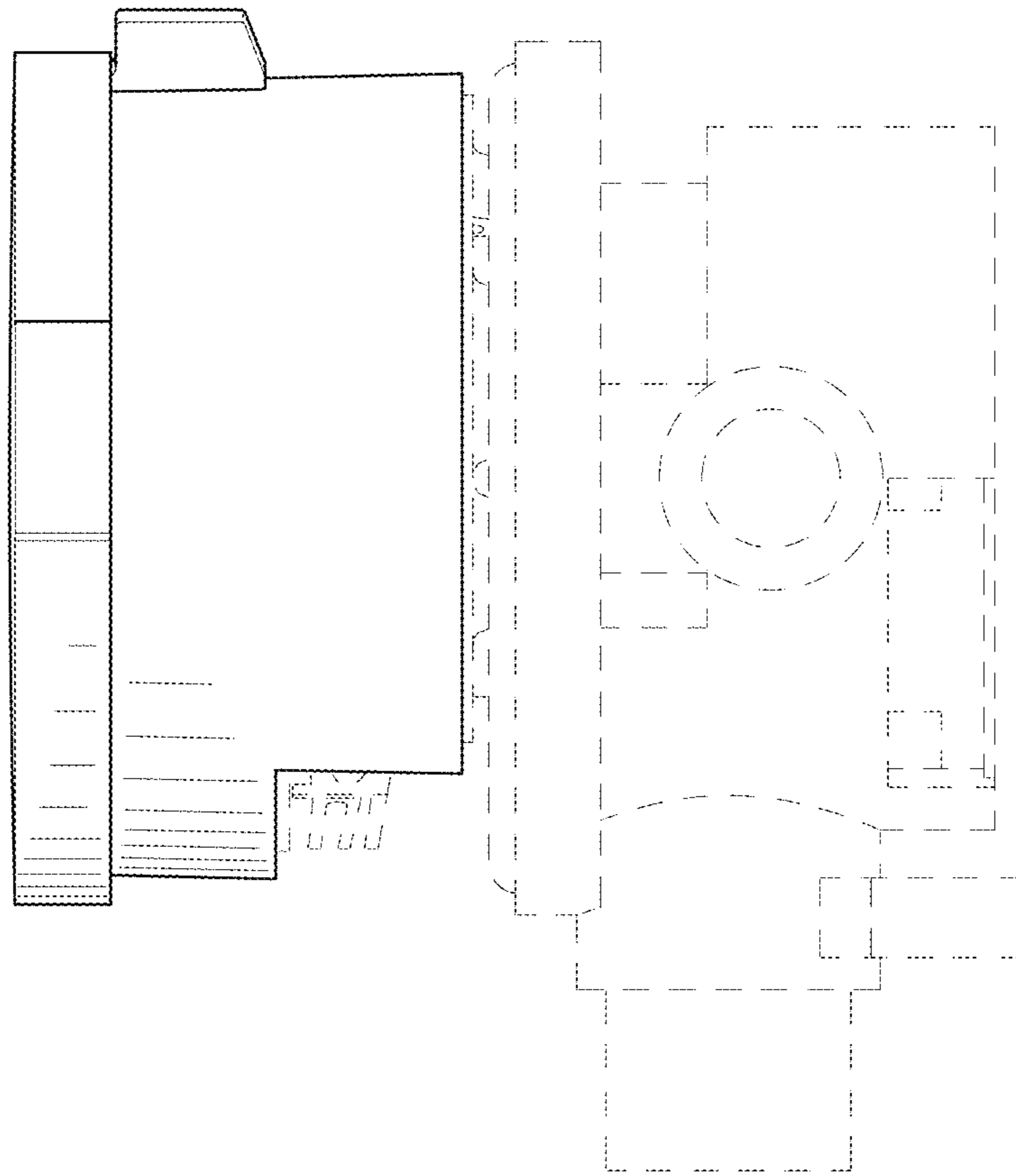


FIG.5

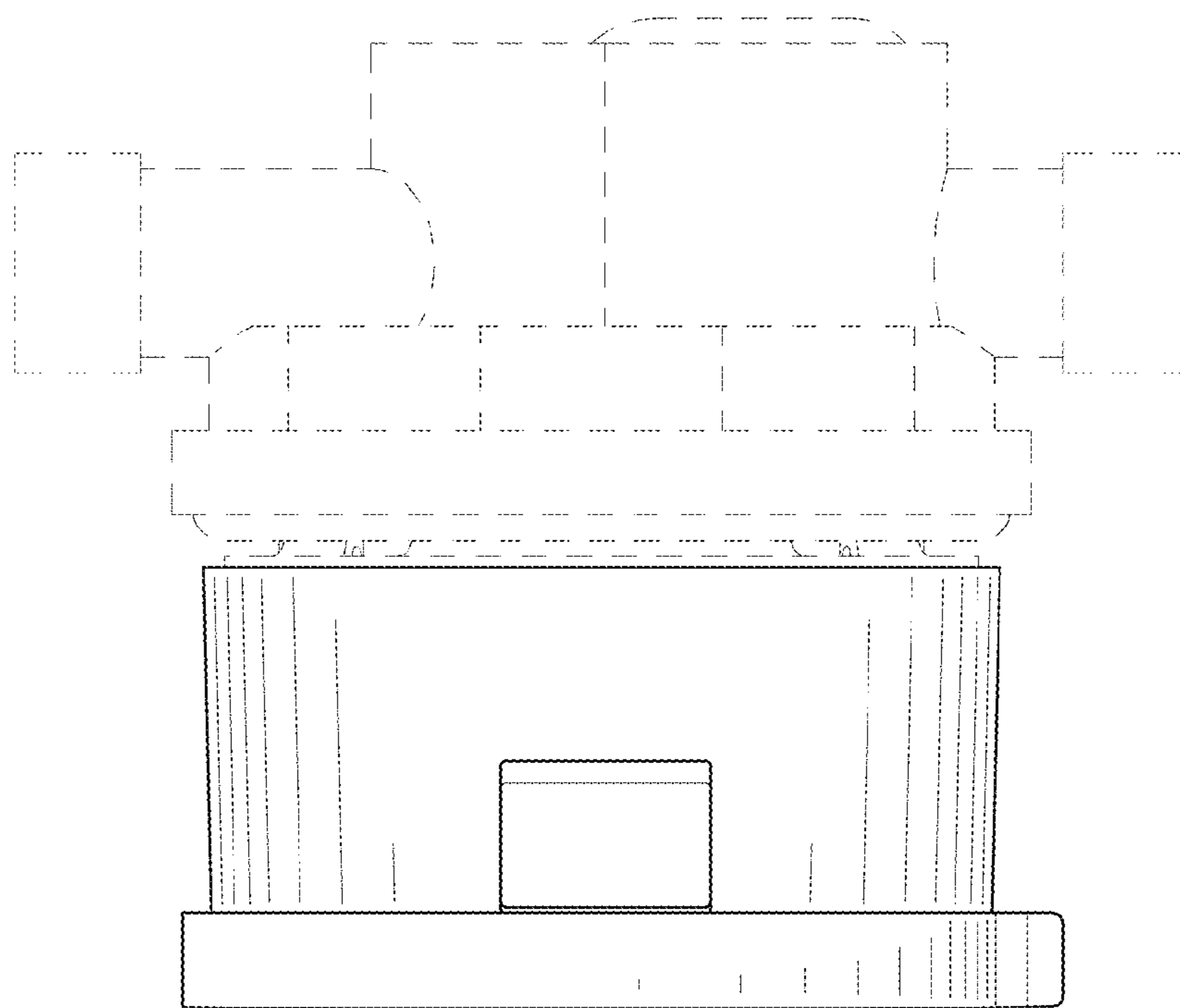


FIG.6



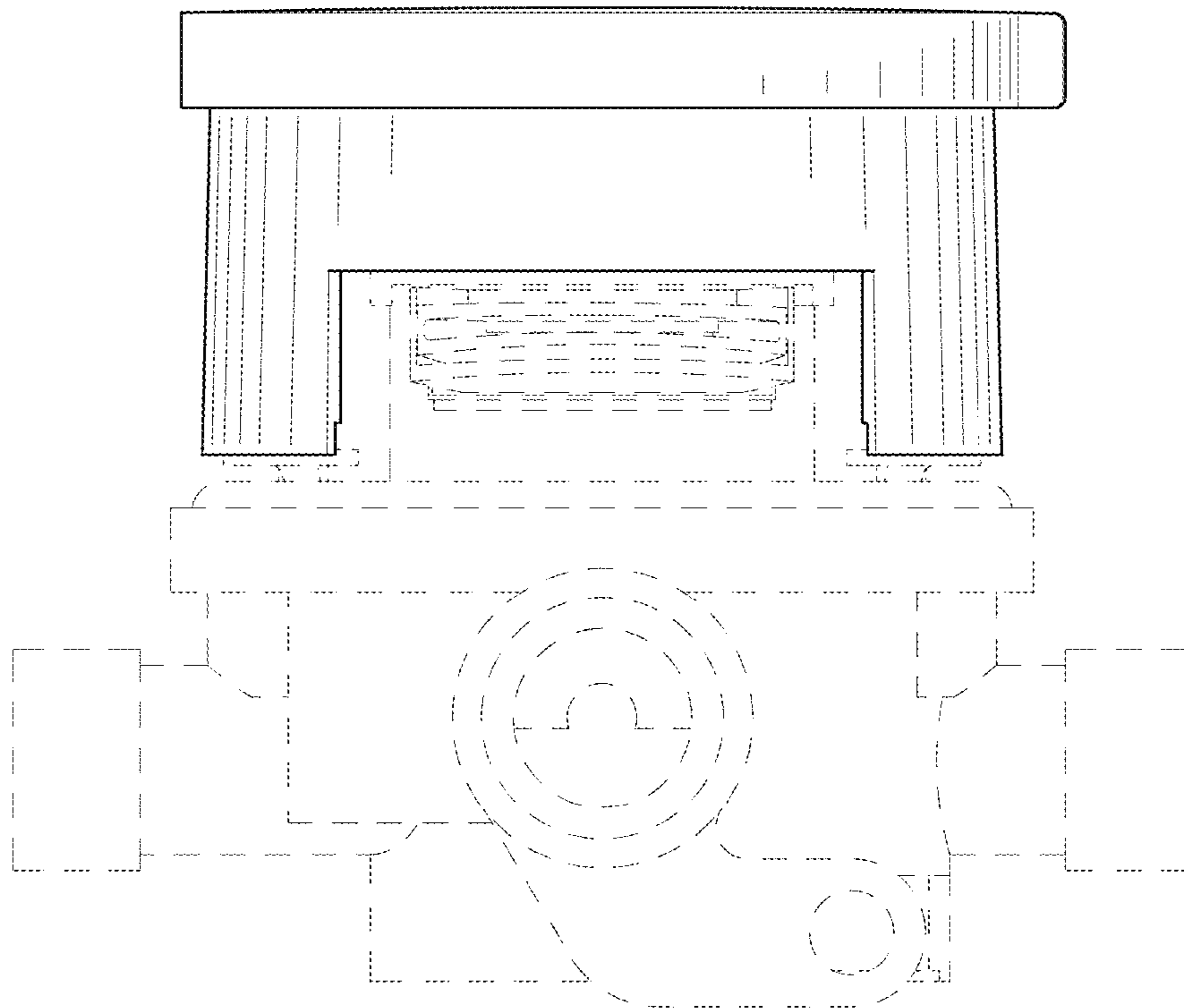


FIG.7

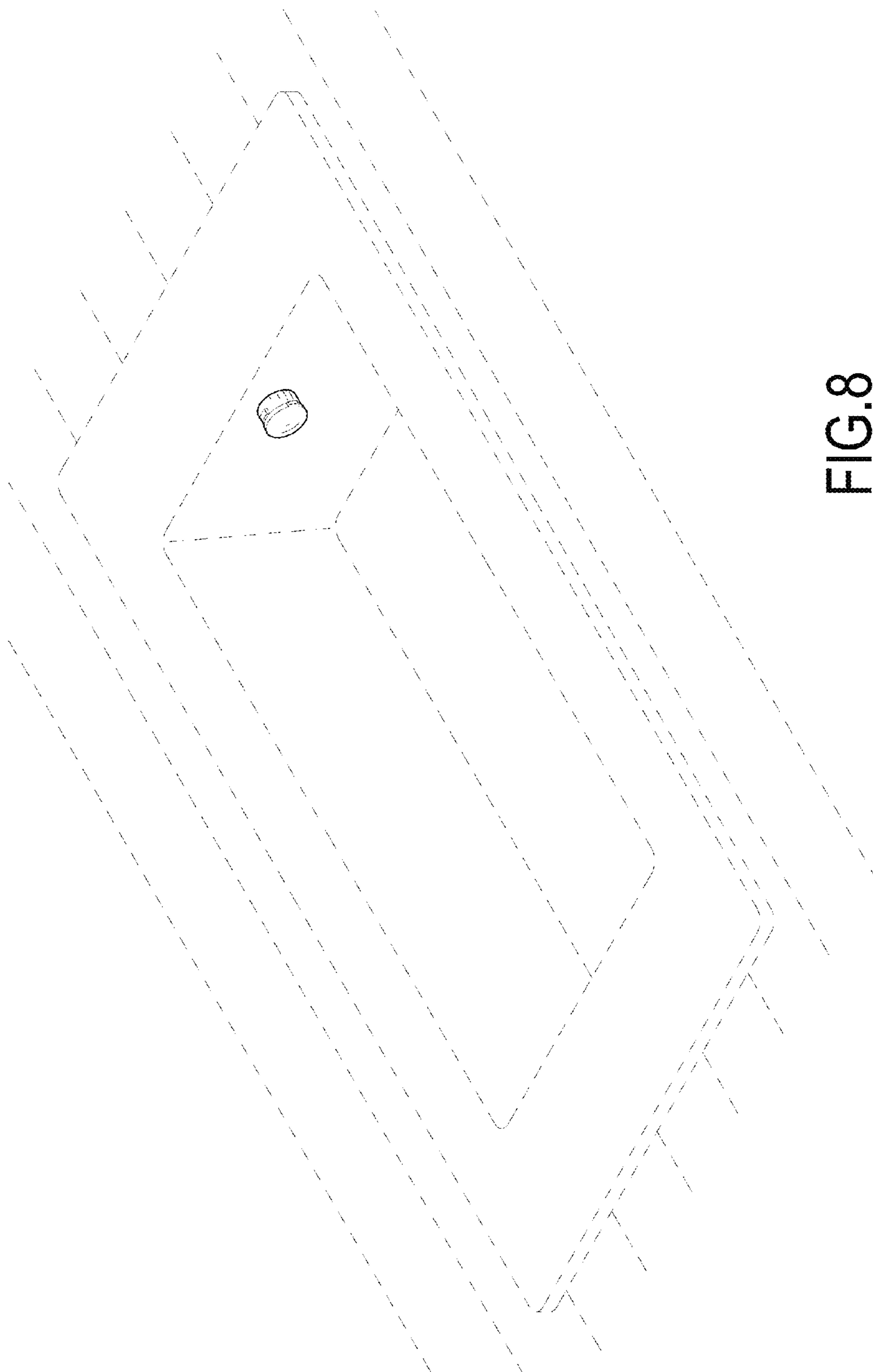


FIG.8

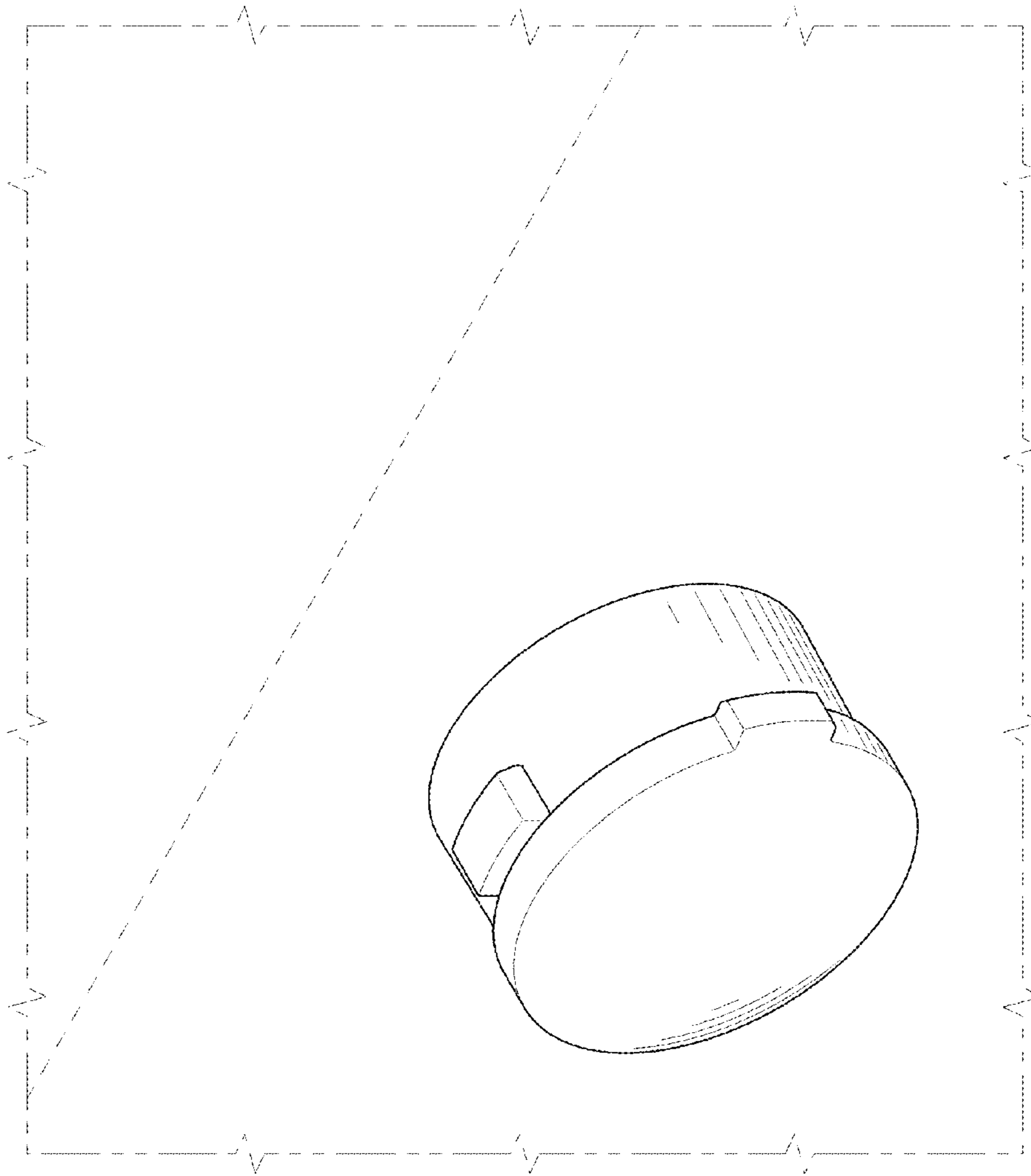


FIG.9