



US00D722358S

(12) **United States Design Patent**
Keller

(10) **Patent No.:** **US D722,358 S**

(45) **Date of Patent:** **** Feb. 10, 2015**

(54) **RIFLE TRIGGER GUARD**

(71) Applicant: **Mark Keller**, Dayton, OH (US)

(72) Inventor: **Mark Keller**, Dayton, OH (US)

(**) Term: **14 Years**

(21) Appl. No.: **29/465,070**

(22) Filed: **Aug. 23, 2013**

(51) **LOC (10) Cl.** **22-01**

(52) **U.S. Cl.**

USPC **D22/108**

(58) **Field of Classification Search**

CPC F41A 17/20; F41A 17/22; F41A 17/24;
F41A 17/26; F41A 17/28; F41A 17/30;
F41A 17/32; F41A 17/42; F41A 17/44;
F41A 17/46; F41A 17/48; F41A 17/52;
F41A 17/54; F41C 7/00; F41C 7/11; F41C
7/12

USPC D22/103, 108; 42/42.02–42.03, 70.07;
89/37.04; 124/72, 74, 31

See application file for complete search history.

(56) **References Cited**

U.S. PATENT DOCUMENTS

2,590,858 A * 4/1952 Harvey 42/69.01
3,713,242 A * 1/1973 Seifried 42/70.06
D627,415 S * 11/2010 Finn D22/108

D702,801 S * 4/2014 Larson et al. D22/108
2010/0077914 A1 * 4/2010 Steimke et al. 89/156

* cited by examiner

Primary Examiner — Michael A Pratt

(74) *Attorney, Agent, or Firm* — Dinsmore & Shohl LLP

(57) **CLAIM**

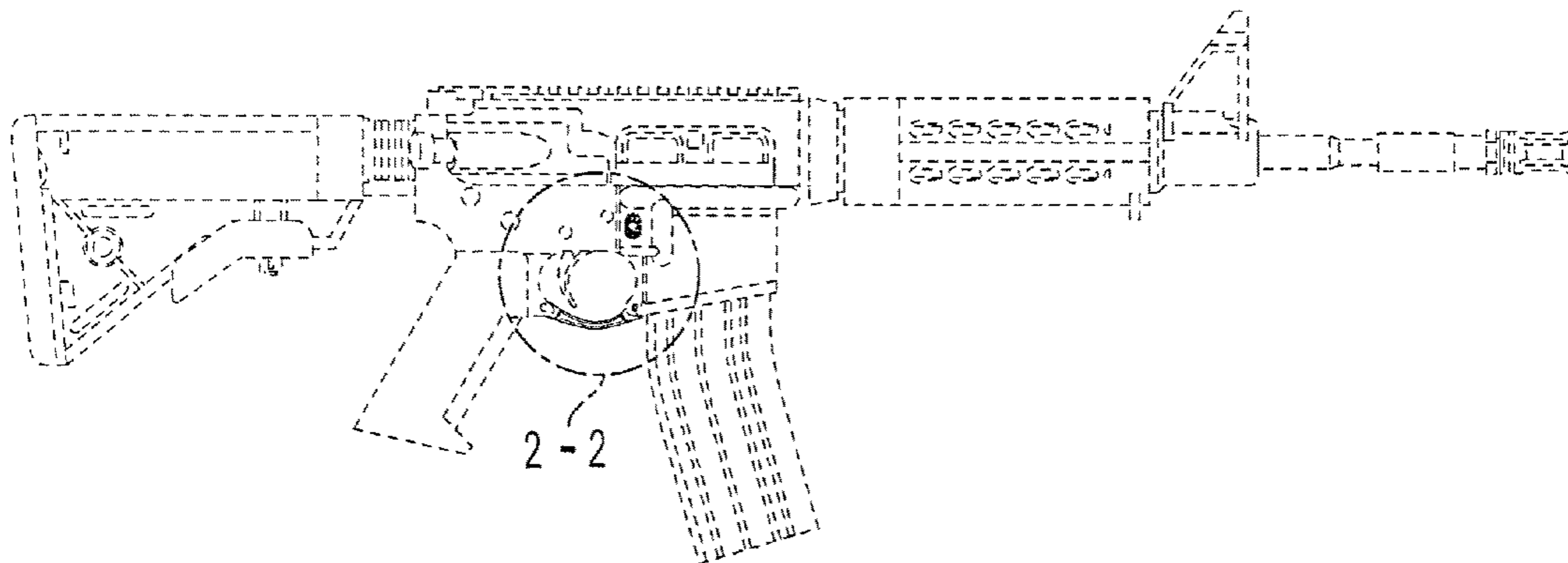
The ornamental design of a rifle trigger guard, as shown and described.

DESCRIPTION

FIG. 1 is a right side view thereof;
FIG. 2 is a right side view thereof of section 2-2 of FIG. 1;
FIG. 3 is a bottom view thereof;
FIG. 4 is a right side view thereof, with left side view being a mirror image of FIG. 4;
FIG. 5 is a top view thereof;
FIG. 6 is a front view thereof, with a back view being a mirror image of FIG. 6;
FIG. 7 is a perspective view of left, bottom and front sides thereof;
FIG. 8 is a perspective view of left, bottom and back sides thereof; and
FIG. 9 is a perspective view of left, bottom and front sides thereof; and,
FIG. 10 is a perspective view of left, bottom and back sides thereof.

The broken line structure is provided to illustrate environmental structure that forms no part of the claimed design.

1 Claim, 6 Drawing Sheets



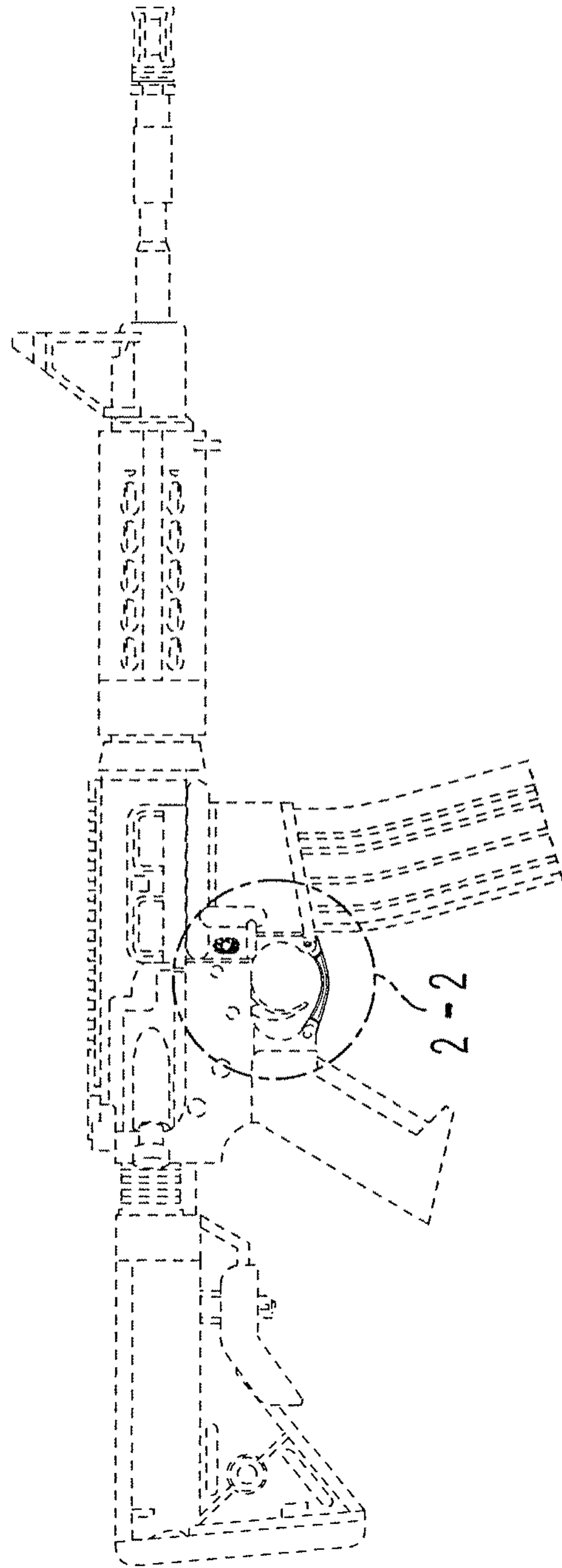


FIG. 1

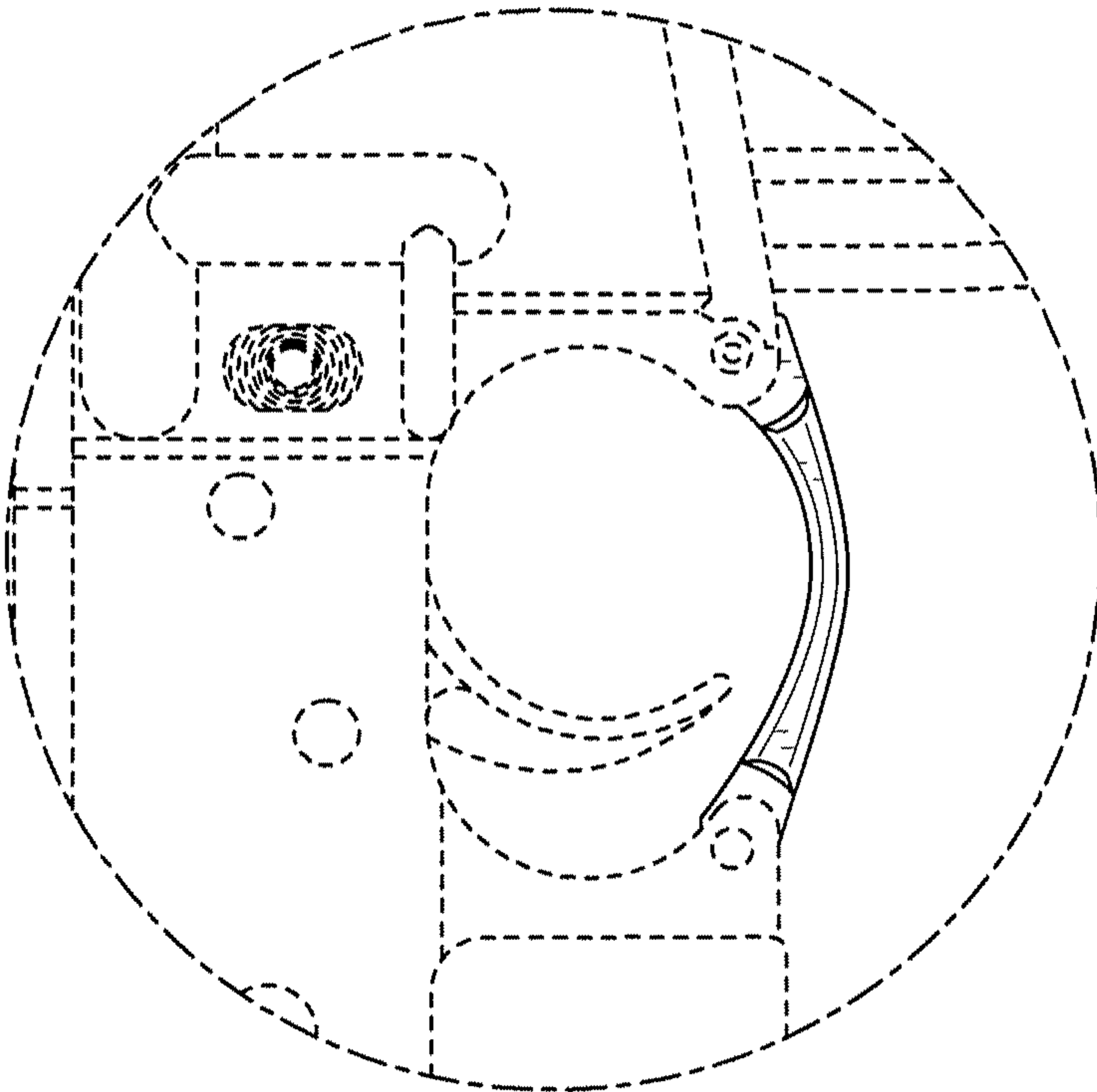


FIG. 2

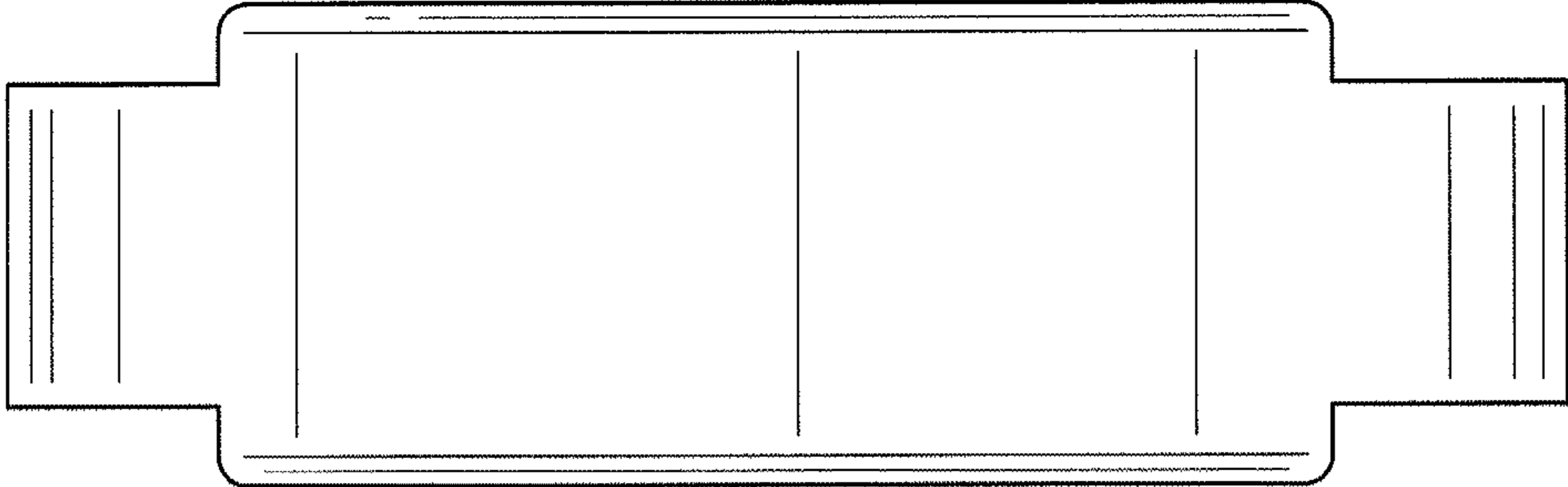


FIG. 3

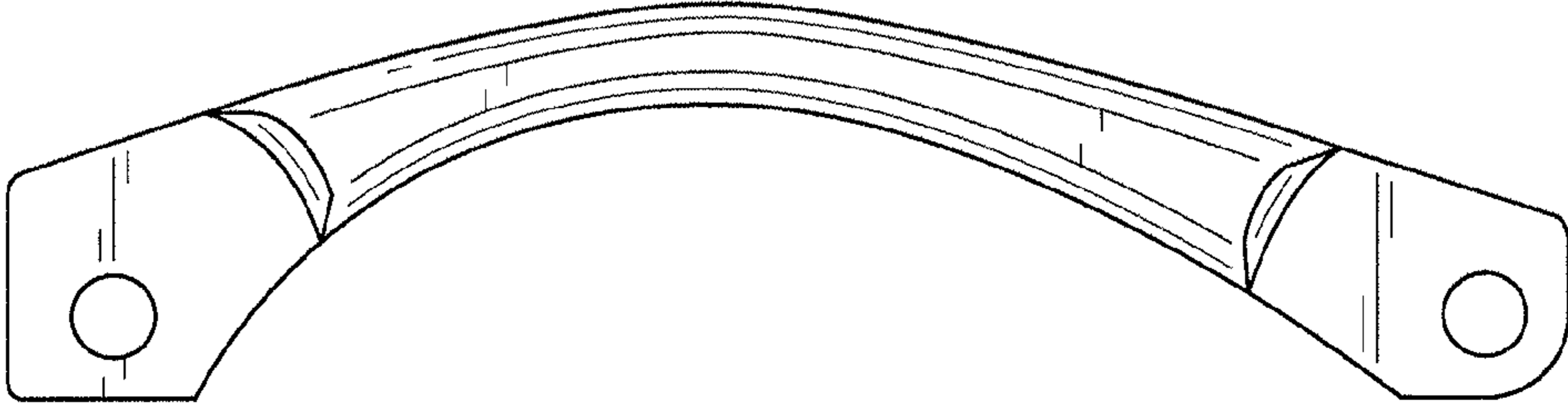


FIG. 4

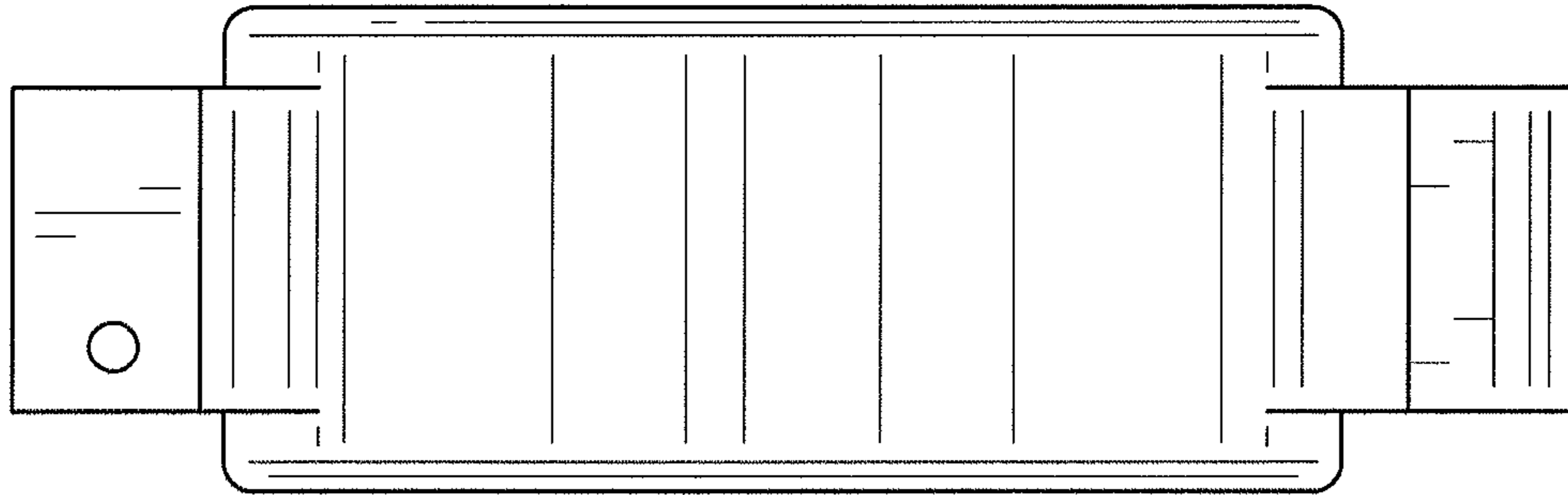


FIG. 5

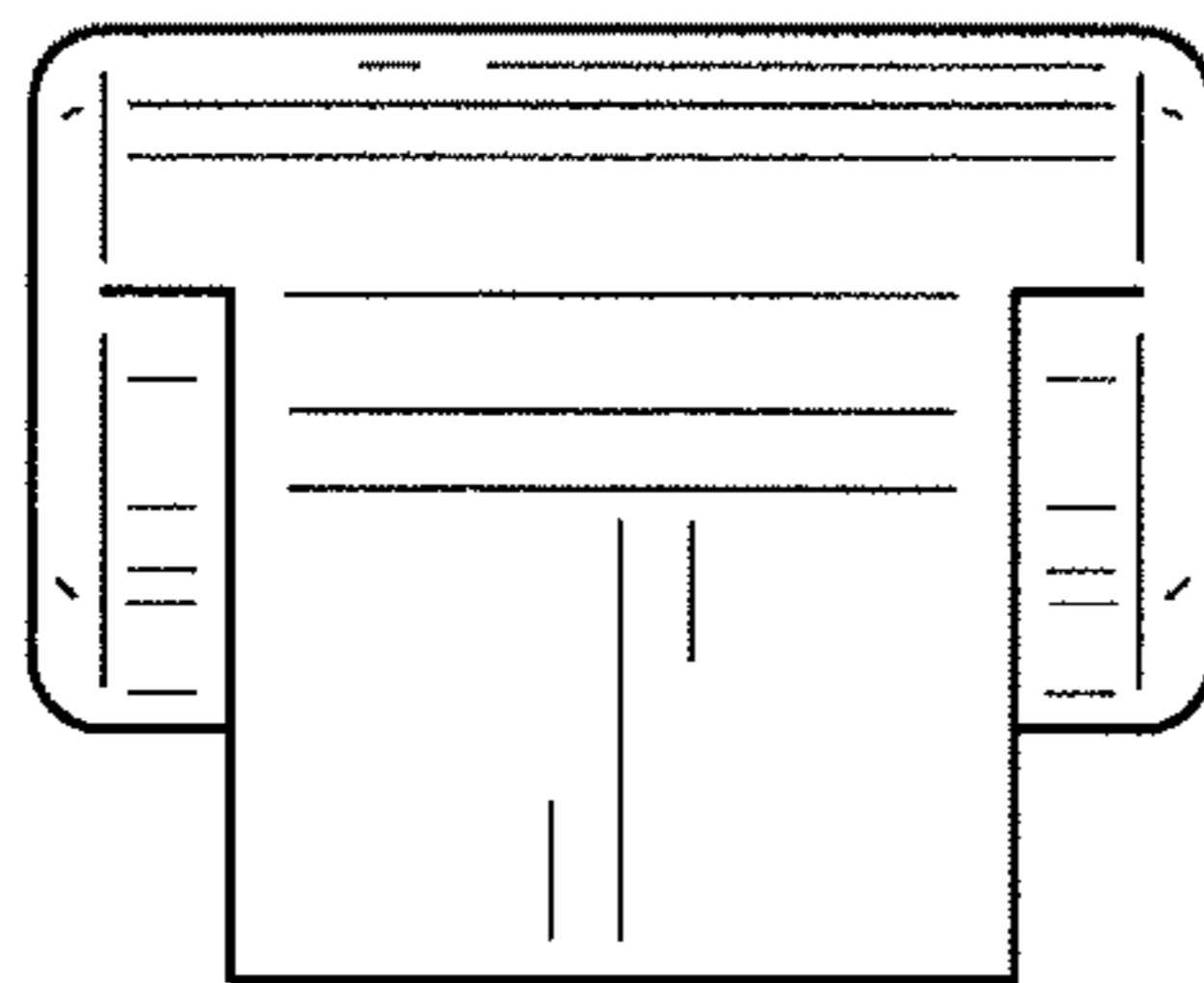


FIG. 6

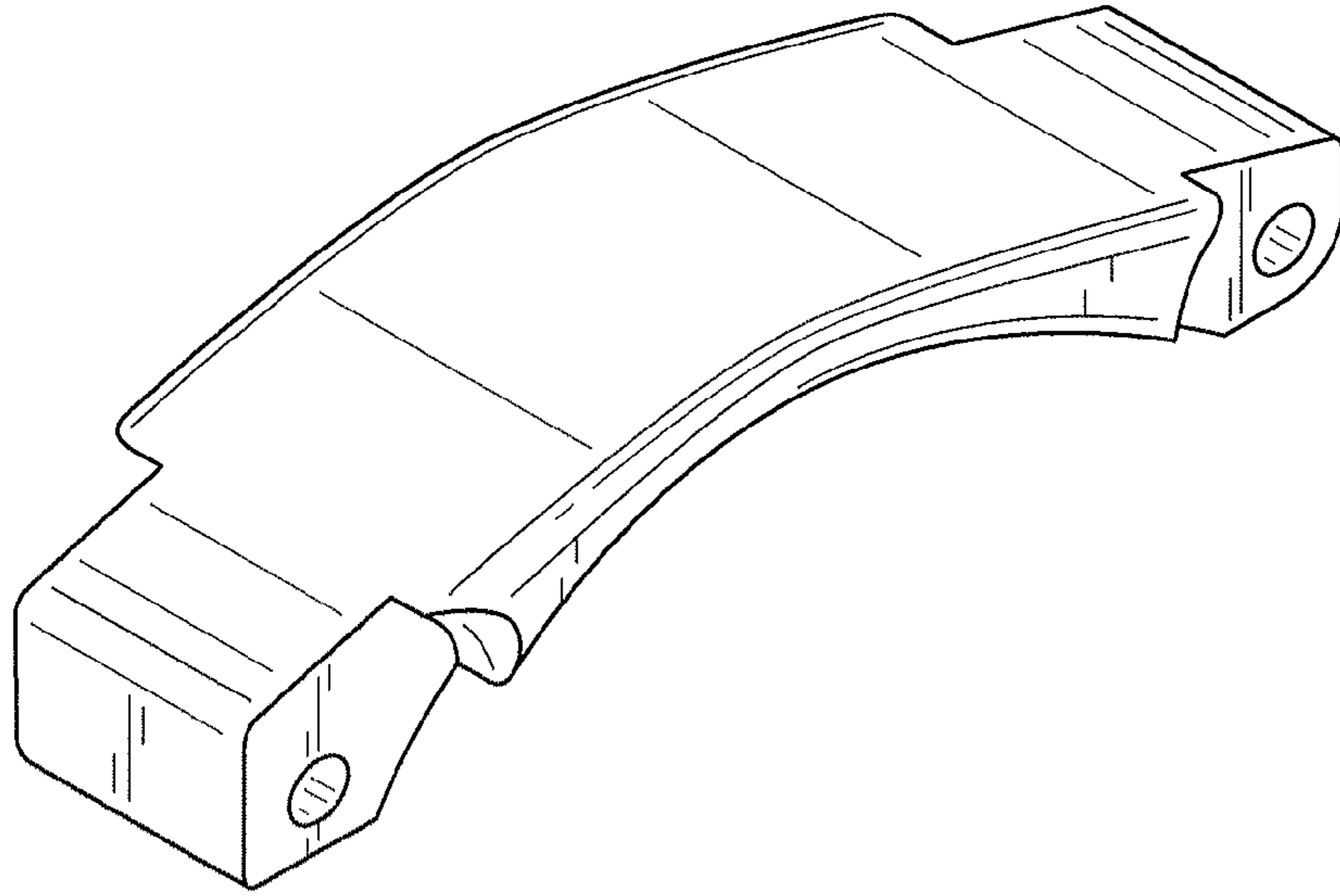


FIG. 7

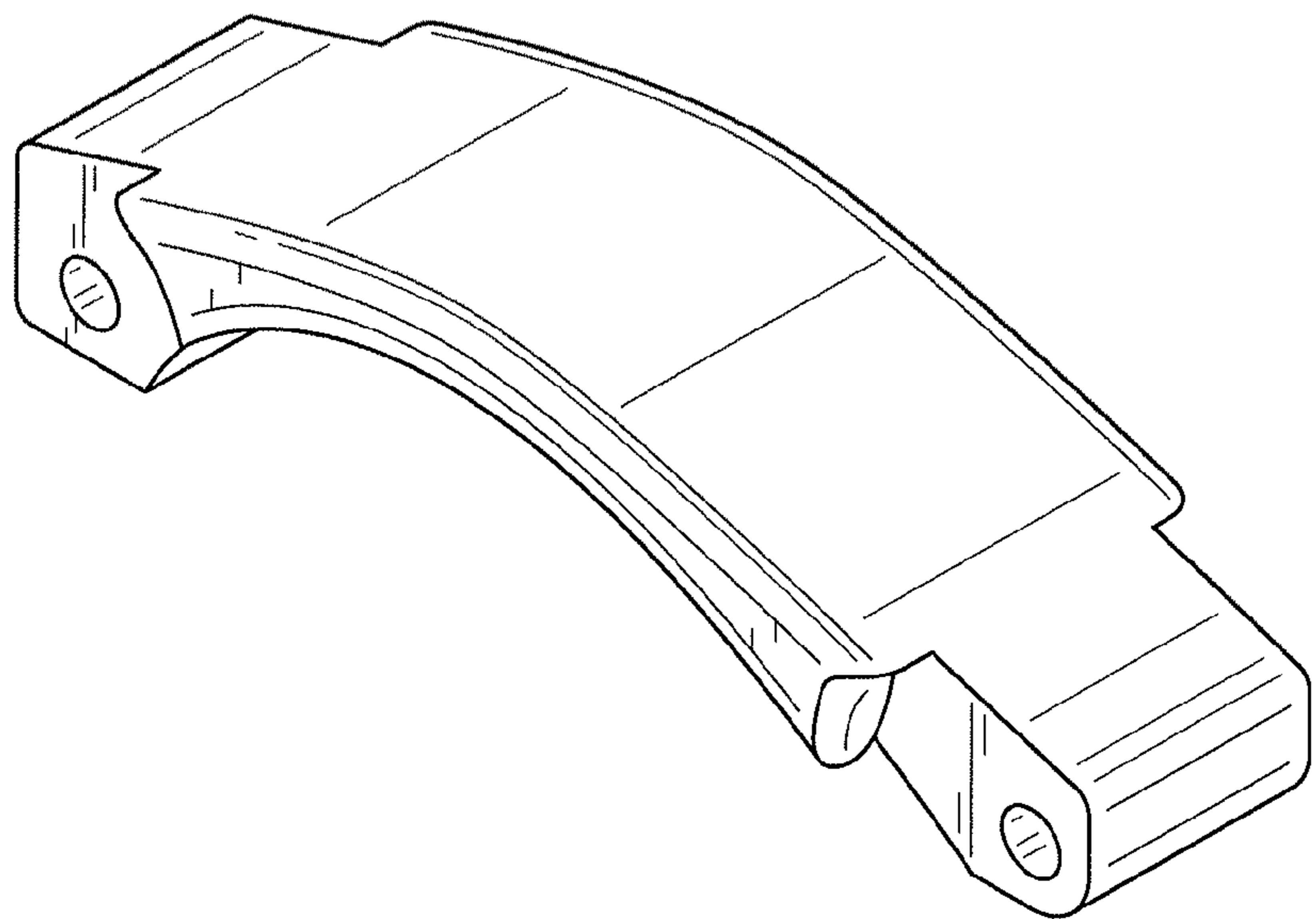


FIG. 8

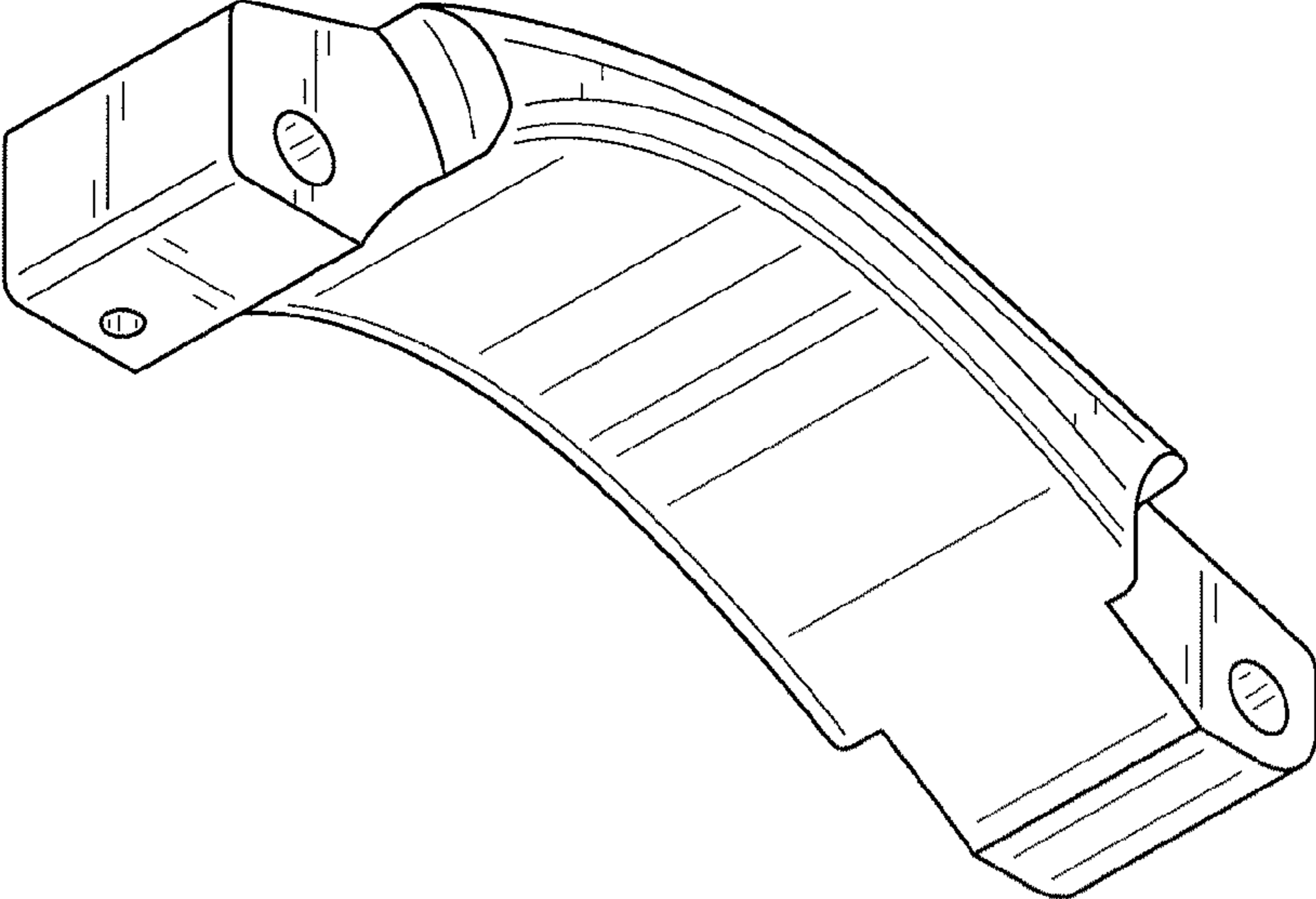


FIG. 9

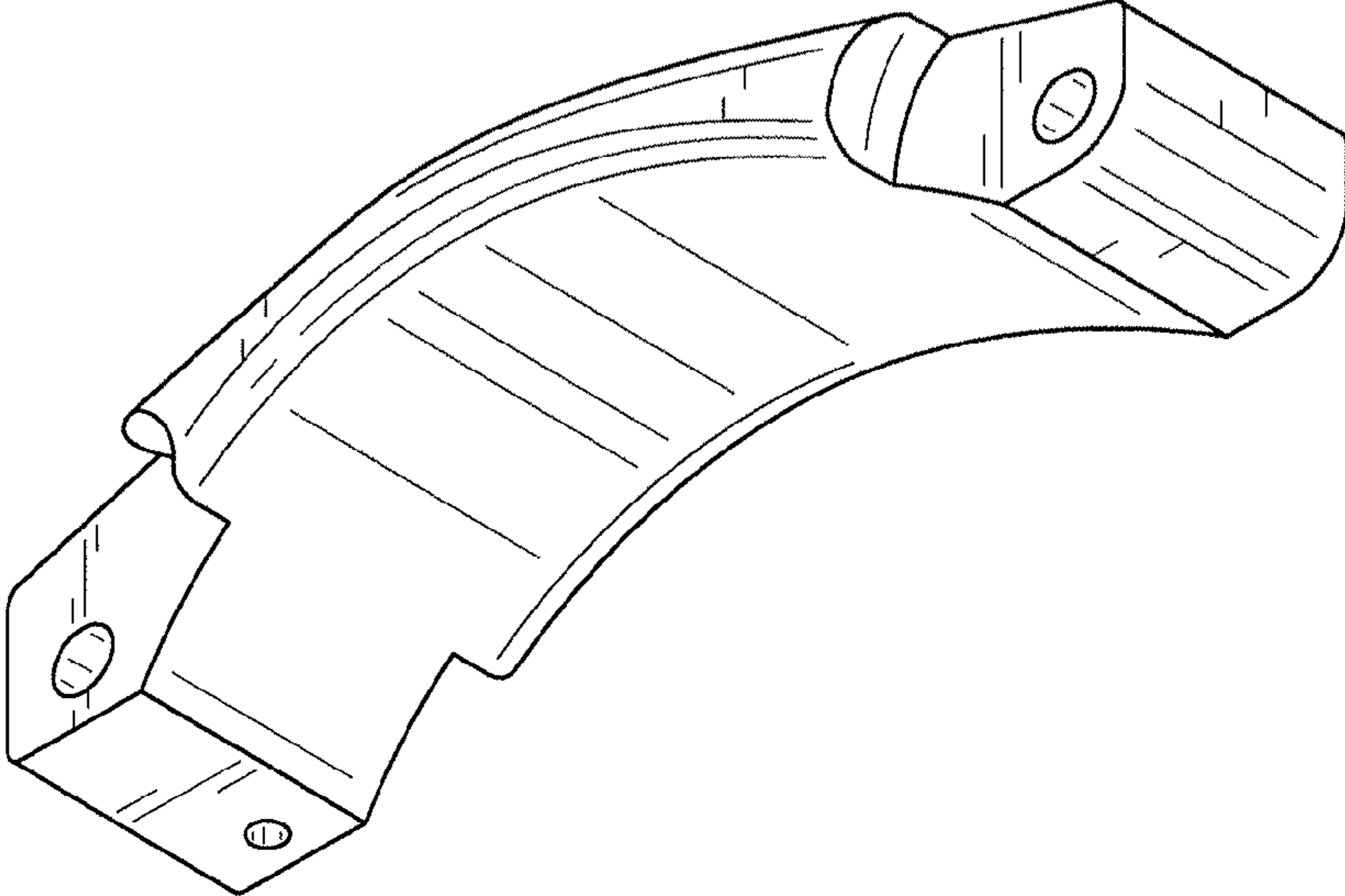


FIG. 10