



US00D722356S

(12) **United States Design Patent**  
**Keller et al.**

(10) **Patent No.:** **US D722,356 S**

(45) **Date of Patent:** **\*\* Feb. 10, 2015**

(54) **RIFLE HANDGUARD**

(71) Applicants: **Mark Keller**, Dayton, OH (US); **Judd Burke**, Xenia, OH (US); **Matthew Vallo**, Dayton, OH (US)

(72) Inventors: **Mark Keller**, Dayton, OH (US); **Judd Burke**, Xenia, OH (US); **Matthew Vallo**, Dayton, OH (US)

(\*\*) Term: **14 Years**

(21) Appl. No.: **29/464,715**

(22) Filed: **Aug. 20, 2013**

(51) **LOC (10) Cl.** ..... **22-01**

(52) **U.S. Cl.**  
USPC ..... **D22/108**

(58) **Field of Classification Search**  
CPC ..... F41C 7/00; F41C 7/11; F41C 7/12  
USPC ..... D22/104, 108; 42/51, 71.01, 75.01,  
42/75.02, 90, 94, 134, 136, 139, 125, 72,  
42/111; 89/40.06, 41.19, 37.04, 33.04,  
89/191.01, 200-204; 124/67, 66, 72, 74;  
D21/572-575

See application file for complete search history.

(56) **References Cited**

**U.S. PATENT DOCUMENTS**

3,798,818 A \* 3/1974 Casull ..... 42/72  
5,603,594 A \* 2/1997 Lincoln ..... 411/84

7,905,041 B1 \* 3/2011 Davies ..... 42/75.02  
D636,453 S \* 4/2011 Fitzpatrick et al. .... D22/108  
D656,215 S \* 3/2012 Fitzpatrick et al. .... D22/108  
8,528,246 B2 \* 9/2013 Telles ..... 42/94  
8,752,320 B2 \* 6/2014 Masters ..... 42/71.01

\* cited by examiner

*Primary Examiner* — Michael A Pratt

(74) *Attorney, Agent, or Firm* — Dinsmore & Shohl LLP

(57) **CLAIM**

The ornamental design of a rifle handguard, as shown and described.

**DESCRIPTION**

FIG. 1 is a perspective view of right, back and bottom sides thereof;

FIG. 2 is a perspective view of right, back and top sides thereof;

FIG. 3 is a perspective view of right, front and bottom sides thereof;

FIG. 4 is a perspective view of right, front and top sides thereof;

FIG. 5 is a bottom view thereof;

FIG. 6 is a top view thereof;

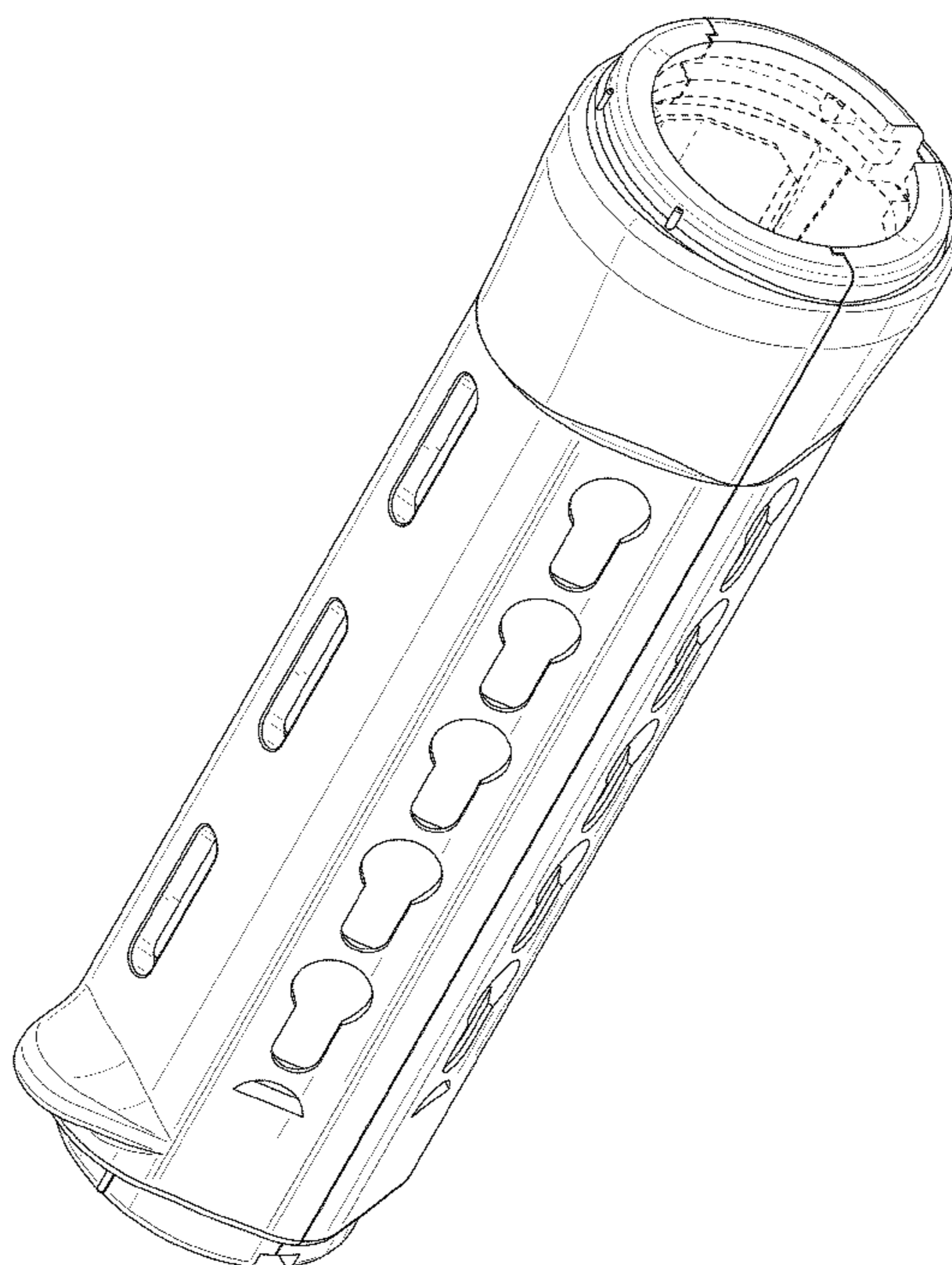
FIG. 7 is a right side view thereof, with left side view being a mirror image of FIG. 7;

FIG. 8 is a front view thereof; and,

FIG. 9 is a back view thereof.

The broken line structure is provided to illustrate environmental structure that forms no part of the claimed design.

**1 Claim, 8 Drawing Sheets**



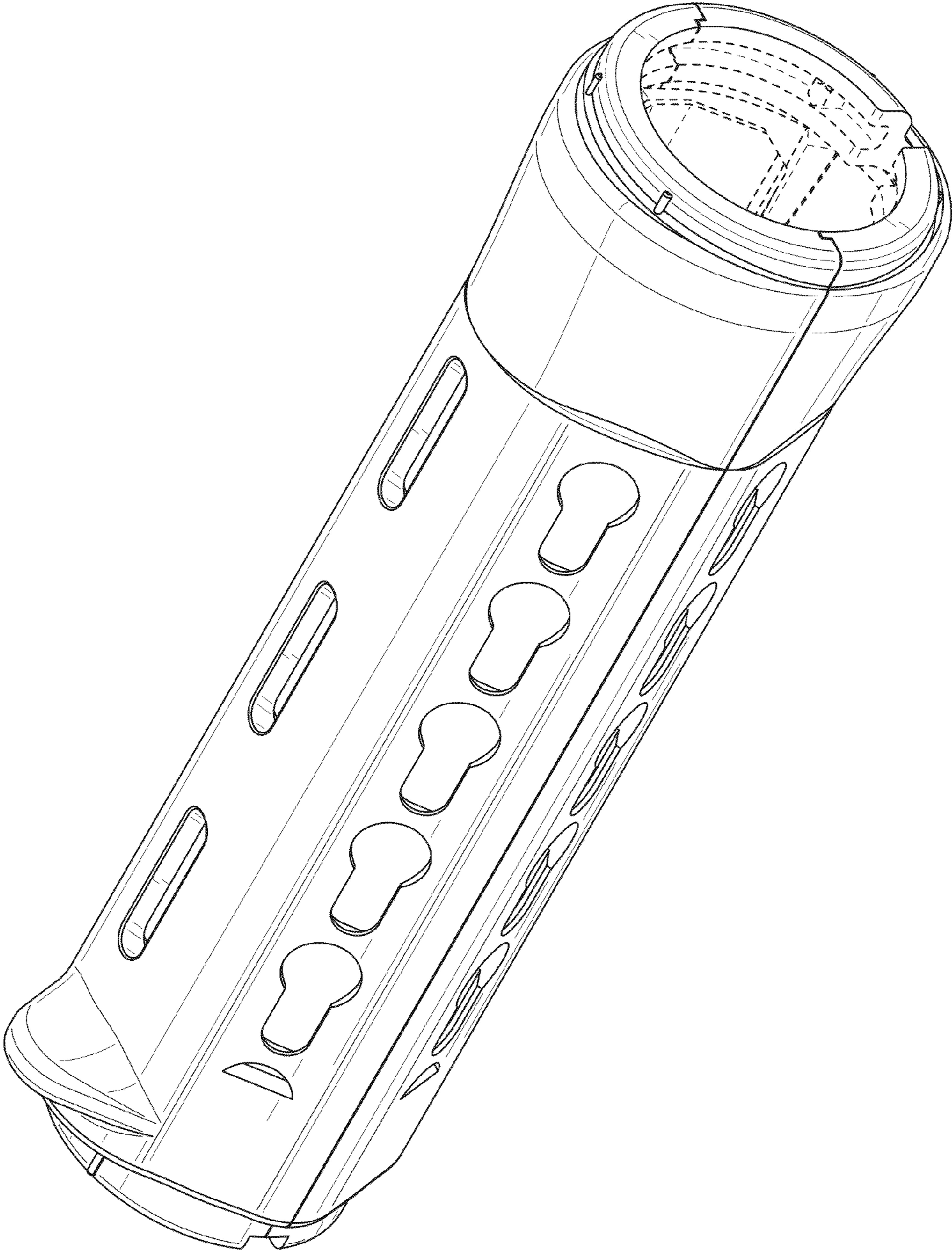


FIG. 1

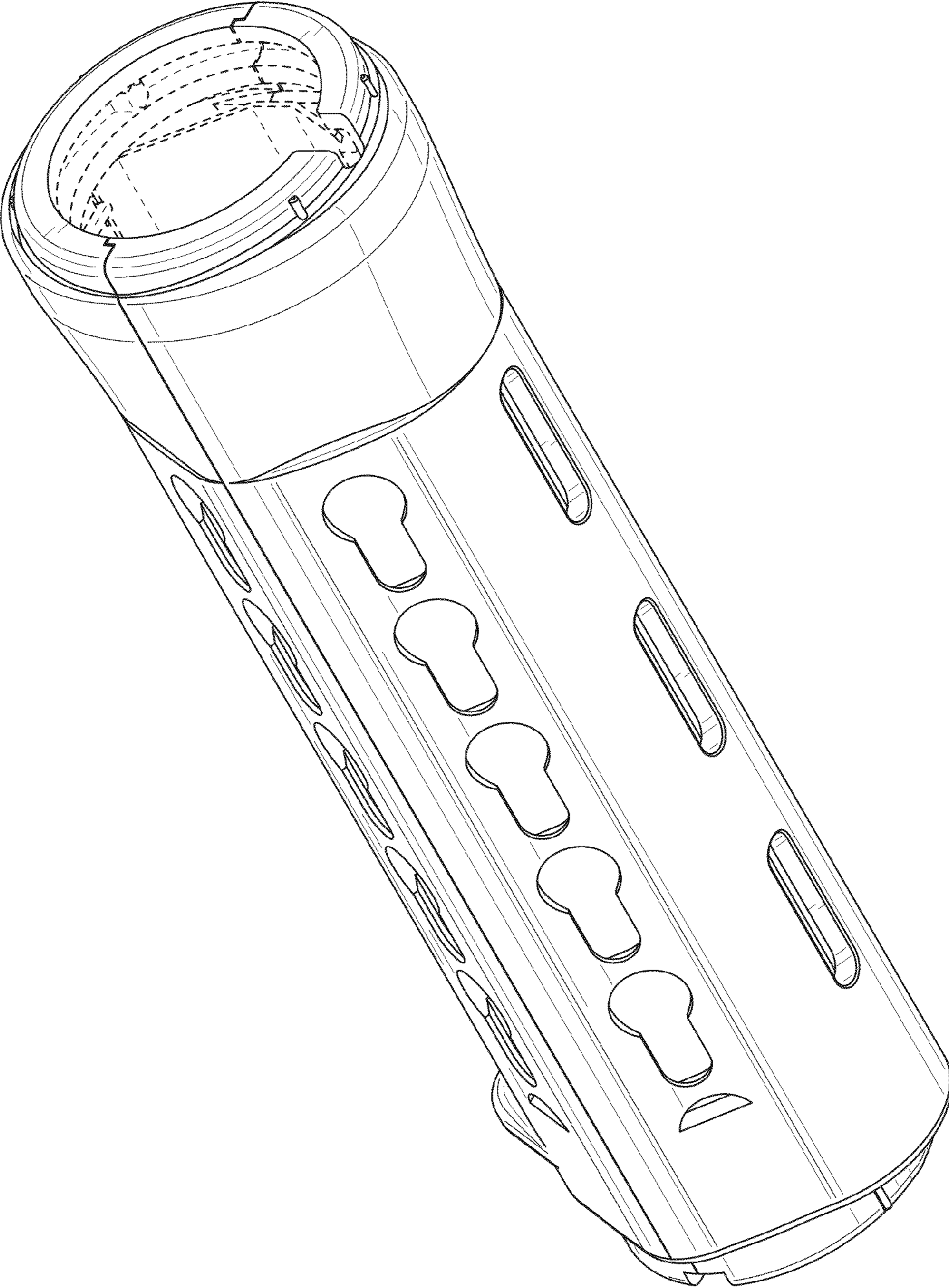


FIG. 2

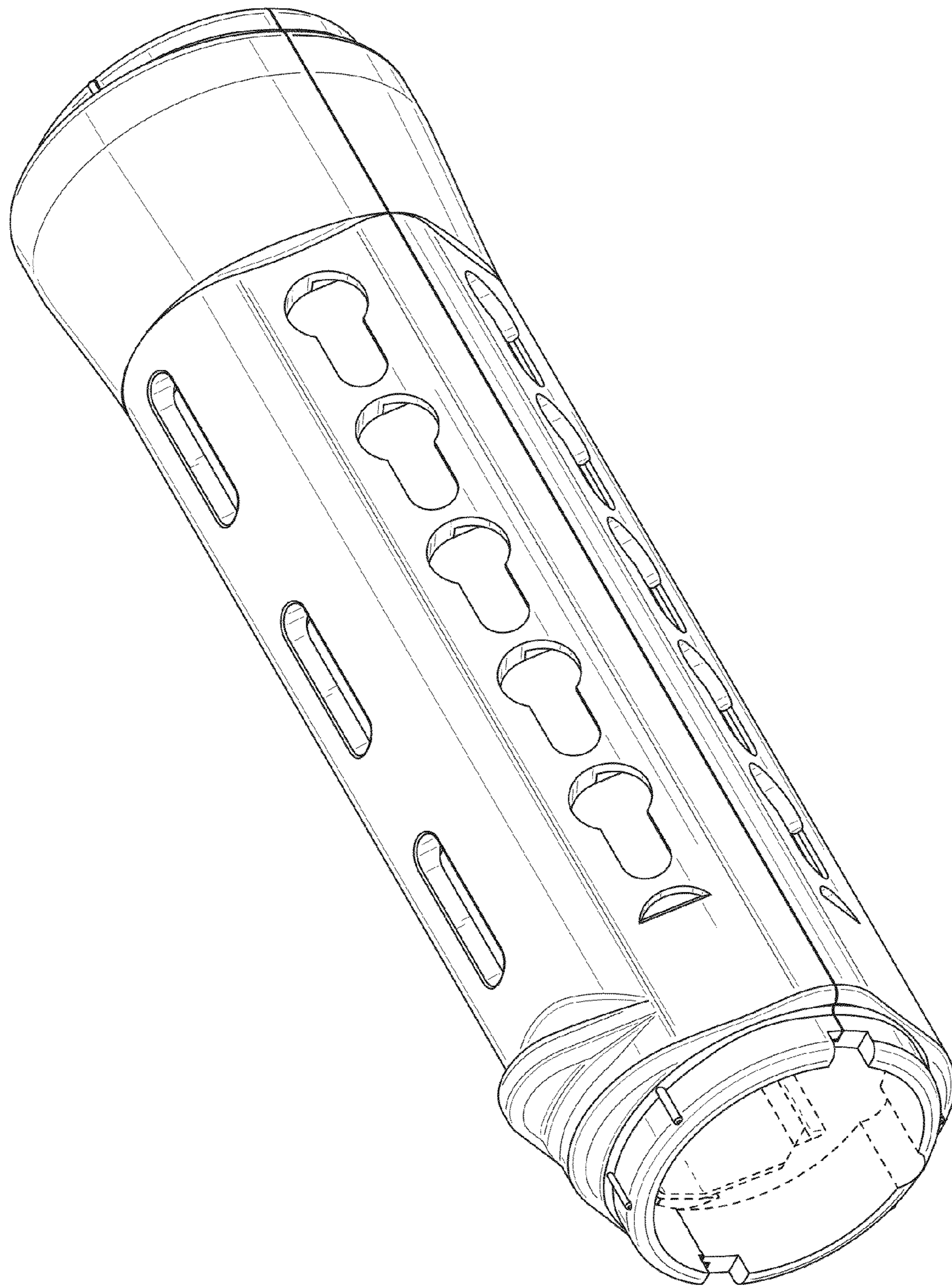


FIG. 3

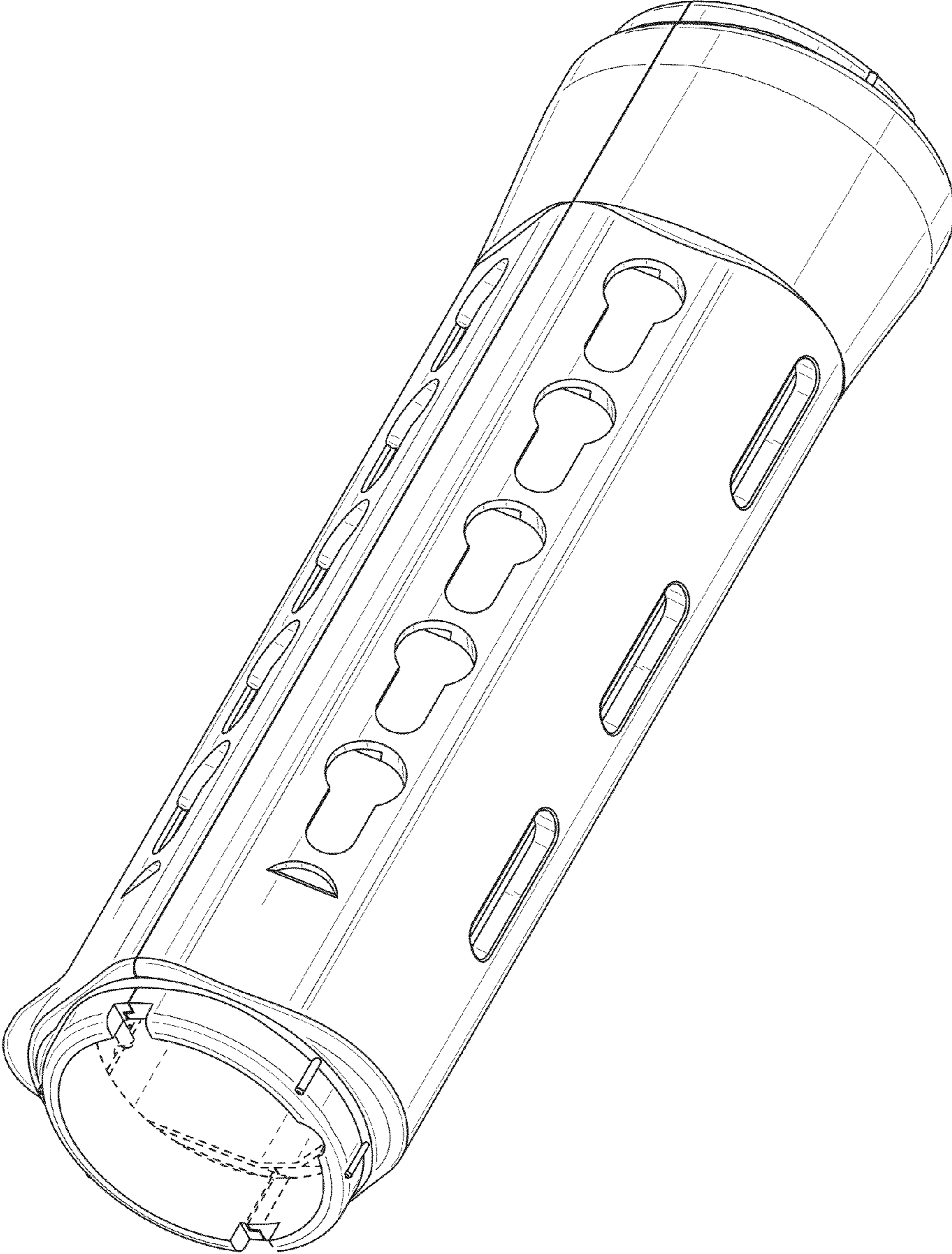


FIG. 4

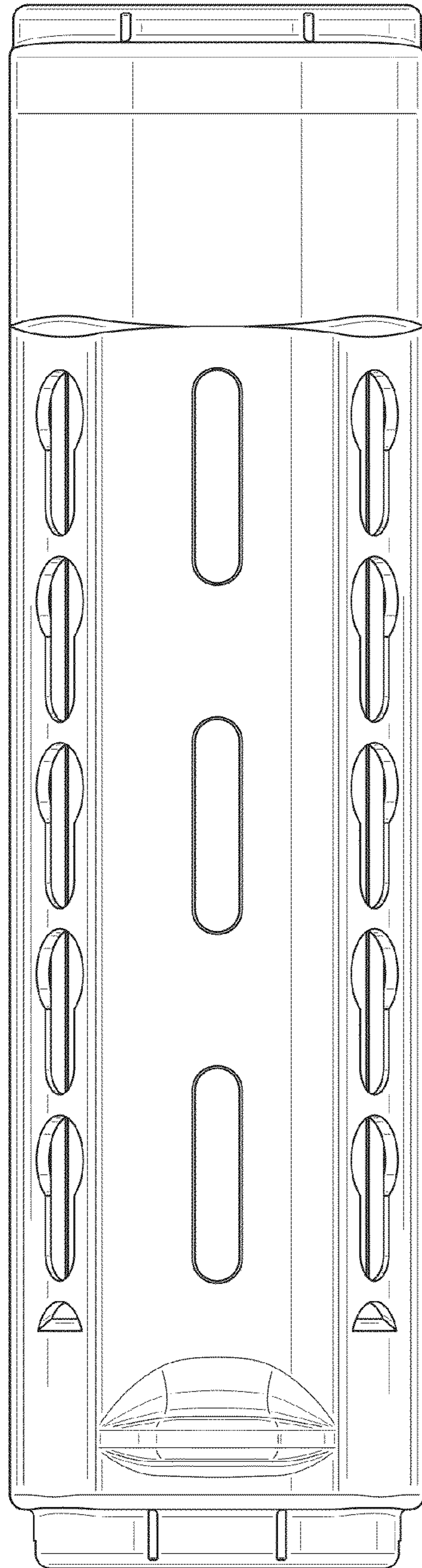


FIG. 5

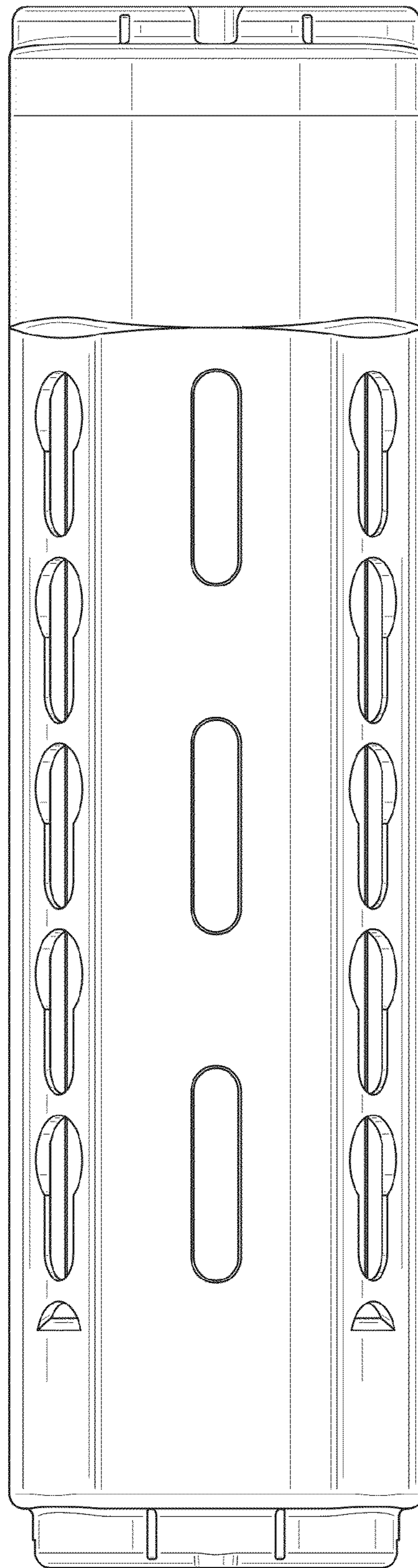


FIG. 6

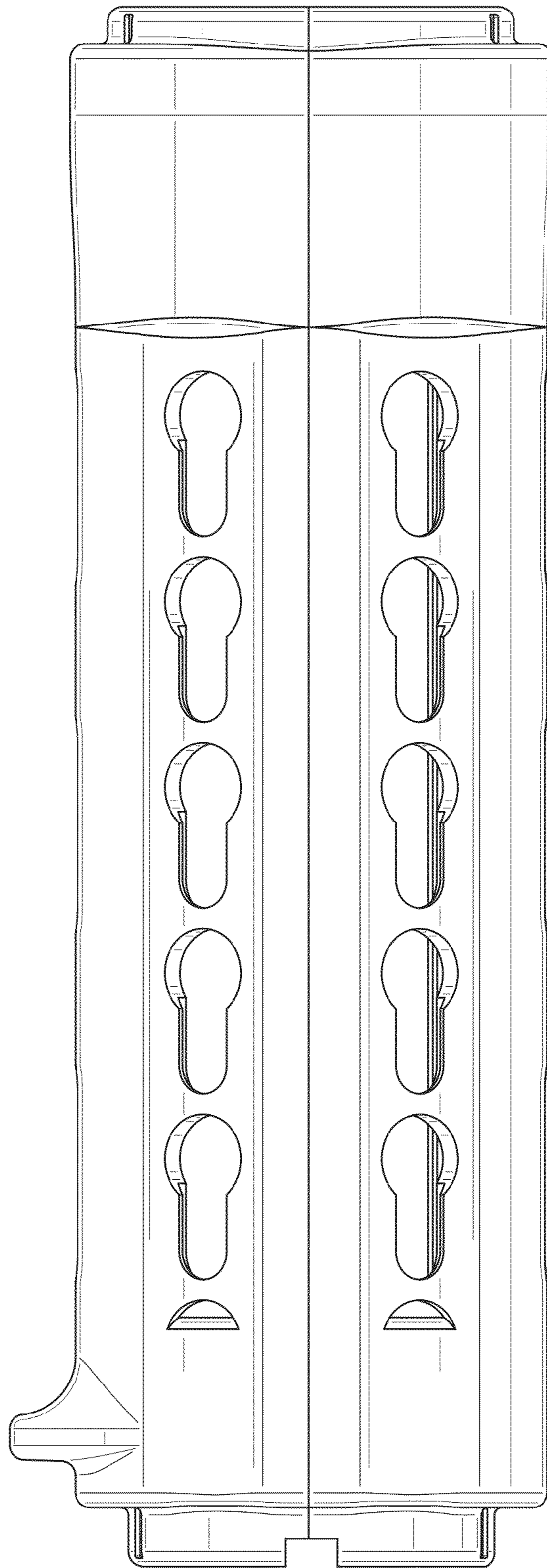


FIG. 7



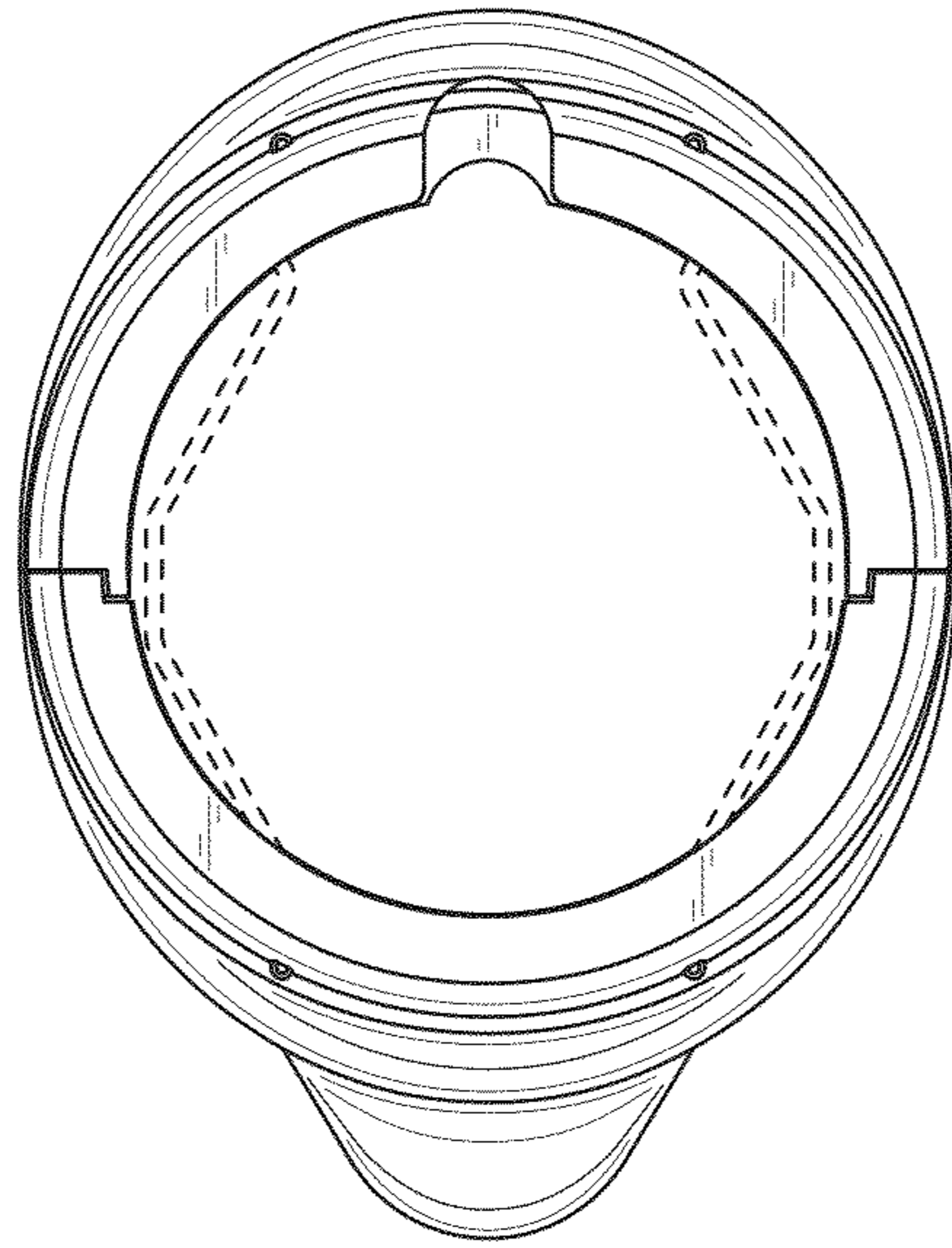


FIG. 8

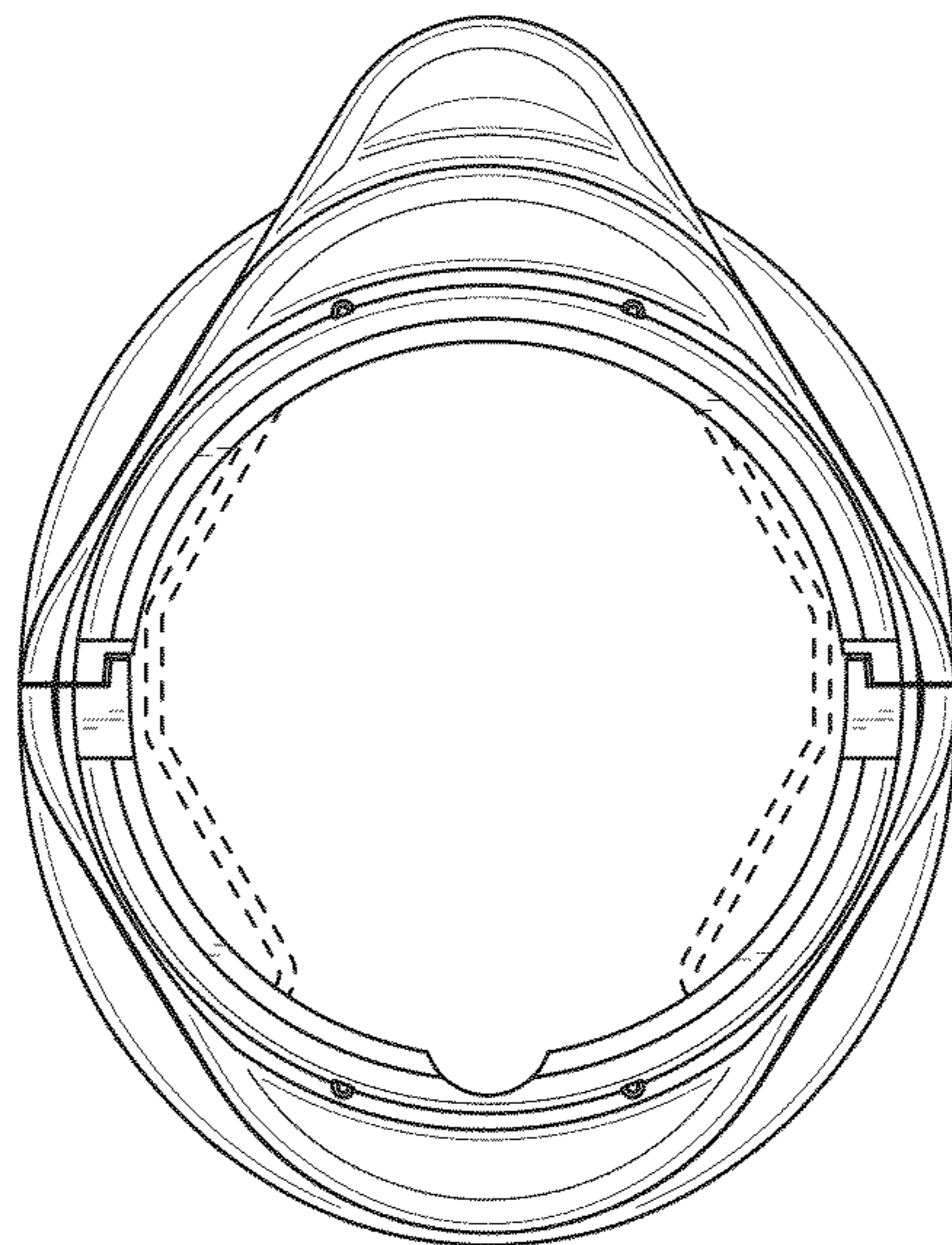


FIG. 9