



US00D722355S

(12) **United States Design Patent**  
**Daniel et al.**

(10) **Patent No.:** **US D722,355 S**  
(45) **Date of Patent:** **\*\* Feb. 10, 2015**

- (54) **FIREARM SLING ATTACHMENT POINT**
- (71) Applicant: **Daniel Defense, Inc.**, Black Creek, GA (US)
- (72) Inventors: **Marvin C. Daniel**, Pooler, GA (US);  
**George Farren Hambrick, III**, Savannah, GA (US)
- (73) Assignee: **Daniel Defense, Inc.**, Black Creek, GA (US)
- (\*\*) Term: **14 Years**
- (21) Appl. No.: **29/462,181**
- (22) Filed: **Jul. 31, 2013**
- (51) **LOC (10) Cl.** ..... **22-01**
- (52) **U.S. Cl.**  
USPC ..... **D22/108**
- (58) **Field of Classification Search**  
CPC .. F41C 33/02; F41C 33/0209; F41C 33/0236;  
F41C 33/0245; F41C 33/0254; F41C 33/0263;  
F41C 33/0272; F41C 33/0281; F41C 33/06;  
F41C 23/02  
USPC ..... D22/108; D3/214–215, 221, 262,  
D3/327–328; 42/85, 95; D29/101.1, 101.2;  
224/150  
See application file for complete search history.

7,959,046	B2 *	6/2011	Burnsed et al.	.....	224/150
D664,233	S	7/2012	Heidkamp et al.		
D669,150	S *	10/2012	Mayberry et al.	.....	D22/108
8,312,662	B2	11/2012	Rogers et al.		
D685,445	S *	7/2013	Pittman	.....	D22/108
8,596,504	B2	12/2013	Haley, Sr. et al.		
D702,311	S *	4/2014	Fitzpatrick et al.	.....	D22/108
D706,378	S *	6/2014	Fitzpatrick et al.	.....	D22/108
2010/0287808	A1	11/2010	King		
2011/0138671	A1	6/2011	Rogers et al.		

\* cited by examiner

*Primary Examiner* — Michael A Pratt

(74) *Attorney, Agent, or Firm* — Sutherland Asbill & Brennan LLP

(57) **CLAIM**

The ornamental design for a firearm sling attachment point, as shown and described.

**DESCRIPTION**

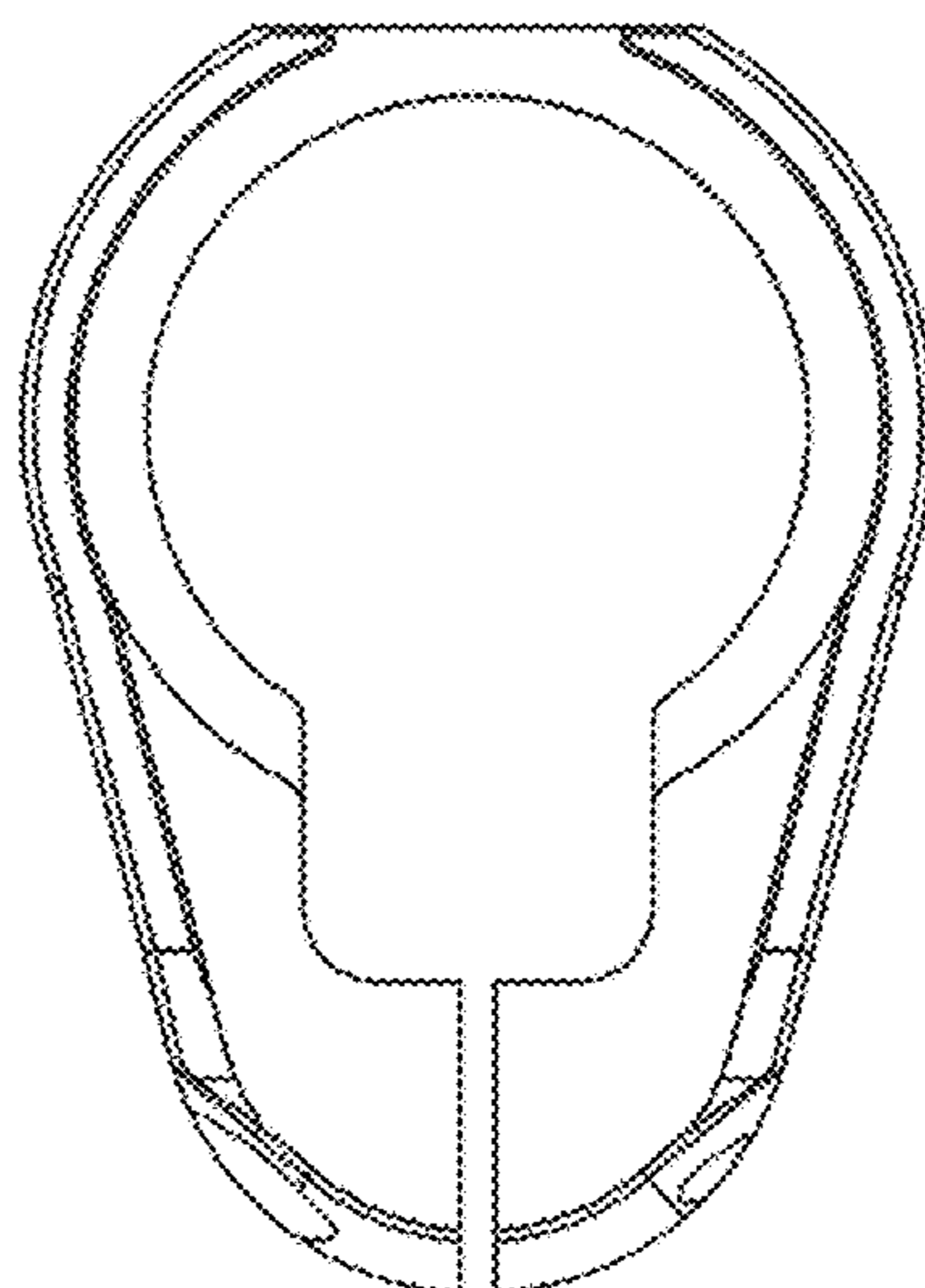
FIG. 1 is a front view of a firearm sling attachment point in accordance with an embodiment of the invention;  
 FIG. 2 is a rear view of a firearm sling attachment point as shown in FIG. 1;  
 FIG. 3 is a left side view of a firearm sling attachment point as shown in FIG. 1;  
 FIG. 4 is a right side view of a firearm sling attachment point as shown in FIG. 1;  
 FIG. 5 is a top view of a firearm sling attachment point as shown in FIG. 1;  
 FIG. 6 is a bottom view of a firearm sling attachment point as shown in FIG. 1;  
 FIG. 7 is a regular isometric view of a firearm sling attachment point as shown in FIG. 1;  
 FIG. 8 is a reverse isometric view of a firearm sling attachment point as shown in FIG. 1; and,  
 FIG. 9 is an auxiliary angled side view of a firearm sling attachment point as shown in FIG. 1.

**1 Claim, 5 Drawing Sheets**

(56) **References Cited**

U.S. PATENT DOCUMENTS

6,263,892	B1 *	7/2001	Baker	.....	135/66
6,598,330	B2 *	7/2003	Garrett et al.	.....	42/85
D495,870	S	9/2004	Verdugo		
D508,726	S *	8/2005	Storch	.....	D22/108
D525,336	S	7/2006	Esch		
D568,957	S	5/2008	Esch		
7,562,481	B2	7/2009	Esch		
7,814,697	B2	10/2010	Esch		
D636,836	S	4/2011	Fitzpatrick et al.		



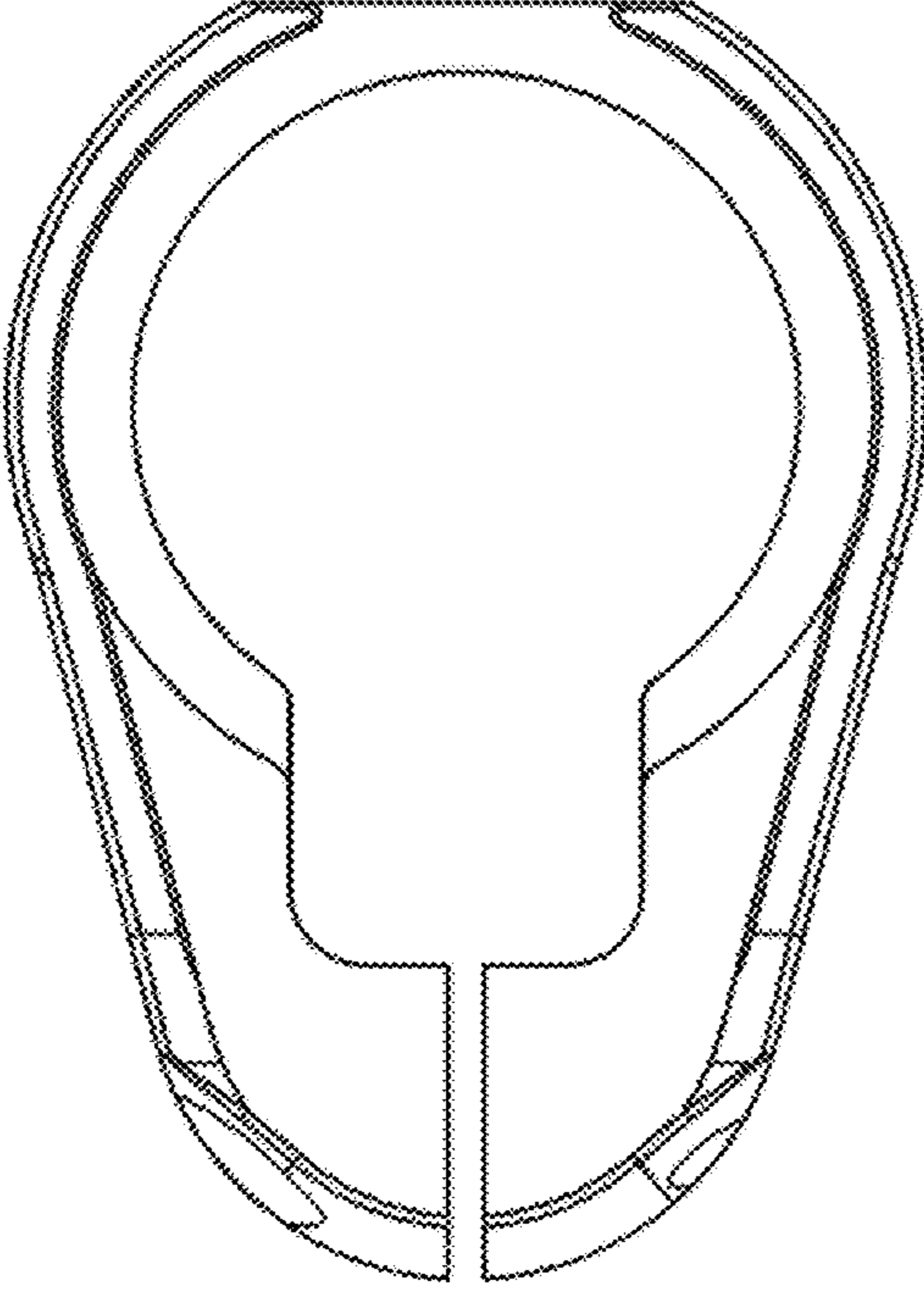


FIG. 1

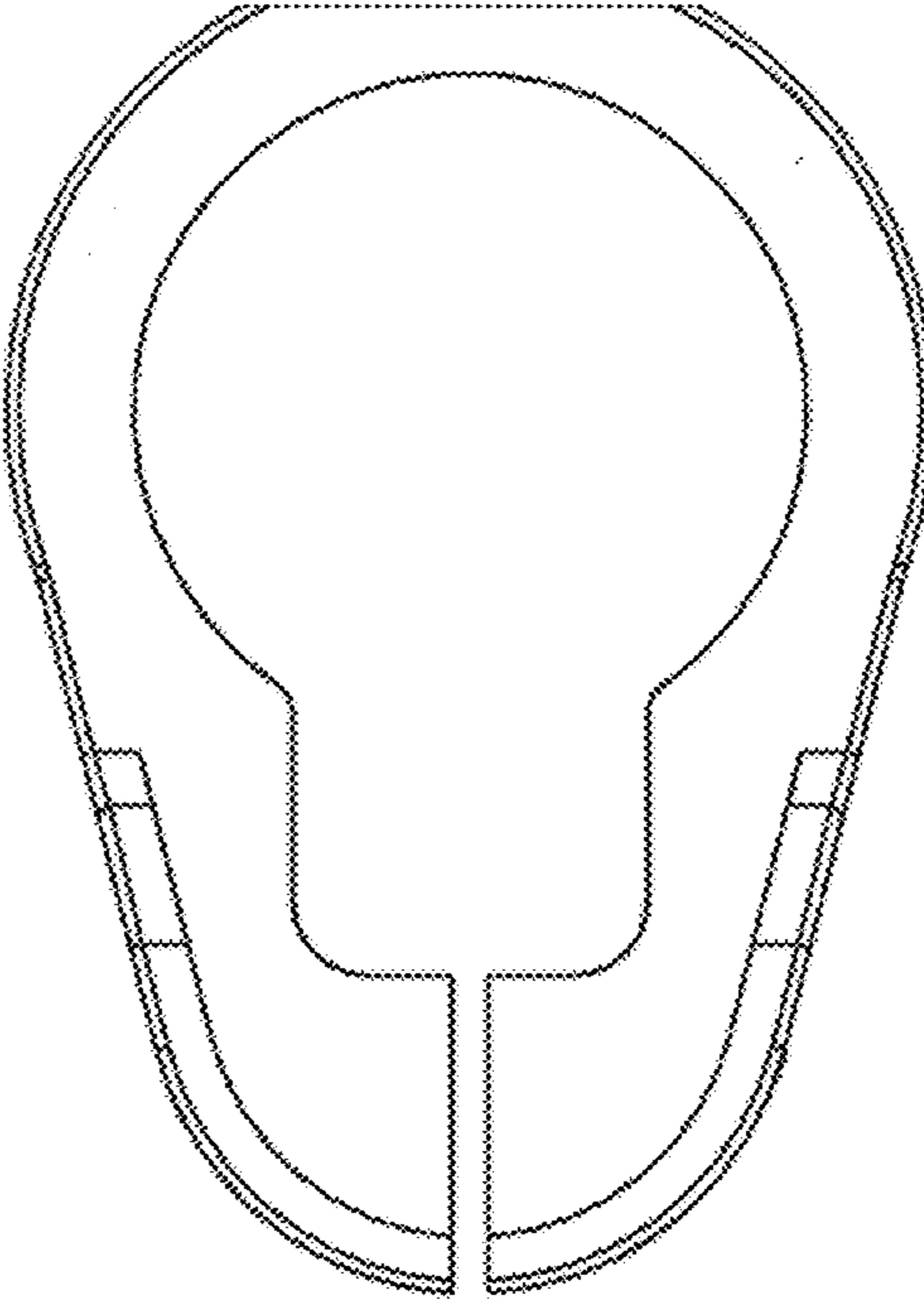


FIG. 2

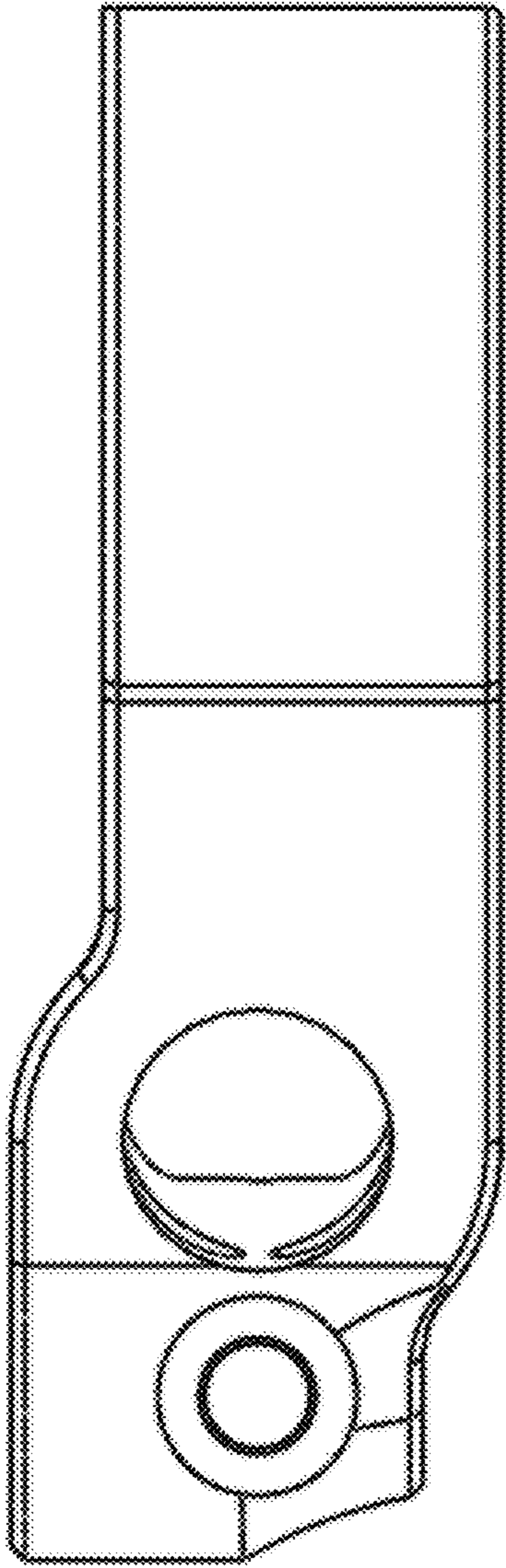


FIG. 3

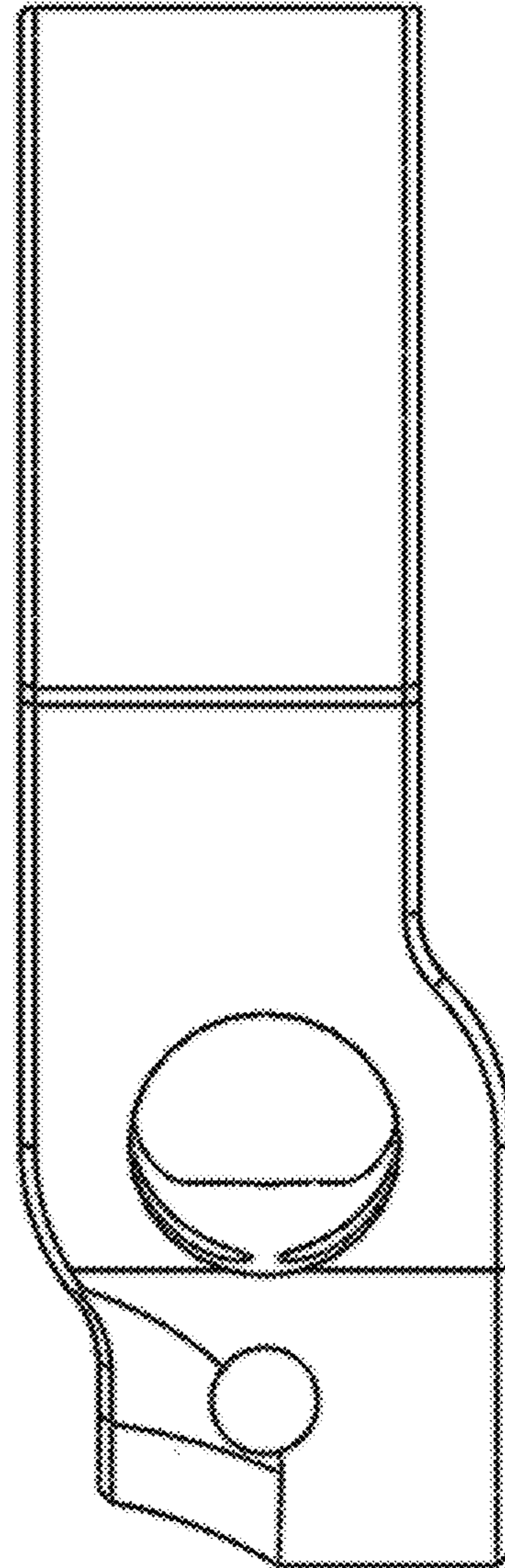


FIG. 4

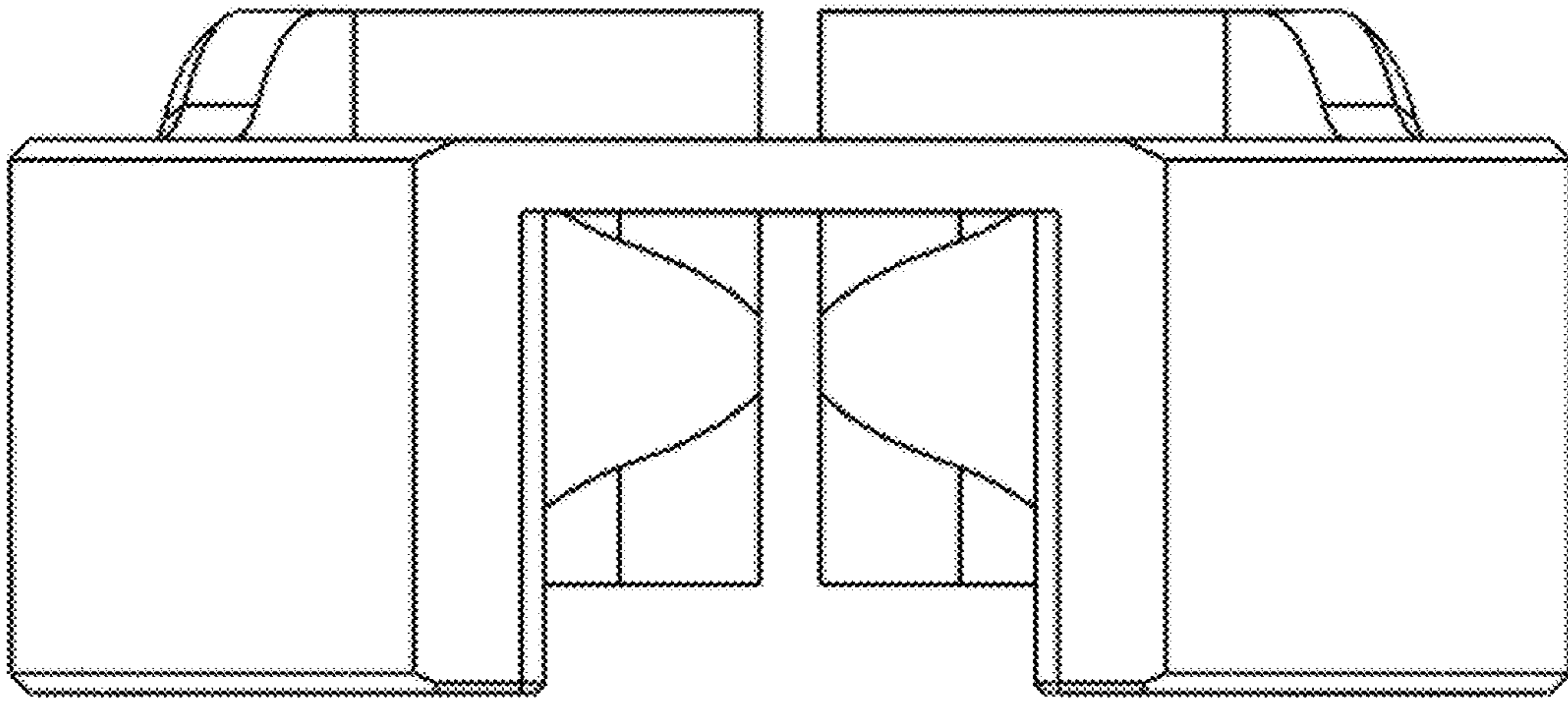


FIG. 5

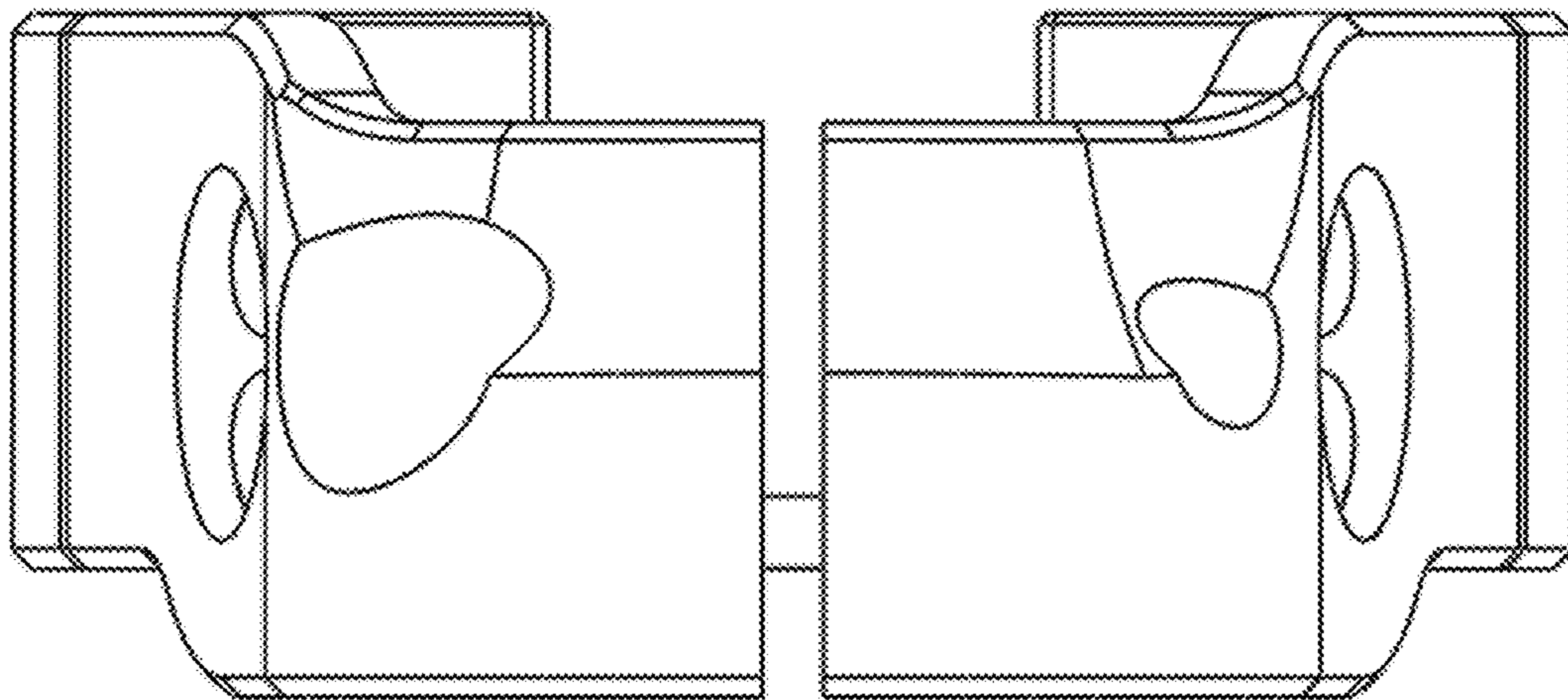


FIG. 6

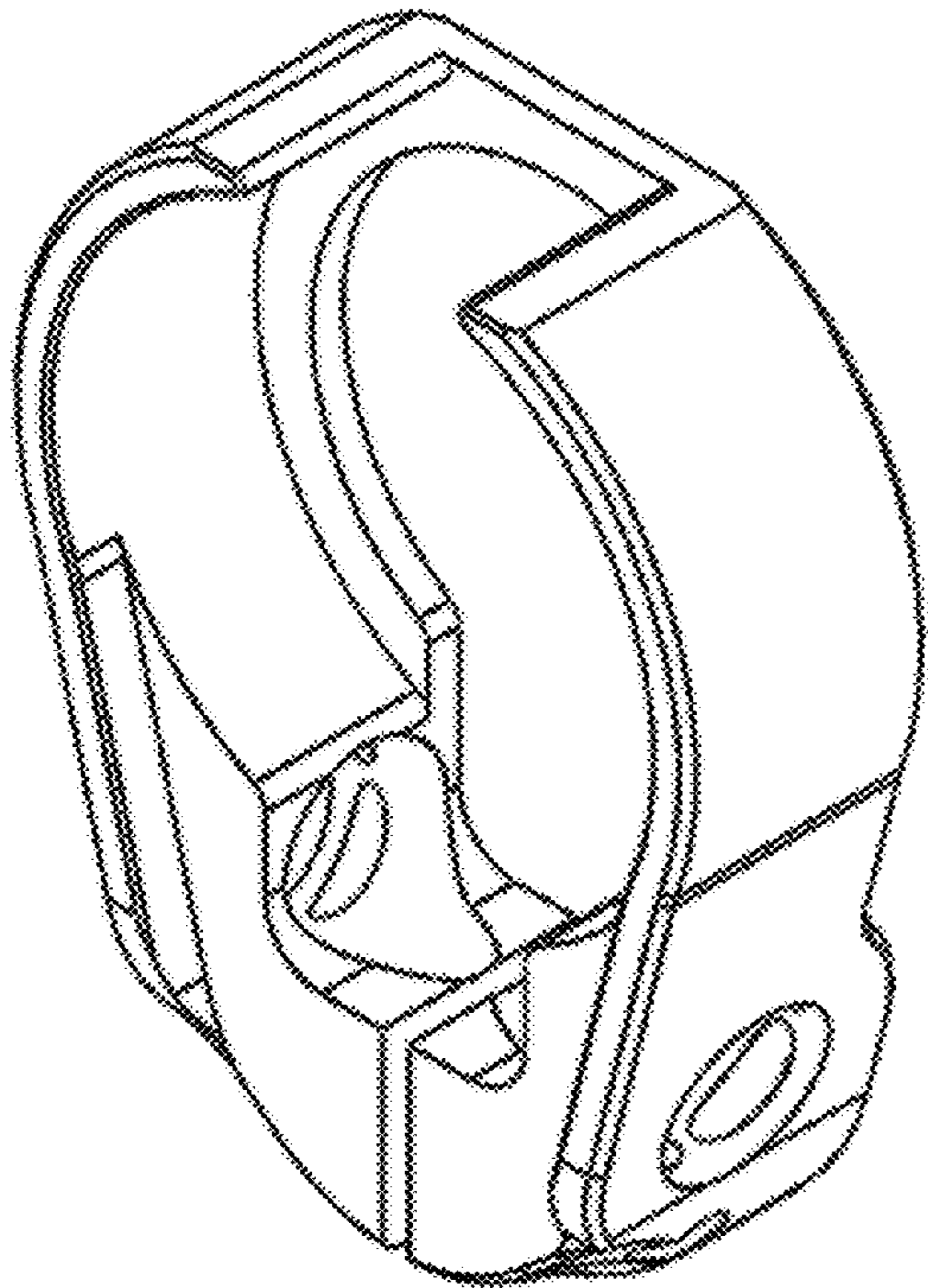


FIG. 7

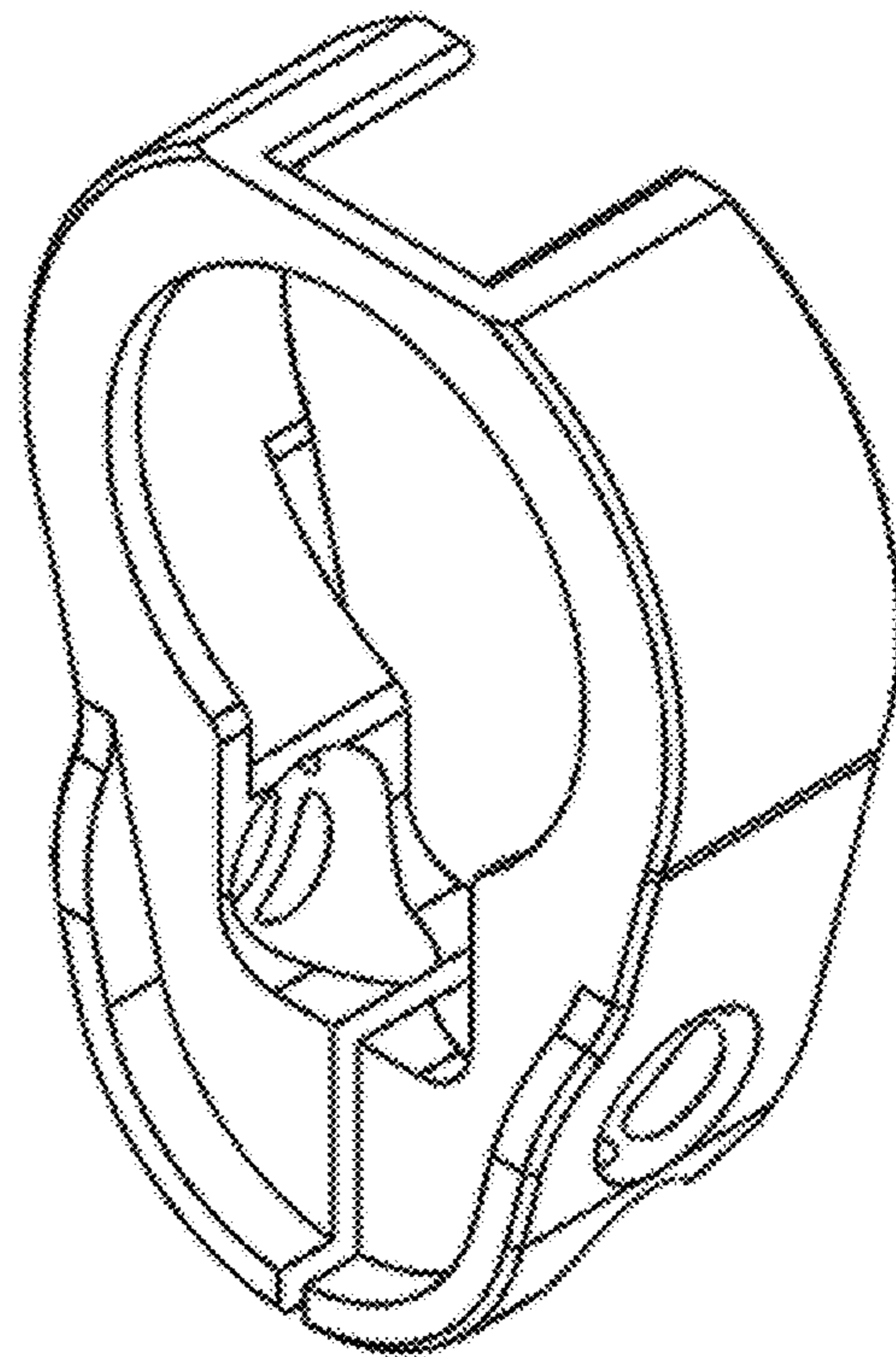


FIG 8

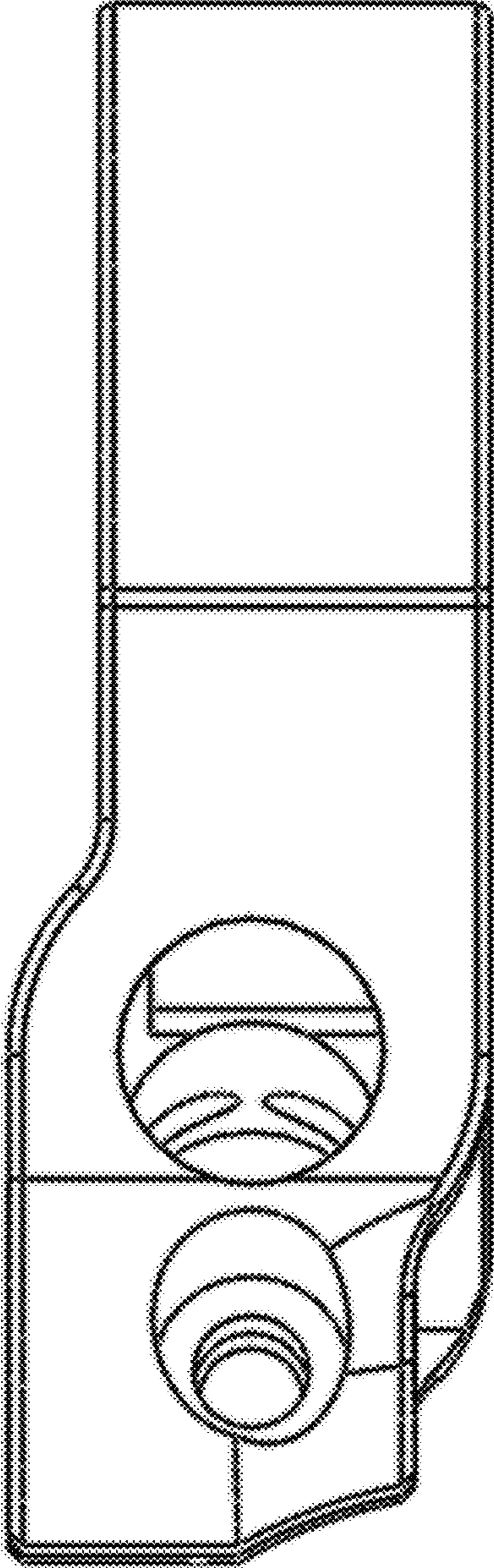


FIG. 9