



US00D722354S

(12) **United States Design Patent**
Rademacher et al.

(10) **Patent No.:** **US D722,354 S**

(45) **Date of Patent:** **** Feb. 10, 2015**

(54) **HIGH ROLLER FLOATATION DEVICE**

(56) **References Cited**

(71) Applicant: **Wibit Sports GmbH**, Bocholt (DE)

U.S. PATENT DOCUMENTS

(72) Inventors: **Romann Rademacher**, Bocholt (DE);
Robert Cirjak, Bocholt (DE)

2,854,014	A *	9/1958	Hasselquist	52/2.19
3,268,925	A *	8/1966	Serra	441/40
5,056,453	A *	10/1991	Wright	114/345
D439,946	S *	4/2001	Gourchounian	D21/835
6,685,520	B1 *	2/2004	Wiggins	441/40
D515,167	S *	2/2006	Capwell	D21/835
D596,261	S *	7/2009	Cirjak et al.	D21/803
7,758,434	B1 *	7/2010	Johnson	472/117

(73) Assignee: **Wibit Sports GmbH**, Bocholt (DE)

(**) Term: **14 Years**

* cited by examiner

(21) Appl. No.: **29/494,414**

Primary Examiner — Zenia Bennett

(22) Filed: **Jun. 20, 2014**

(74) *Attorney, Agent, or Firm* — Roberts Mlotkowski Safran & Cole, P.C.; David S. Safran

(30) **Foreign Application Priority Data**

(57) **CLAIM**

Dec. 20, 2013 (DE) 40 2013 101 291

The ornamental design for a high roller floatation device, as shown and described.

(51) **LOC (10) Cl.** **21-02**

DESCRIPTION

(52) **U.S. Cl.**
USPC **D21/803**

FIG. 1 is a perspective view of a high roller floatation device in accordance with the present invention as seen from above and to one side;

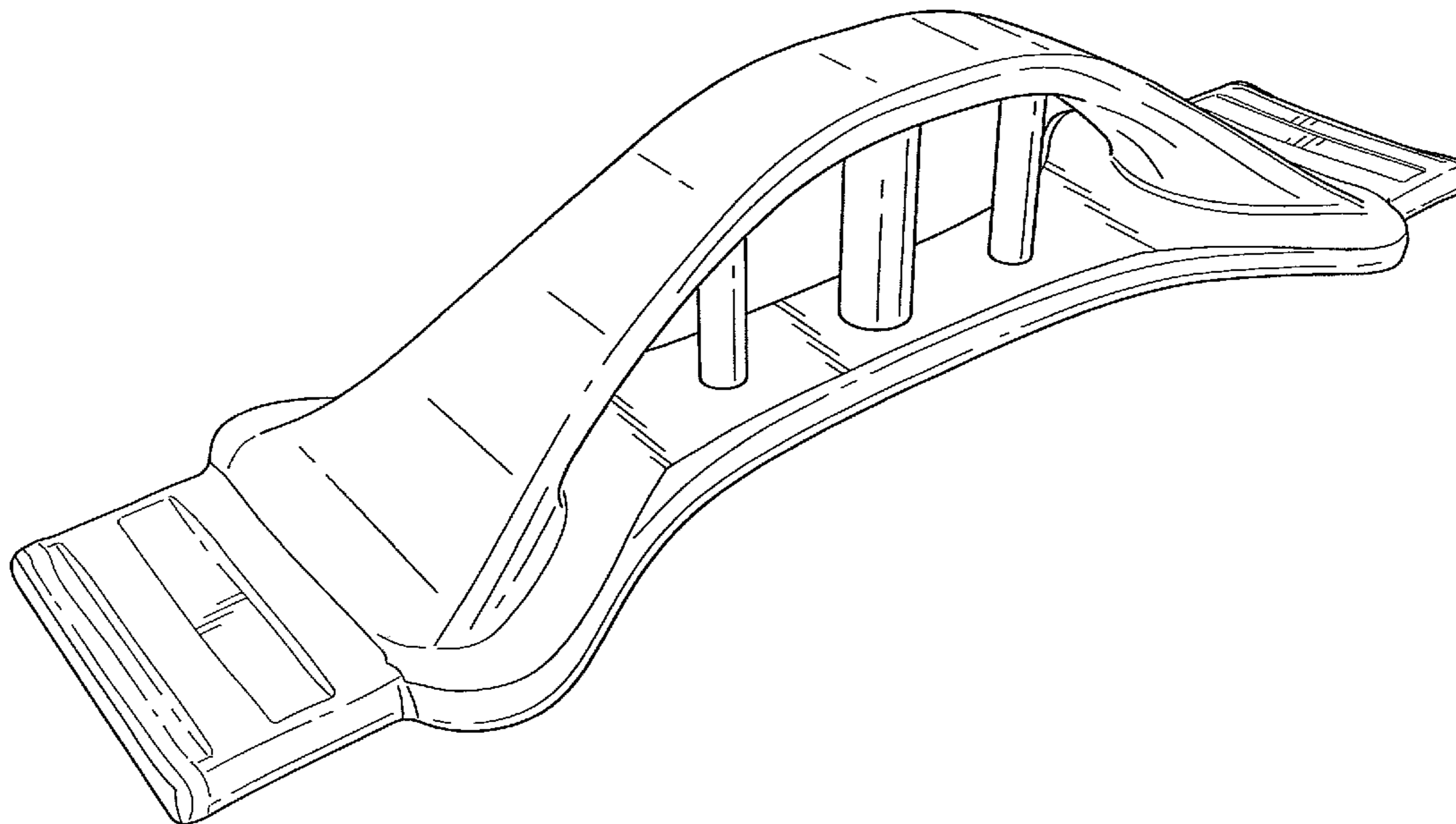
(58) **Field of Classification Search**
CPC B63B 35/76

USPC D21/769-770, 801, 803, 809; 114/253,
114/345-346; 441/35, 66, 74, 40-42,
441/129-132; 472/128-129; D12/5, 6, 316;
D6/392, 595, 596, 601, 604, 605

FIG. 2 is a right elevational view thereof;
FIG. 3 is a left side elevational view thereof;
FIG. 4 is a front end elevational view thereof;
FIG. 5 is a rear end elevational view thereof;
FIG. 6 is a top plan view thereof; and,
FIG. 7 is a bottom plan view thereof.

See application file for complete search history.

1 Claim, 6 Drawing Sheets



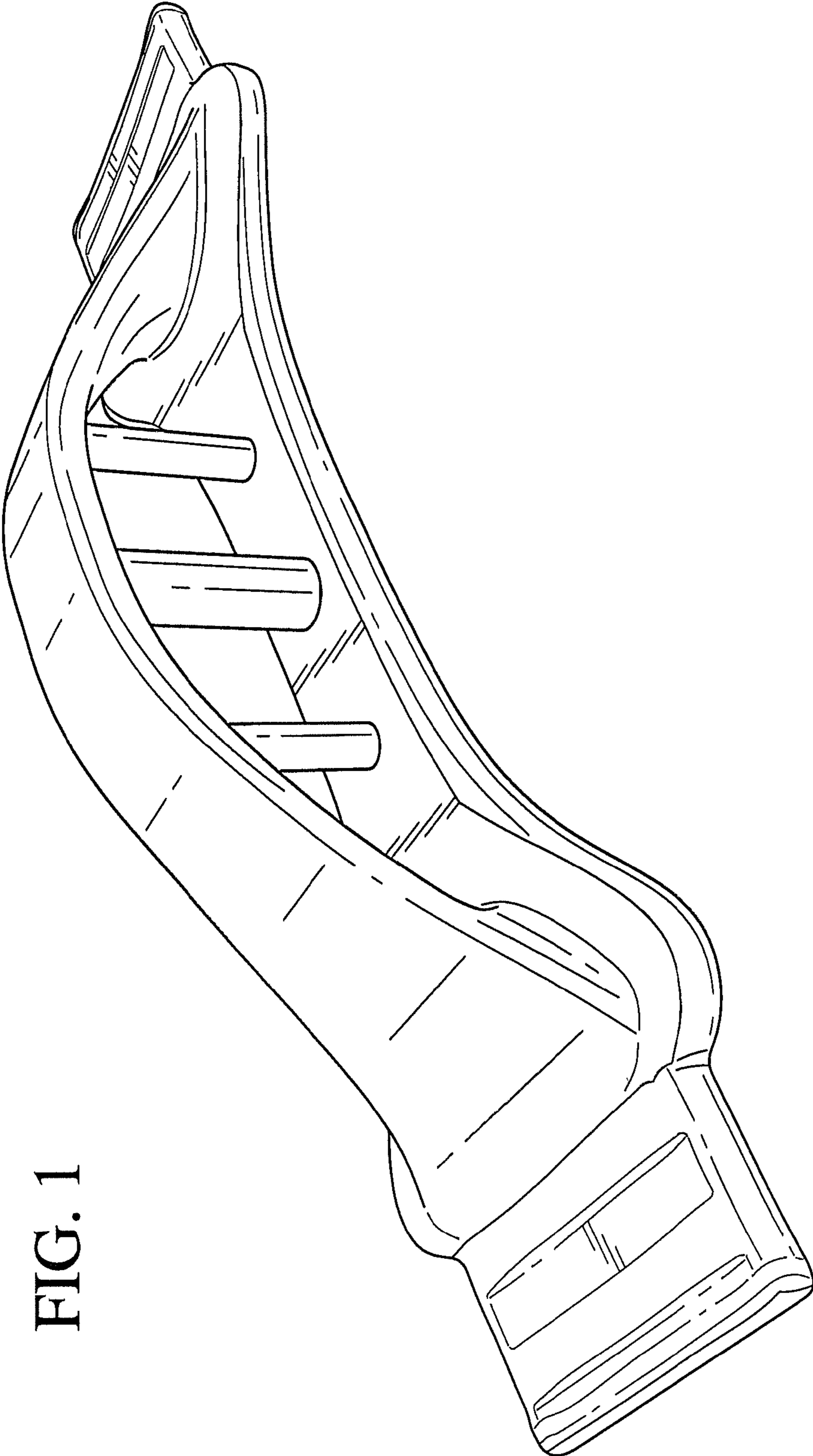


FIG. 1

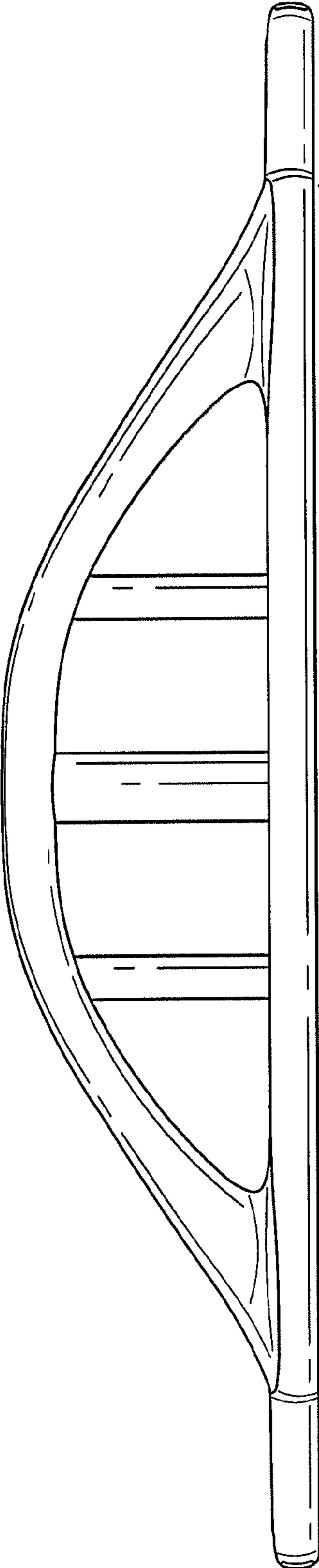


FIG. 2

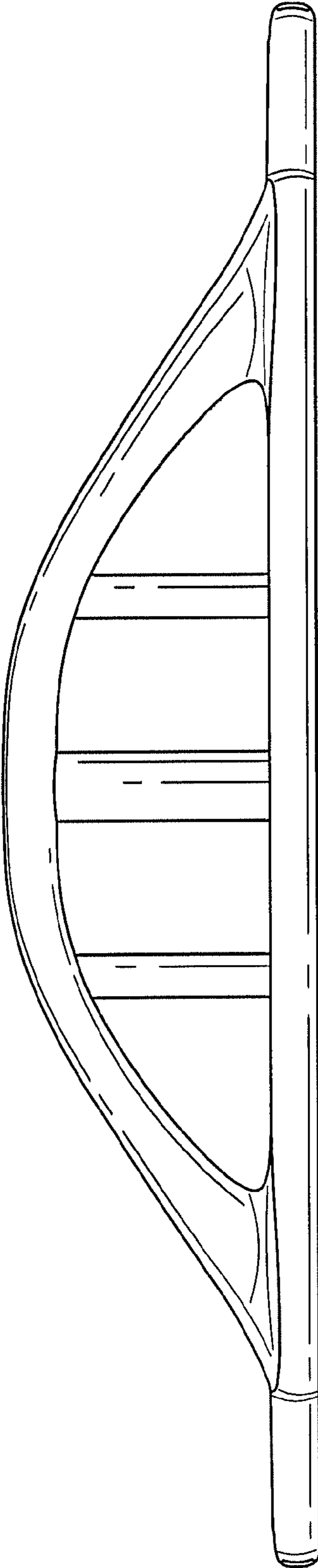


FIG. 3

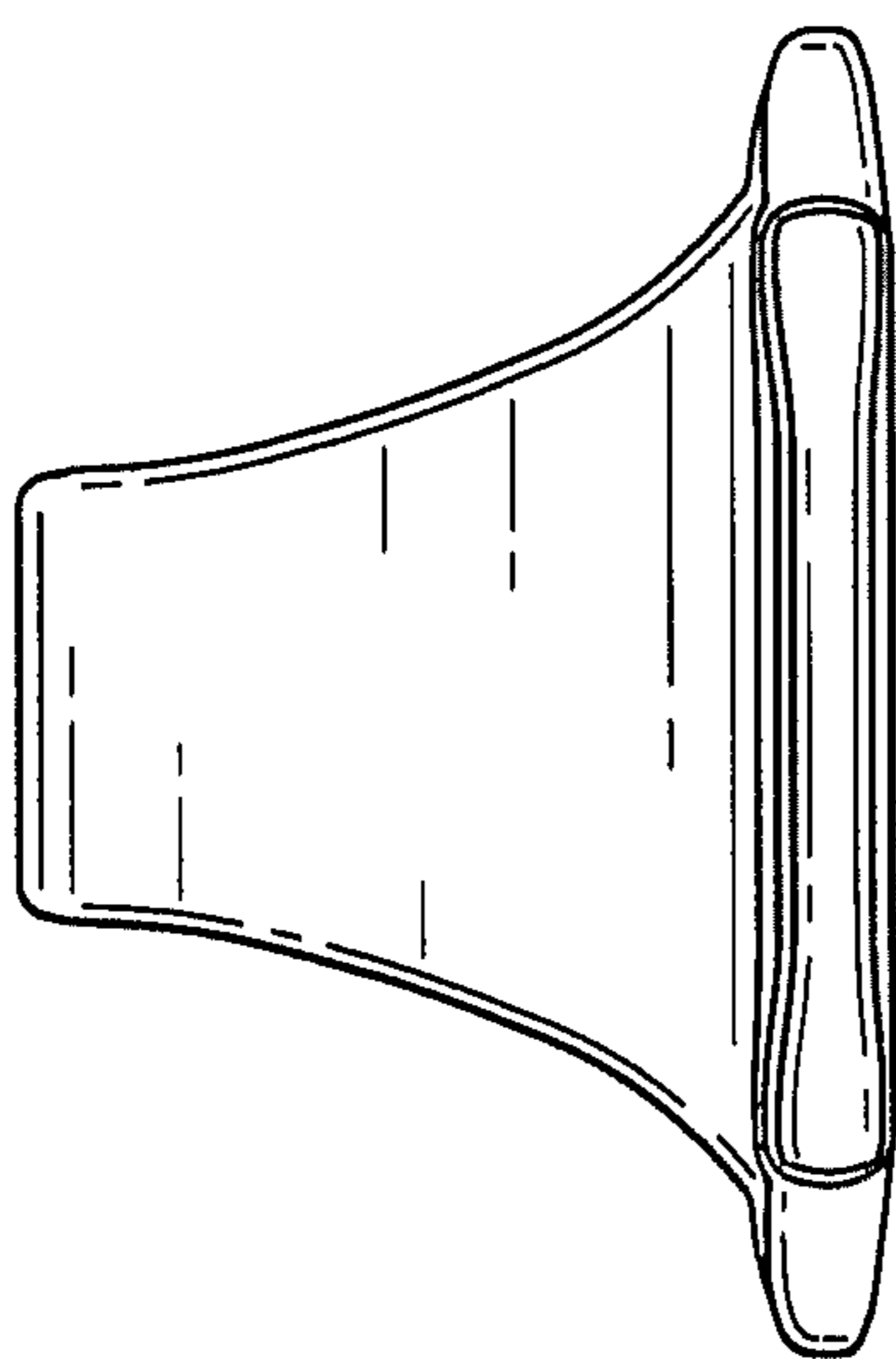


FIG. 5

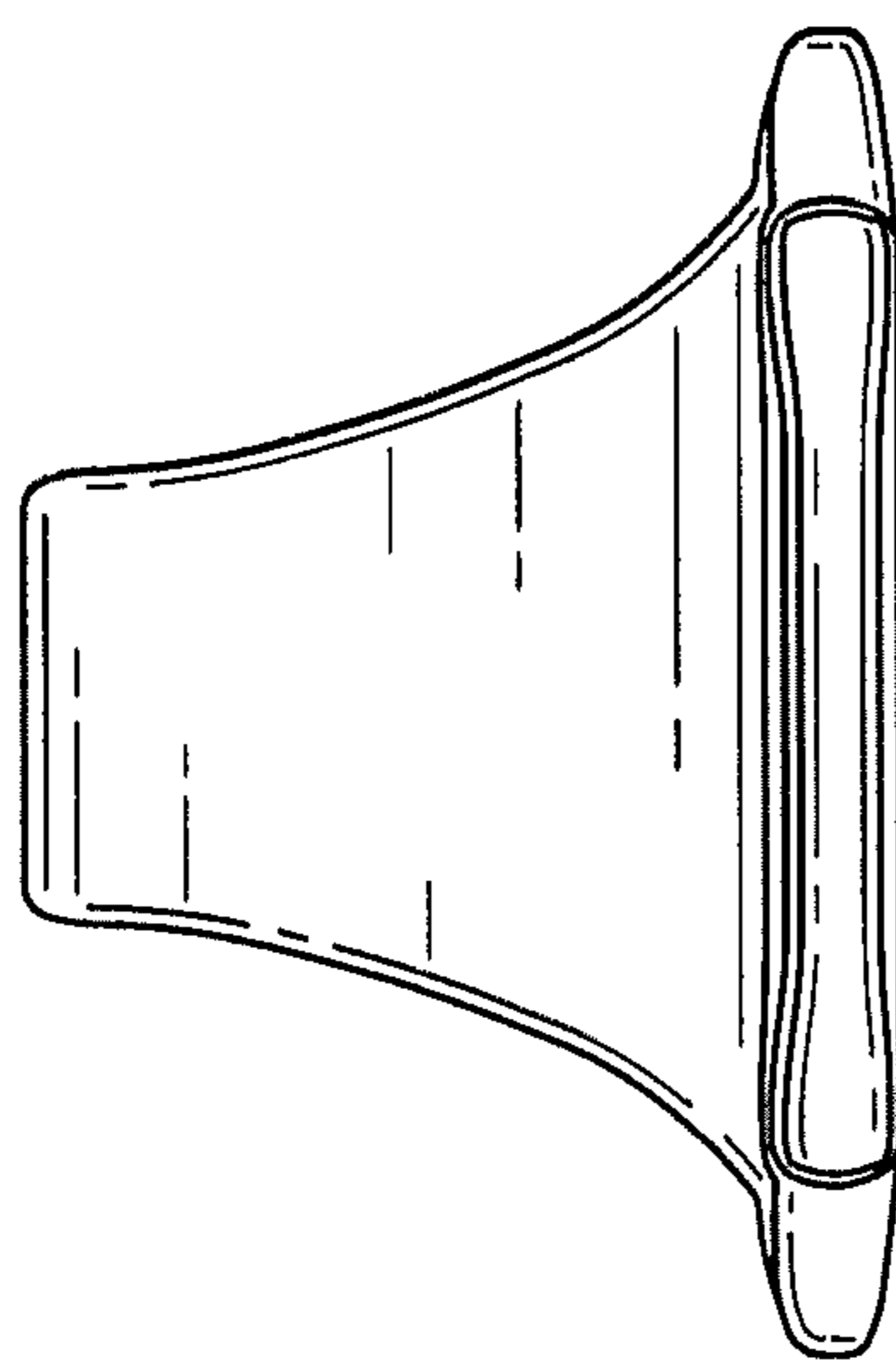


FIG. 4

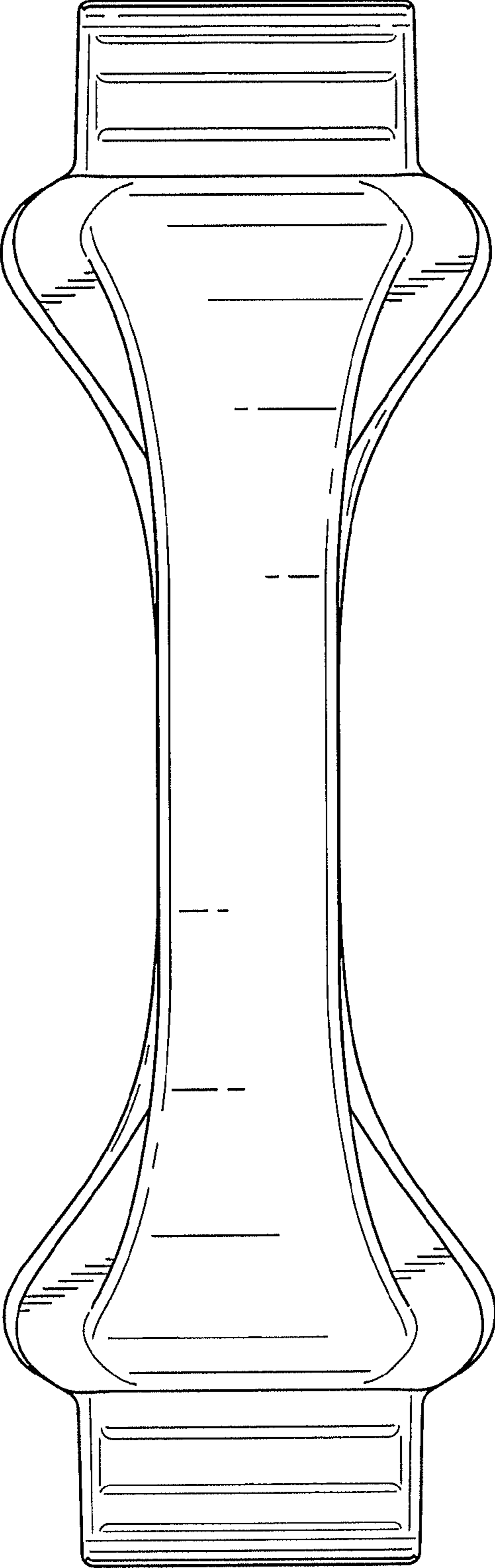


FIG. 6

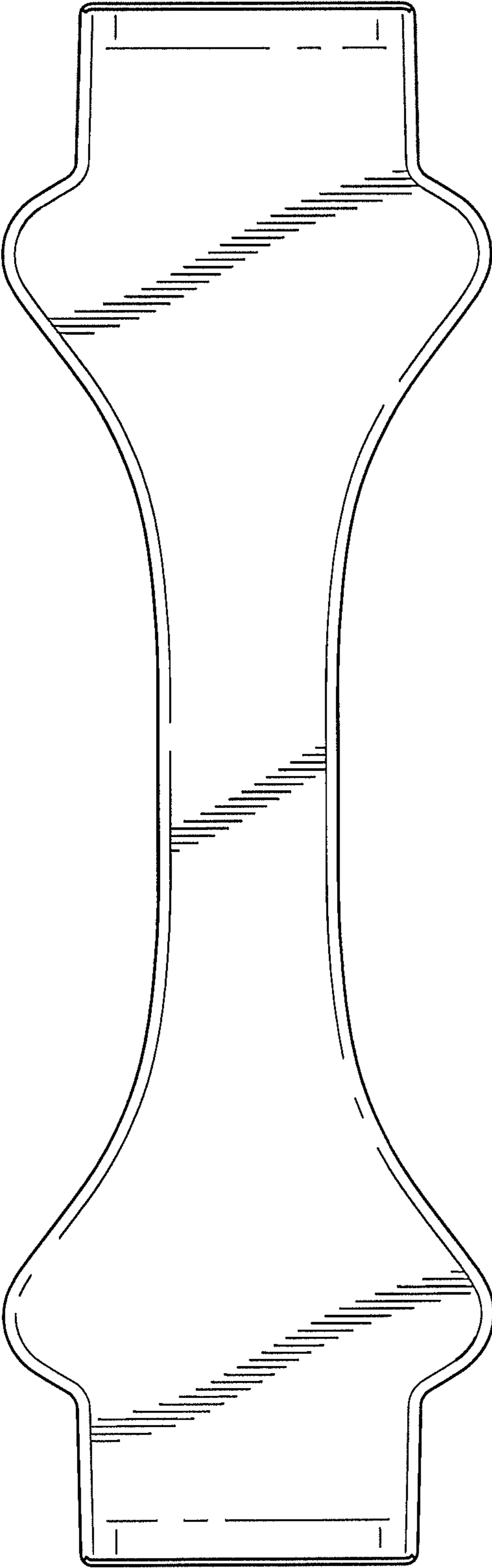


FIG. 7