

US00D722353S

(12) **United States Design Patent**
Cardani et al.

(10) **Patent No.:** **US D722,353 S**

(45) **Date of Patent:** **** Feb. 10, 2015**

(54) **GOLF CLUB HEAD**

(71) Applicant: **NIKE, Inc.**, Beaverton, OR (US)

(72) Inventors: **Jason Cardani**, Portland, OR (US);
Andrew G. V. Oldknow, Portland, OR
(US); **Michael Prichard**, Portland, OR
(US)

(73) Assignee: **NIKE, Inc.**, Beaverton, OR (US)

(**) Term: **14 Years**

(21) Appl. No.: **29/500,966**

(22) Filed: **Aug. 29, 2014**

(51) **LOC (10) Cl.** **21-02**

(52) **U.S. Cl.**
USPC **D21/759**

(58) **Field of Classification Search**
CPC A63B 53/00; A63B 53/04; A63B 53/0466;
A63B 2053/002; A63B 2053/0404; A63B
2053/0433
USPC D21/733, 752, 759; 473/324–331,
473/343–346

See application file for complete search history.

(56) **References Cited**

U.S. PATENT DOCUMENTS

D354,103 S *	1/1995	Allen	D21/752
D392,007 S *	3/1998	Fox	D21/752
D397,387 S *	8/1998	Allen	D21/733
D507,030 S *	7/2005	Burrows	D21/752
D524,394 S	7/2006	Madore et al.		
D524,396 S	7/2006	Madore et al.		
D524,397 S	7/2006	Madore et al.		
D643,897 S *	8/2011	Lee et al.	D21/752
8,298,096 B2	10/2012	Stites et al.		
D676,512 S	2/2013	Oldknow et al.		
D676,909 S *	2/2013	Oldknow et al.	D21/752
D676,914 S *	2/2013	Oldknow et al.	D21/759

D678,964 S *	3/2013	Oldknow et al.	D21/752
D678,965 S *	3/2013	Oldknow et al.	D21/752
D678,969 S	3/2013	Oldknow et al.		
D678,971 S	3/2013	Oldknow et al.		
D678,972 S	3/2013	Oldknow et al.		
D679,353 S	4/2013	Oldknow et al.		
D679,354 S	4/2013	Oldknow et al.		
D697,152 S	1/2014	Harbert et al.		
D707,768 S *	6/2014	Oldknow et al.	D21/752
D707,769 S *	6/2014	Oldknow et al.	D21/752
D707,773 S	6/2014	Oldknow et al.		
D709,572 S	7/2014	Sargent et al.		
D709,575 S	7/2014	Oldknow et al.		

OTHER PUBLICATIONS

Edwin Watts Golf Catalog, Summer 2004; pp. 22, published Summer 2004.
Austad's Golf Catalog, Spring 2008; pp. 8, published Spring 2008.
Edwin Watts Golf Catalog, Apr. 2011; pp. 6 and 14, published Apr. 2011.

(Continued)

Primary Examiner — Mitchell Siegel

(74) *Attorney, Agent, or Firm* — Banner & Witcoff, Ltd.

(57) **CLAIM**

The ornamental design for a golf club head, as shown and described.

DESCRIPTION

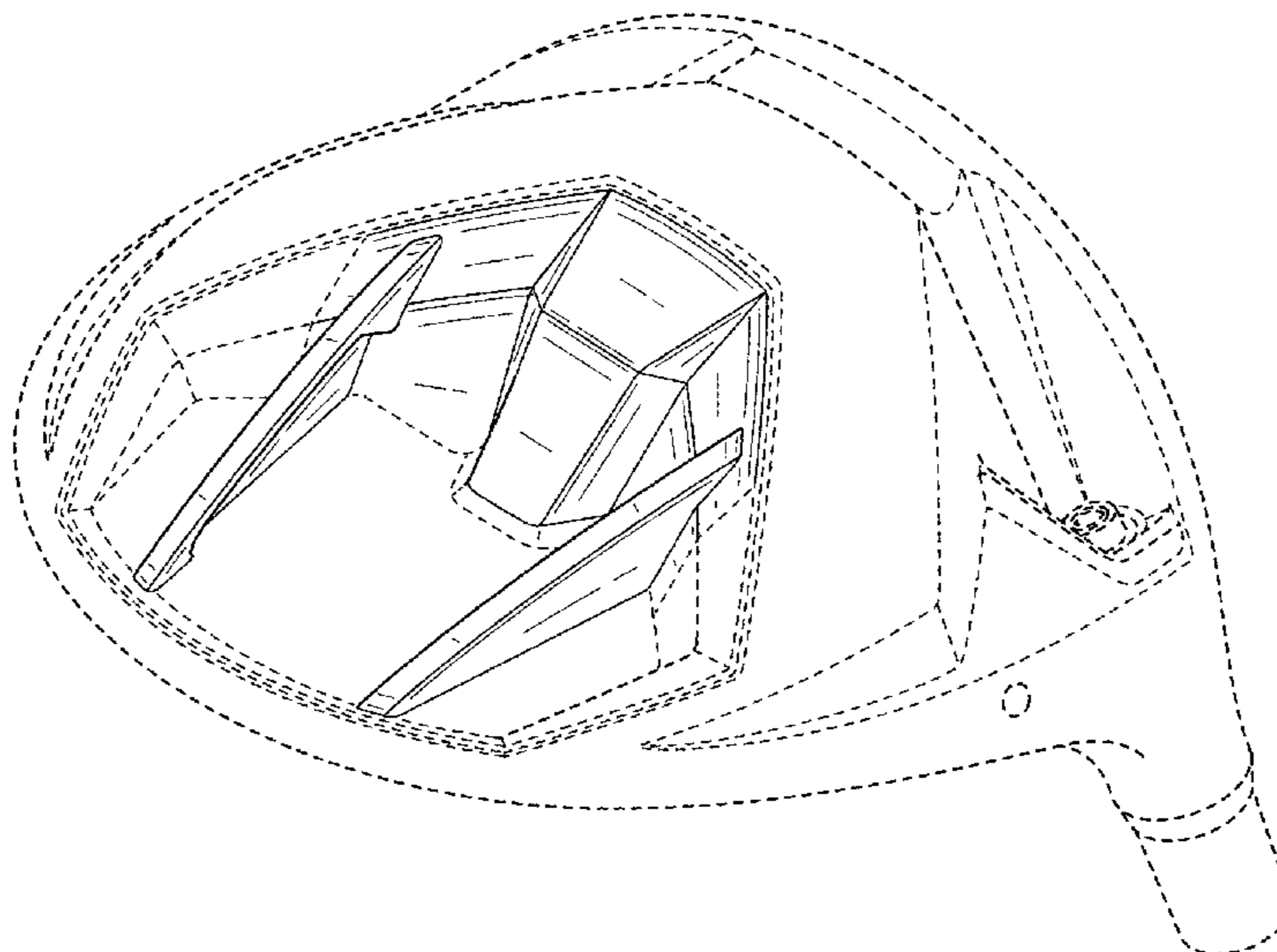
FIG. 1 is a first perspective view of a golf club head showing our new design;

FIG. 2 is a bottom view thereof; and,

FIG. 3 is a second perspective view thereof.

The broken lines immediately adjacent to the shaded area represent unclaimed boundaries of the design. The broken lines showing the remainder of the golf club head are for environmental purposes only and form no part of the claimed design.

1 Claim, 3 Drawing Sheets



(56)

References Cited

OTHER PUBLICATIONS

TaylorMade Rocketballz Mens Iron Sets Graphite by Taylormade-Adidas USA [online]. [retrieved Sep. 16, 2014]. Retrieved from the Internet <URL: <http://www.edwinwattsgolf.com/TaylorMade-Rocketballz-Mens-Iron-Sets-Graphite/10035351/Product>>.

Callaway X2 Hot Pro Mens Iron Sets Steel by Callaway Golf Company USA [online]. [retrieved Sep. 16, 2014]. Retrieved from the Internet <URL: <http://www.edwinwattsgolf.com/Callaway-X2-Hot-Pro-Mens-Iron-Sets-Steel/10064070/Product>>.

Cleveland 588 MT Iron Individual Graphite by Cleveland Golf USA [online]. [retrieved Sep. 16, 2014]. Retrieved from the Internet <URL: <http://www.edwinwattsgolf.com/Cleveland-588-MT-Iron-Individual-Graphite/10058789/Product>>.

Adams Pro Hybrid—Graphite by Adams Golf USA [online]. [retrieved Sep. 16, 2014]. Retrieved from the Internet <URL: <http://www.edwinwattsgolf.com/Adams-Pro-Hybrid---Graphite/10111590/Product>>.

* cited by examiner

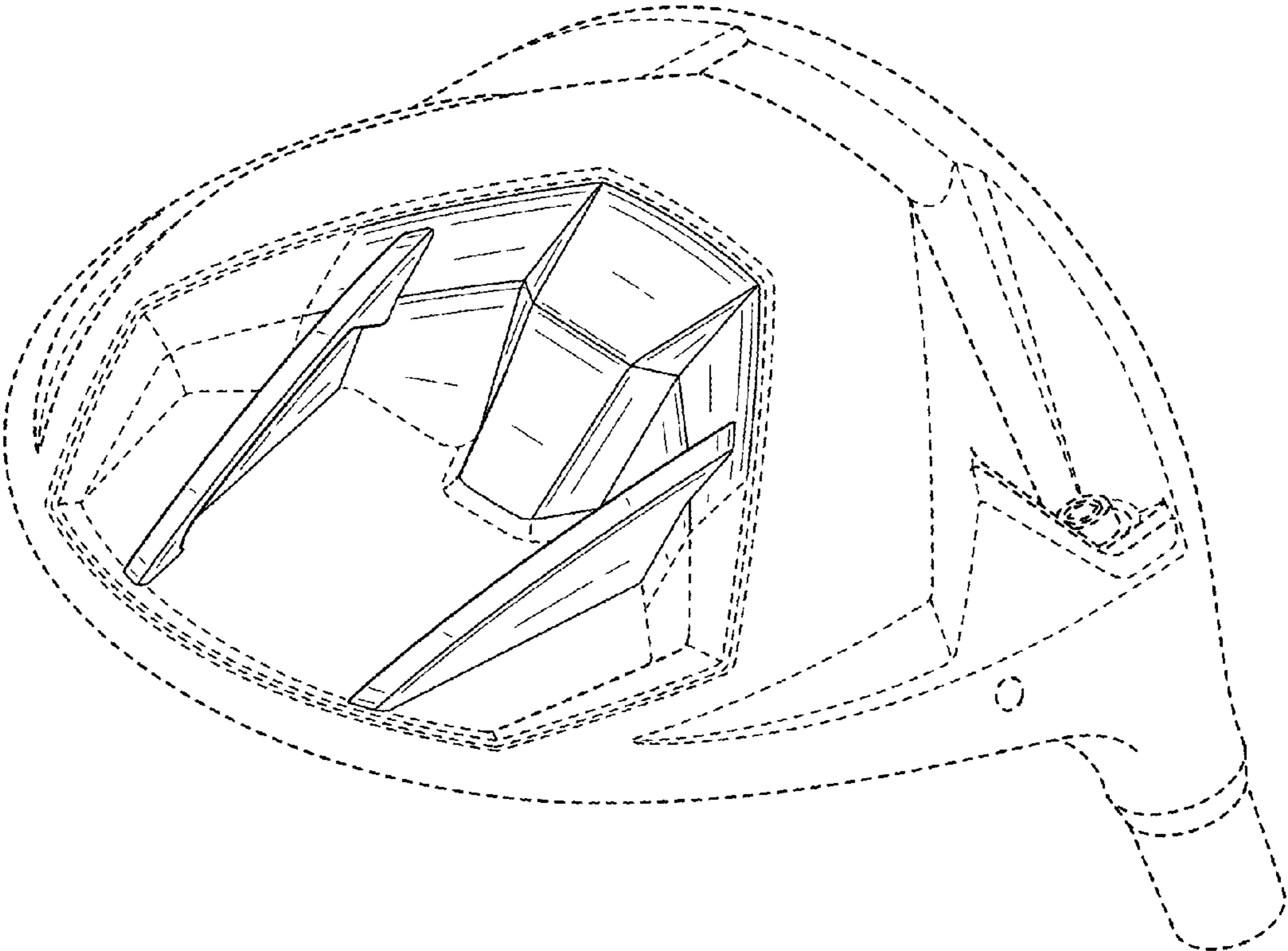


FIG. 1

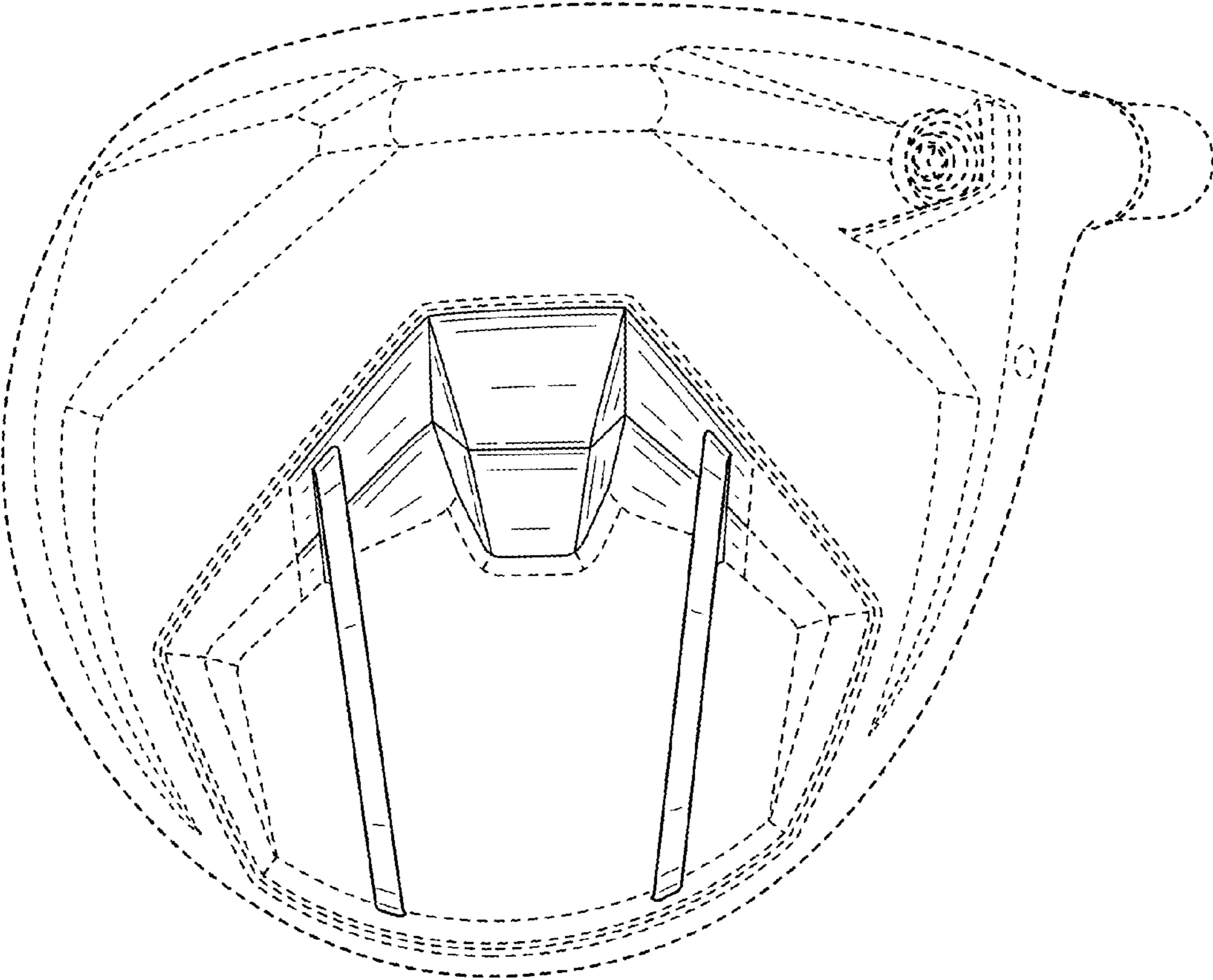


FIG. 2

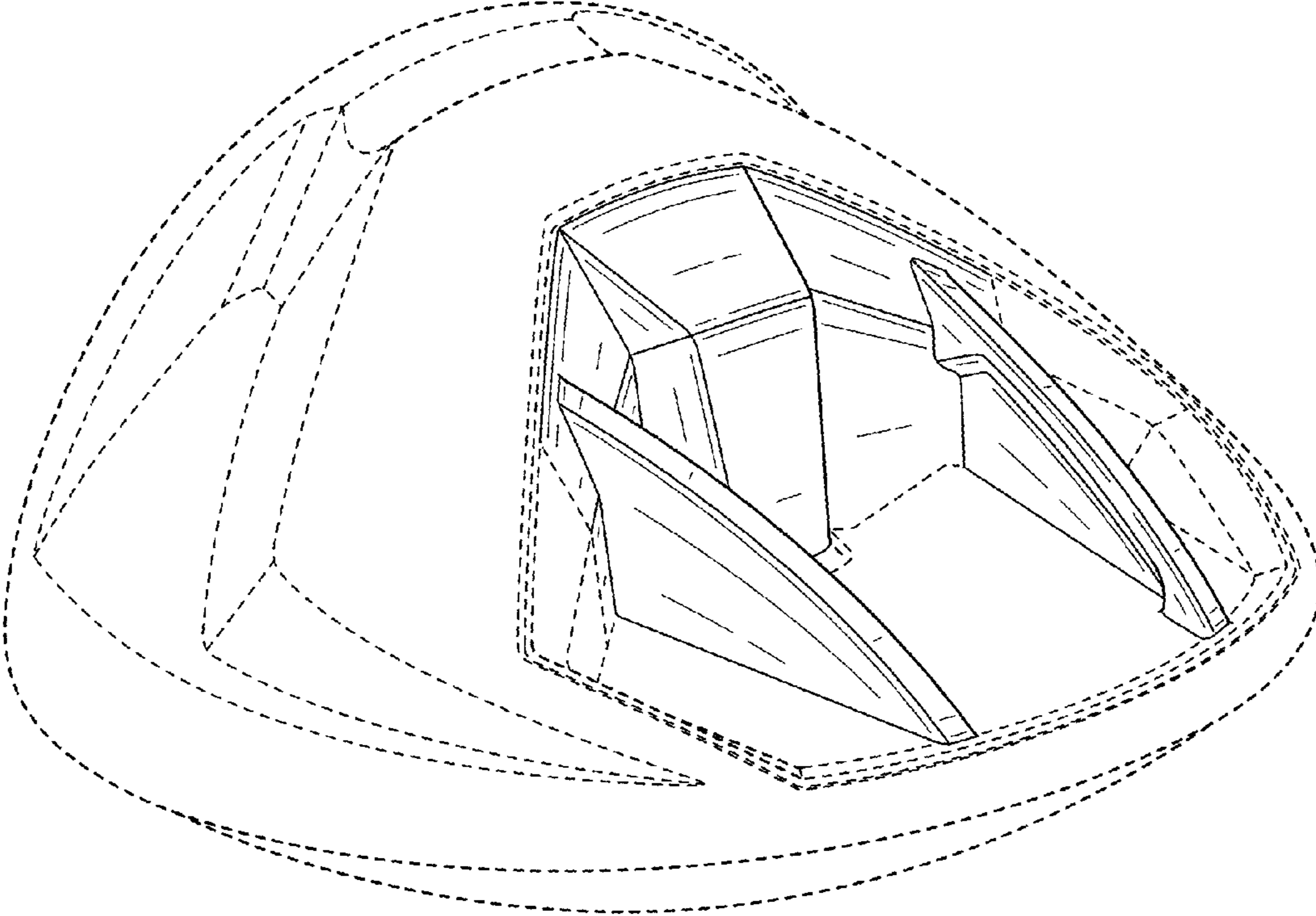


FIG. 3