



US00D722352S

(12) **United States Design Patent**
Nicolette et al.

(10) **Patent No.:** **US D722,352 S**
(45) **Date of Patent:** **** Feb. 10, 2015**

(54) **GOLF CLUB HEAD**

Primary Examiner — Mitchell Siegel

(71) Applicant: **Slick Golf, LLC**, Scottsdale, AZ (US)

(72) Inventors: **Michael R. Nicolette**, Scottsdale, AZ (US); **Bradley D. Schweigert**, Anthem, AZ (US)

(73) Assignee: **Parsons Xtreme Golf, LLC**, Scottsdale, AZ (US)

(**) Term: **14 Years**

(21) Appl. No.: **29/501,006**

(22) Filed: **Aug. 29, 2014**

(51) **LOC (10) Cl.** **21-02**

(52) **U.S. Cl.**
USPC **D21/747**

(58) **Field of Classification Search**
CPC A63B 53/00; A63B 53/04; A63B 53/047; A63B 53/0475
USPC D21/747-751, 759; 473/324-331, 350
See application file for complete search history.

(56) **References Cited**

U.S. PATENT DOCUMENTS

D294,617 S *	3/1988	Perkins	D21/749
5,158,296 A *	10/1992	Lee	473/327
D336,672 S *	6/1993	Gorman	D21/749
5,419,560 A	5/1995	Bamber		
D362,884 S	10/1995	Blough et al.		
D362,885 S	10/1995	Blough et al.		
D362,887 S	10/1995	Blough et al.		
D370,514 S	6/1996	Blough et al.		
5,540,437 A	7/1996	Bamber		
5,669,830 A	9/1997	Bamber		
5,766,091 A	6/1998	Humphrey et al.		
5,827,132 A	10/1998	Bamber		
D408,485 S *	4/1999	Takahashi et al.	D21/747

(Continued)

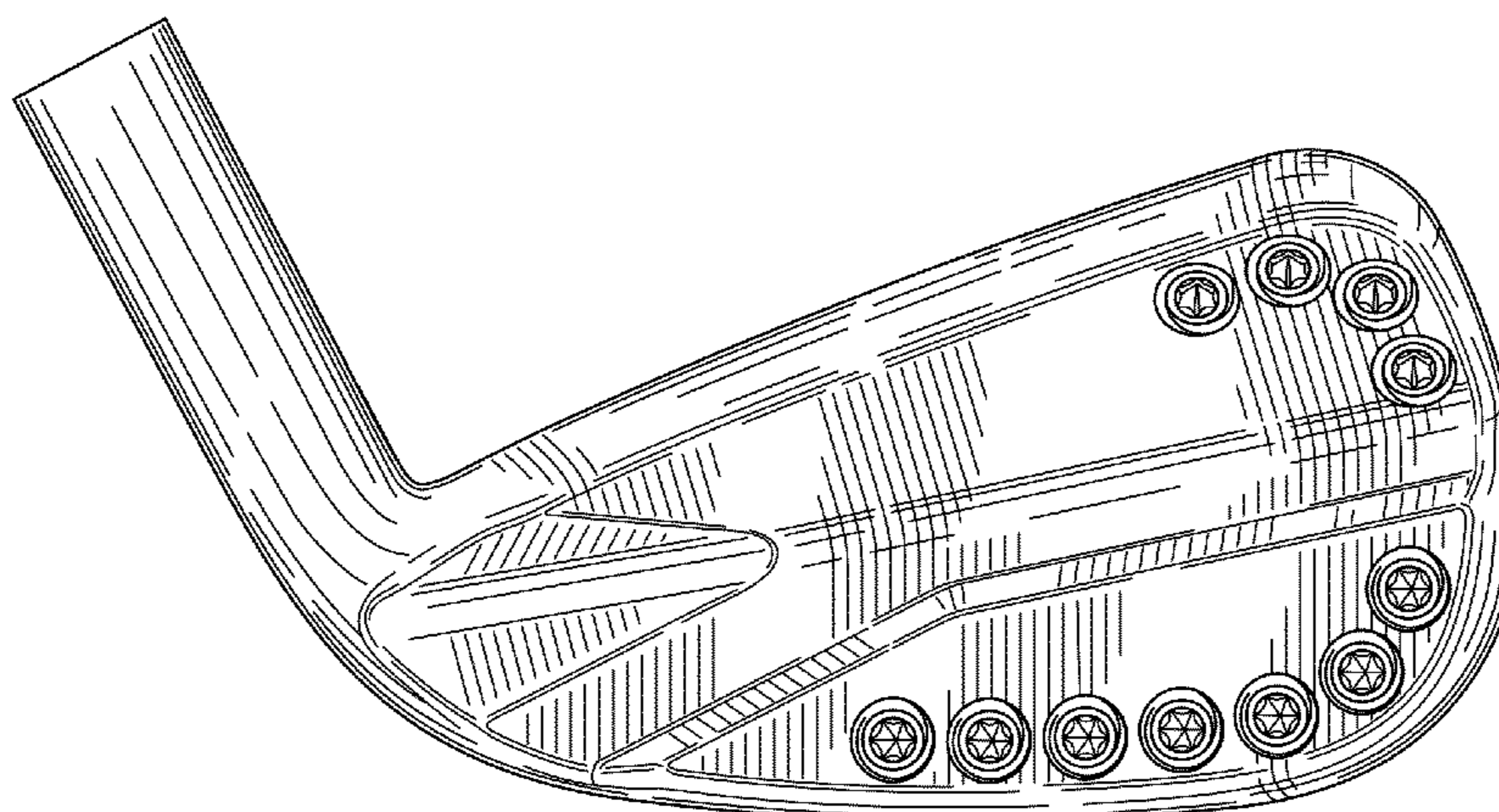
(57) **CLAIM**

The ornamental design for a golf club head, as shown and described.

DESCRIPTION

FIG. 1 is a top perspective view of a golf club head;
 FIG. 2 is a bottom perspective view of the golf club head of FIG. 1;
 FIG. 3 is a front elevational view of the golf club head of FIG. 1;
 FIG. 4 is a rear elevational view of the golf club head of FIG. 1;
 FIG. 5 is a top view of the golf club head of FIG. 1;
 FIG. 6 is a bottom view of the golf club head of FIG. 1;
 FIG. 7 is a right side view of the golf club head of FIG. 1;
 FIG. 8 is a left side view of the golf club head of FIG. 1;
 FIG. 9 is top perspective view of another golf club head;
 FIG. 10 is a bottom perspective view of the golf club head of FIG. 9;
 FIG. 11 is a front elevational view of the golf club head of FIG. 9;
 FIG. 12 is a rear elevational view of the golf club head of FIG. 9;
 FIG. 13 is a top view of the golf club head of FIG. 9;
 FIG. 14 is a bottom view of the golf club head of FIG. 9;
 FIG. 15 is a right side view of the golf club head of FIG. 9;
 and,
 FIG. 16 is a left side view of the golf club head of FIG. 9.
 The broken lines connecting the solid lines represent the bounds of the claim. The remaining broken lines illustrate the environment. None of the broken lines forms part of the claimed design.

1 Claim, 8 Drawing Sheets



(56)

References Cited

U.S. PATENT DOCUMENTS

D421,080 S	2/2000	Chen		D581,000 S	11/2008	Nicolette et al.
D426,276 S *	6/2000	Besnard et al.	D21/747	D581,004 S	11/2008	Schweigert et al.
6,077,171 A *	6/2000	Yoneyama	473/291	D584,370 S	1/2009	Cleveland et al.
6,290,609 B1	9/2001	Takeda		D596,256 S	7/2009	Schweigert et al.
D458,328 S	6/2002	Solheim et al.		D596,257 S	7/2009	Jertson et al.
D469,833 S	2/2003	Roberts et al.		D596,258 S	7/2009	Jertson et al.
D473,605 S	4/2003	Petersen et al.		D596,688 S	7/2009	Schweigert et al.
D475,107 S	5/2003	Madore		D597,158 S	7/2009	Schweigert et al.
6,695,714 B1	2/2004	Bliss et al.		D601,216 S	9/2009	Jertson et al.
6,702,693 B2	3/2004	Bamber		7,588,502 B2	9/2009	Nishino
D492,376 S	6/2004	Nicolette et al.		7,601,075 B2	10/2009	Cole et al.
D494,240 S	8/2004	Schweigert		D604,783 S	11/2009	Nicolette et al.
D494,648 S	8/2004	Schweigert et al.		D618,293 S *	6/2010	Foster et al.
D497,963 S	11/2004	Toulon et al.		7,736,243 B2	6/2010	Sanchez et al.
D500,350 S	12/2004	Schweigert et al.		D621,893 S	8/2010	Nicolette et al.
D500,351 S	12/2004	Schweigert et al.		D621,894 S	8/2010	Schweigert
D502,237 S	2/2005	Schweigert et al.		D621,895 S	8/2010	Schweigert et al.
D502,975 S	3/2005	Schweigert et al.		D627,409 S	11/2010	Schweigert et al.
D503,204 S	3/2005	Nicolette et al.		D627,410 S	11/2010	Nicolette et al.
D504,925 S	5/2005	Schweigert et al.		D635,627 S	4/2011	Nicolette
D505,171 S	5/2005	Schweigert et al.		7,938,738 B2	5/2011	Roach
D507,320 S	7/2005	Roberts et al.		D642,642 S	8/2011	Jertson et al.
D507,614 S	7/2005	Schweigert et al.		D643,491 S	8/2011	Stokke et al.
D508,099 S	8/2005	Schweigert et al.		D643,492 S	8/2011	Nicolette et al.
D508,545 S	8/2005	Roberts et al.		D643,896 S	8/2011	Jertson et al.
D514,183 S	1/2006	Schweigert et al.		D647,582 S	10/2011	Nicolette et al.
D516,650 S	3/2006	Wolfe et al.		D649,211 S	11/2011	Jertson et al.
D523,501 S	6/2006	Nicolette et al.		8,062,150 B2	11/2011	Gilbert et al.
D523,917 S	6/2006	Wolfe et al.		D651,268 S	12/2011	Nicolette et al.
D530,759 S	10/2006	Nicolette et al.		8,092,319 B1	1/2012	Cackett et al.
D530,760 S	10/2006	Schweigert et al.		8,105,180 B1	1/2012	Cackett et al.
7,121,956 B2	10/2006	Lo		8,142,307 B2	3/2012	Sanchez et al.
7,128,663 B2	10/2006	Bamber		8,221,262 B1	7/2012	Cackett et al.
D532,849 S	11/2006	Nicolette et al.		D670,775 S	11/2012	Jertson et al.
D534,228 S	12/2006	Nicolette et al.		D672,417 S	12/2012	Jertson et al.
D534,595 S *	1/2007	Hasebe	D21/747	D673,633 S	1/2013	Jertson et al.
D534,597 S	1/2007	Nicolette et al.		D673,634 S	1/2013	Jertson et al.
D536,759 S	2/2007	Schweigert et al.		8,376,878 B2	2/2013	Bennett et al.
D537,494 S	2/2007	Jertson et al.		D680,603 S	4/2013	Nicolette et al.
D538,366 S	3/2007	Nicolette et al.		D681,142 S	4/2013	Fossum et al.
D539,864 S	4/2007	Nicolette et al.		D681,143 S	4/2013	Nicolette et al.
D540,898 S	4/2007	Solheim et al.		8,506,420 B2	8/2013	Hocknell et al.
D541,360 S	4/2007	Schweigert et al.		8,574,094 B2	11/2013	Nicolette et al.
7,207,900 B2	4/2007	Nicolette et al.		8,657,700 B2	2/2014	Nicolette et al.
D543,601 S *	5/2007	Kawami	D21/759	8,690,710 B2	4/2014	Nicolette et al.
D544,056 S	6/2007	Nicolette et al.		8,753,230 B2	6/2014	Stokke et al.
D547,410 S	7/2007	Nicolette et al.		D708,688 S	7/2014	Nicolette et al.
D555,219 S *	11/2007	Lin	D21/759	2002/0107087 A1	8/2002	Fagot
D561,855 S	2/2008	Schweigert et al.		2004/0204263 A1	10/2004	Fagot et al.
D562,925 S	2/2008	Schweigert et al.		2005/0009632 A1	1/2005	Schweigert et al.
7,351,164 B2	4/2008	Schweigert et al.		2005/0014573 A1	1/2005	Lee
D570,435 S	6/2008	Sanchez et al.		2005/0096148 A1	5/2005	Noble et al.
D570,936 S	6/2008	Schweigert et al.		2005/0277485 A1	12/2005	Hou et al.
D570,942 S	6/2008	Chen et al.		2007/0032308 A1	2/2007	Fagot et al.
D571,422 S	6/2008	Schweigert et al.		2007/0225084 A1	9/2007	Schweigert et al.
D571,425 S	6/2008	Chen et al.		2008/0058113 A1	3/2008	Nicolette et al.
D571,427 S	6/2008	Schweigert et al.		2008/0300065 A1	12/2008	Schweigert
D571,881 S	6/2008	Nicolette et al.		2009/0029790 A1	1/2009	Nicolette et al.
D572,326 S	7/2008	Schweigert et al.		2010/0130306 A1	5/2010	Schweigert
D572,329 S	7/2008	Nicolette et al.		2010/0178999 A1	7/2010	Nicolette et al.
D573,219 S	7/2008	Schweigert et al.		2011/0111883 A1	5/2011	Cackett
7,396,299 B2	7/2008	Nicolette et al.		2011/0165963 A1	7/2011	Cackett et al.
7,413,518 B2	8/2008	Cole et al.		2013/0137532 A1	5/2013	Deshmukh et al.
D577,783 S	9/2008	Schweigert et al.		2013/0288823 A1	10/2013	Hebreo
D578,590 S	10/2008	Schweigert et al.		2014/0080621 A1	3/2014	Nicolette et al.
				2014/0128175 A1	5/2014	Jertson et al.

* cited by examiner

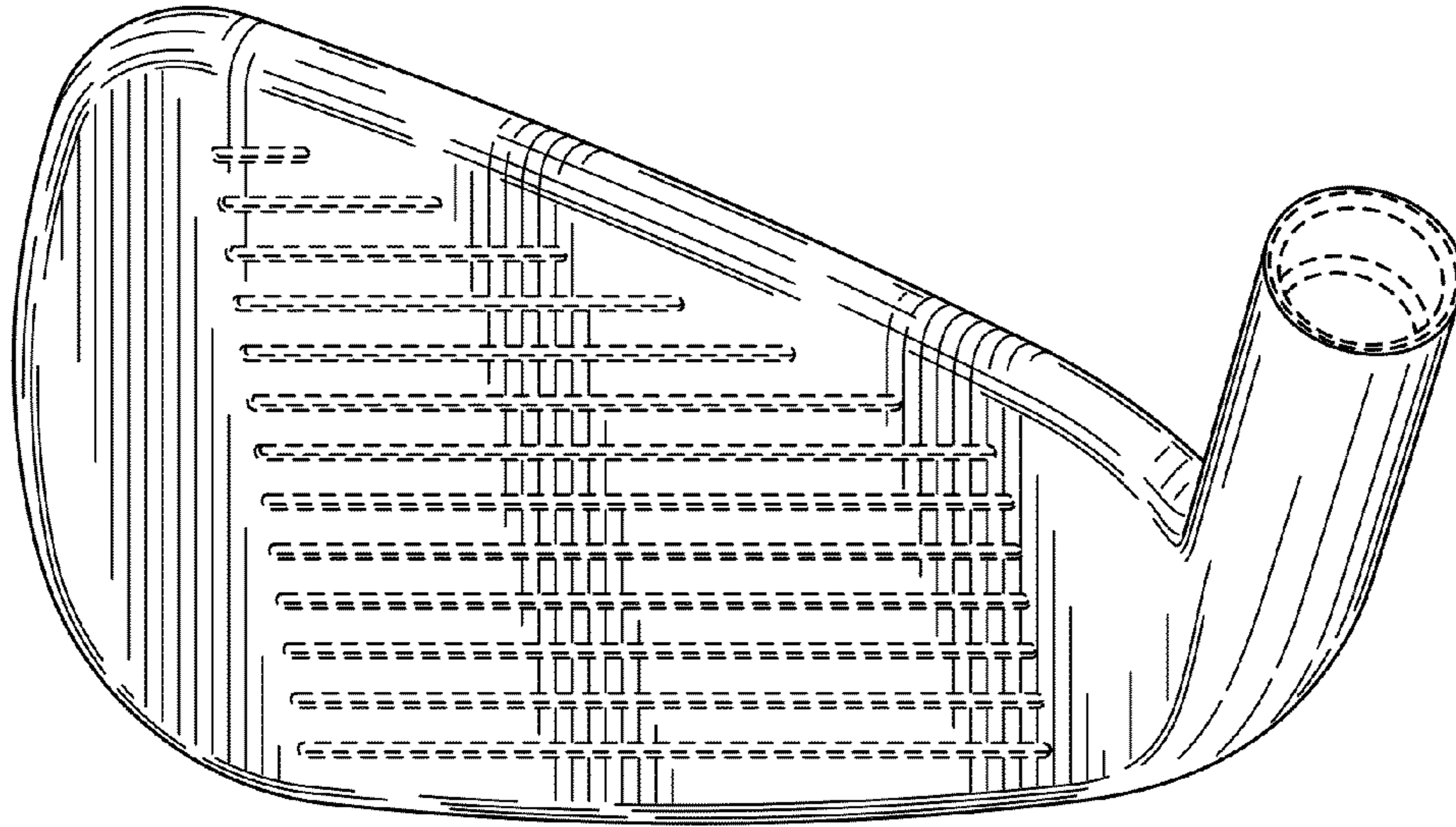


FIG. 1

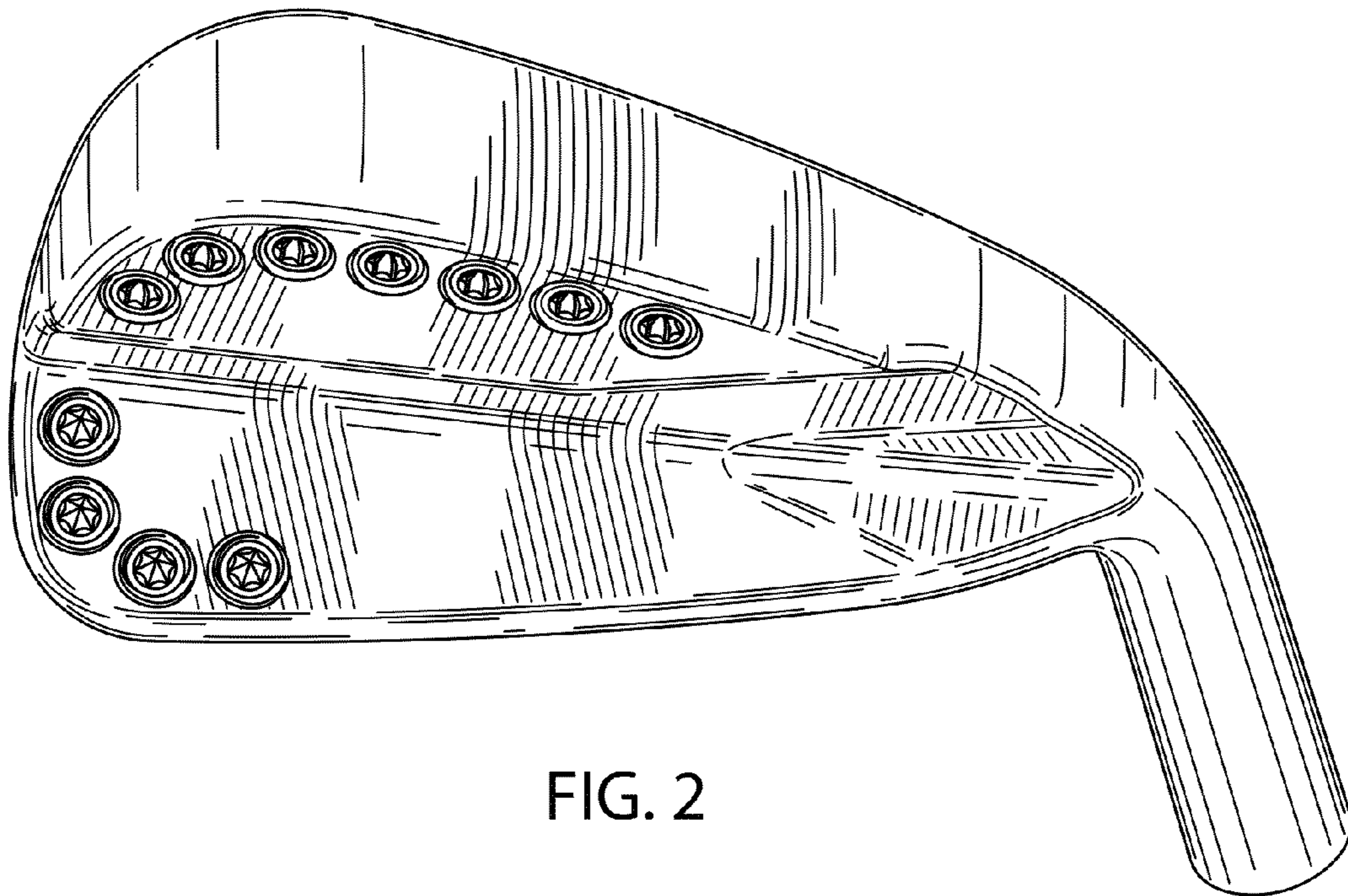


FIG. 2

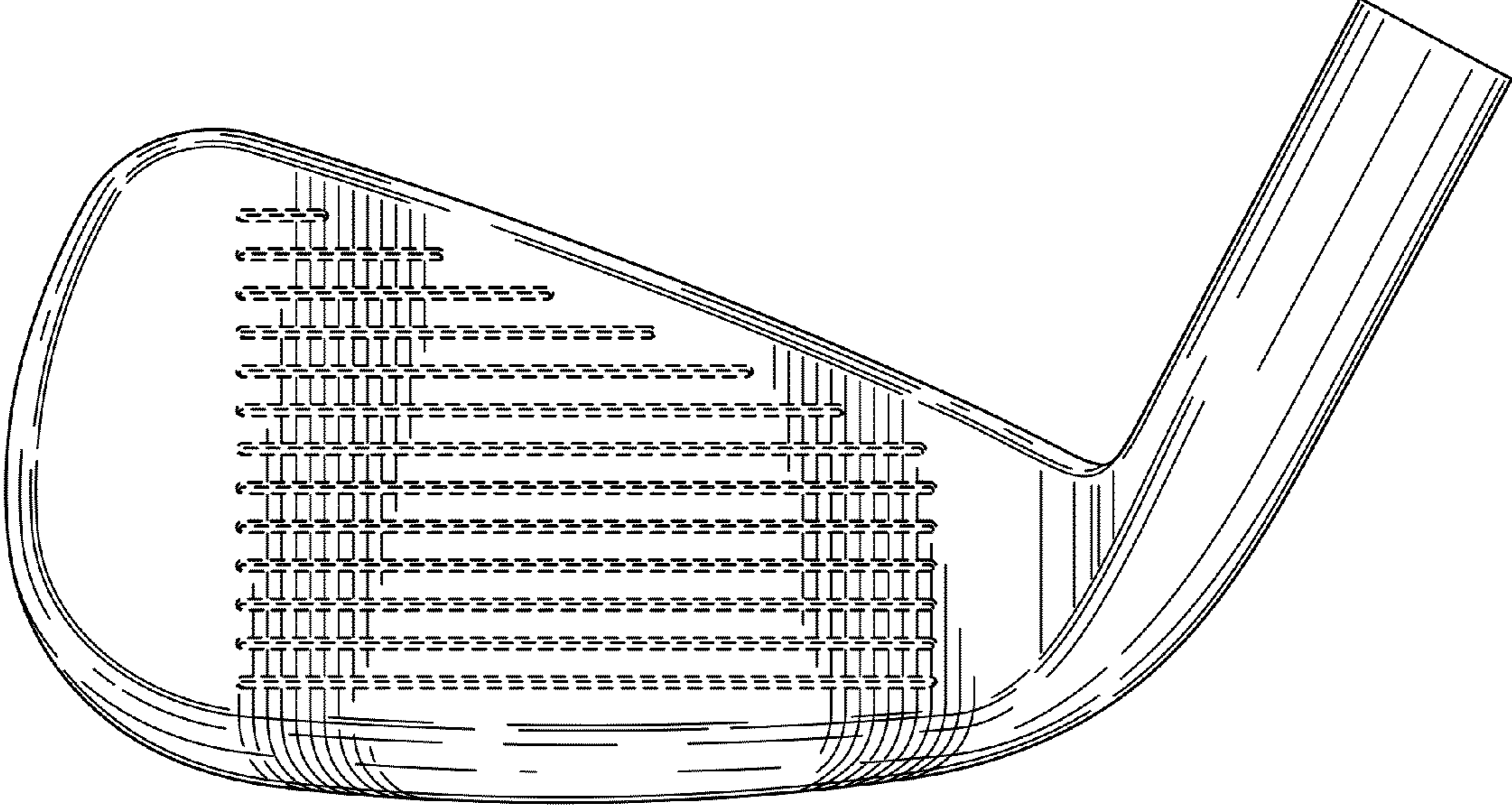


FIG. 3

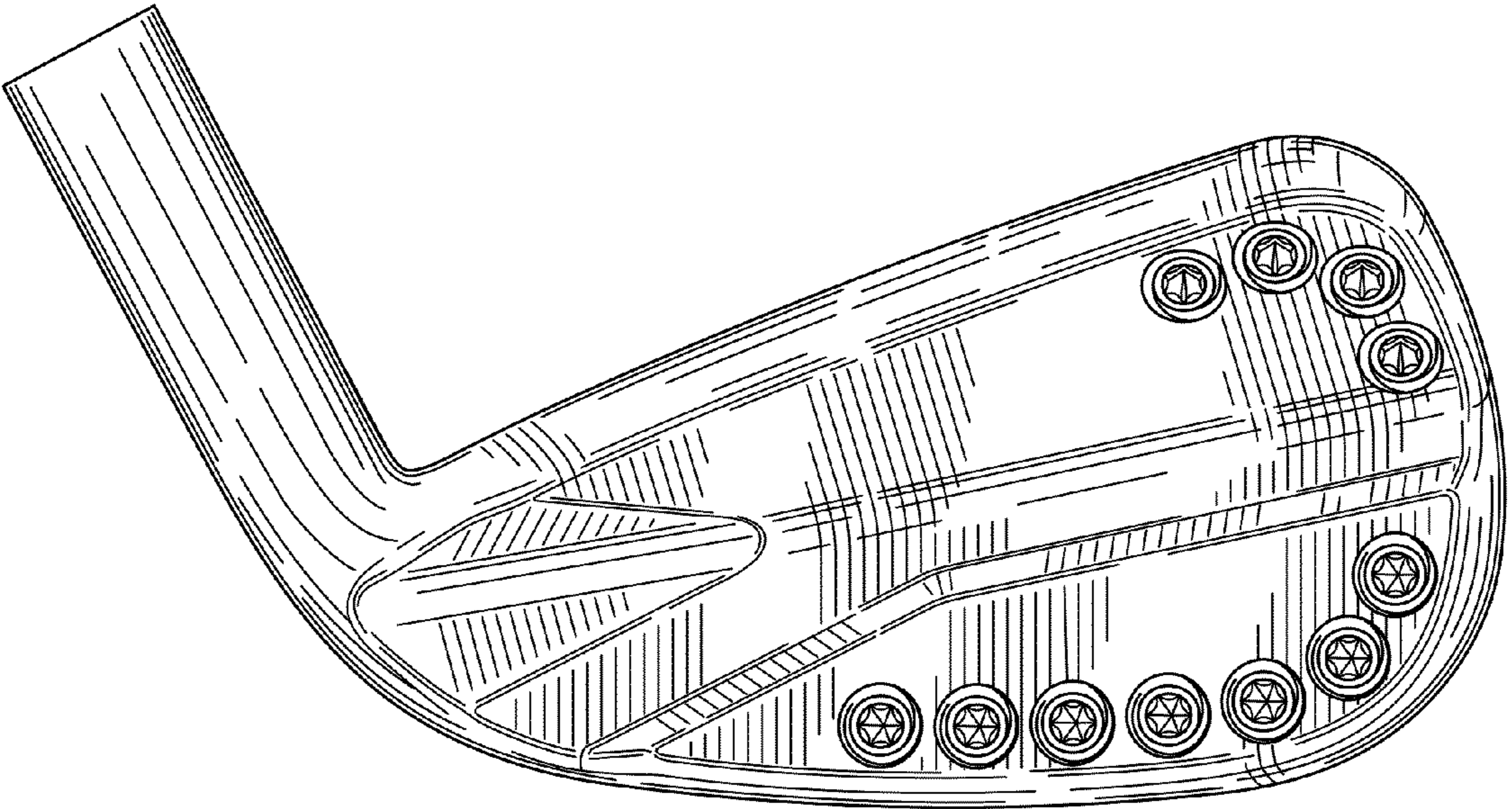


FIG. 4

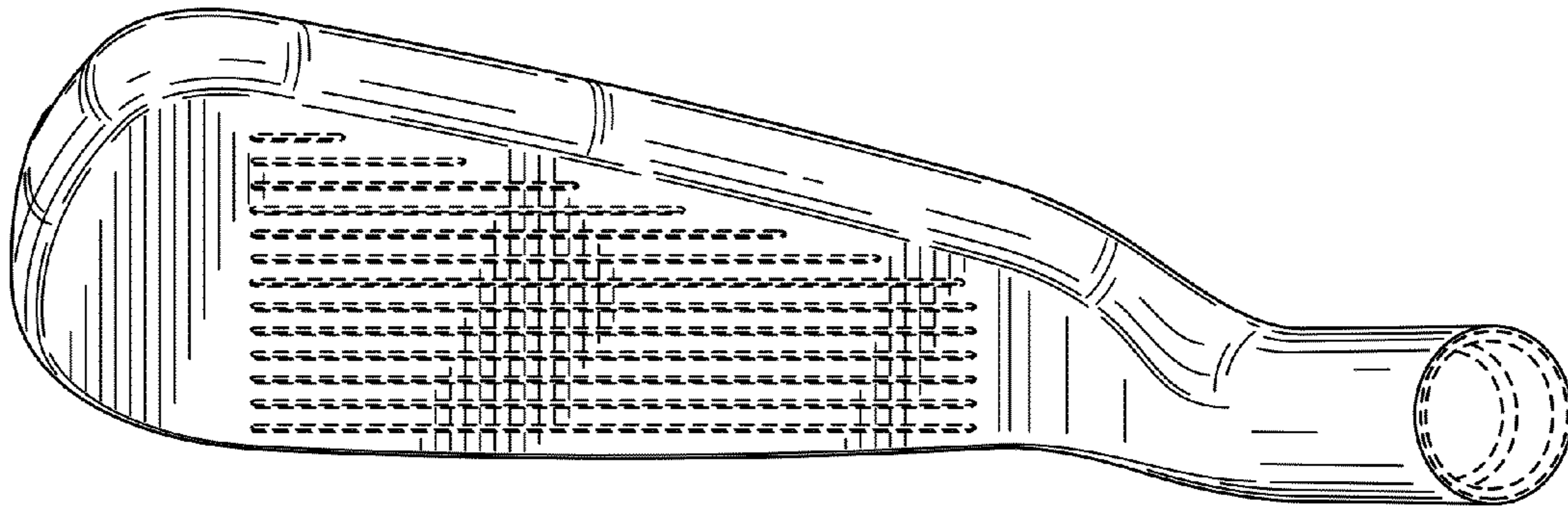


FIG. 5

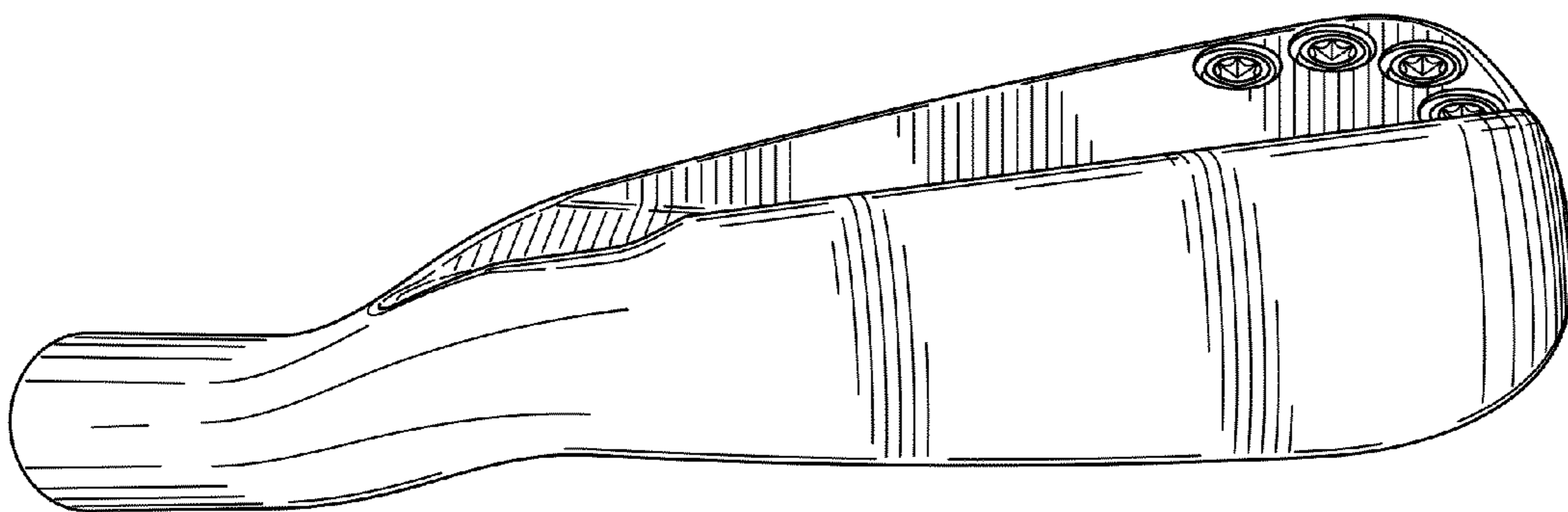


FIG. 6

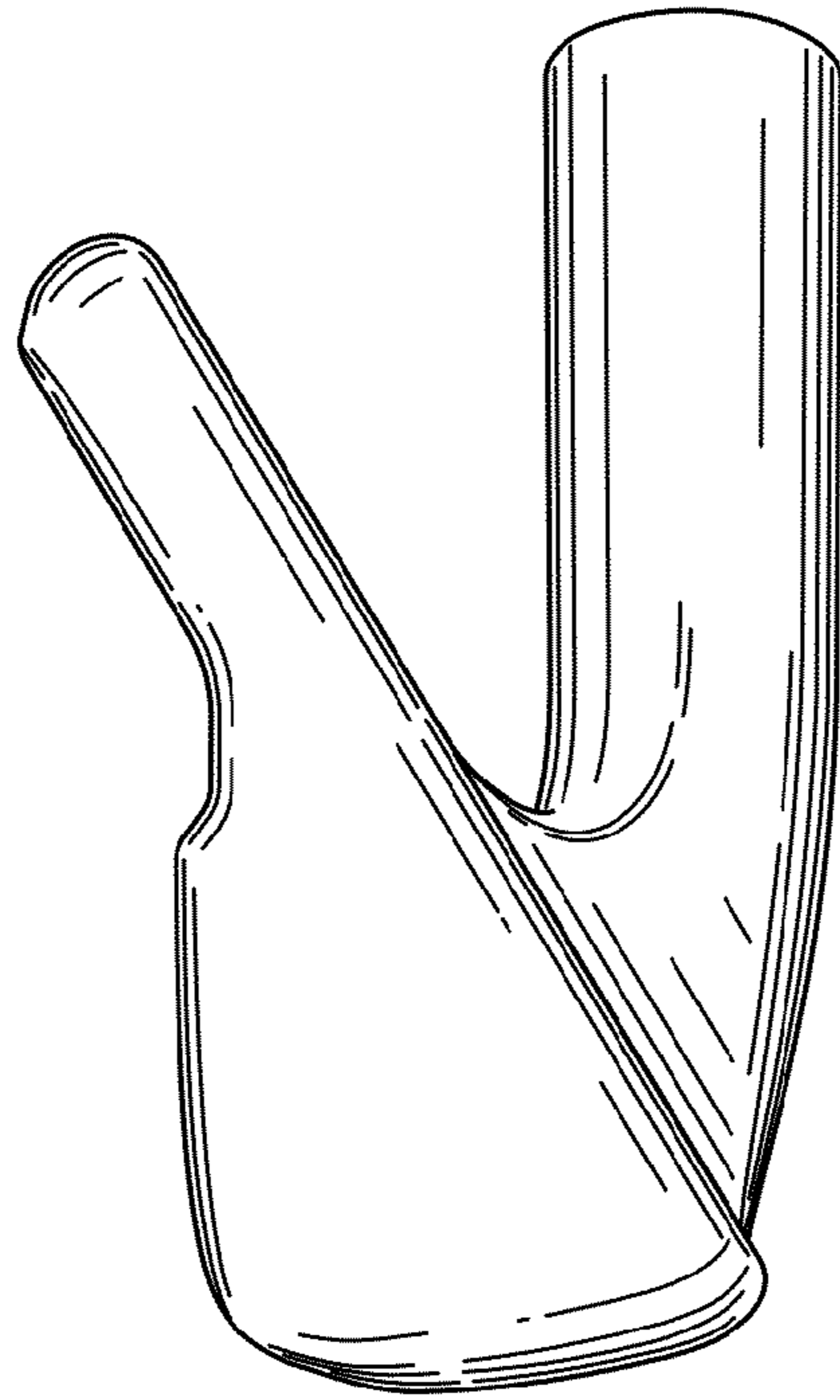


FIG. 7

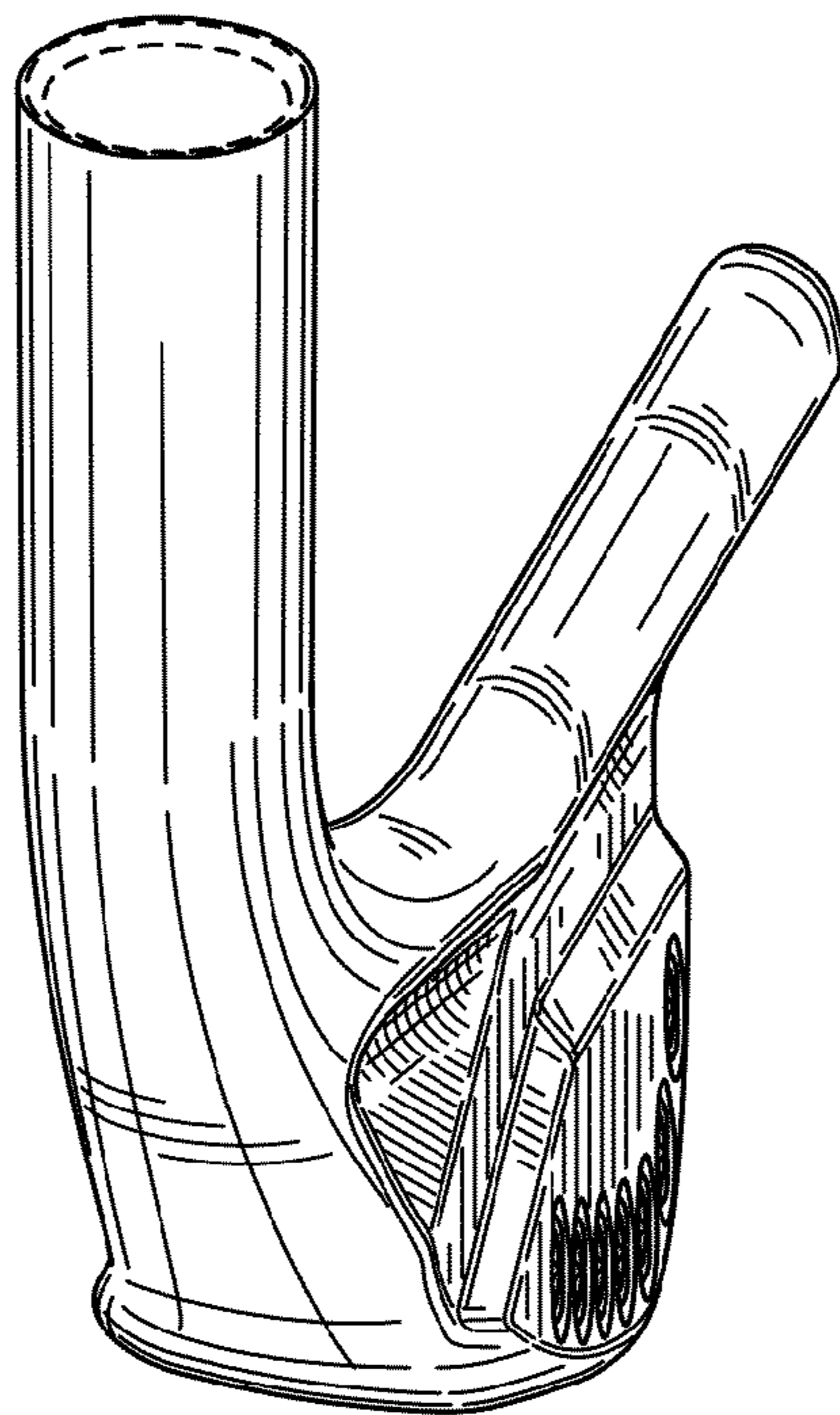


FIG. 8

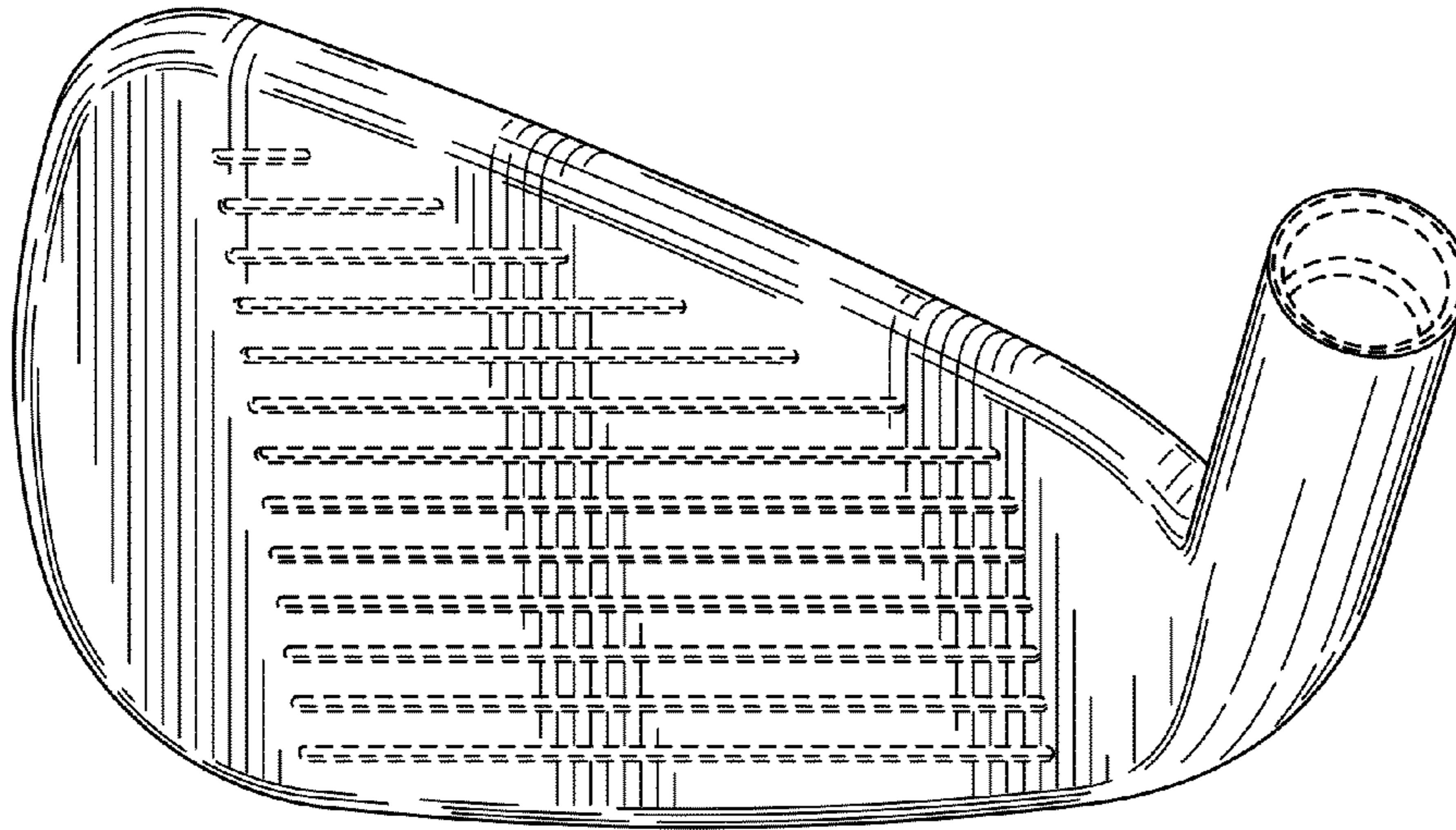


FIG. 9

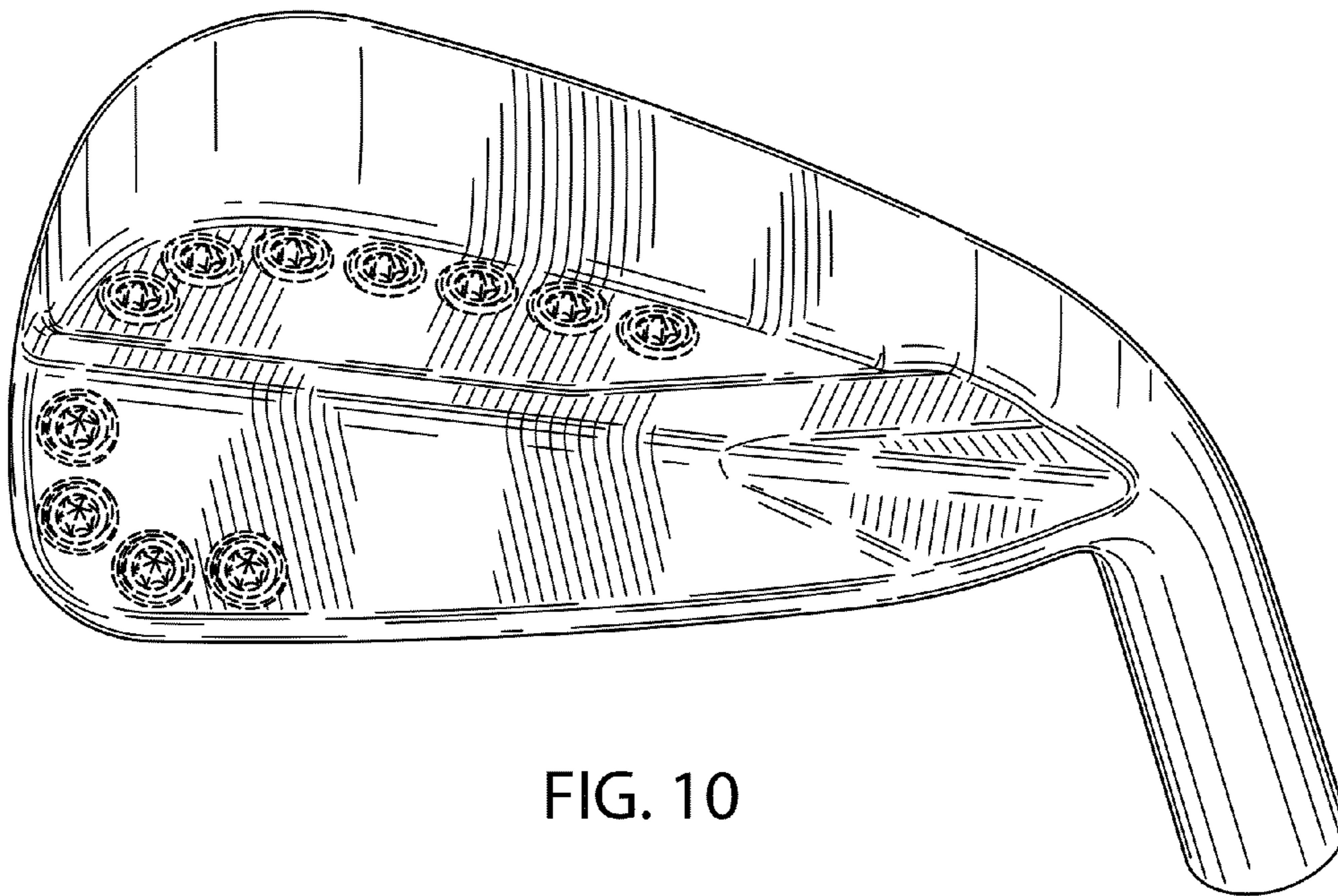


FIG. 10

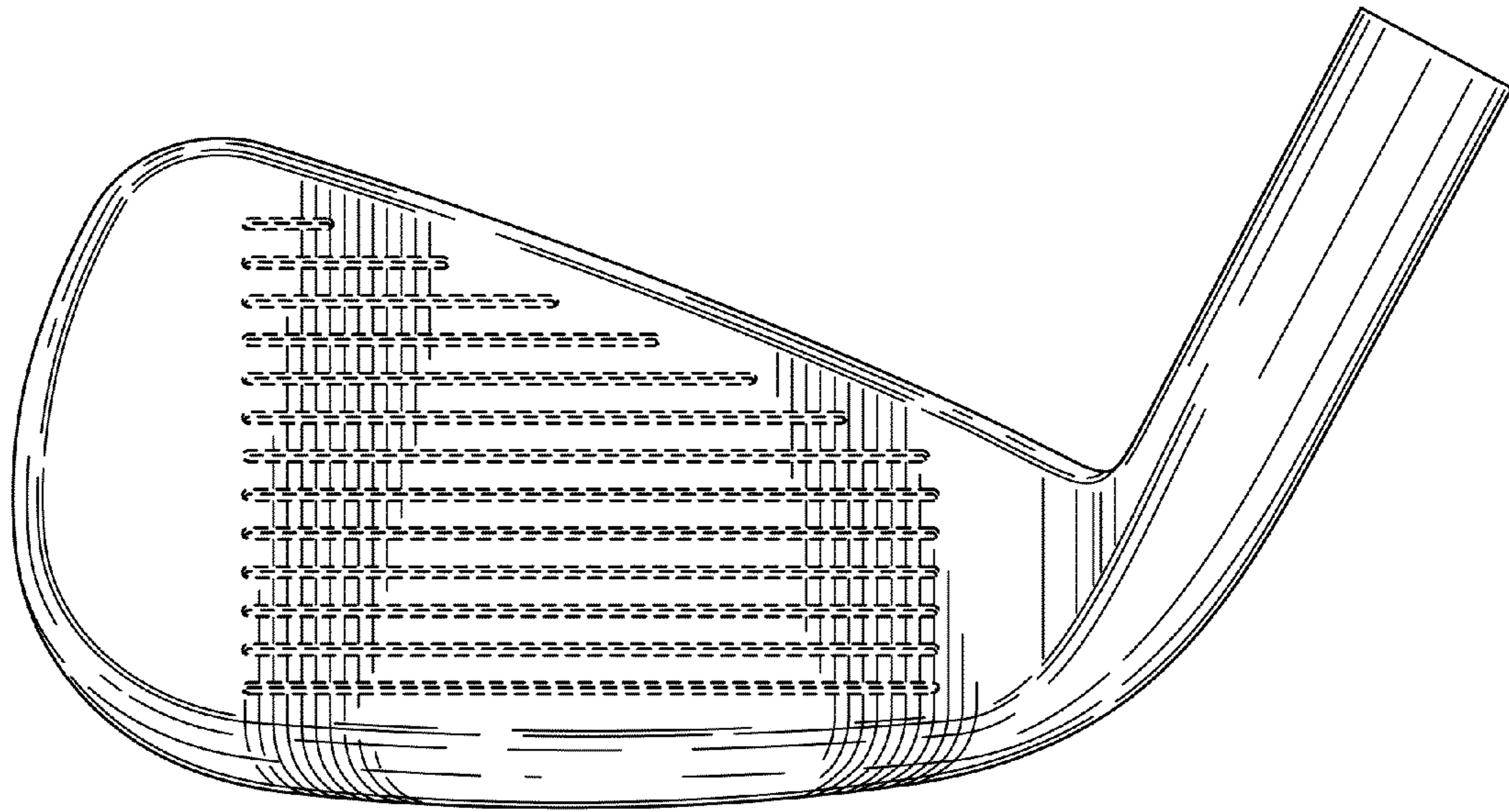


FIG. 11

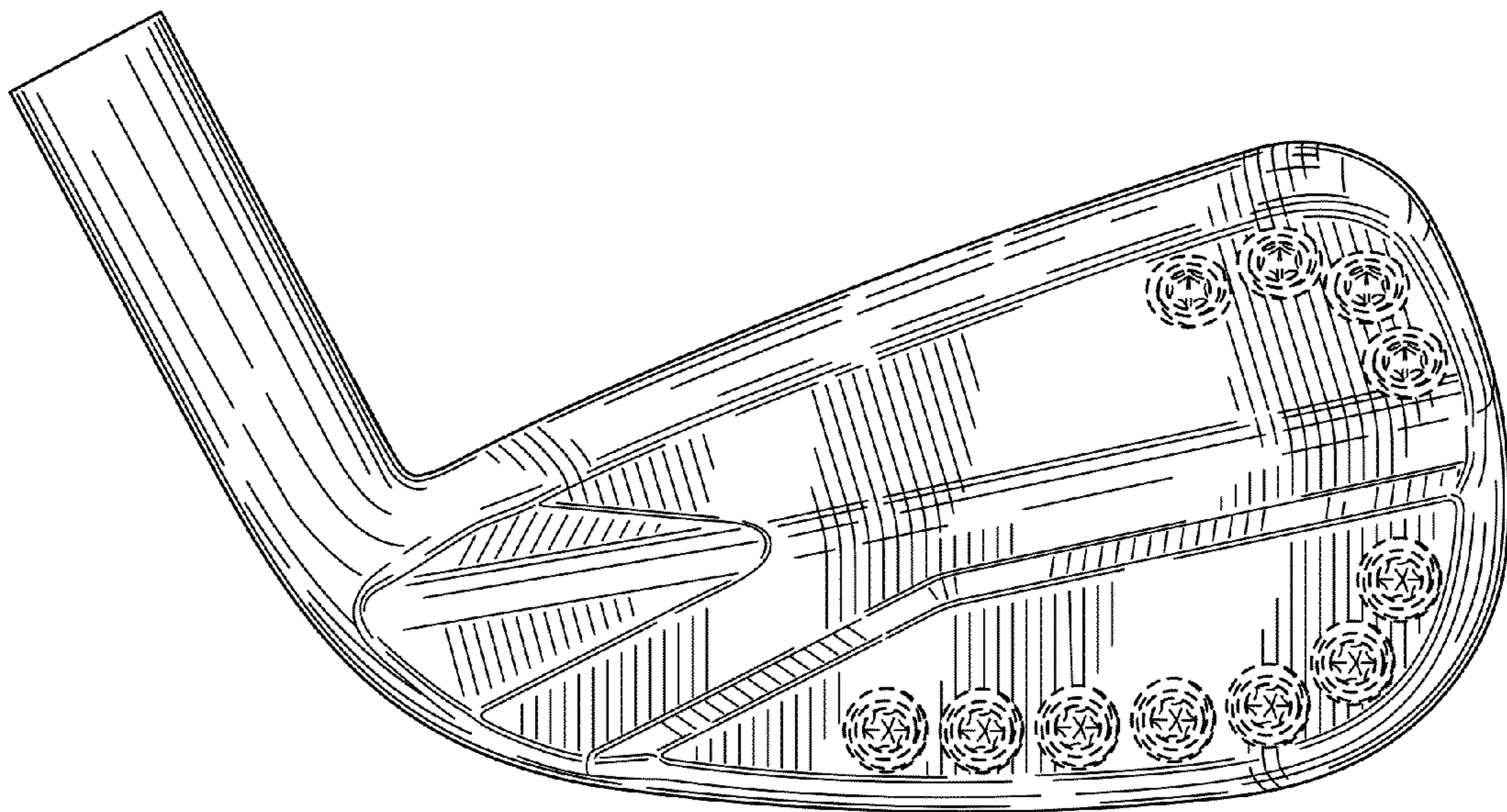


FIG. 12

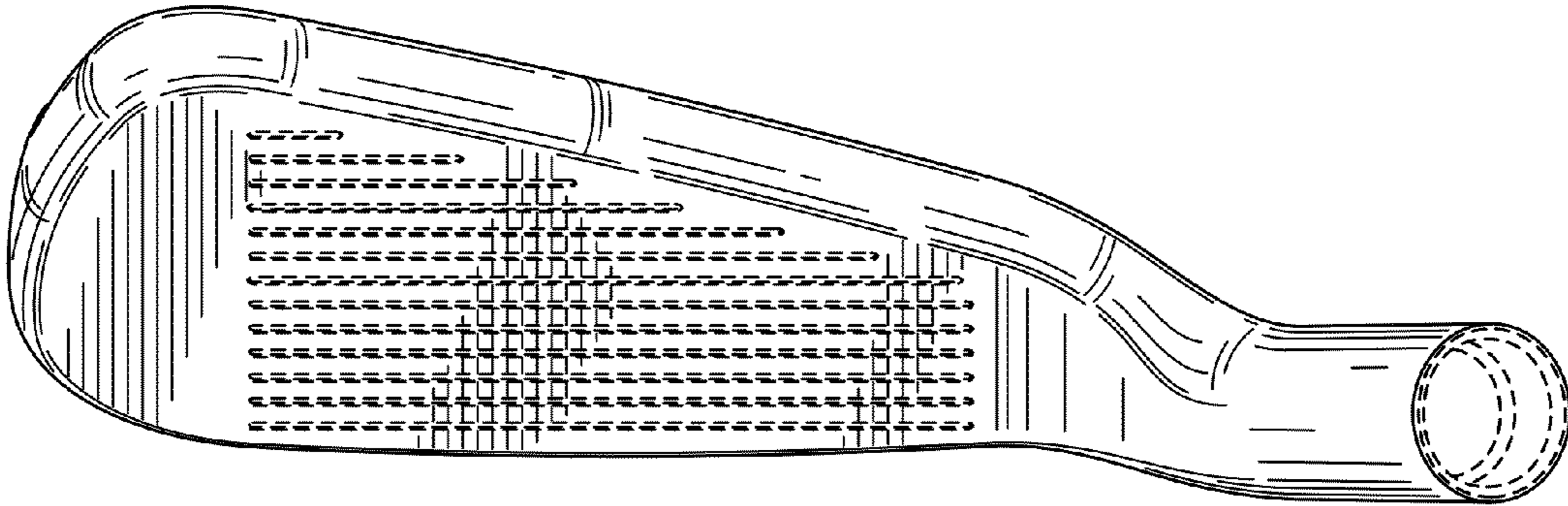


FIG. 13

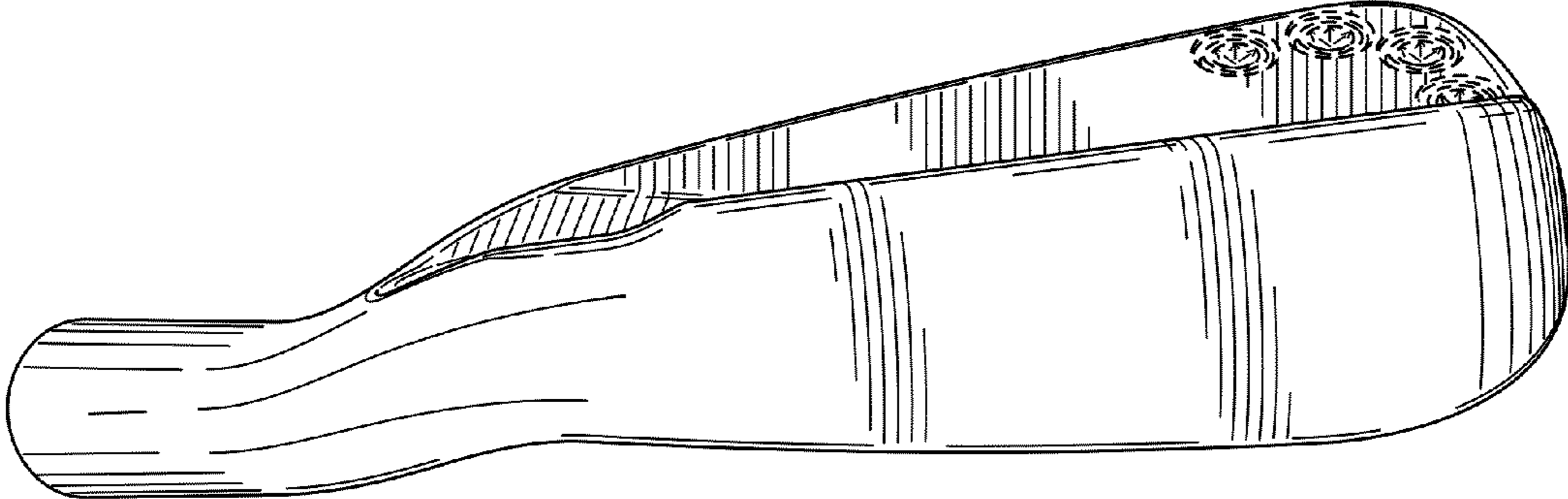


FIG. 14

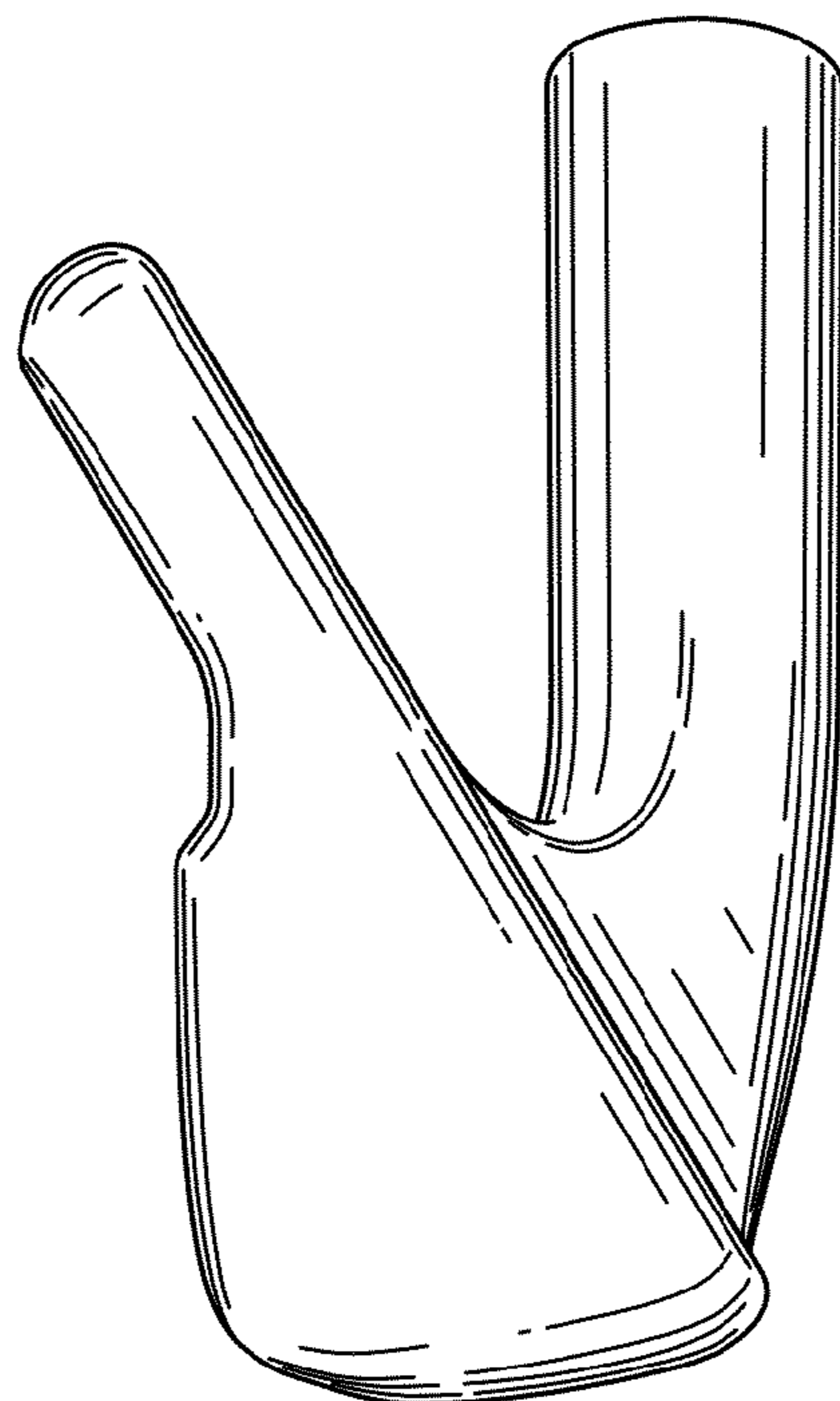


FIG. 15

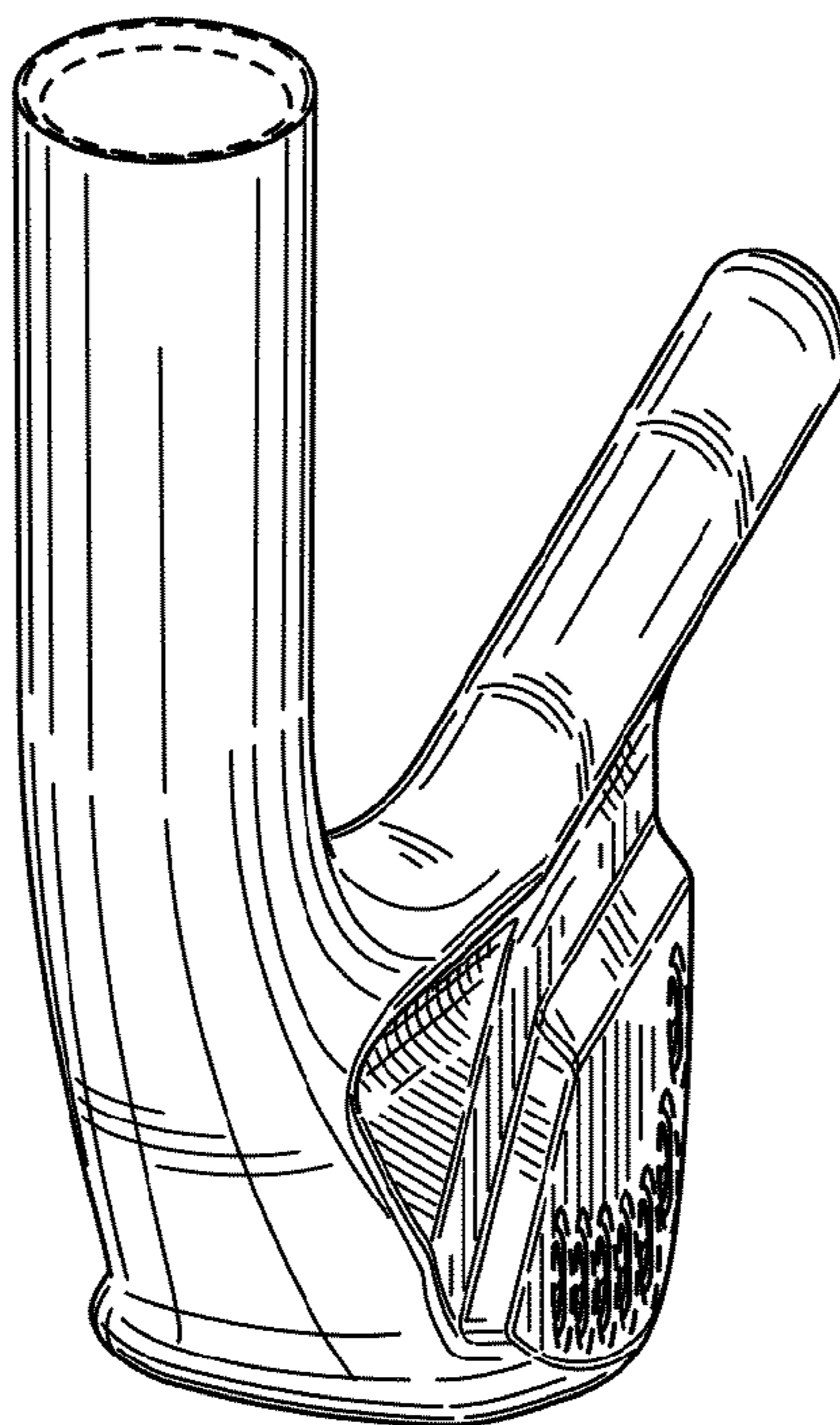


FIG. 16