

US00D722349S

(12) **United States Design Patent**
Smyth

(10) **Patent No.:** **US D722,349 S**

(45) **Date of Patent:** **** Feb. 10, 2015**

(54) **EXERCISE SLIDE BOARD**

(76) Inventor: **Daniel Smyth**, Chatham (CA)

(**) Term: **14 Years**

(21) Appl. No.: **29/417,578**

(22) Filed: **Apr. 5, 2012**

(51) **LOC (10) Cl.** **21-02**

(52) **U.S. Cl.**
USPC **D21/694**

(58) **Field of Classification Search**
USPC D21/662, 668, 670, 674, 676, 686, 688,
D21/689, 690, 694, 695; 482/46, 70-72, 79,
482/96, 112, 121, 130-132, 140, 142, 144,
482/146-147; 601/23, 33, 40, 127, 131;
D6/502, 601, 366; 280/281.1, 287
See application file for complete search history.

(56) **References Cited**

U.S. PATENT DOCUMENTS

1,625,447	A *	4/1927	Benice	482/72
1,750,549	A *	3/1930	Thomson et al.	482/72
D87,261	S *	6/1932	Hardy et al.	D21/674
D118,847	S	2/1940	Wright		
D193,435	S	8/1962	Weiss		
D203,123	S	12/1965	Spackman		
3,467,376	A	9/1969	Feinberg		
3,559,986	A *	2/1971	Ehrmantraut	482/70
3,620,530	A *	11/1971	Cosby	482/130

(Continued)

FOREIGN PATENT DOCUMENTS

KR	101171881	8/2012
WO	2007/070278	6/2007

(Continued)

OTHER PUBLICATIONS

Beaupre et al, Exercise Combined With Continuous Passive Motion or Slider board Therapy Compared with Exercise Only: A Randomized Controlled Trial of Patients Following Total Knee Arthroplasty, Physical Therapy, Apr. 2001; vol. 81, No. 4, pp. 1029-1037.

(Continued)

Primary Examiner — Philip S Hyder

(74) *Attorney, Agent, or Firm* — Woodard Emhardt Moriarty McNett & Henry, LLP

(57) **CLAIM**

The ornamental design for exercise slide board, as shown and described.

DESCRIPTION

FIG. 1 is a top right side perspective view of the exercise slide board and the top left side perspective view is a mirror image thereof;

FIG. 2 is a bottom right side perspective view of the exercise slide board of FIG. 1 and the bottom left side perspective view is a mirror image thereof.

FIG. 3 is a cross sectional view at 3-3 in FIG. 1;

FIG. 4 is a cross sectional view at 4-4 in FIG. 1;

FIG. 5 is a cross sectional view at 5-5 in FIG. 1;

FIG. 6 is a right side elevation view of the exercise slide board of FIG. 1;

FIG. 7 is a left side elevation view of the exercise slide board of FIG. 1;

FIG. 8 is a front view of the exercise slide board of FIG. 1;

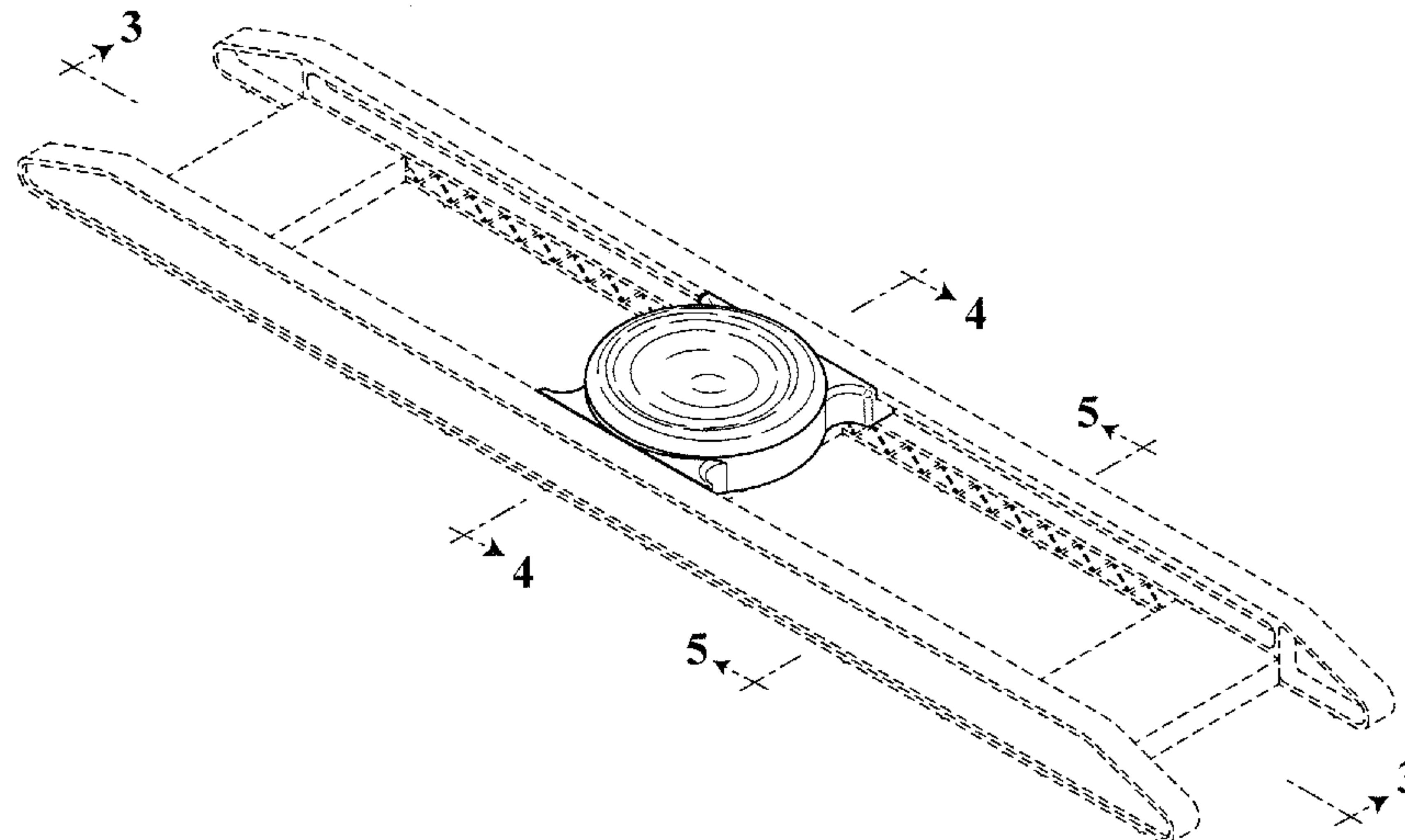
FIG. 9 is a rear view of the exercise slide board of FIG. 1;

FIG. 10 is a top plan view of the exercise slide board of FIG. 1; and,

FIG. 11 is a bottom plan view of the exercise slide board of FIG. 1.

The broken lines shown are for illustrative purposes only and form no part of the claimed design.

1 Claim, 5 Drawing Sheets



(56)

References Cited

U.S. PATENT DOCUMENTS

3,658,327 A * 4/1972 Thiede 482/96
 D225,343 S * 12/1972 Flick et al. D21/668
 D268,277 S * 3/1983 Smith D21/695
 4,402,506 A * 9/1983 Jones 482/70
 4,512,571 A * 4/1985 Hermelin 482/70
 D289,539 S * 4/1987 Brentham D21/674
 4,684,121 A * 8/1987 Nestegard 482/70
 4,813,667 A * 3/1989 Watterson 482/70
 4,848,737 A 7/1989 Ehrenfield
 4,921,242 A * 5/1990 Watterson 482/72
 D314,027 S 1/1991 Lo
 5,145,481 A 9/1992 Friedebach
 5,279,530 A 1/1994 Hess
 5,486,359 A 1/1996 Caplan et al.
 5,499,958 A 3/1996 Hess
 5,518,483 A * 5/1996 Oswald 482/131
 5,518,484 A 5/1996 Bruckenstein
 D403,163 S * 12/1998 Lipps D21/692
 D419,625 S * 1/2000 Barnett et al. D21/692
 6,013,010 A 1/2000 Farsaie
 D425,585 S * 5/2000 Wu D21/676
 D483,082 S * 12/2003 Toole D21/662
 D622,787 S * 8/2010 Masterson et al. D21/668
 D623,244 S * 9/2010 Hoffman D21/668
 D630,275 S * 1/2011 Mills et al. D21/687

7,892,073 B1 * 2/2011 Smania et al. 451/50
 7,931,570 B2 4/2011 Hoffman
 7,951,050 B2 5/2011 Raumann et al.
 8,033,971 B2 10/2011 Campanaro et al.
 8,142,336 B1 3/2012 Yates
 2001/0036885 A1 11/2001 Castellot et al.
 2004/0043876 A1 3/2004 Craciunescu
 2005/0181914 A1 8/2005 Radkowski et al.
 2009/0098983 A1 4/2009 Hoffman
 2009/0098988 A1 4/2009 Kennedy
 2010/0016131 A1 * 1/2010 Hoffman 482/121
 2010/0311555 A1 12/2010 Campanaro et al.
 2011/0118094 A1 5/2011 Kissner et al.
 2012/0108405 A1 5/2012 Milo

FOREIGN PATENT DOCUMENTS

WO 2010/139015 12/2010
 WO 2013/009577 1/2013

OTHER PUBLICATIONS

International Search Report for International Application No. PCT/CA2013/050327 filed Apr. 29, 2013.
 Written Opinion for International Application No. PCT/CA2013/050327 filed Apr. 29, 2013.

* cited by examiner

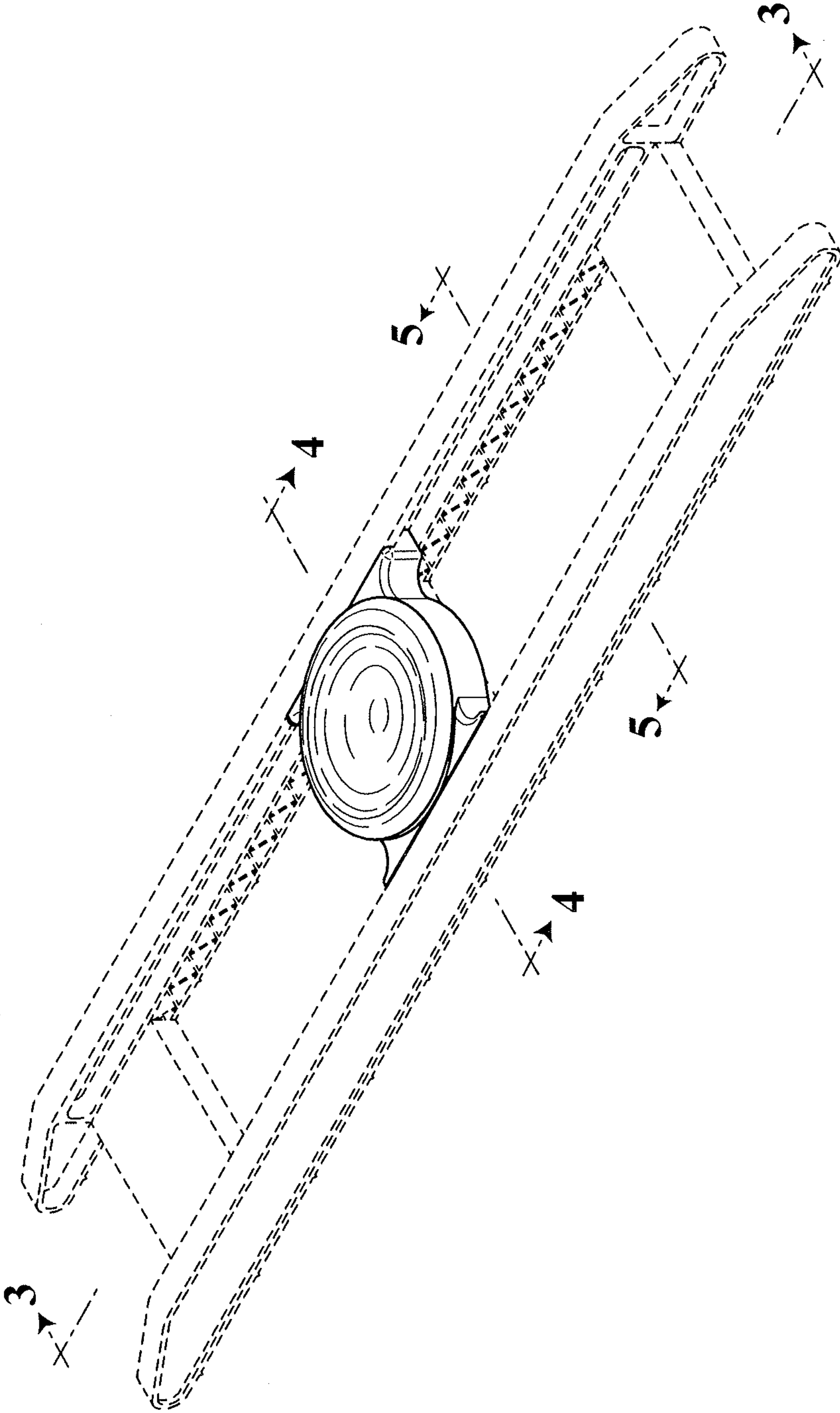


FIG. 1

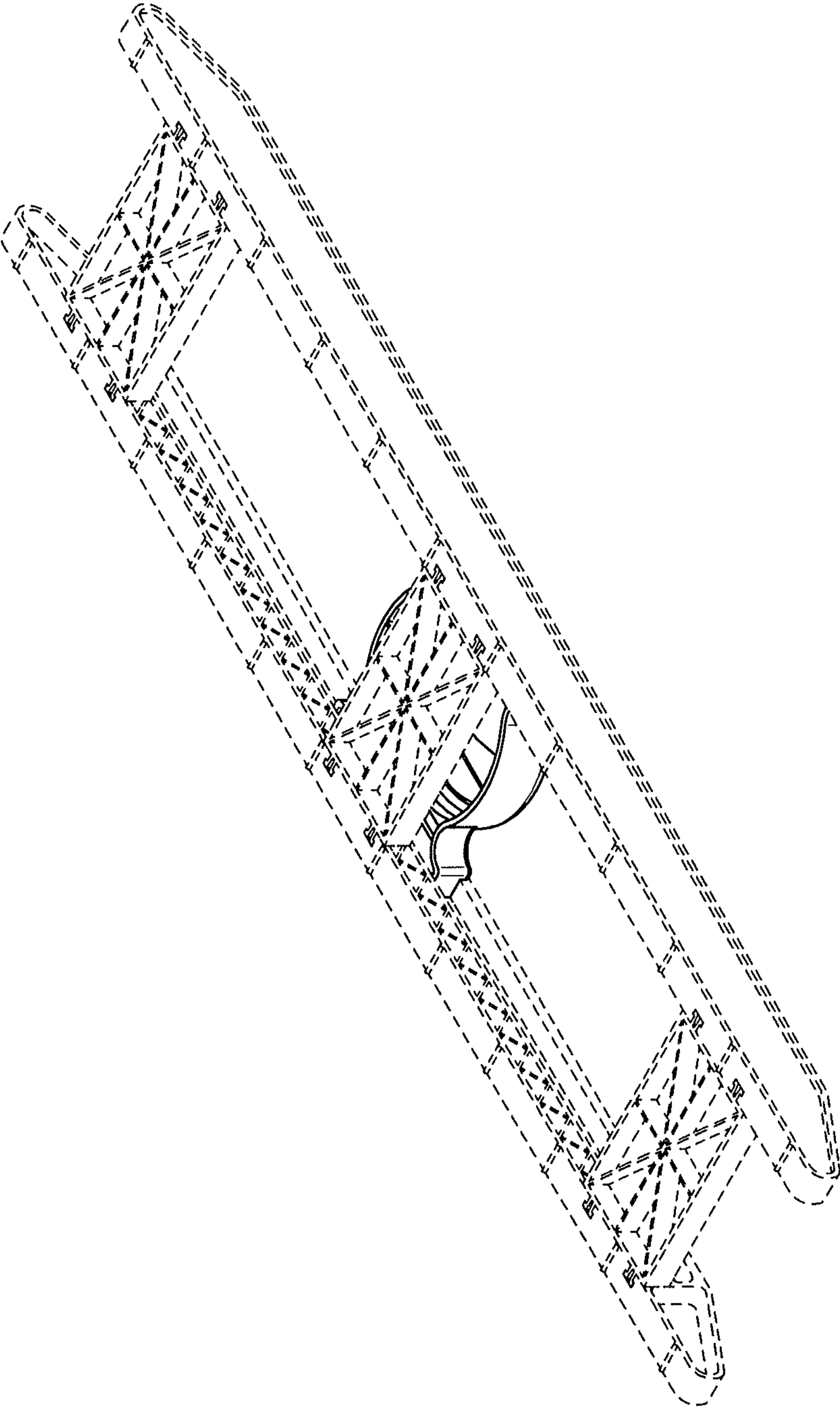


FIG. 2

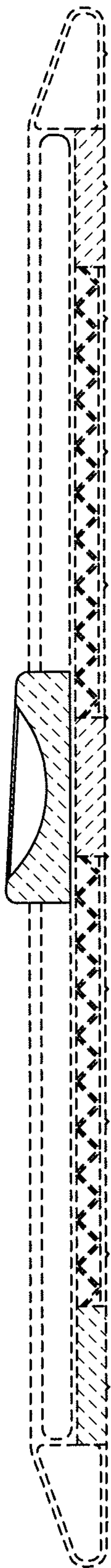


FIG. 3

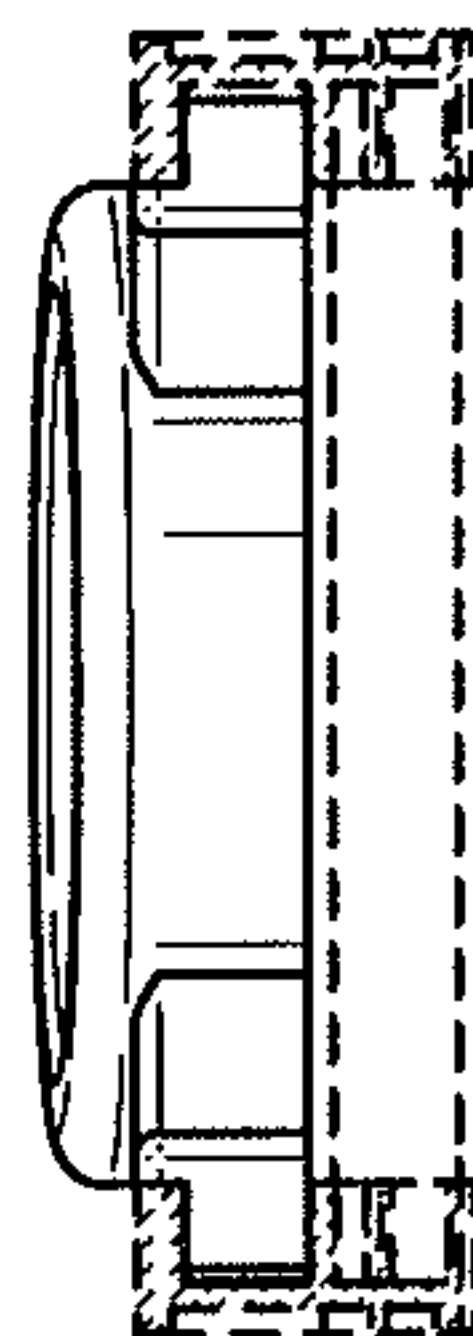


FIG. 5

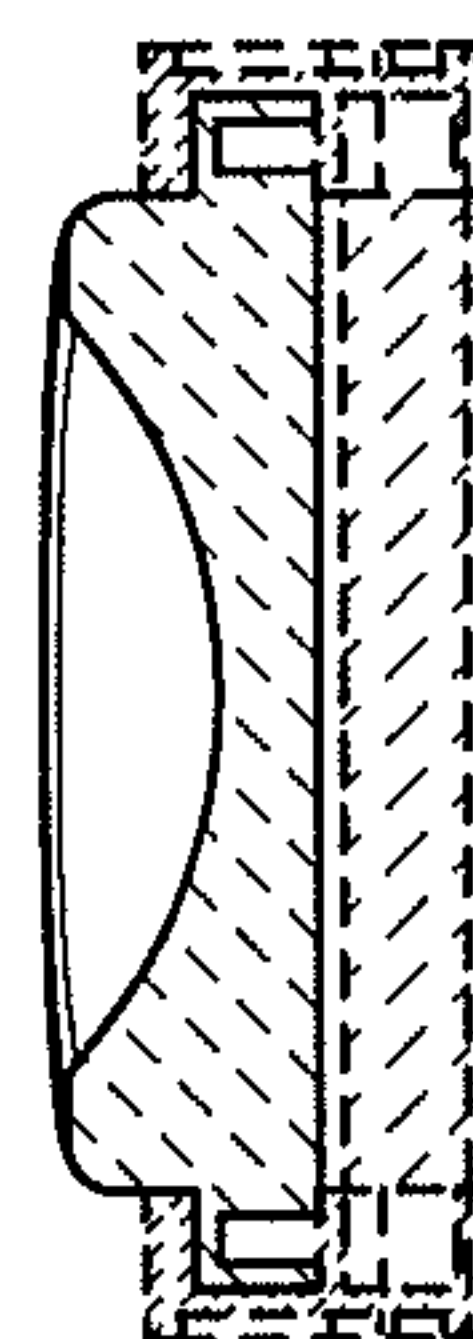


FIG. 4

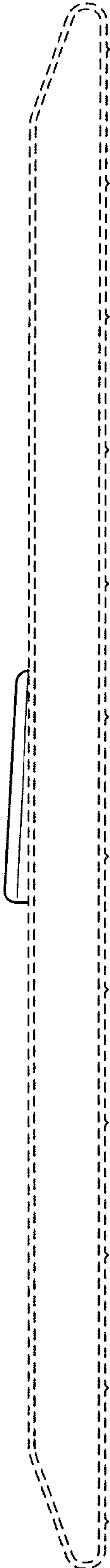


FIG. 6

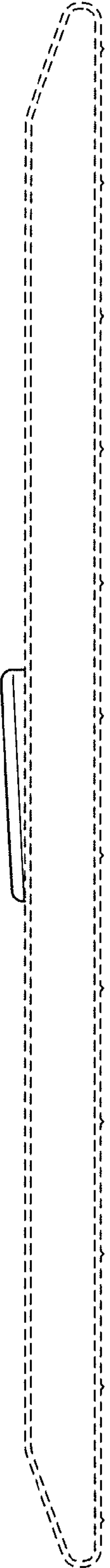


FIG. 7

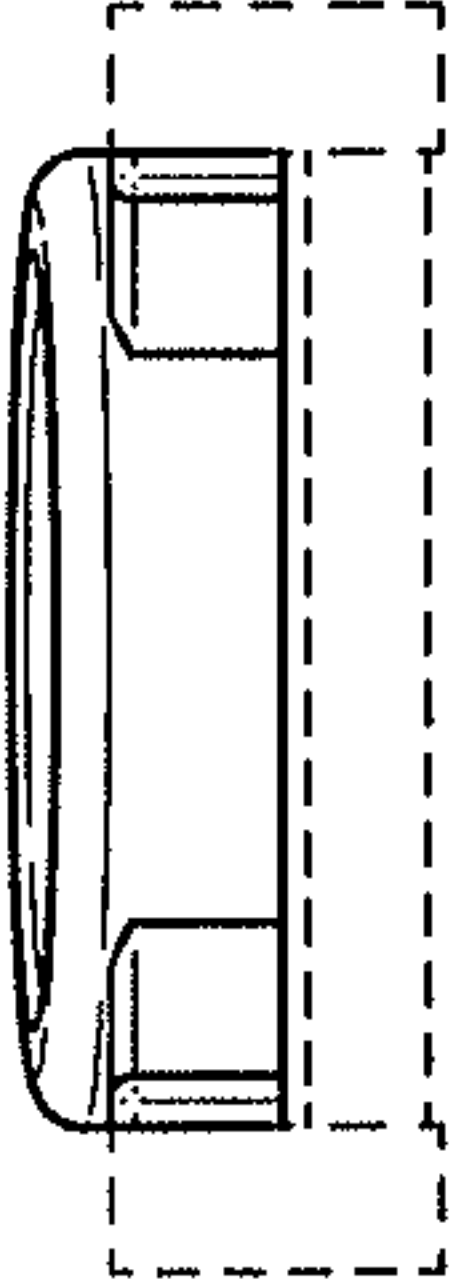


FIG. 8

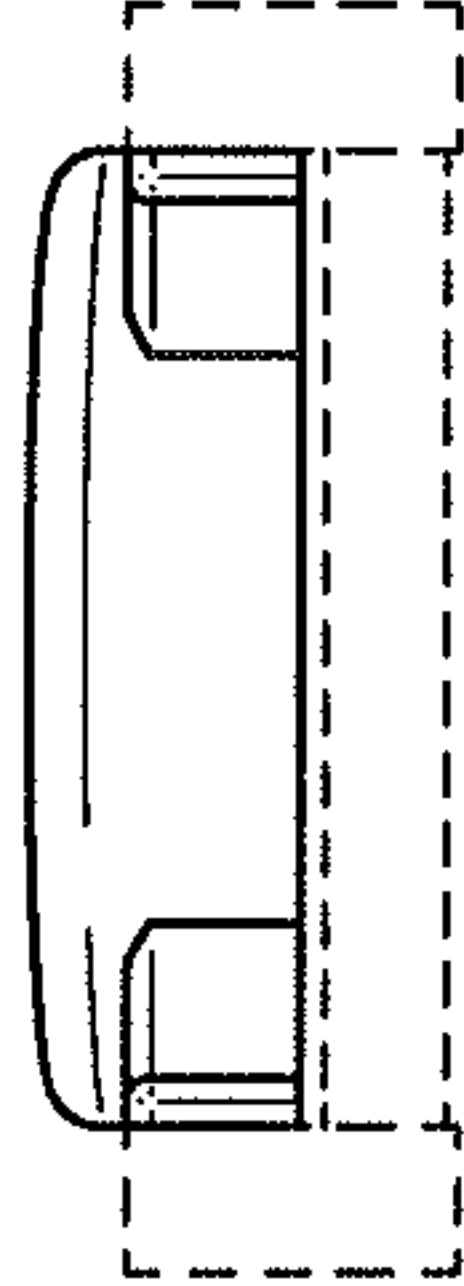


FIG. 9

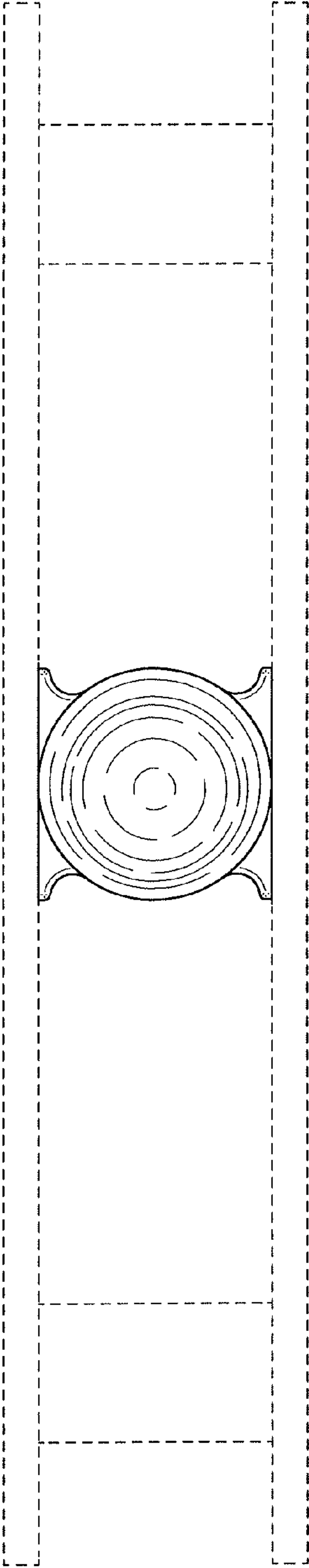


FIG. 10

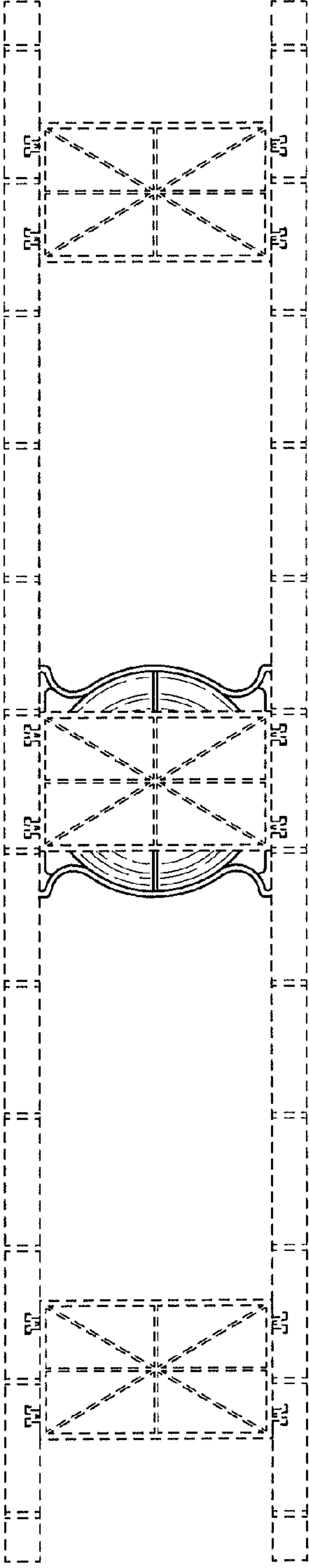


FIG. 11