



US00D722339S

(12) **United States Design Patent**
Nakagawa et al.

(10) **Patent No.:** **US D722,339 S**

(45) **Date of Patent:** **** Feb. 10, 2015**

(54) **PRINTER**

(71) Applicants: **Ryoichi Nakagawa**, Nagoya (JP); **Jiro Suzuki**, Kariya (JP)

(72) Inventors: **Ryoichi Nakagawa**, Nagoya (JP); **Jiro Suzuki**, Kariya (JP)

(73) Assignee: **Brother Industries, Ltd.**, Nagoya (JP)

(**) Term: **14 Years**

(21) Appl. No.: **29/464,382**

(22) Filed: **Aug. 15, 2013**

(30) **Foreign Application Priority Data**

Feb. 15, 2013 (JP) 2013-2993

(51) **LOC (10) Cl.** **14-02**

(52) **U.S. Cl.**
USPC **D18/55**

(58) **Field of Classification Search**
CPC B41J 3/36; B41J 9/26; B41J 15/00;
B41J 29/02; B41J 29/13; B41J 35/36; B65H
35/06; G03G 21/00; G03G 21/16; G03G
15/00; G06F 3/12; G06K 15/14
USPC D18/36-37, 50, 54, 54.1, 55;
D14/420-425, 462-470; 400/613,
400/613.1-613.4, 690.1-690.4, 691-694
See application file for complete search history.

(56) **References Cited**

U.S. PATENT DOCUMENTS

D322,274 S *	12/1991	Tokuda et al.	D18/54
D578,494 S *	10/2008	Hattori	D18/55
D617,829 S	6/2010	Suzuki et al.		
D639,847 S *	6/2011	Nakata et al.	D18/50
D643,058 S	8/2011	Seki et al.		
D653,703 S *	2/2012	Seki et al.	D18/55
D697,964 S *	1/2014	Fukasawa et al.	D18/55

* cited by examiner

Primary Examiner — Cathy A MacCormac

(74) *Attorney, Agent, or Firm* — Oliff PLC

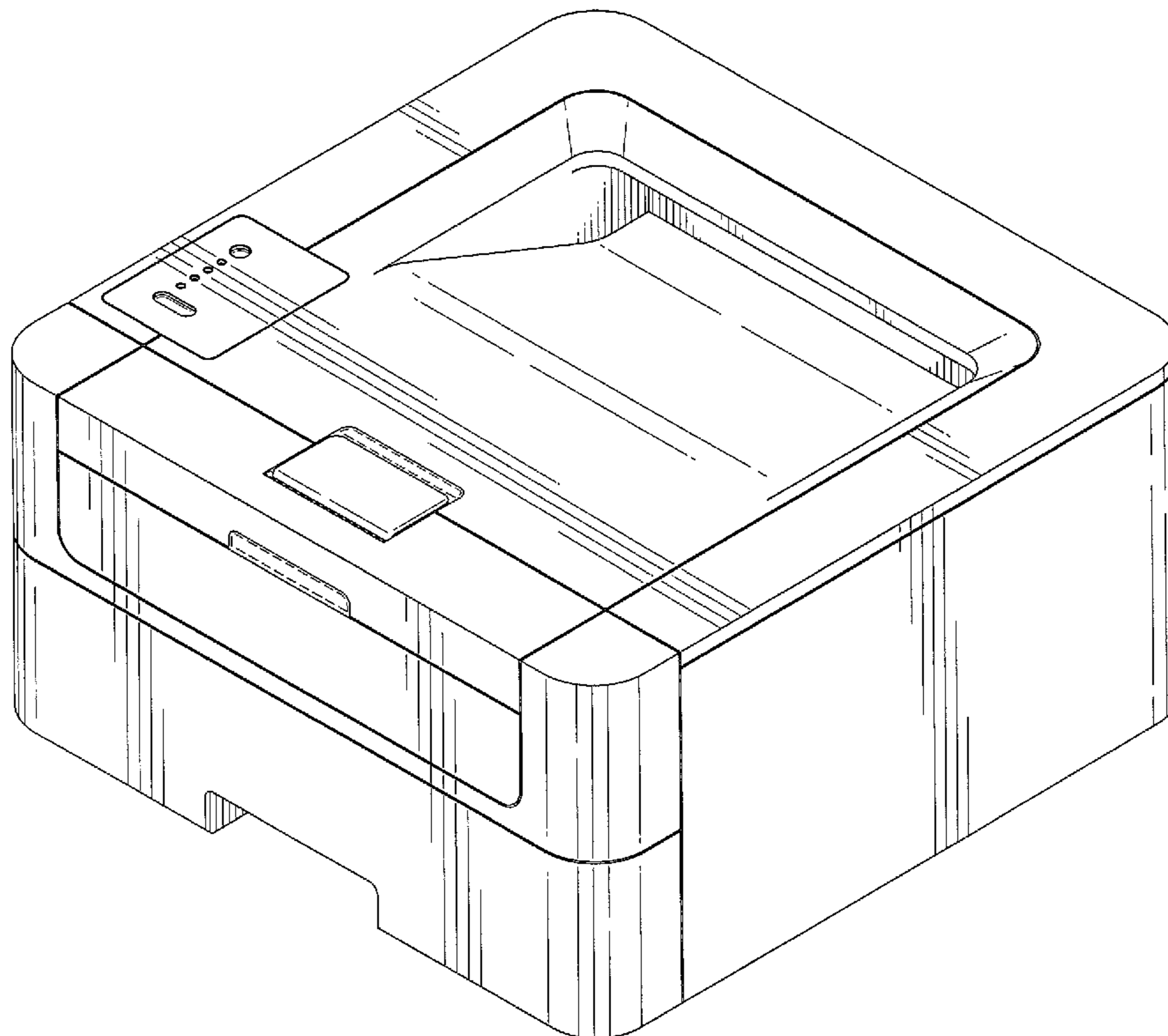
(57) **CLAIM**

The ornamental design for a printer, as shown and described.

DESCRIPTION

FIG. 1 is a perspective view of a printer;
FIG. 2 is a front view thereof;
FIG. 3 is a top view thereof;
FIG. 4 is a right-side view thereof;
FIG. 5 is a left-side view thereof;
FIG. 6 is a rear view thereof; and,
FIG. 7 is a bottom view thereof.
The broken lines depict environmental subject matter only
and form no part of the claimed design.

1 Claim, 6 Drawing Sheets



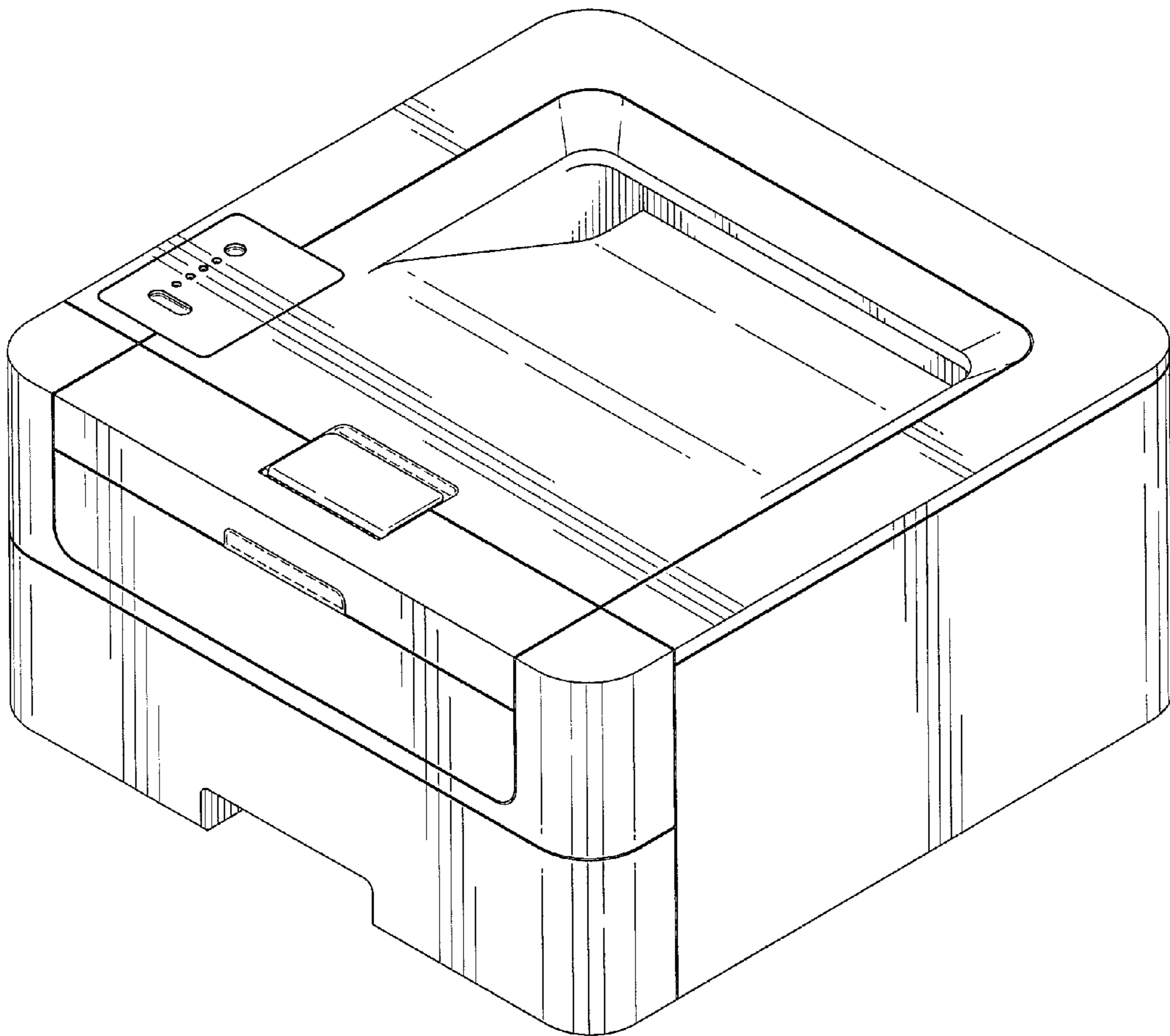


FIG. 1

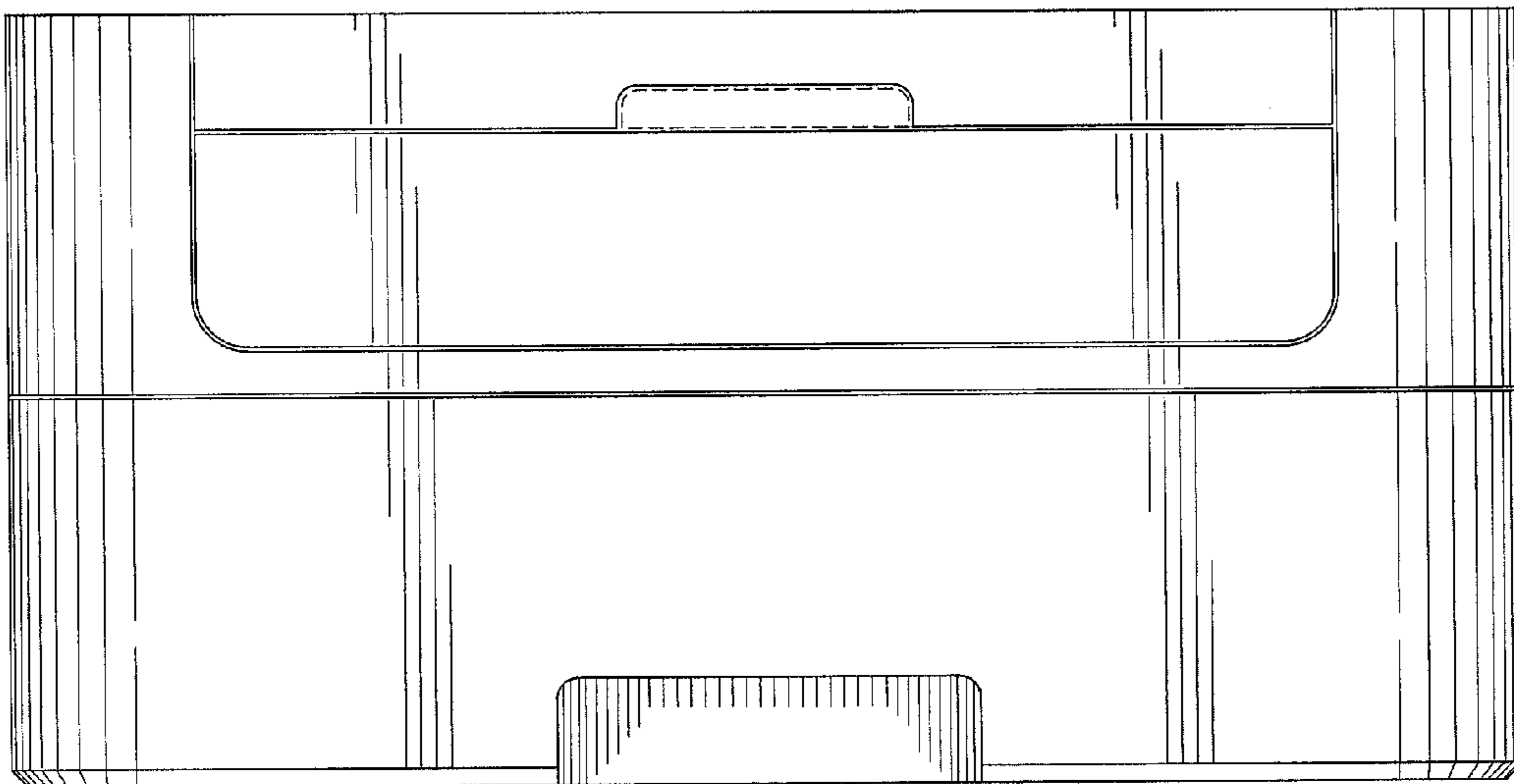


FIG. 2

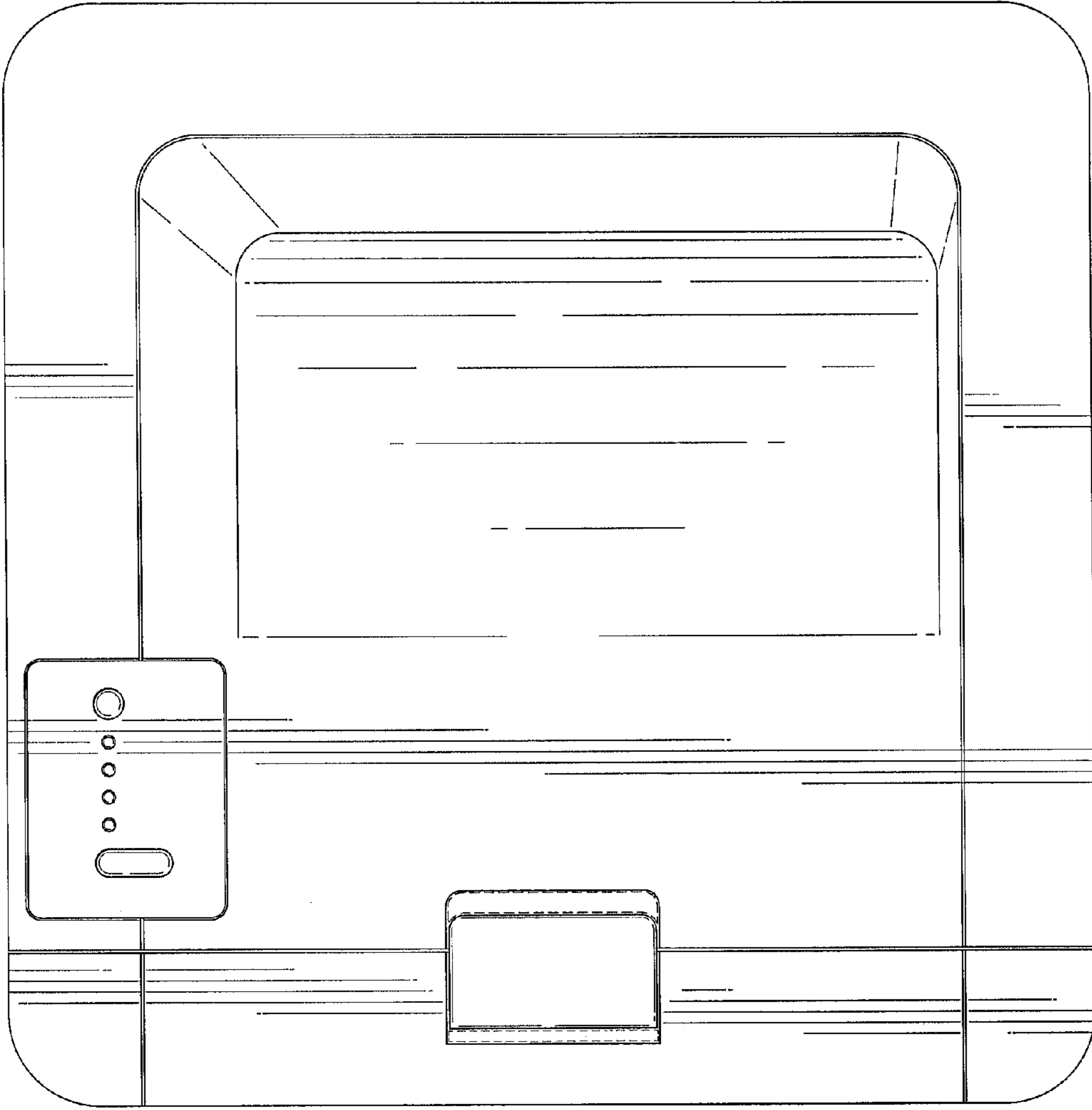


FIG. 3

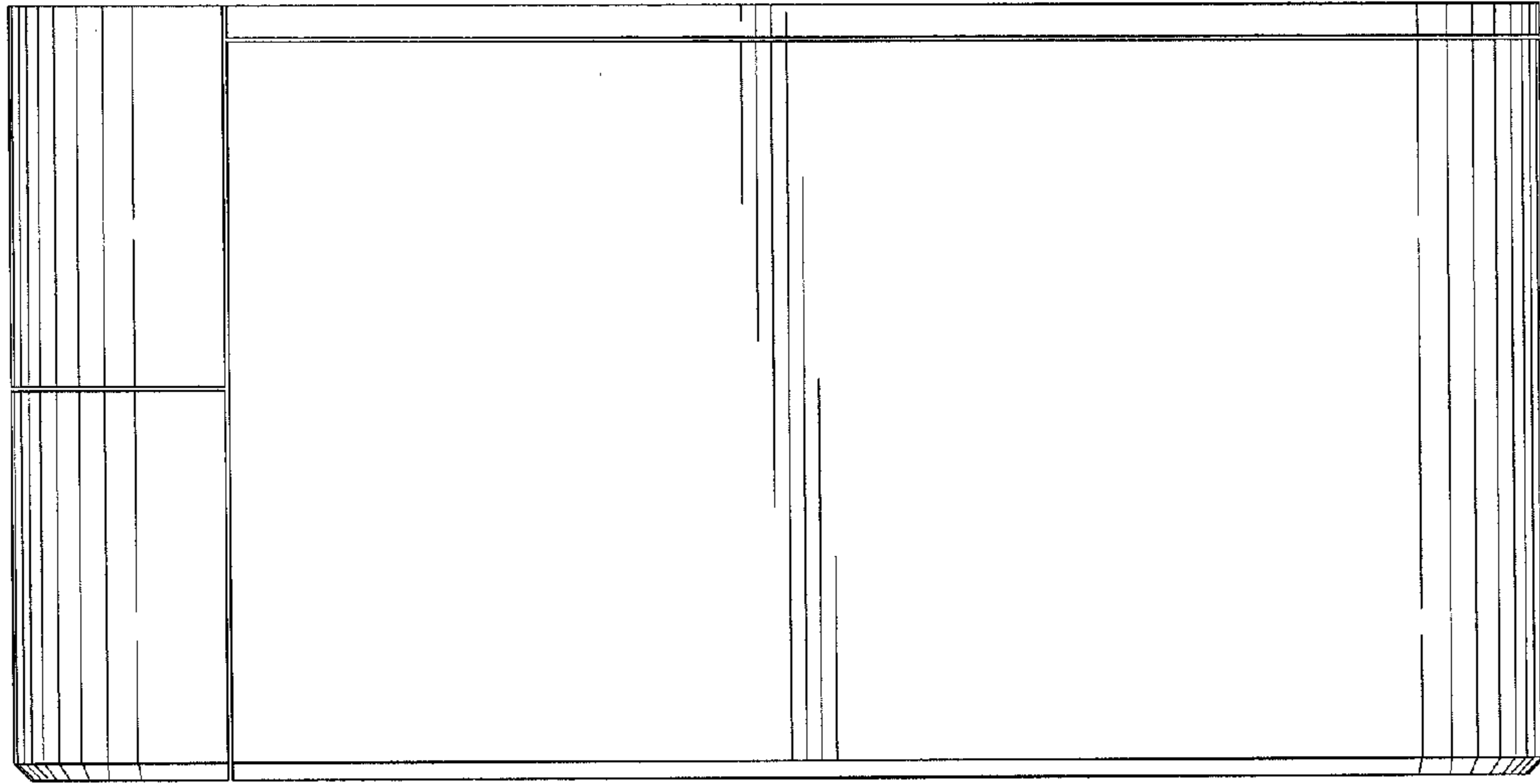


FIG. 4

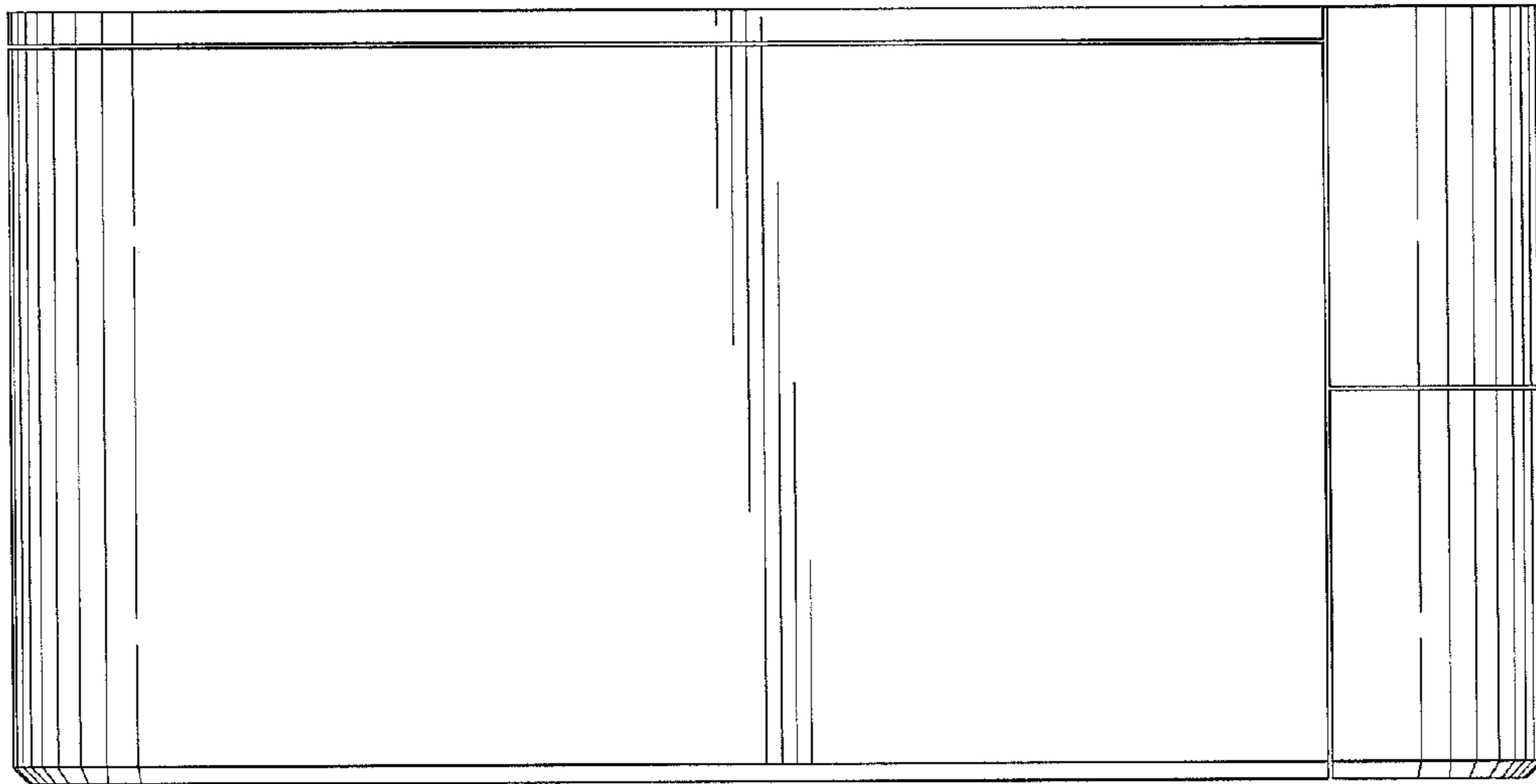


FIG. 5

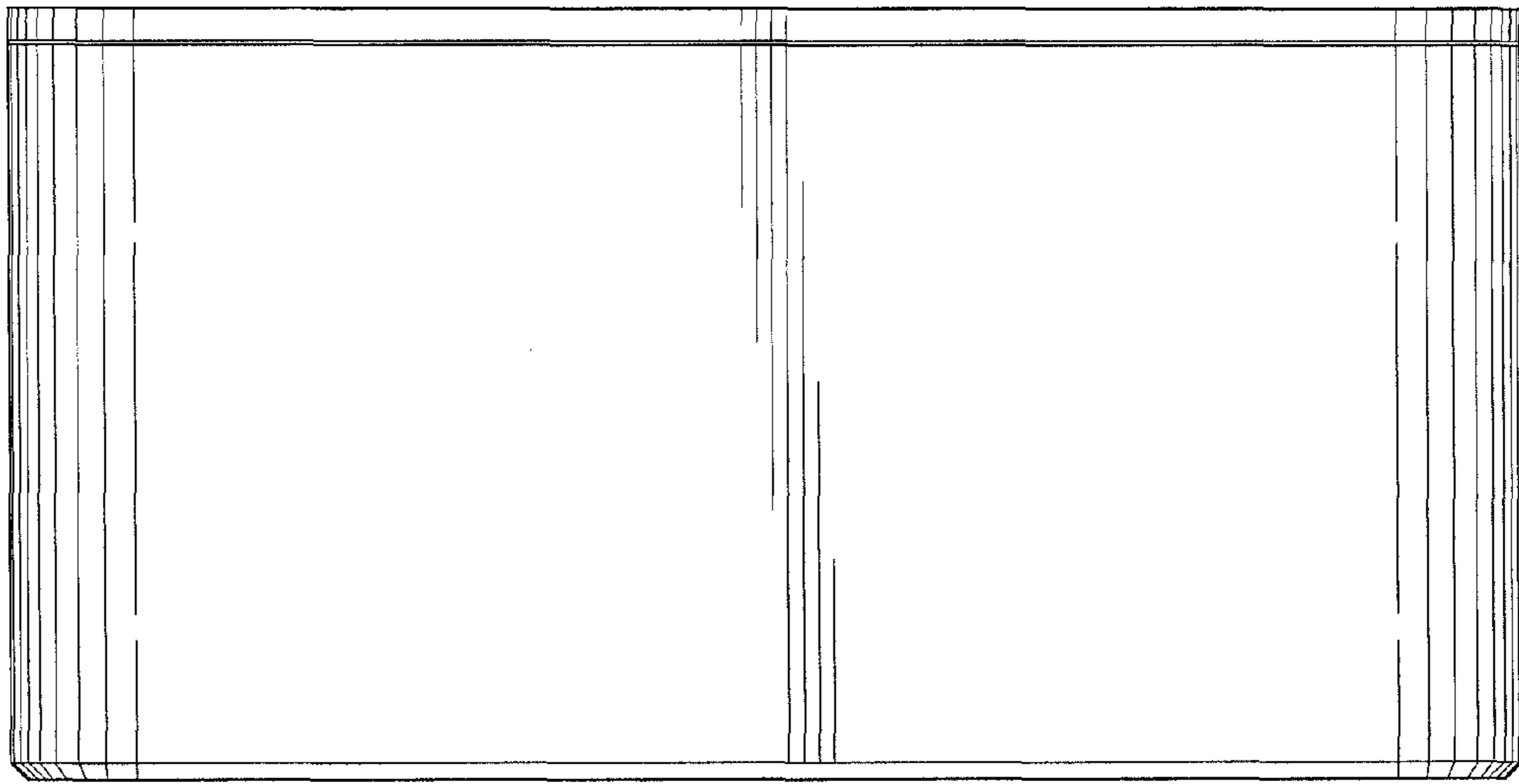


FIG. 6

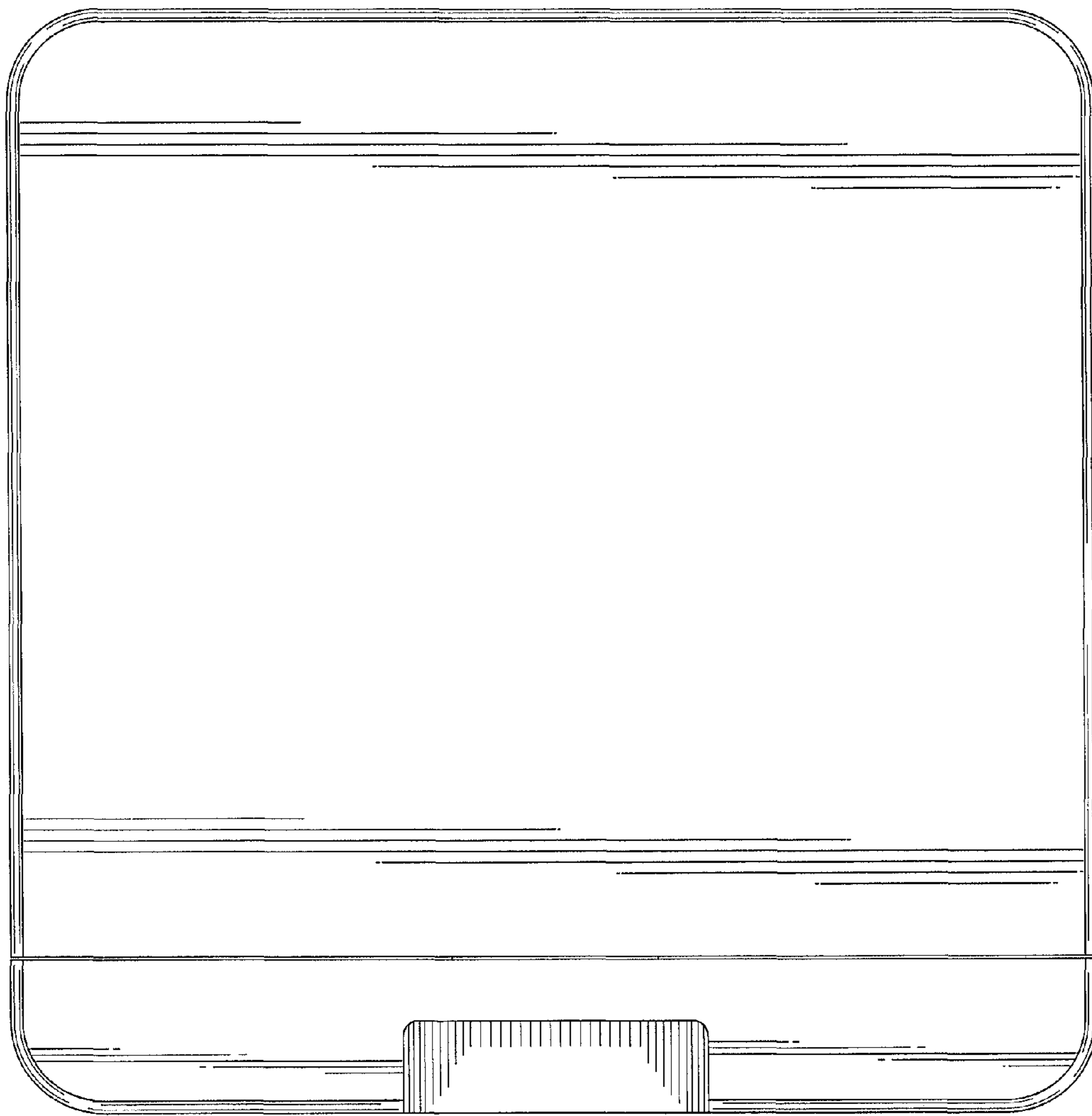


FIG. 7