



US00D722338S

(12) **United States Design Patent**
So et al.

(10) **Patent No.:** **US D722,338 S**

(45) **Date of Patent:** **** Feb. 10, 2015**

(54) **CASE FOR A PRINTER**

(71) Applicants: **Kwang-Hyuck So**, Seoul (KR);
Seung-Wook Jeong, Seoul (KR)

(72) Inventors: **Kwang-Hyuck So**, Seoul (KR);
Seung-Wook Jeong, Seoul (KR)

(73) Assignee: **Samsung Electronics Co., Ltd.**,
Suwon-si, Gyeonggi-do (KR)

(**) Term: **14 Years**

(21) Appl. No.: **29/456,843**

(22) Filed: **Jun. 4, 2013**

(30) **Foreign Application Priority Data**

Dec. 5, 2012 (KR) 30-2012-0058322

(51) **LOC (10) Cl.** **18-02**

(52) **U.S. Cl.**
USPC **D18/50**

(58) **Field of Classification Search**
USPC D18/36-37, 50, 54, 54.1, 55;
D14/420-425, 462-470; 400/613,
400/613.1-613.4, 690.1-690.4, 691-694

See application file for complete search history.

(56) **References Cited**

U.S. PATENT DOCUMENTS

D236,835	S	*	9/1975	Kramer et al.	D18/54
D270,732	S	*	9/1983	Brown et al.	D18/54
7,366,459	B2	*	4/2008	Nishimura	399/392
D660,908	S	*	5/2012	Leman et al.	D18/55
D681,107	S	*	4/2013	Larson et al.	D18/50

* cited by examiner

Primary Examiner — Cathy A MacCormac

(74) *Attorney, Agent, or Firm* — Flynn, Thiel, Boutell & Tanis, P.C.

(57) **CLAIM**

The ornamental design for a case for a printer, as shown and described.

DESCRIPTION

FIG. 1 is a top front perspective view of a case for a printer showing our new design;

FIG. 2 is a front view thereof;

FIG. 3 is a rear view thereof;

FIG. 4 is a left side view thereof;

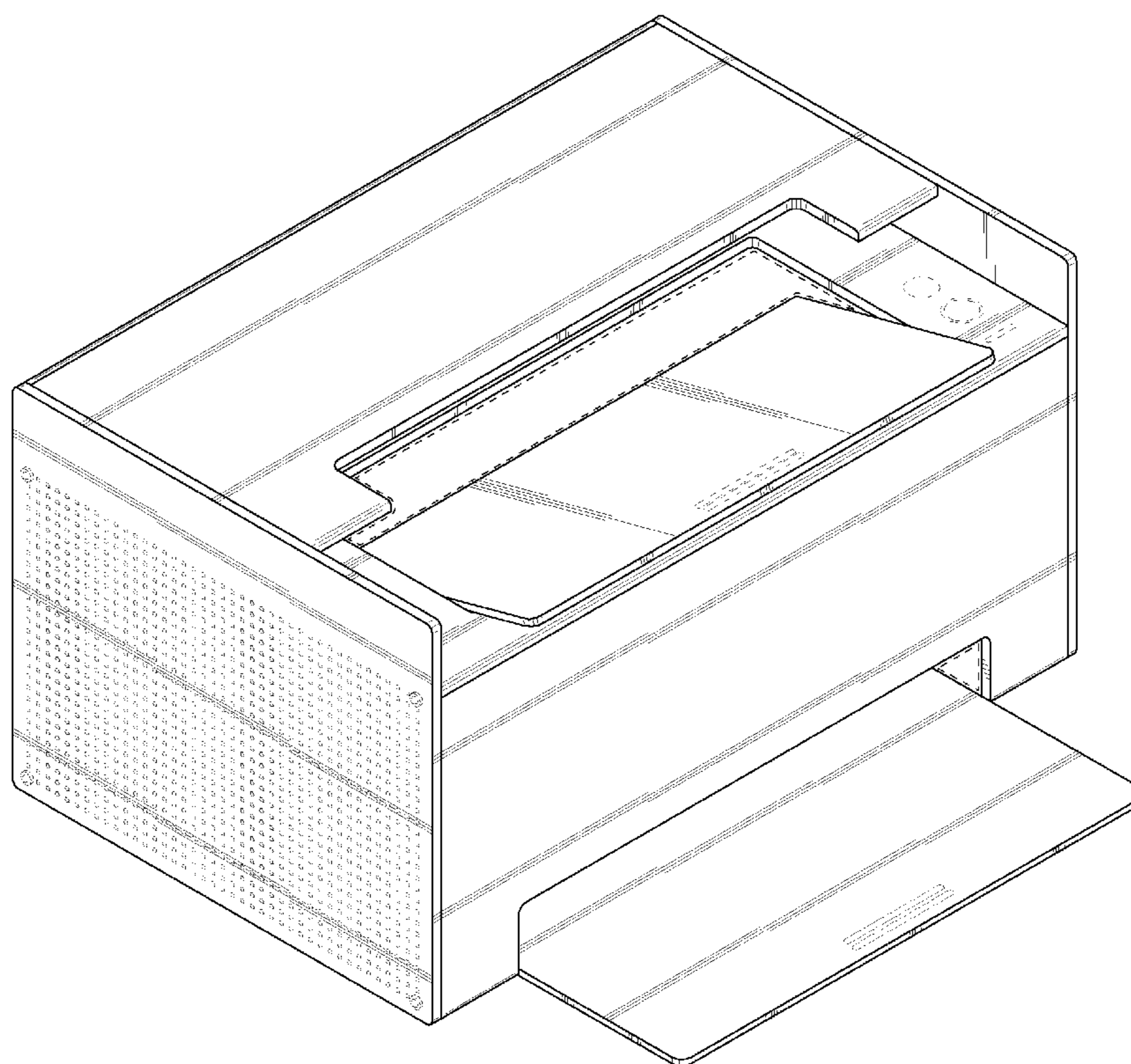
FIG. 5 is a right side view thereof;

FIG. 6 is a top view thereof; and,

FIG. 7 is a bottom view thereof.

The broken lines illustrating portions of the case for a printer are for environmental purposes only and form no part of the claimed design.

1 Claim, 5 Drawing Sheets



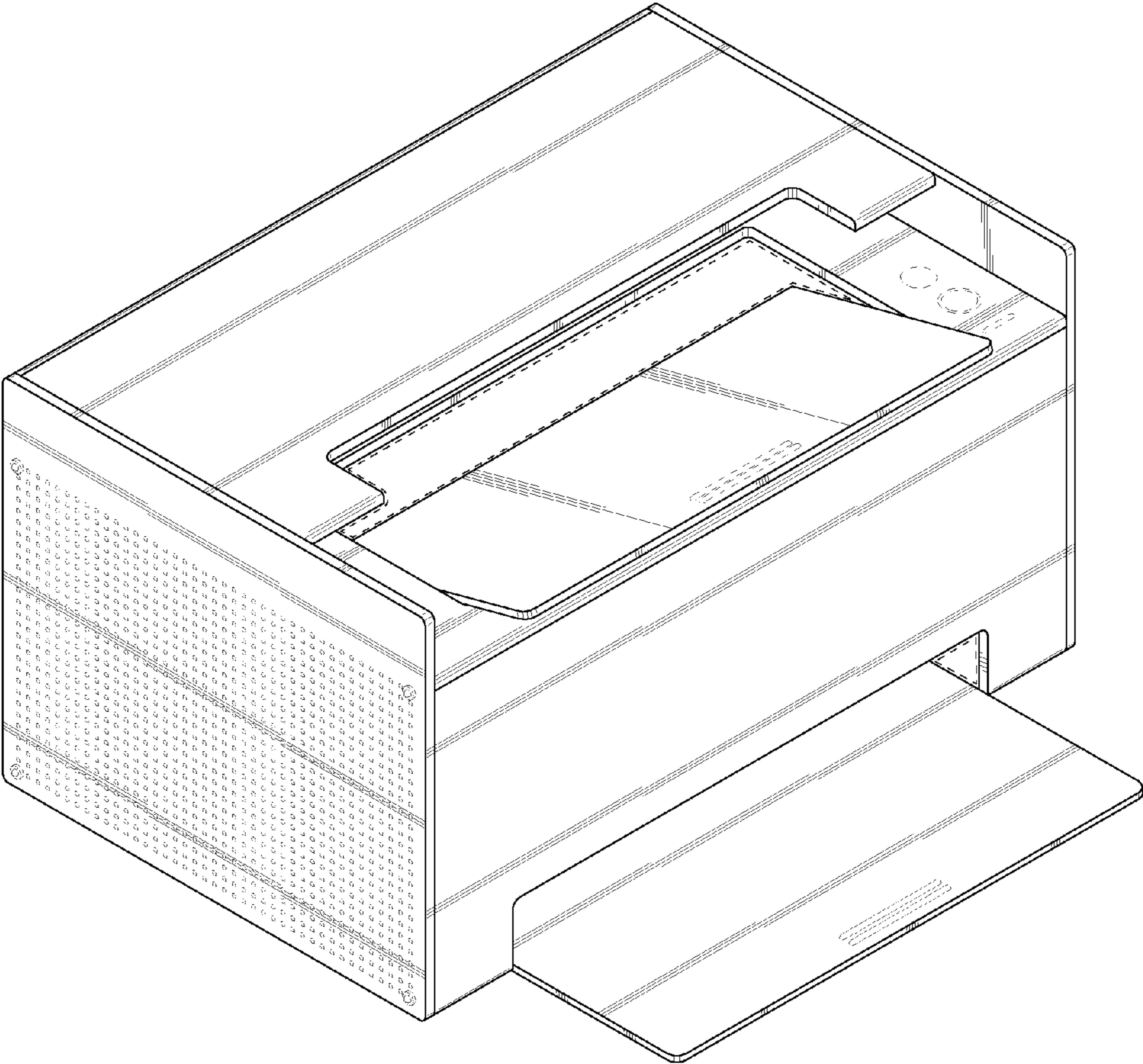


FIG.1

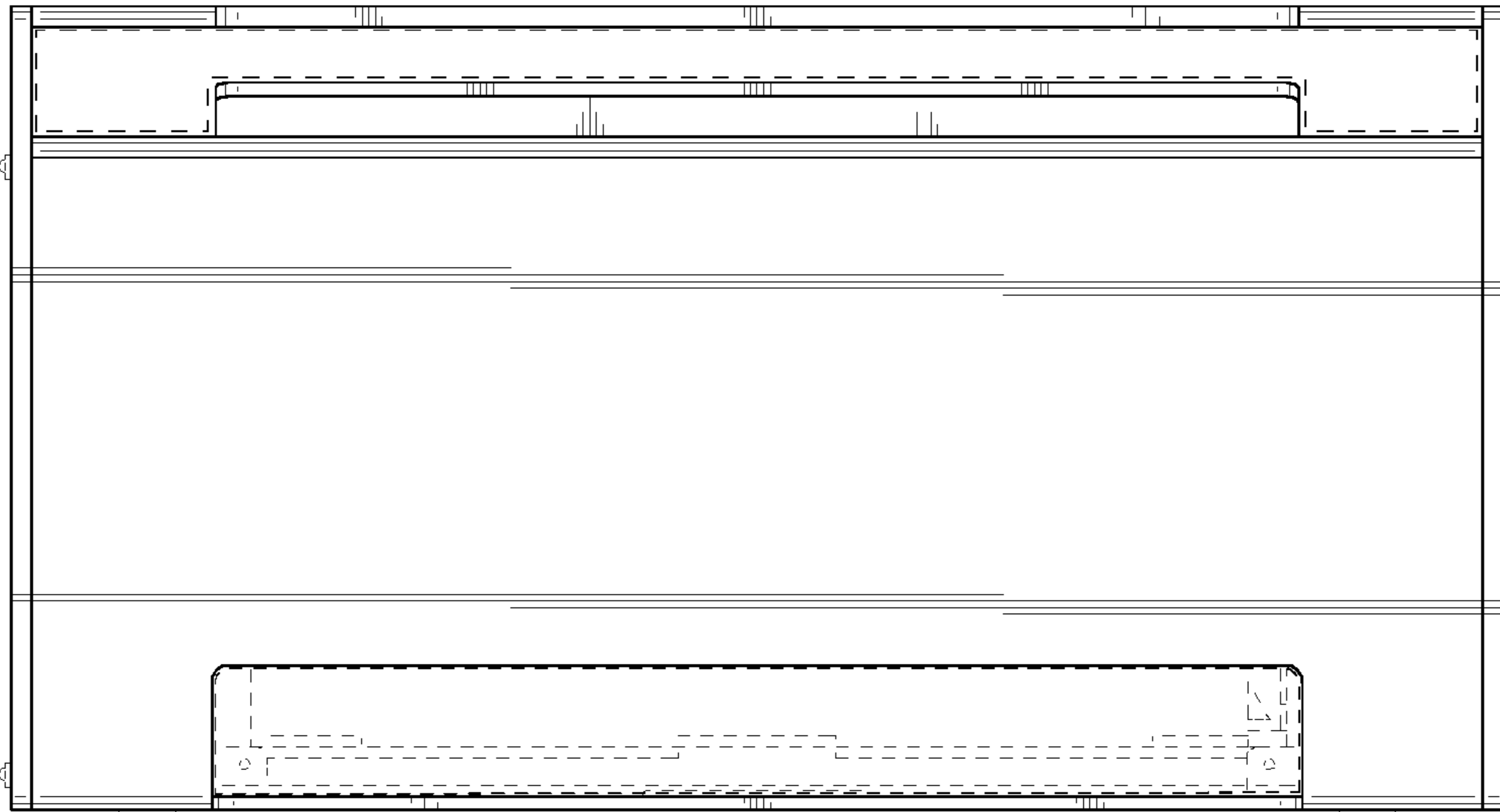


FIG.2

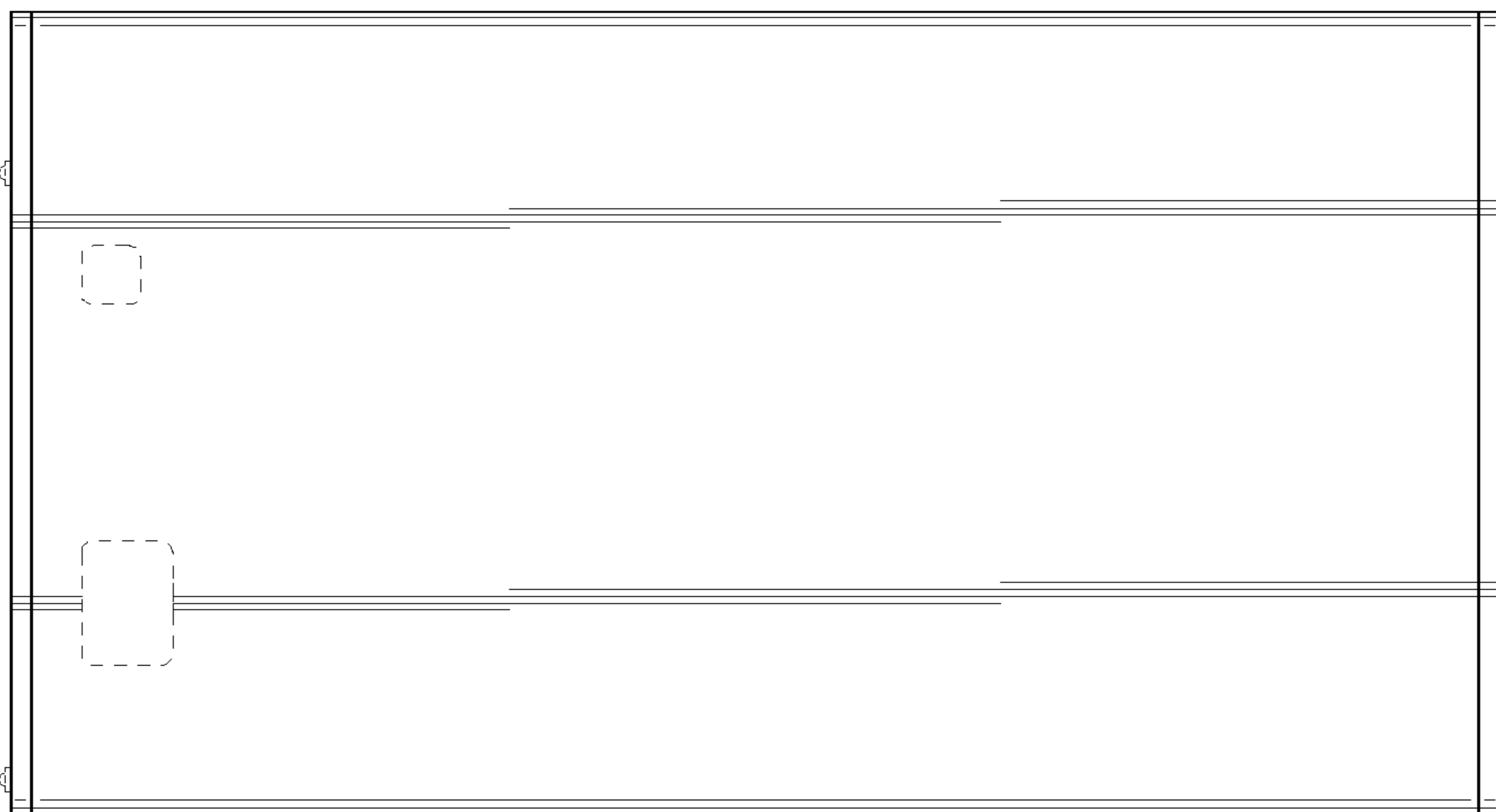


FIG.3

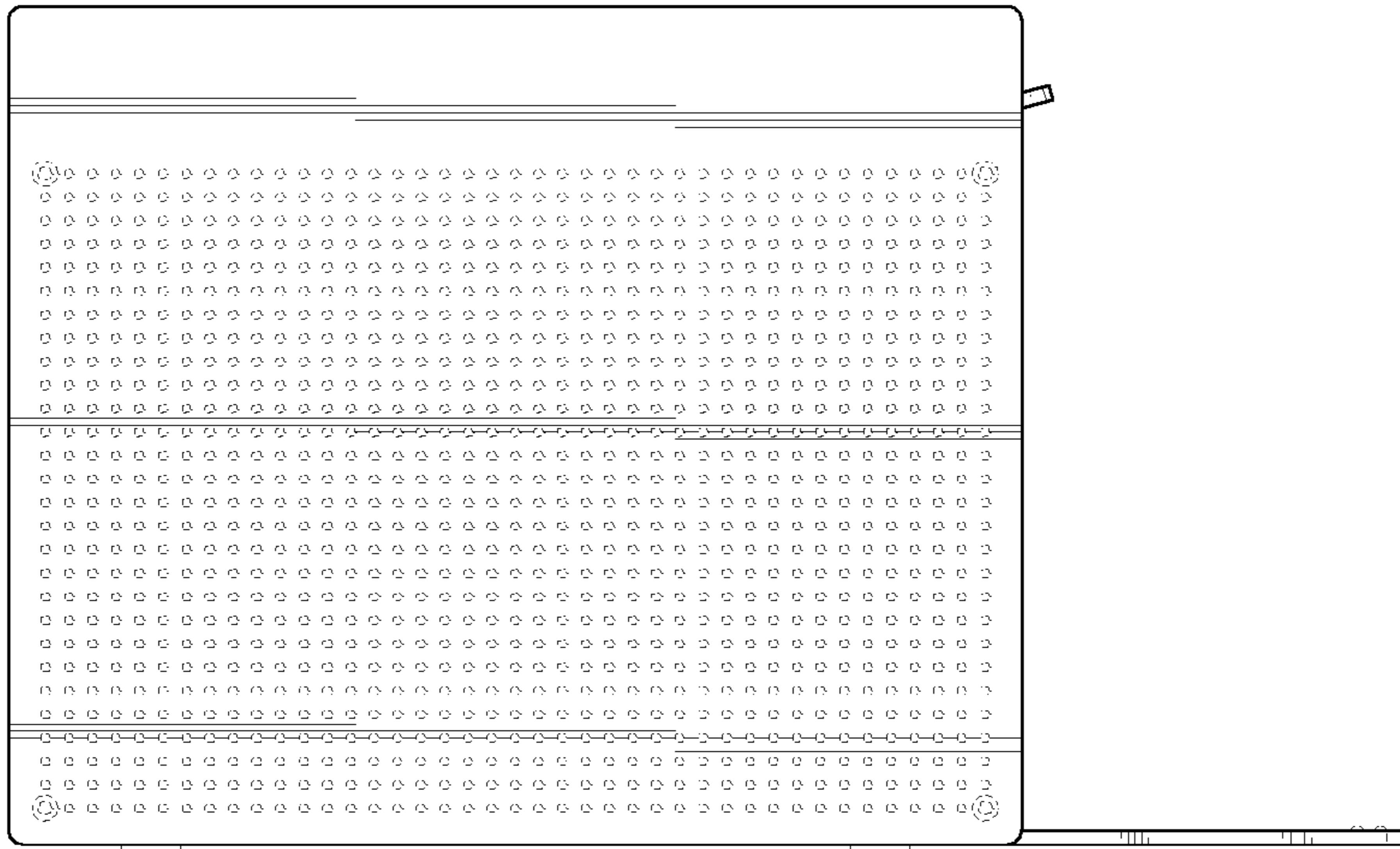


FIG. 4

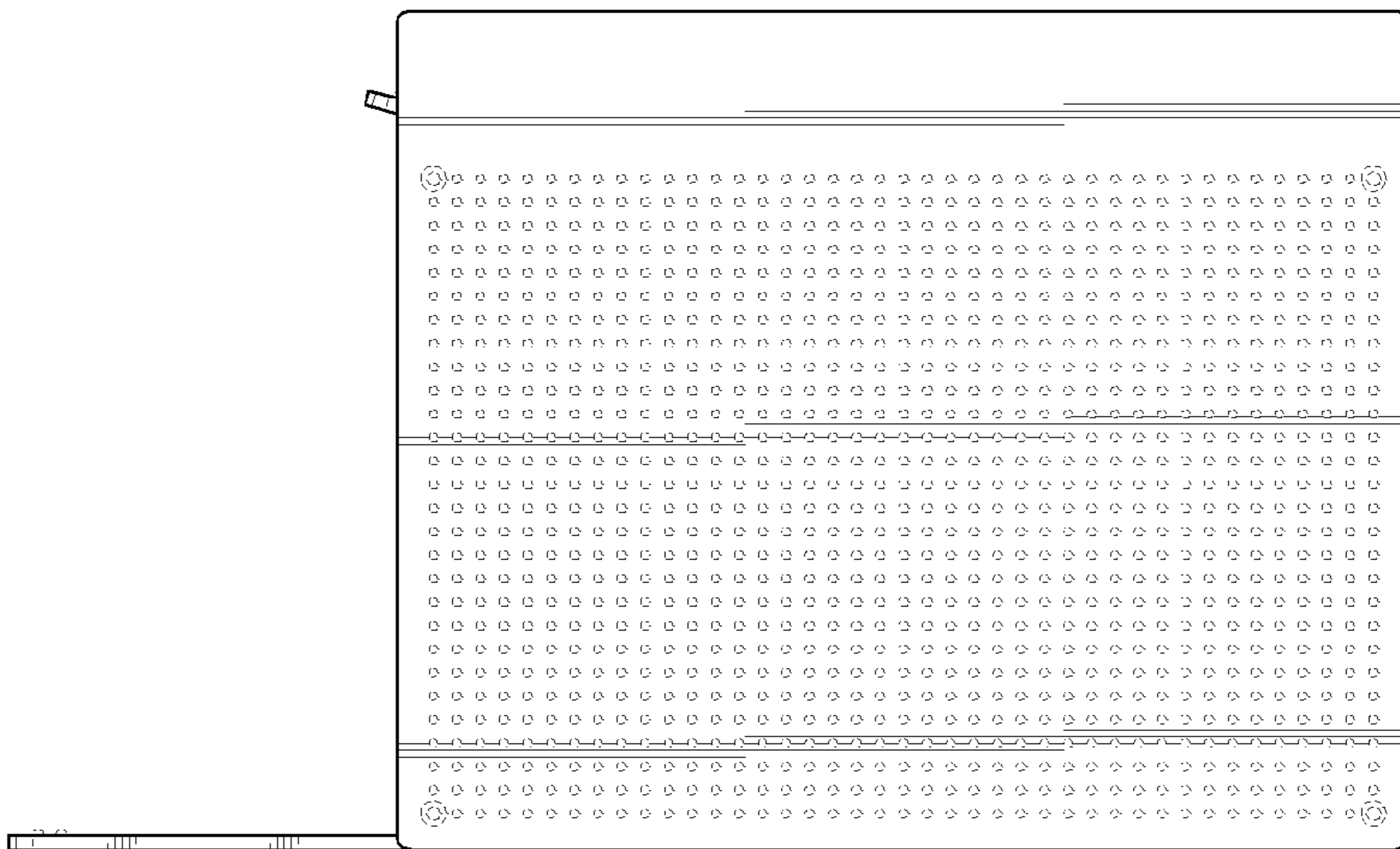


FIG. 5

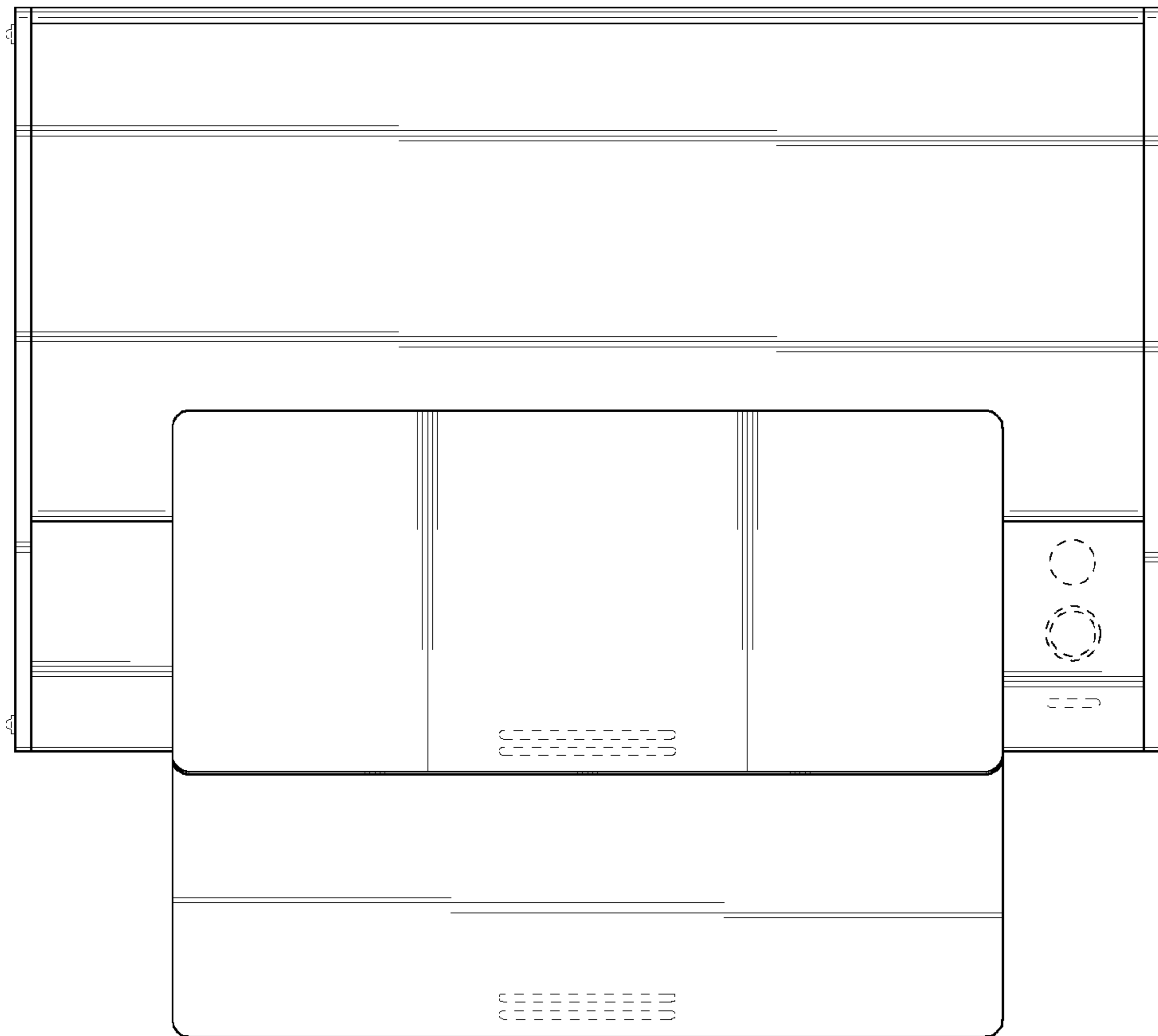


FIG.6

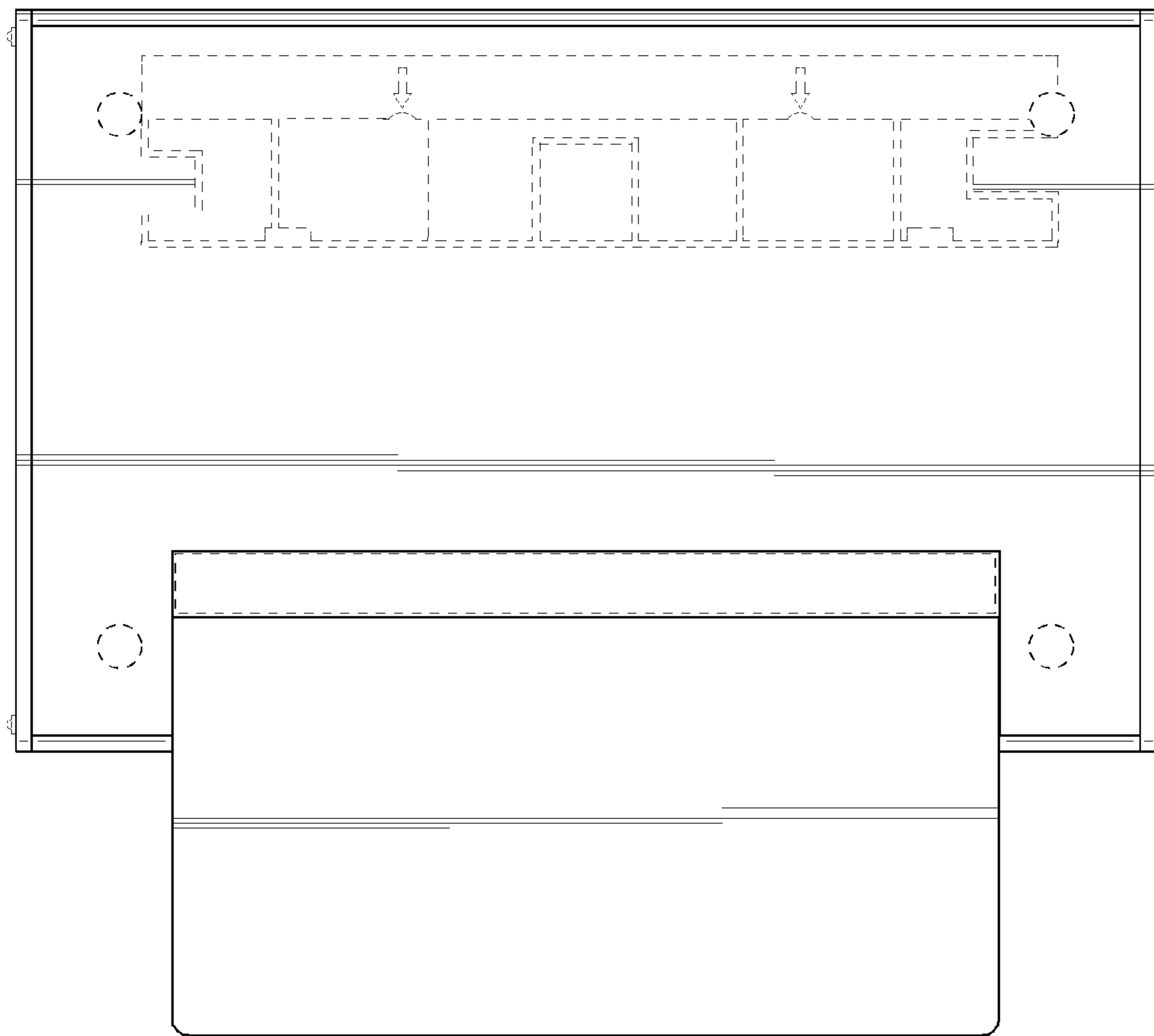


FIG.7