

US00D722337S

(12) **United States Design Patent**
Torimoto et al.

(10) **Patent No.:** **US D722,337 S**
(45) **Date of Patent:** **** Feb. 10, 2015**

(54) **TONER CARTRIDGE**

(71) Applicant: **Kyocera Document Solutions Inc.,**
Osaka (JP)

(72) Inventors: **Masaru Torimoto, Osaka (JP); Tatsuya**
Yamanaka, Osaka (JP)

(73) Assignee: **Kyocera Document Solutions Inc.,**
Osaka (JP)

(**) Term: **14 Years**

(21) Appl. No.: **29/460,366**

(22) Filed: **Jul. 10, 2013**

(30) **Foreign Application Priority Data**

Mar. 26, 2013 (JP) 2013-006565

(51) **LOC (10) Cl.** **16-03**

(52) **U.S. Cl.**
USPC **D18/43**

(58) **Field of Classification Search**
USPC D18/12, 36, 40, 43, 44, 54, 56;
D14/471; 347/49, 50, 197, 222;
399/11, 92, 106, 110, 113, 120, 127,
399/230, 254, 350, 353
See application file for complete search history.

(56) **References Cited**

U.S. PATENT DOCUMENTS

D451,538 S * 12/2001 Schwamkrug et al. D18/40
D525,289 S * 7/2006 Murata D18/43

7,424,245 B2 * 9/2008 Burchette et al. 399/109
D621,870 S * 8/2010 Eto D18/43
D653,283 S * 1/2012 Eto D18/43
2014/0119747 A1 * 5/2014 Umezawa 399/27
2014/0140737 A1 * 5/2014 Yamanaka 399/260
2014/0241759 A1 * 8/2014 Torimoto 399/263

* cited by examiner

Primary Examiner — Eric Goodman

Assistant Examiner — Amy Wierenga

(74) *Attorney, Agent, or Firm* — Young & Thompson

(57) **CLAIM**

The ornamental design for a toner cartridge, as shown and described.

DESCRIPTION

FIG. 1 is a perspective view of front, right and top of toner cartridge showing our new design;
FIG. 2 is a perspective view of rear, left and bottom thereof;
FIG. 3 is a front view thereof;
FIG. 4 is a rear view thereof;
FIG. 5 is a left side view thereof;
FIG. 6 is a right side view thereof;
FIG. 7 is a top view thereof; and,
FIG. 8 is a bottom view thereof.

The broken lines showing of the toner cartridge are included for the purpose of illustrating portions of the toner cartridge and form no part of the claimed design.

1 Claim, 5 Drawing Sheets

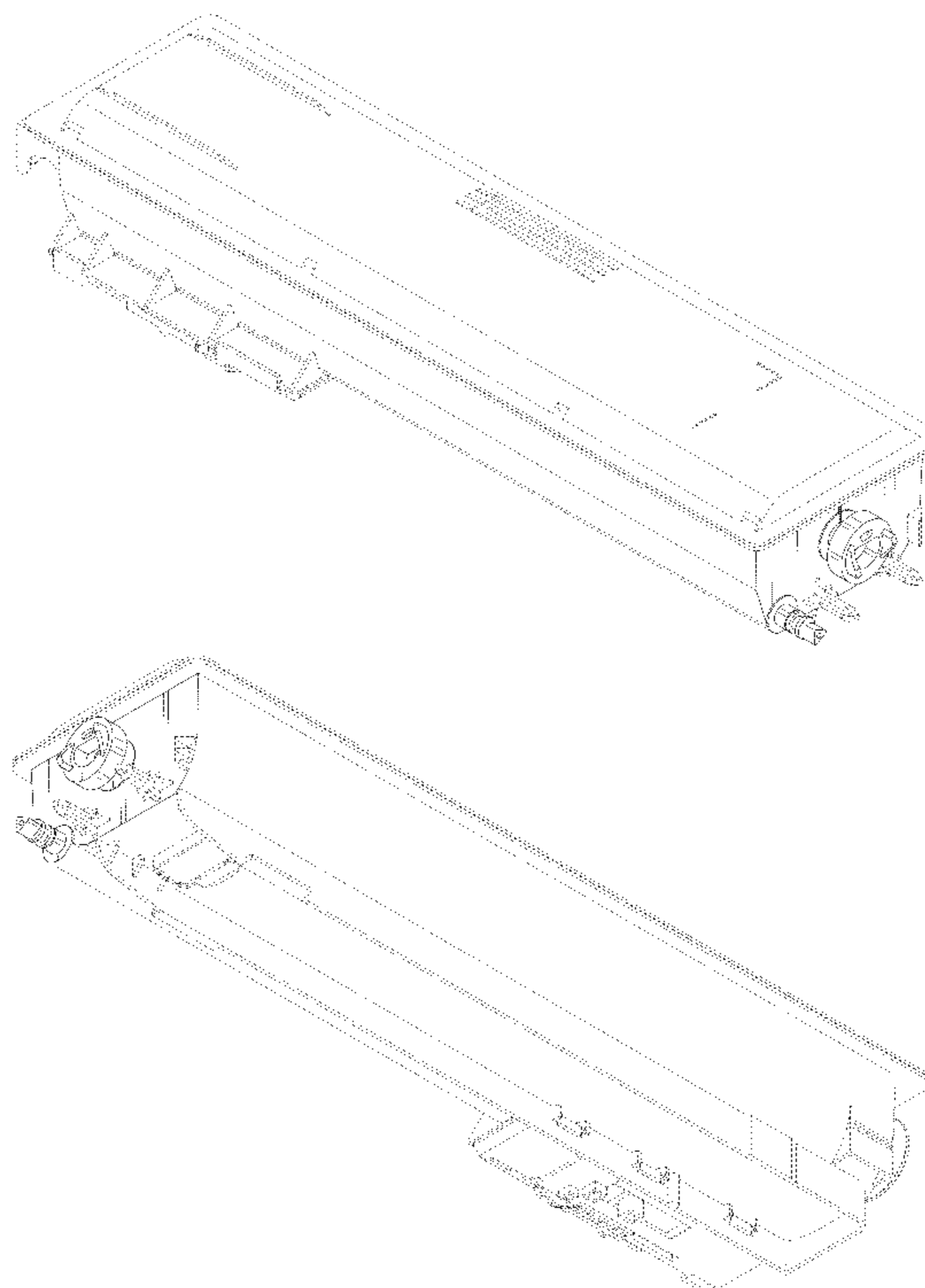


Fig. 1

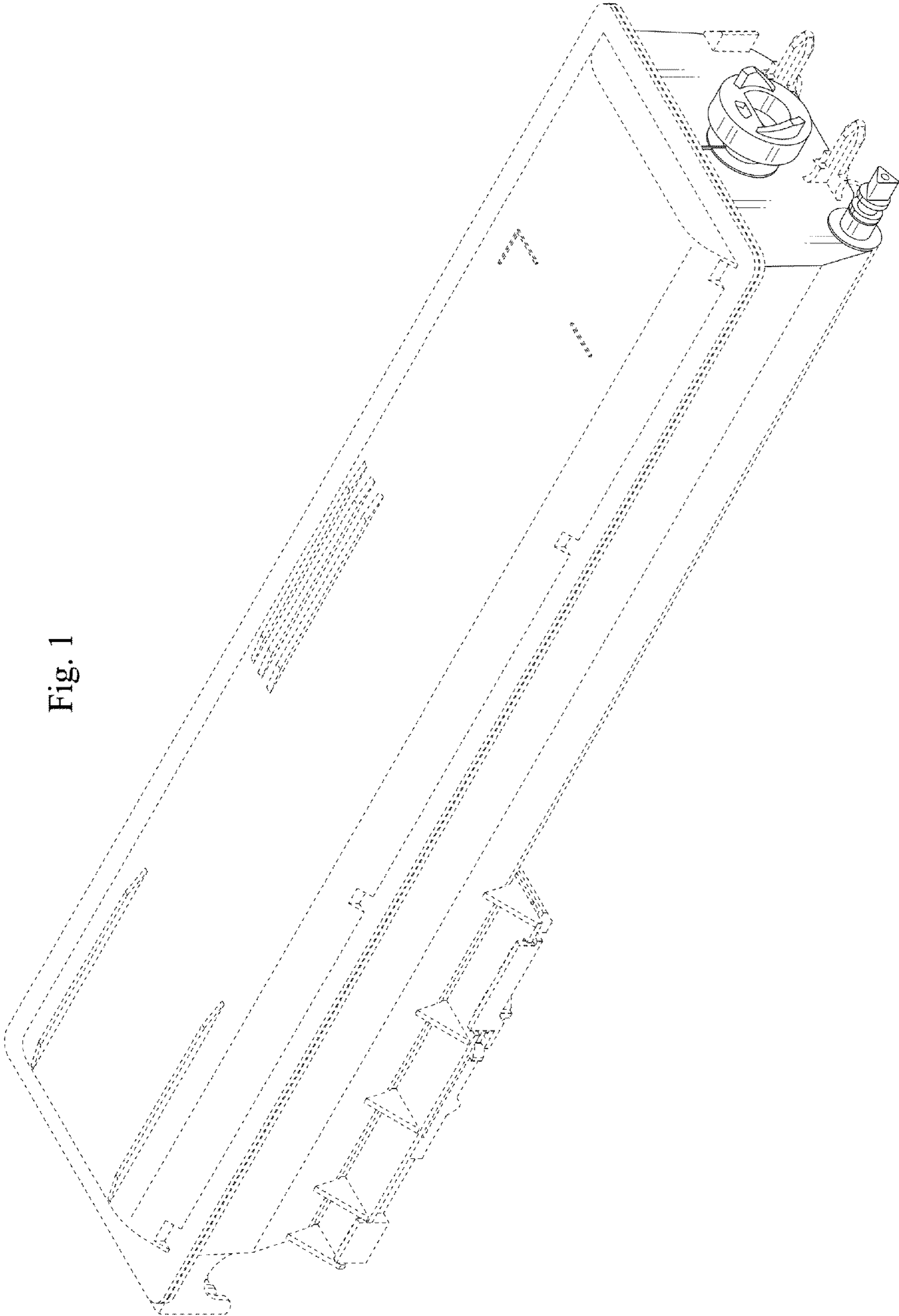


Fig. 2

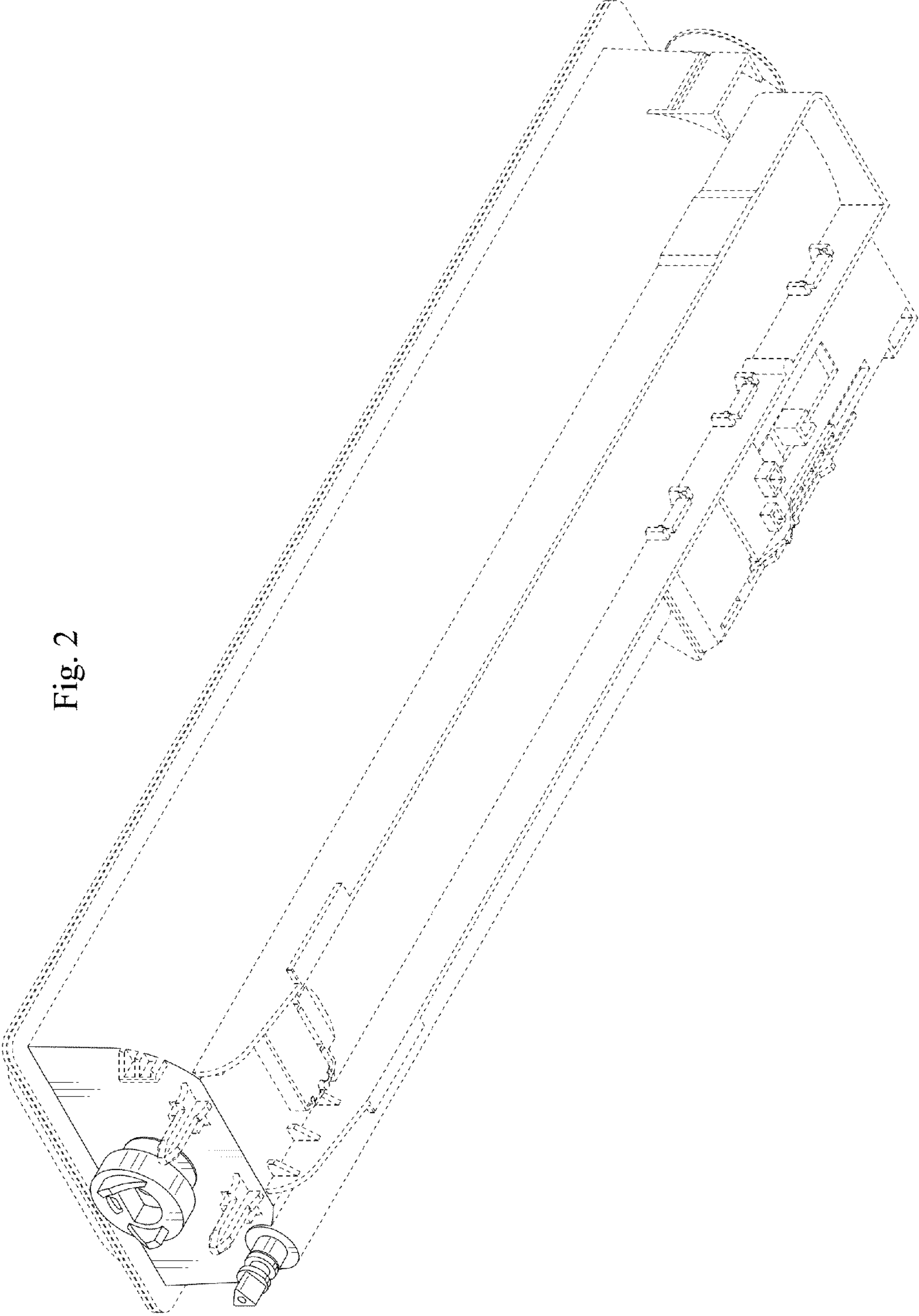


Fig. 3

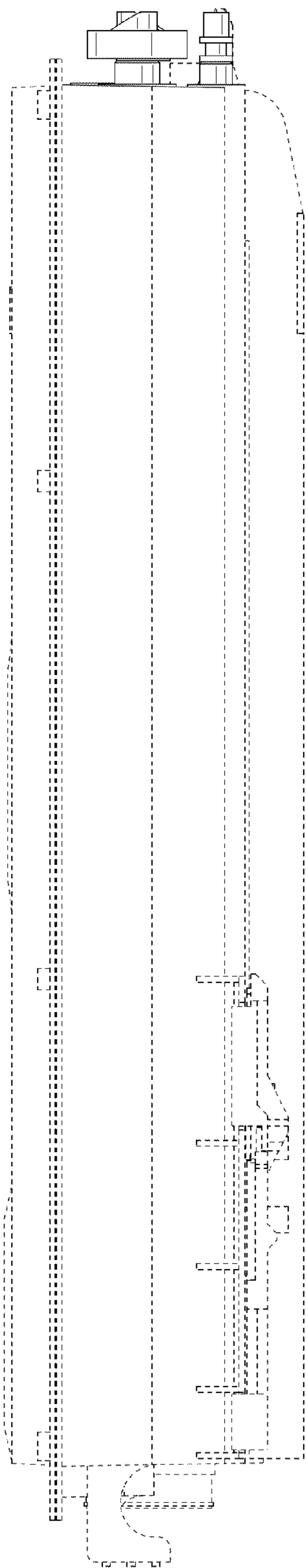


Fig. 4

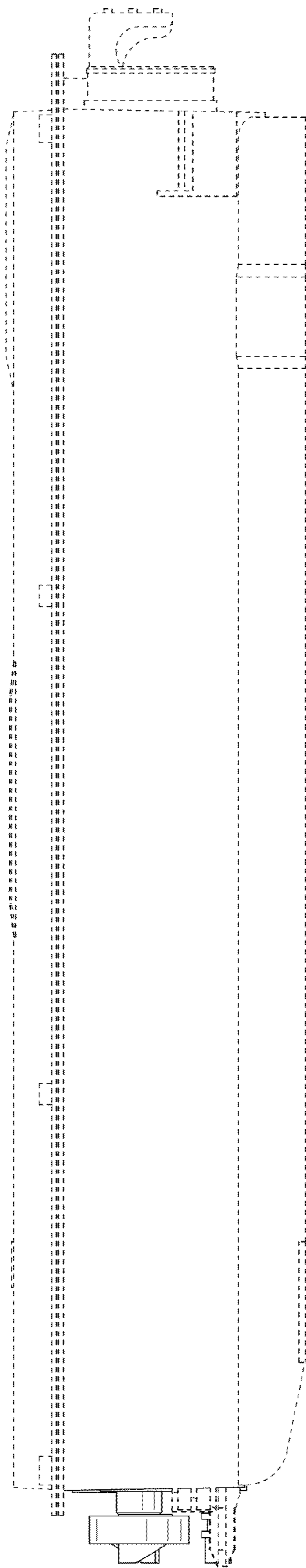


Fig. 6

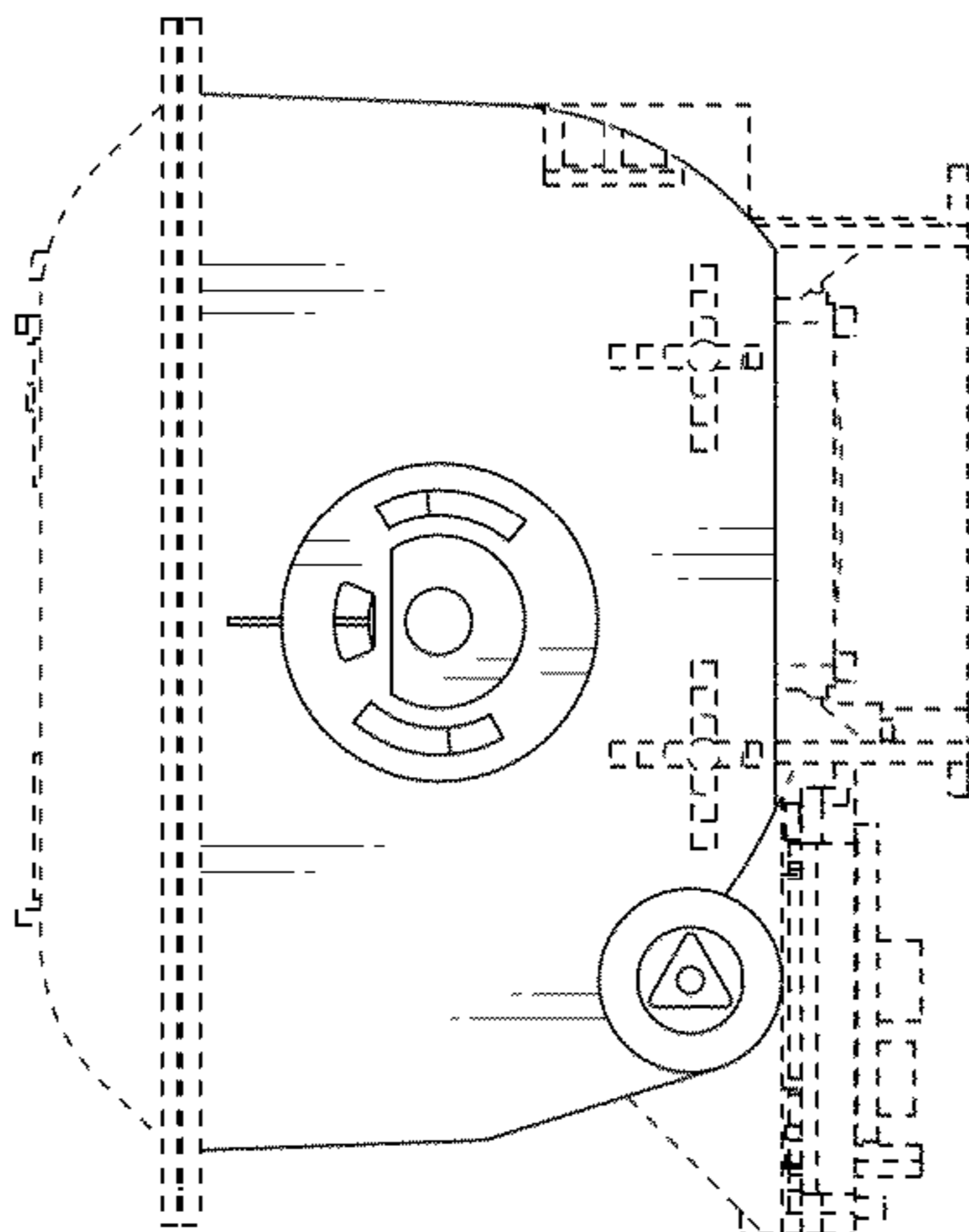
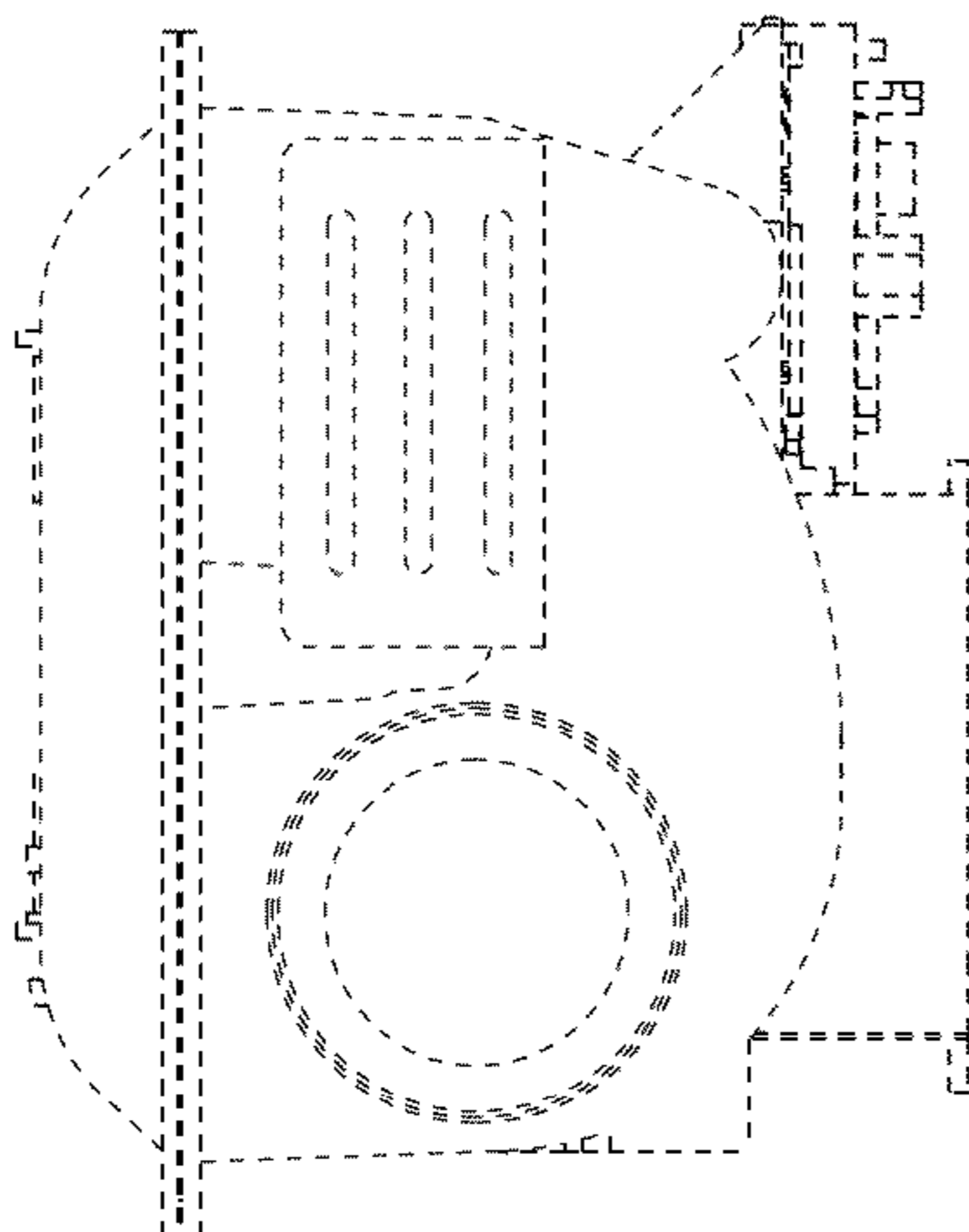


Fig. 5



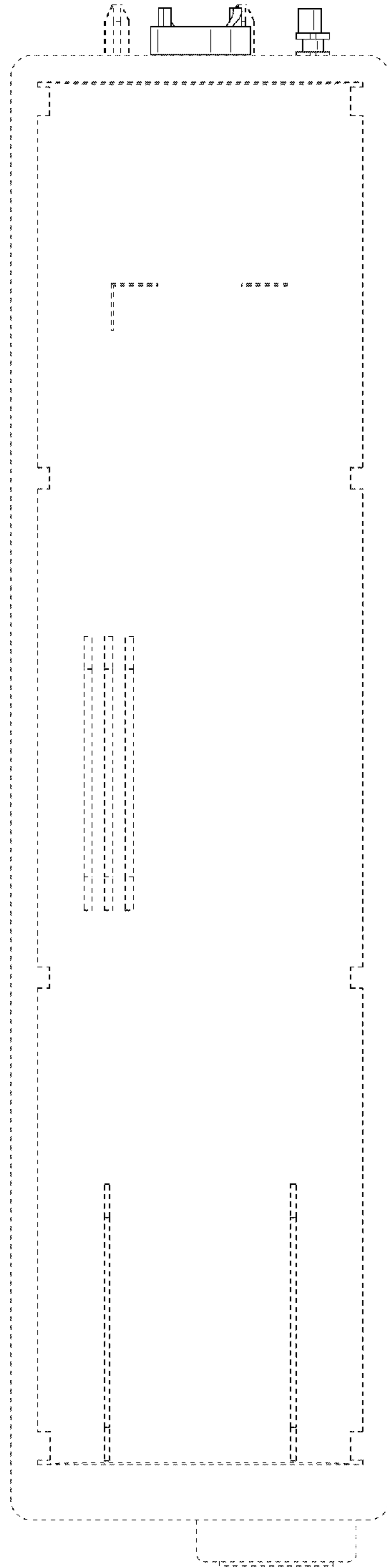


Fig. 7

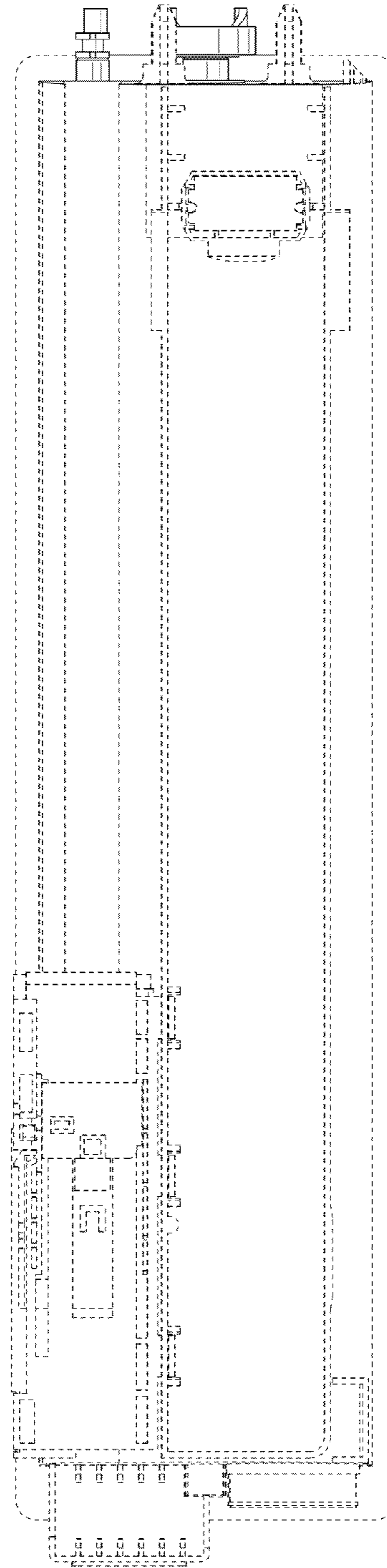


Fig. 8