



US00D722336S

(12) **United States Design Patent**  
**Suzuki**

(10) **Patent No.:** **US D722,336 S**

(45) **Date of Patent:** **\*\* Feb. 10, 2015**

(54) **IMAGE DRUM CARTRIDGE**

(75) Inventor: **Masayuki Suzuki**, Tokyo (JP)

(73) Assignee: **OKI Data Corporation**, Tokyo (JP)

(\*\*) Term: **14 Years**

(21) Appl. No.: **29/419,552**

(22) Filed: **Apr. 30, 2012**

(30) **Foreign Application Priority Data**

Oct. 31, 2011 (JP) ..... 2011-25079

(51) **LOC (10) CL.** ..... **16-03**

(52) **U.S. CL.**  
USPC ..... **D18/43**

(58) **Field of Classification Search**  
USPC ..... D14/471; D18/12, 36, 40, 43, 44, 56;  
222/DIG. 1; 347/197, 222; 399/24-28,  
399/107-112, 119, 121, 122, 222-224  
See application file for complete search history.

(56) **References Cited**

**U.S. PATENT DOCUMENTS**

D450,344 S \* 11/2001 Ito et al. .... D18/40  
D462,379 S \* 9/2002 Ito et al. .... D18/40  
D501,020 S \* 1/2005 Otani et al. .... D18/40  
6,882,811 B2 \* 4/2005 Fukuda et al. .... 399/111  
D529,076 S \* 9/2006 Kobayashi et al. .... D18/43

7,406,276 B2 \* 7/2008 Mimura et al. .... 399/122  
D581,974 S \* 12/2008 Mekada et al. .... D18/43  
D588,633 S \* 3/2009 Oda et al. .... D18/43  
D646,712 S \* 10/2011 Hashimoto et al. .... D18/43  
D657,413 S \* 4/2012 Hashimoto et al. .... D18/43  
2008/0175631 A1 \* 7/2008 Mimura et al. .... 399/286  
2012/0274992 A1 \* 11/2012 Suzuki ..... 358/474

\* cited by examiner

*Primary Examiner* — Elizabeth Albert

(74) *Attorney, Agent, or Firm* — Ladas & Parry LLP

(57) **CLAIM**

The ornamental design for an image drum cartridge, as shown and described.

**DESCRIPTION**

FIG. 1 is a perspective view thereof;  
FIG. 2 is another perspective view thereof;  
FIG. 3 is a front view thereof;  
FIG. 4 is a rear view thereof;  
FIG. 5 is a left side view thereof;  
FIG. 6 is a right side view thereof;  
FIG. 7 is a top plan view thereof; and,  
FIG. 8 is a bottom plan view thereof.  
The broken lines shown in FIGS. 3-8 are for illustration purposes only and form no part of the claimed design.

**1 Claim, 8 Drawing Sheets**

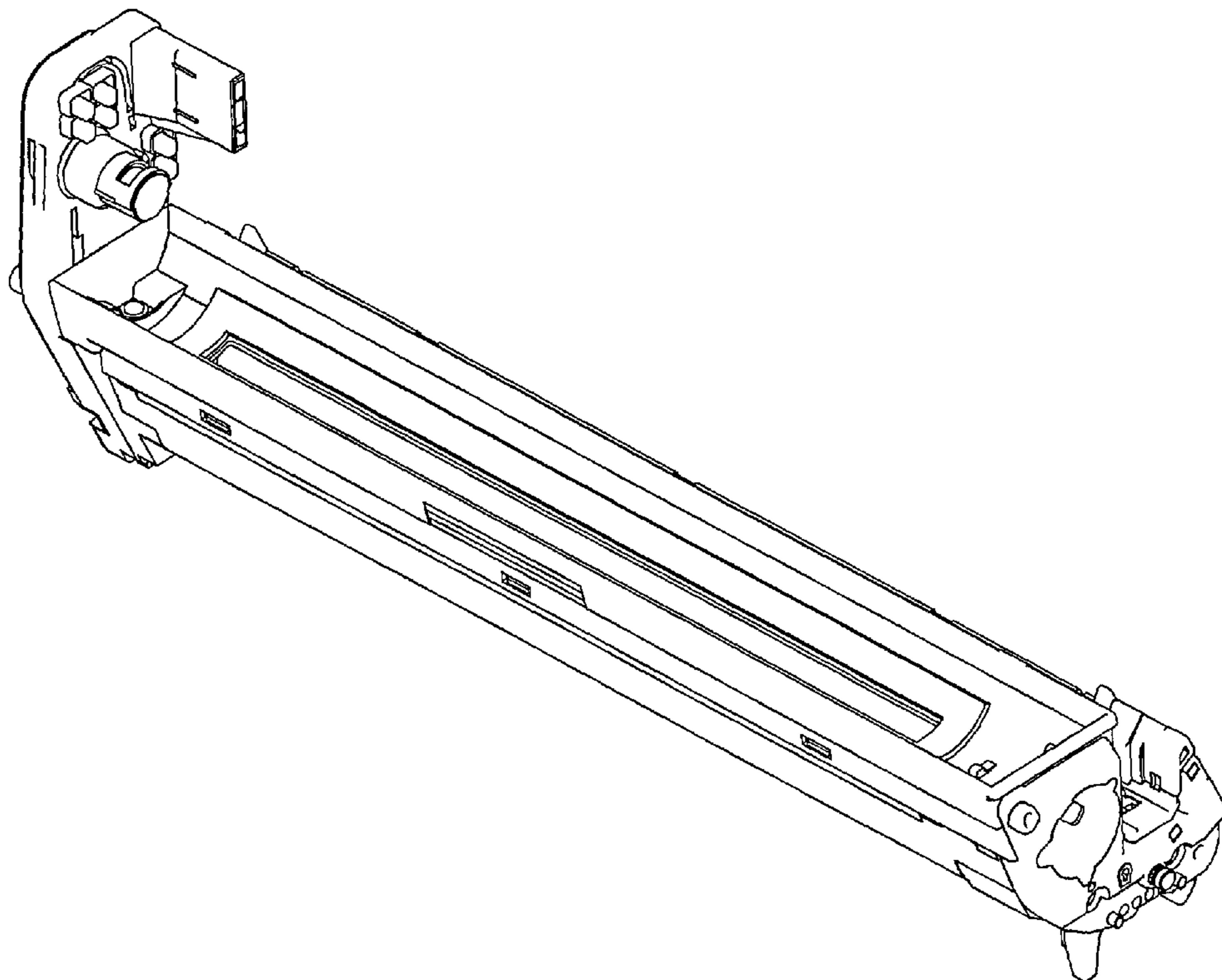
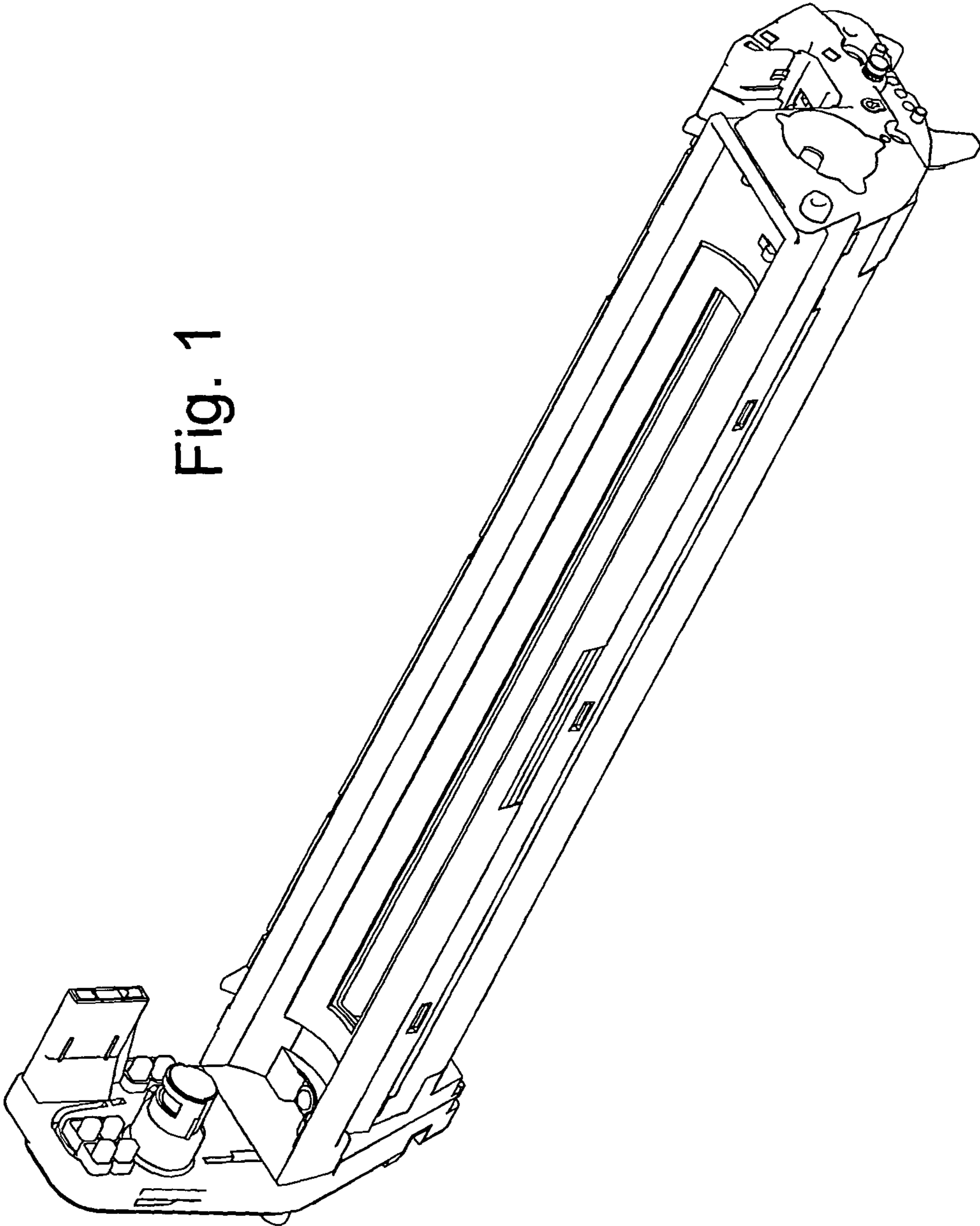


Fig. 1



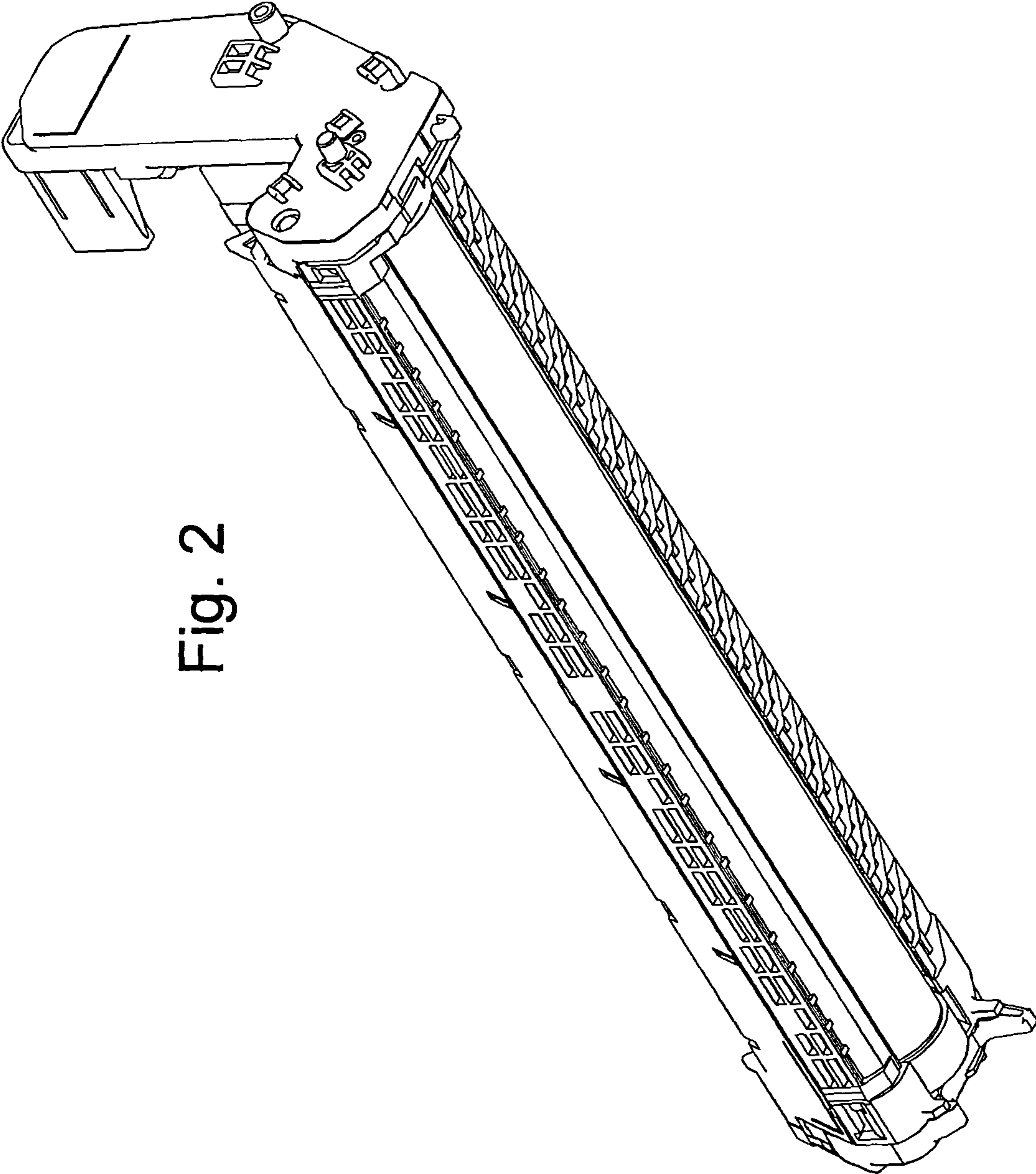


Fig. 2

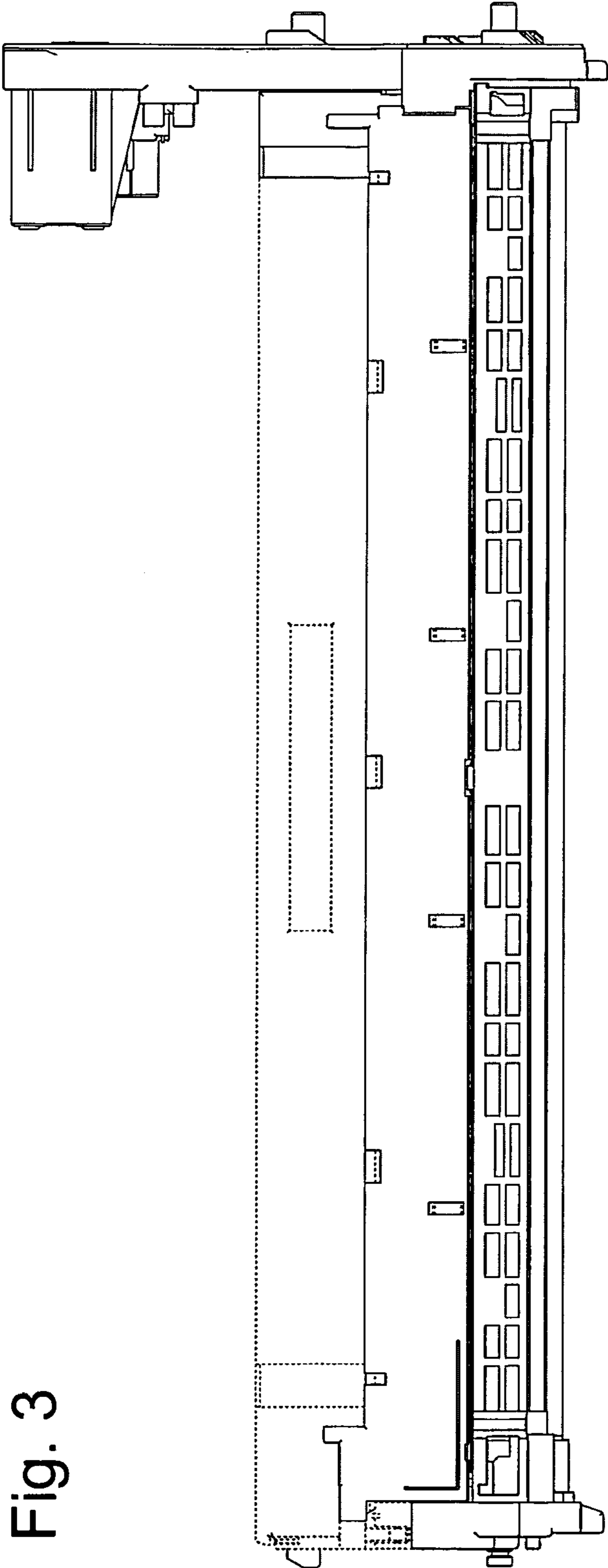


Fig. 3

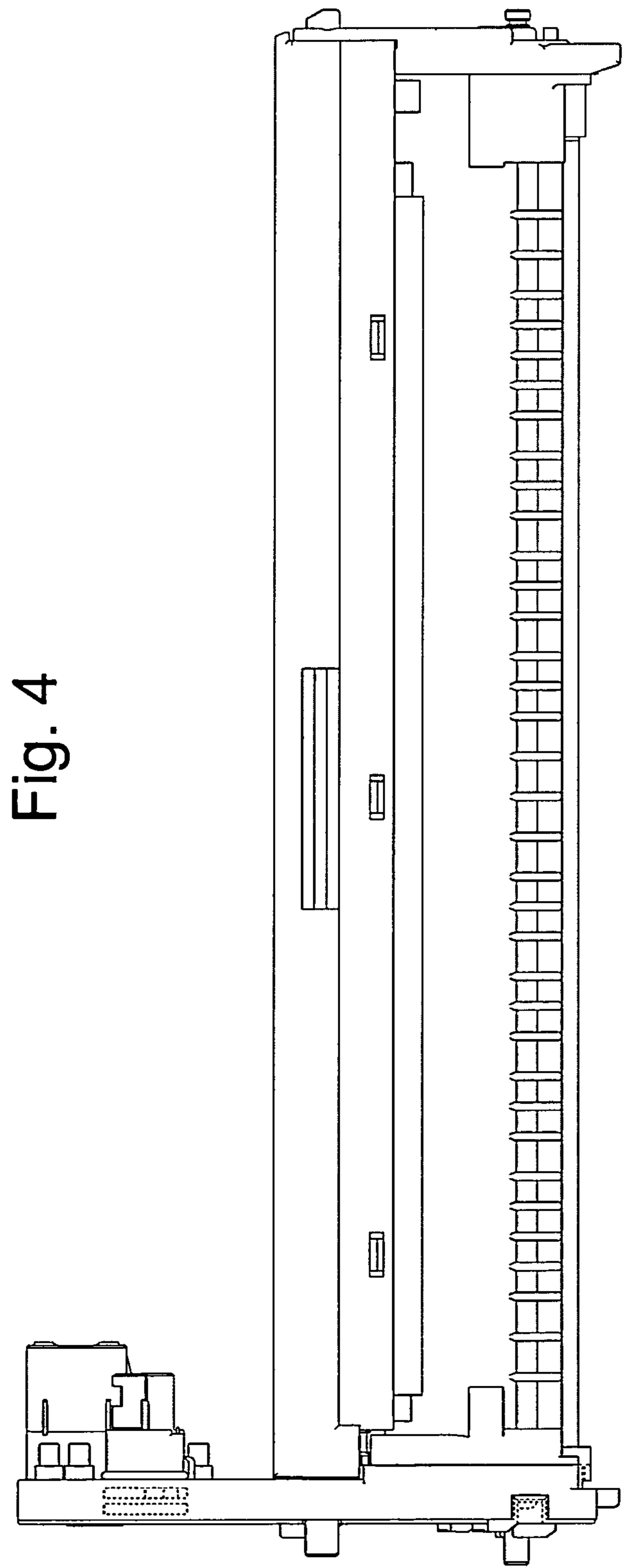


Fig. 4

Fig. 5

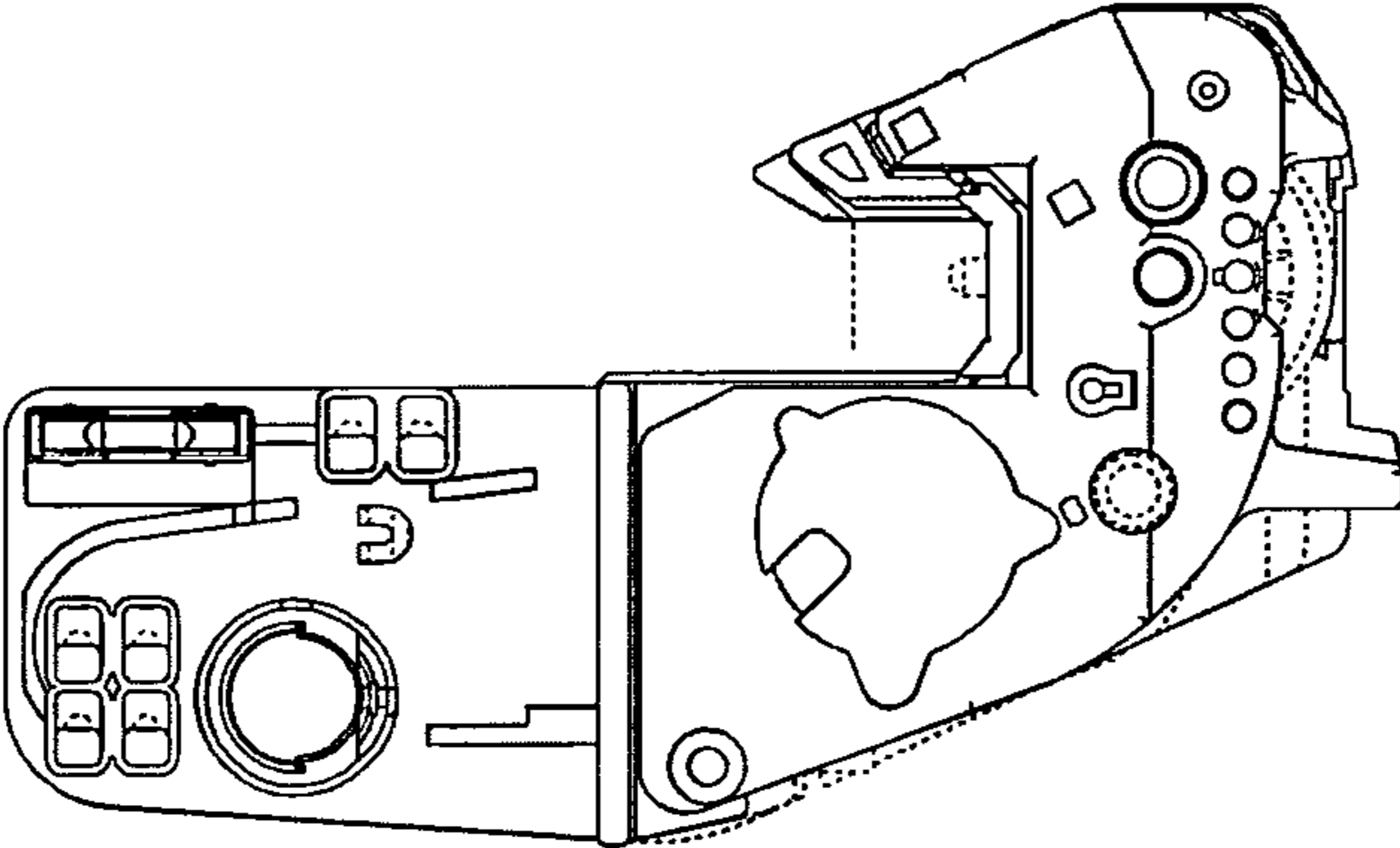


Fig. 6

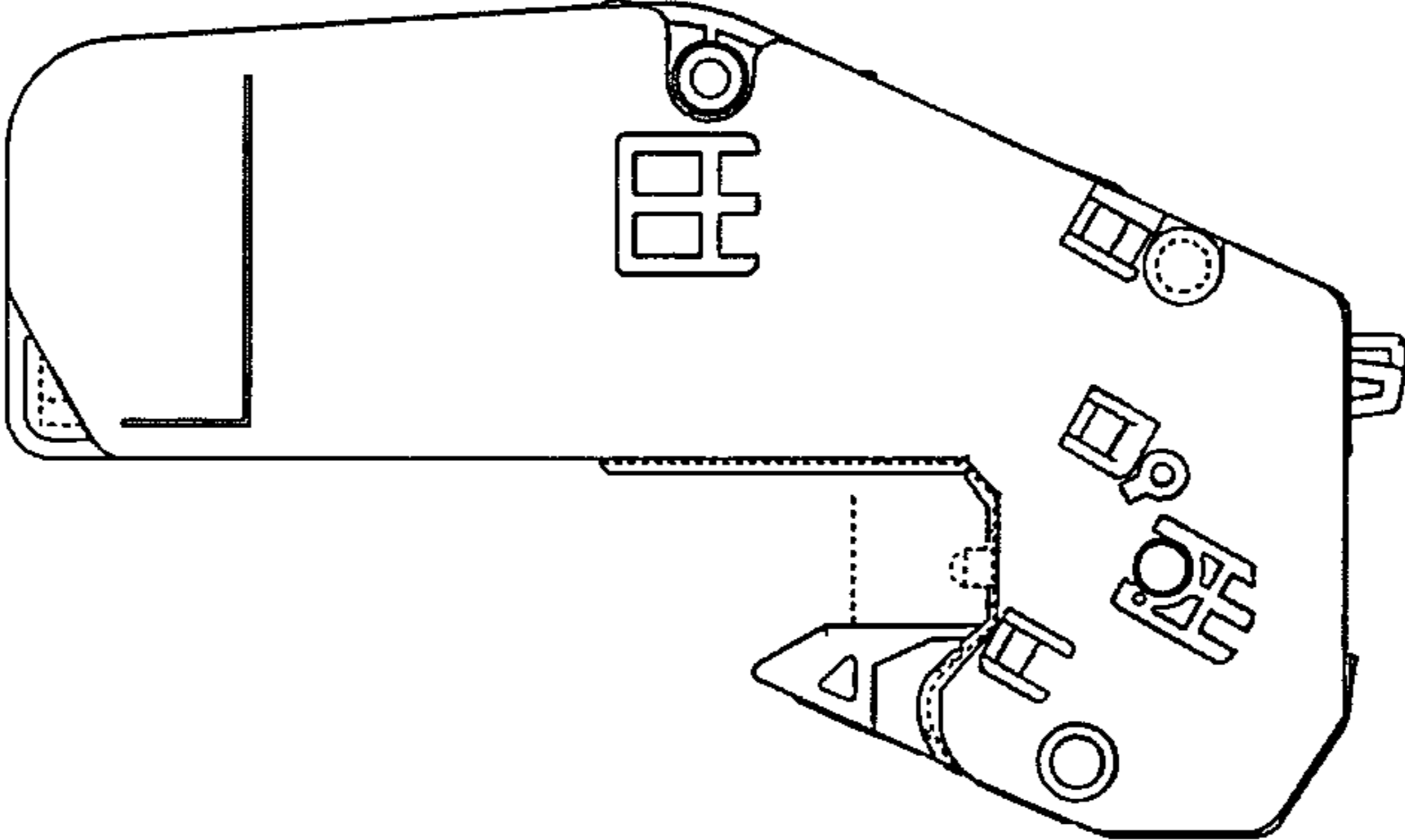
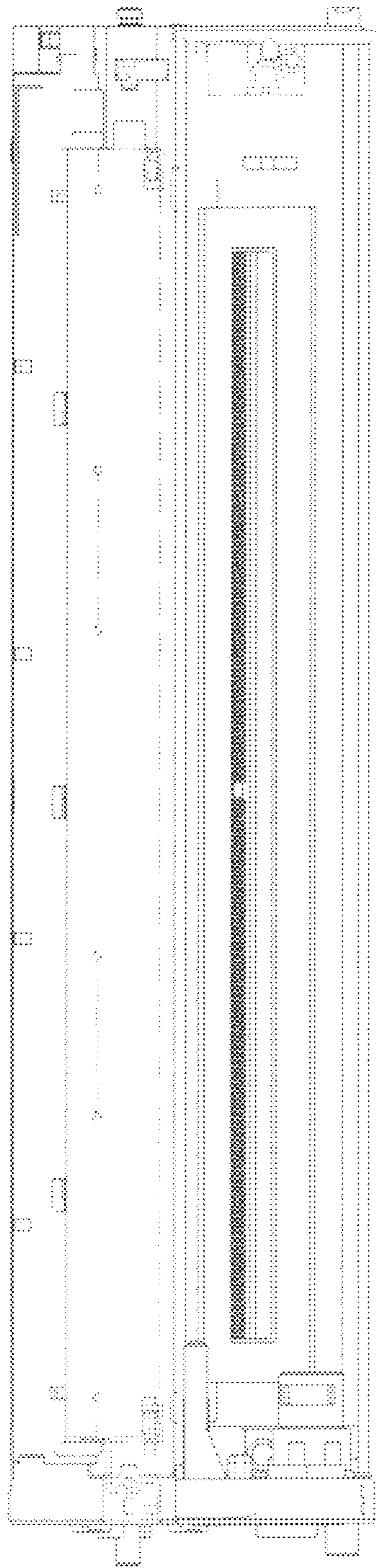


Fig. 7





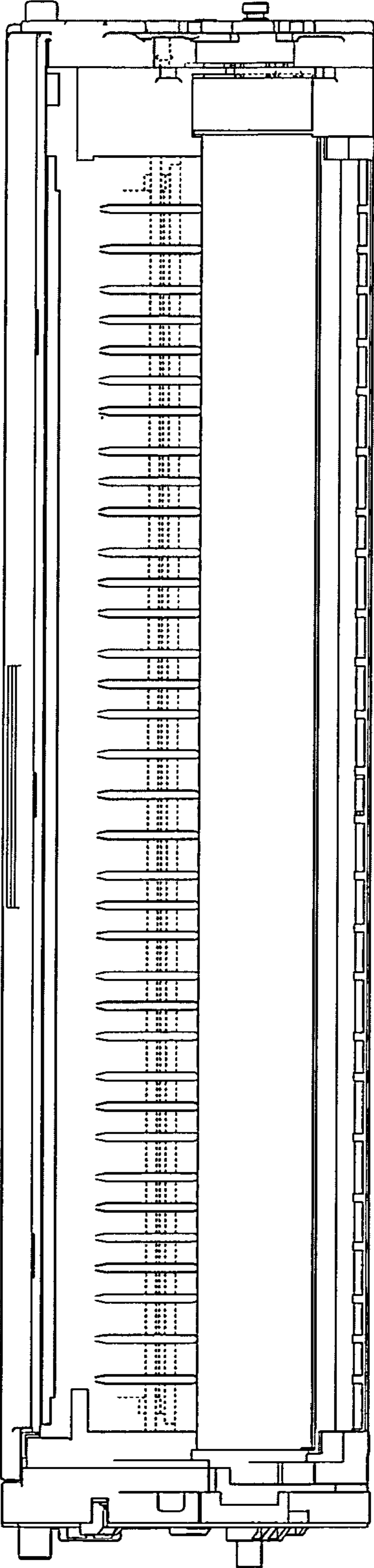


Fig. 8