



US00D722335S

(12) **United States Design Patent**
Spampinato

(10) **Patent No.:** **US D722,335 S**

(45) **Date of Patent:** **** Feb. 10, 2015**

(54) **TEMPLE SLEEVE**

(71) Applicant: **David Spampinato**, Rochester, NY (US)

(72) Inventor: **David Spampinato**, Rochester, NY (US)

(**) Term: **14 Years**

(21) Appl. No.: **29/445,295**

(22) Filed: **Feb. 9, 2013**

(51) **LOC (10) Cl.** **16-06**

(52) **U.S. Cl.**
USPC **D16/335**

(58) **Field of Classification Search**

CPC B43K 21/22; B43K 21/003; B43K 23/016;
B43K 23/00; B43K 23/008; B43K 23/10;
B43L 19/0081; B43L 19/0087; B43L 13/00;
A45C 11/34; B43M 99/008
USPC D16/320, 333, 332, 325, 326, 328, 321,
D16/318, 310, 309, 306, 300, 335, 334, 136,
D16/330, 336, 338, 340, 341, 339, 327, 323,
D16/303, 329, 301, 337, 342, 316, 304;
24/58; D11/82, 49, 57, 58, 239, 224,
D11/208, 133, 95, 33; 2/12, 442, 445, 447,
2/448; 351/124, 69, 41, 137, 138, 139,
351/131, 132, 136, 65, 76, 78, 79, 87, 88;
D3/219; D20/22, 40; D5/63, 56;
D8/19, 16, 366; 383/210; D22/108,
D22/199; D19/133, 116, 115, 187, 176,
D19/926, 930, 909; D6/654.2, 641; 401/92
See application file for complete search history.

(56) **References Cited**

U.S. PATENT DOCUMENTS

D186,912 S * 12/1959 Knowles D16/341
D322,446 S 12/1991 Bell, Jr.
5,440,355 A 8/1995 Ross
D416,571 S * 11/1999 Lange, Jr. D16/306
D422,309 S * 4/2000 Bond D19/36
6,276,854 B1 * 8/2001 Mullins 401/88
6,948,251 B2 * 9/2005 Jebe et al. 30/452

(Continued)

OTHER PUBLICATIONS

Rexel Blackedge found on Sep. 16, 2014 posted on Feb. 20, 2006 by
<http://www.pencilrevolution.com/2006/02/>.*

Primary Examiner — Robert M Spear

Assistant Examiner — Eliza Bennett-Hattan

(74) *Attorney, Agent, or Firm* — Tracy Jong Law Firm;
Tracy P. Jong; Cheng Ning Jong

(57) **CLAIM**

The ornamental design for a temple sleeve, as shown and described.

DESCRIPTION

FIG. 1 is a top right front perspective view of a temple sleeve installed on a temple of a pair of glasses, covering the temple in its entirety.

FIG. 2 is a top left front perspective view thereof.

FIG. 3 is a top orthogonal view thereof.

FIG. 4 is a bottom orthogonal view thereof.

FIG. 5 is a right side orthogonal view thereof.

FIG. 6 is an alternate top right front perspective view of a temple sleeve installed on a wide temple of a pair of glasses, covering the temple in its entirety.

FIG. 7 is a top left front perspective view thereof.

FIG. 8 is a right side orthogonal view thereof.

FIG. 9 is a top right front perspective view of an uninstalled temple sleeve.

FIG. 10 is a top left front perspective view thereof.

FIG. 11 is a top orthogonal view thereof.

FIG. 12 is a bottom orthogonal view thereof.

FIG. 13 is a right side orthogonal view thereof.

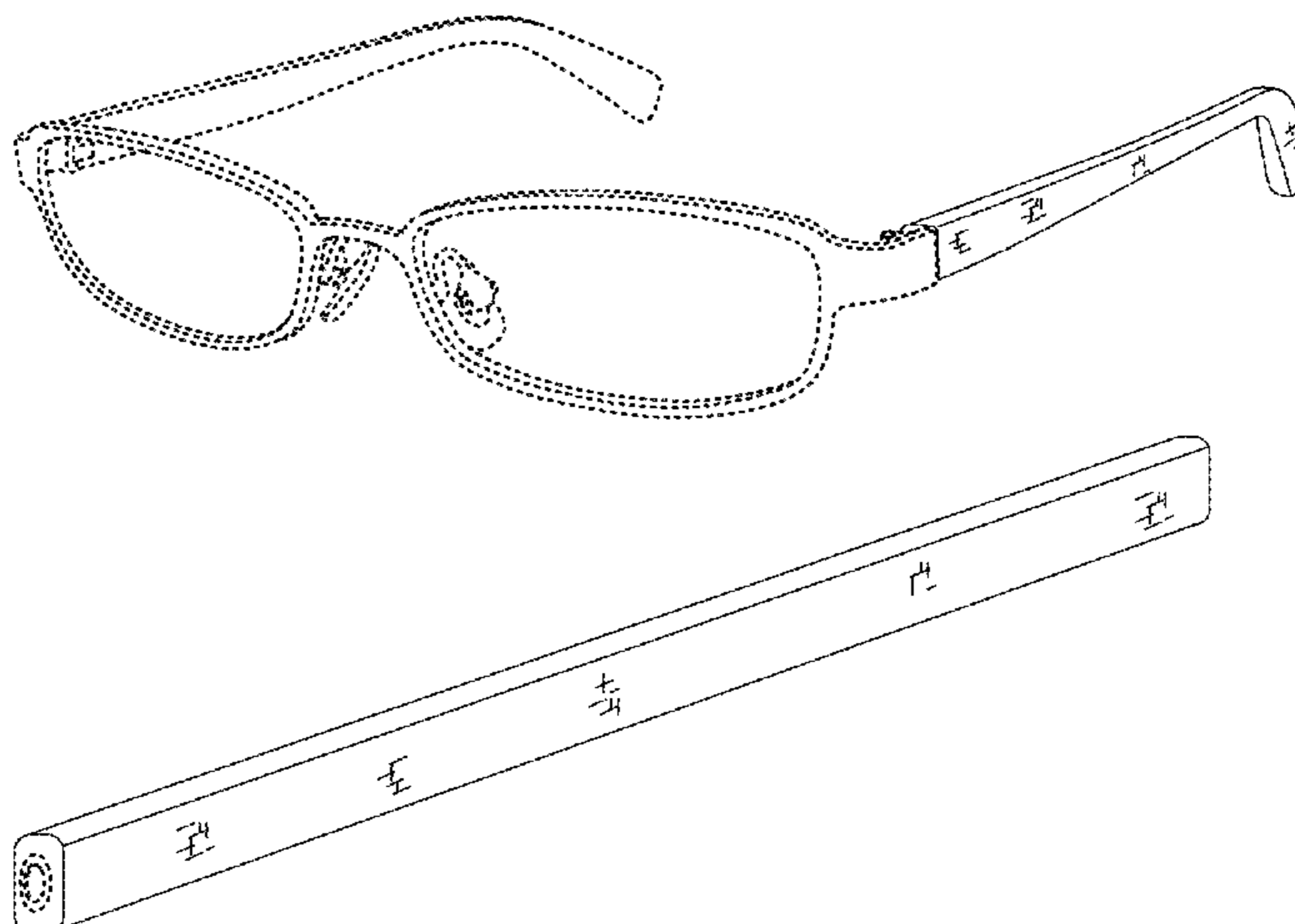
FIG. 14 is a left side orthogonal view thereof.

FIG. 15 is a front orthogonal view thereof; and,

FIG. 16 is a rear orthogonal view thereof.

The subject matter in dotted lines depicts environmental subject matter and forms no part of the claimed design subject matter.

1 Claim, 4 Drawing Sheets



(56)

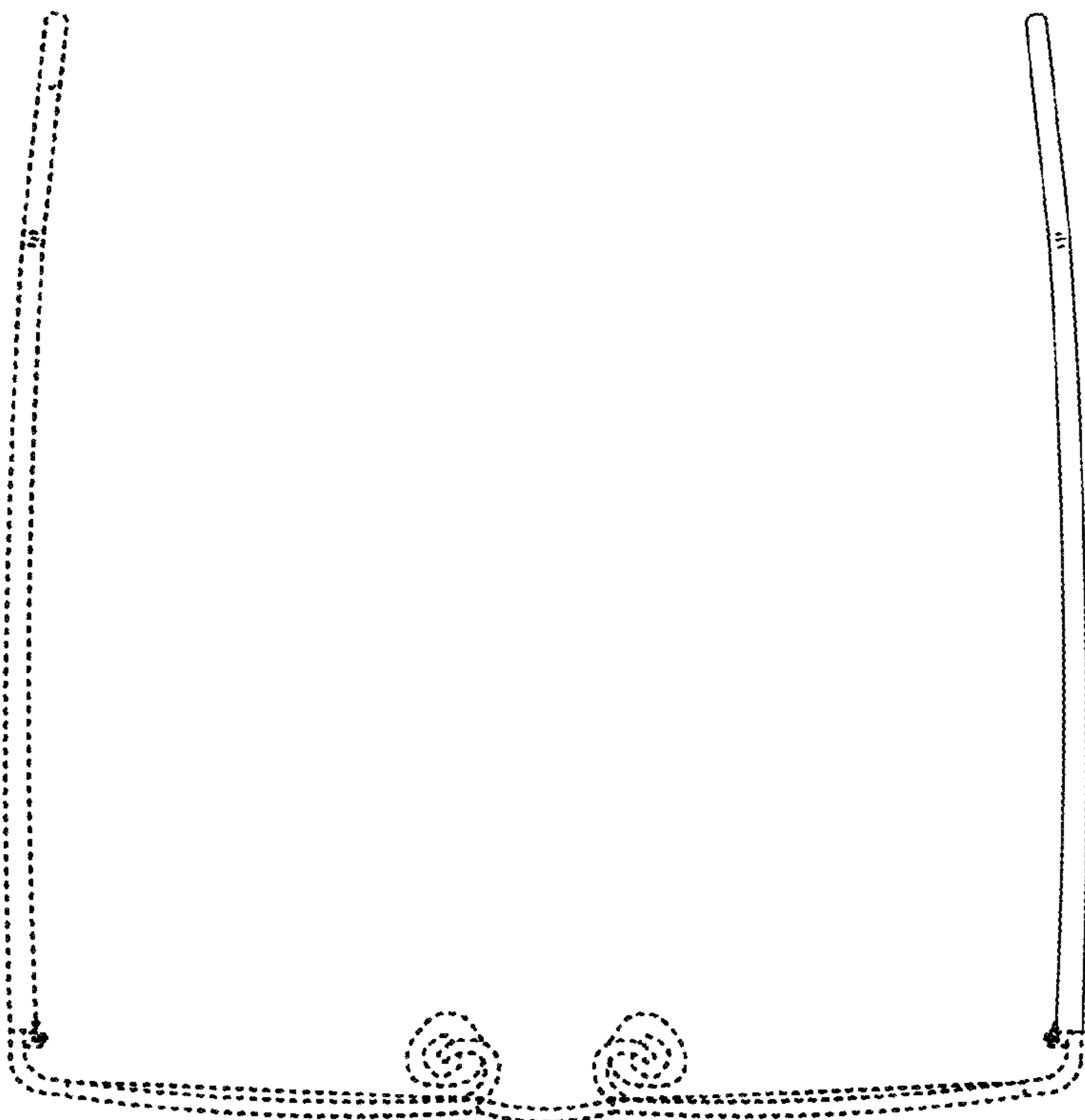
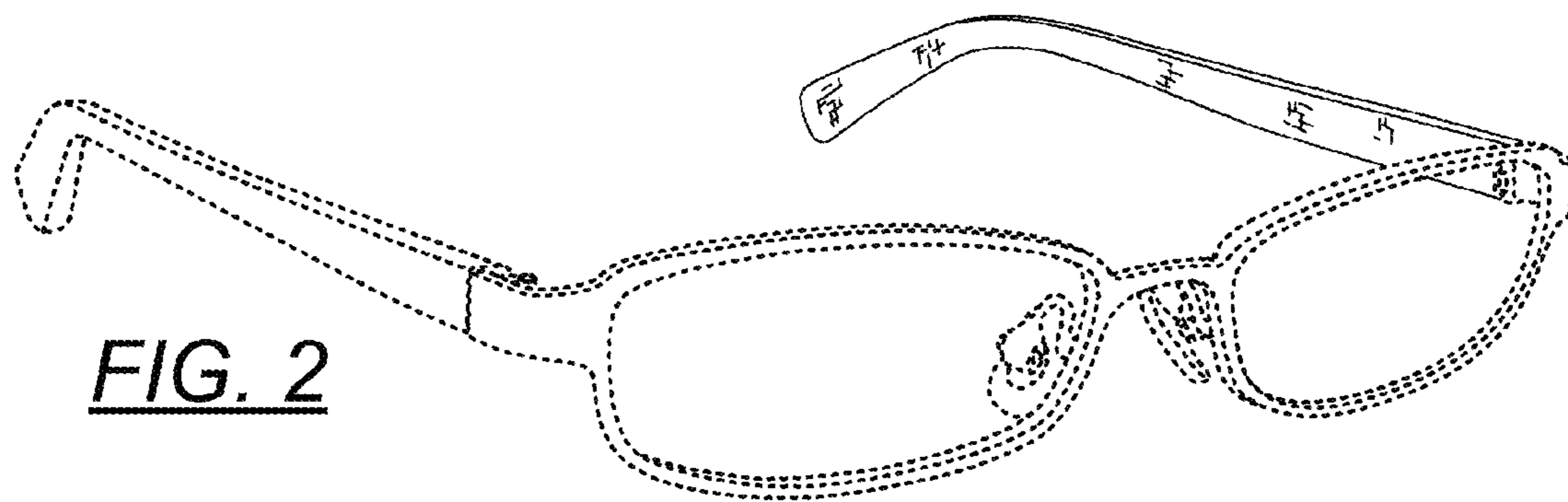
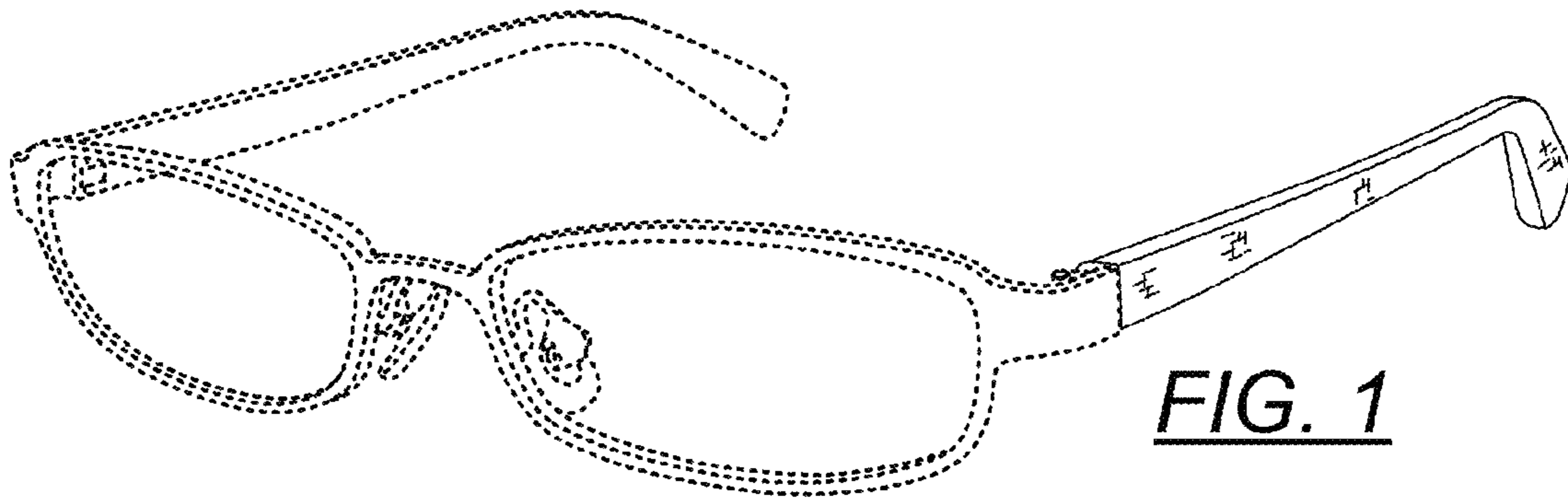
References Cited

U.S. PATENT DOCUMENTS

D524,372 S * 7/2006 Granick D19/36
D524,863 S * 7/2006 Granick D19/36
D536,363 S * 2/2007 Miklitarian D16/326

D593,146 S 5/2009 Powless
D654,950 S * 2/2012 Ryan D19/36
D698,863 S * 2/2014 Ryan et al. D19/117
2012/0148331 A1* 6/2012 Seymour 401/92

* cited by examiner



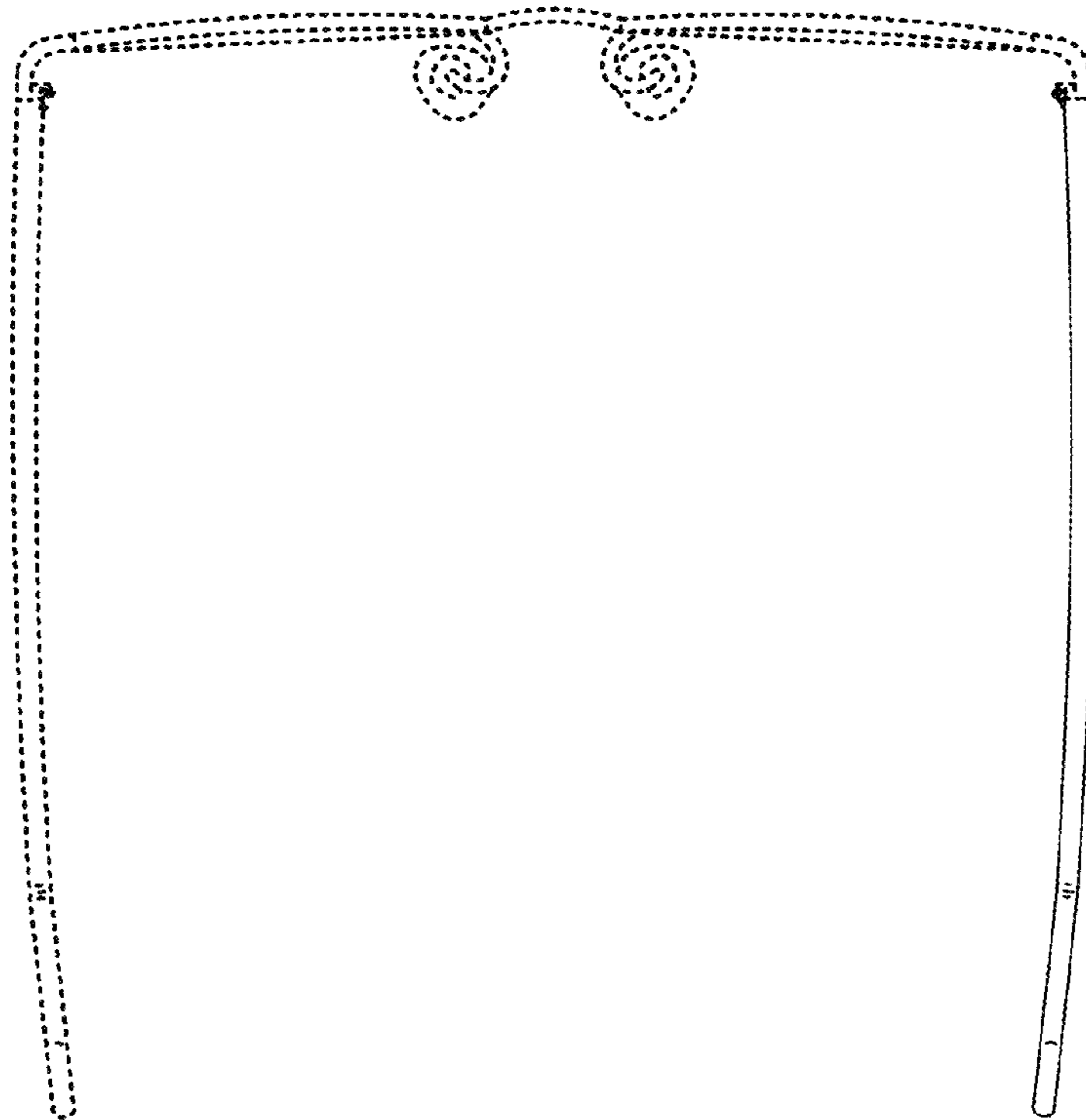


FIG. 4

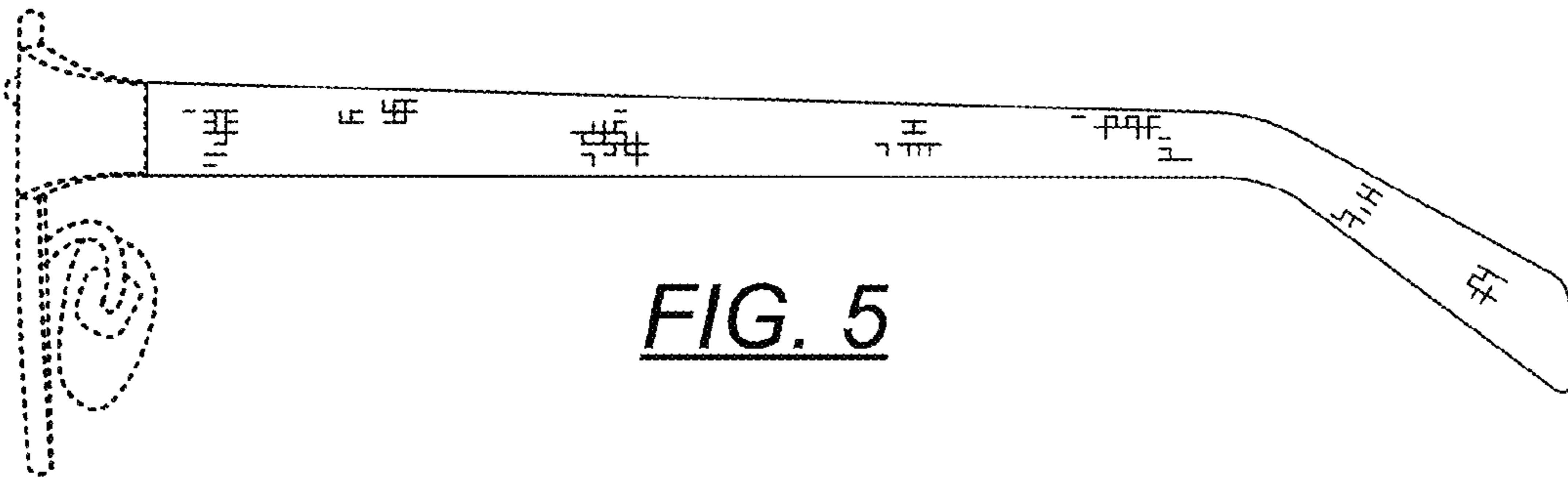


FIG. 5

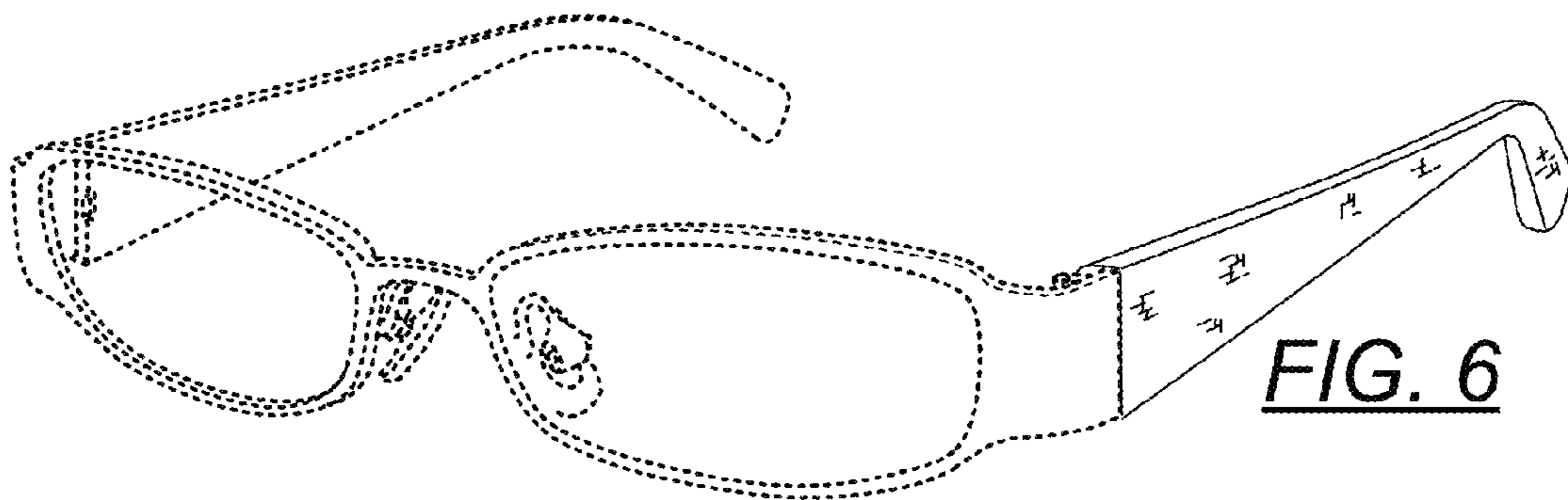
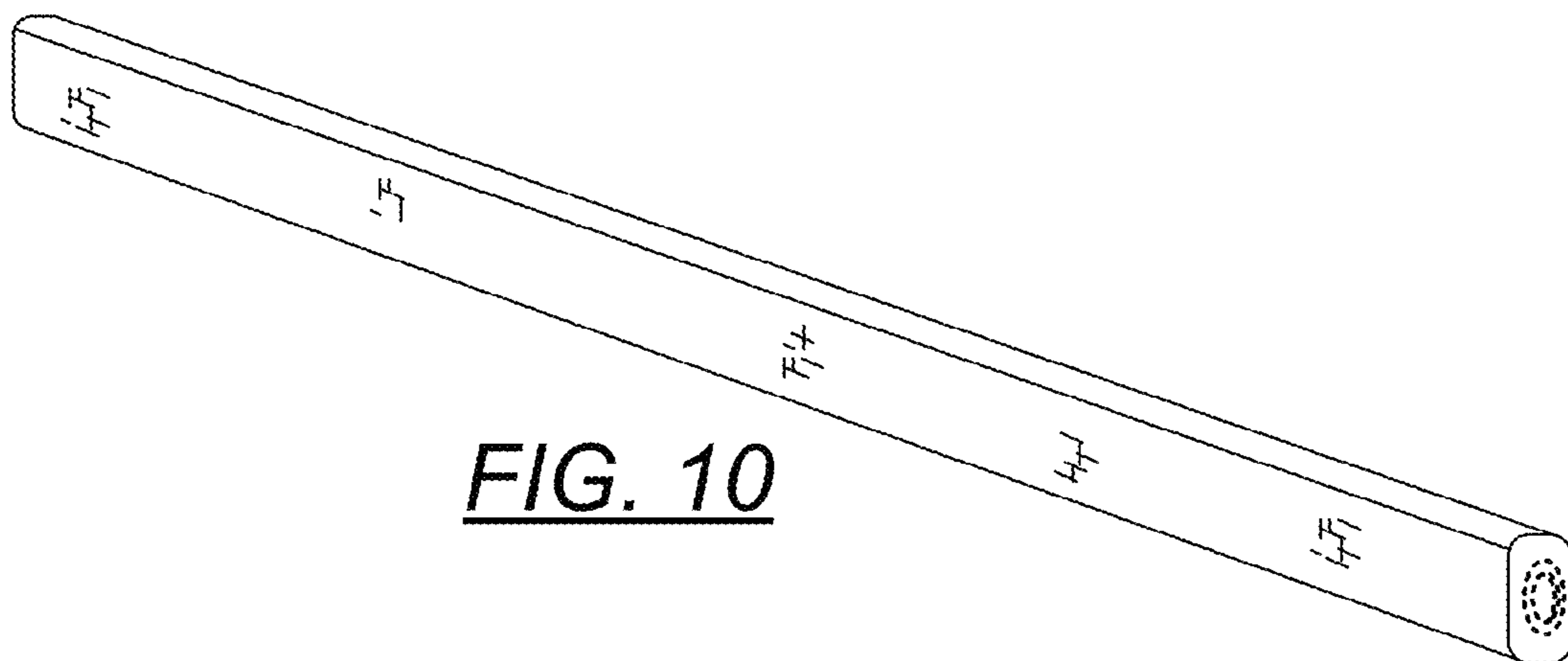
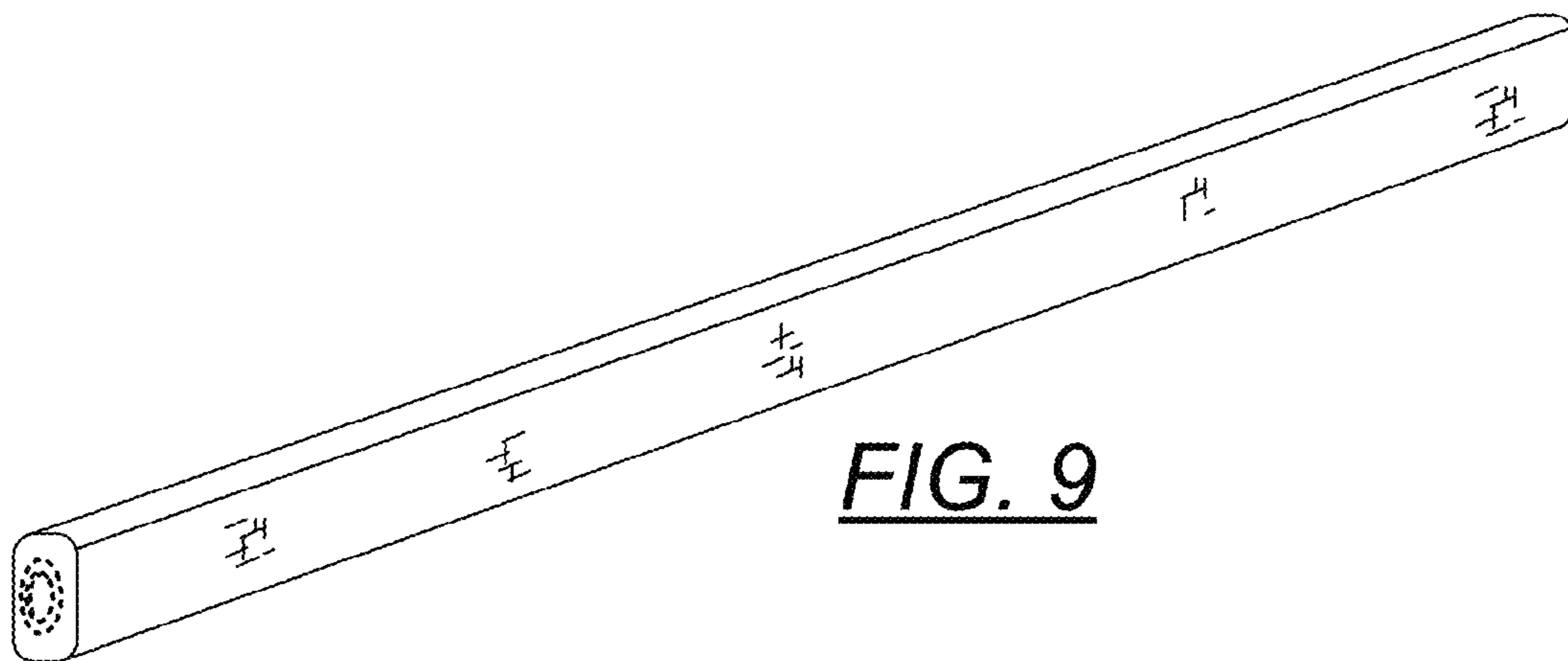
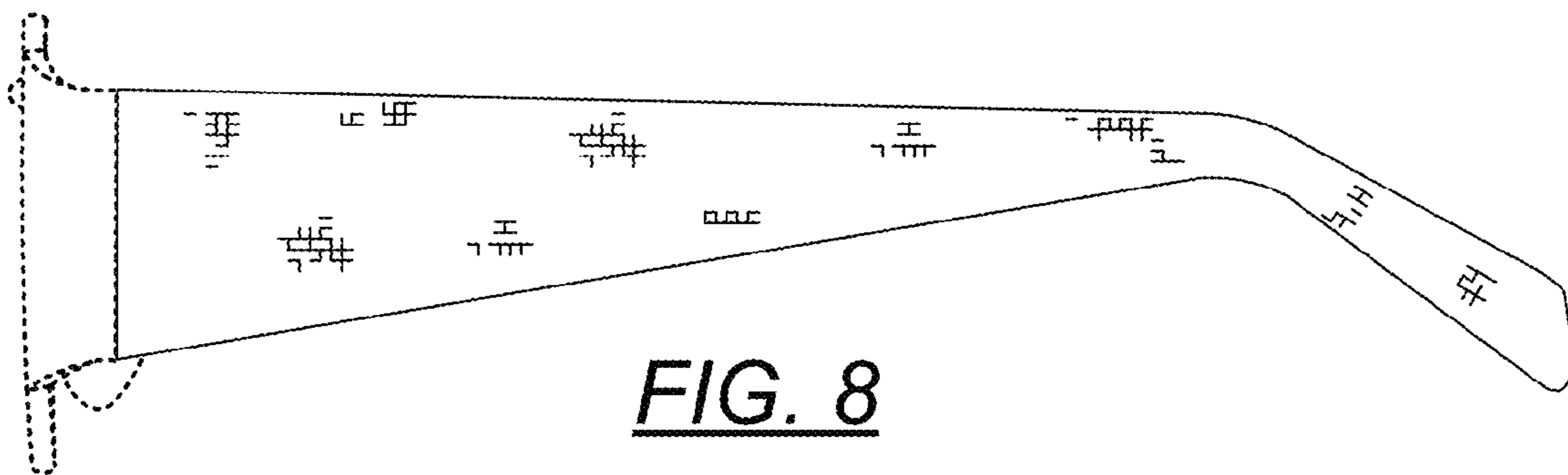
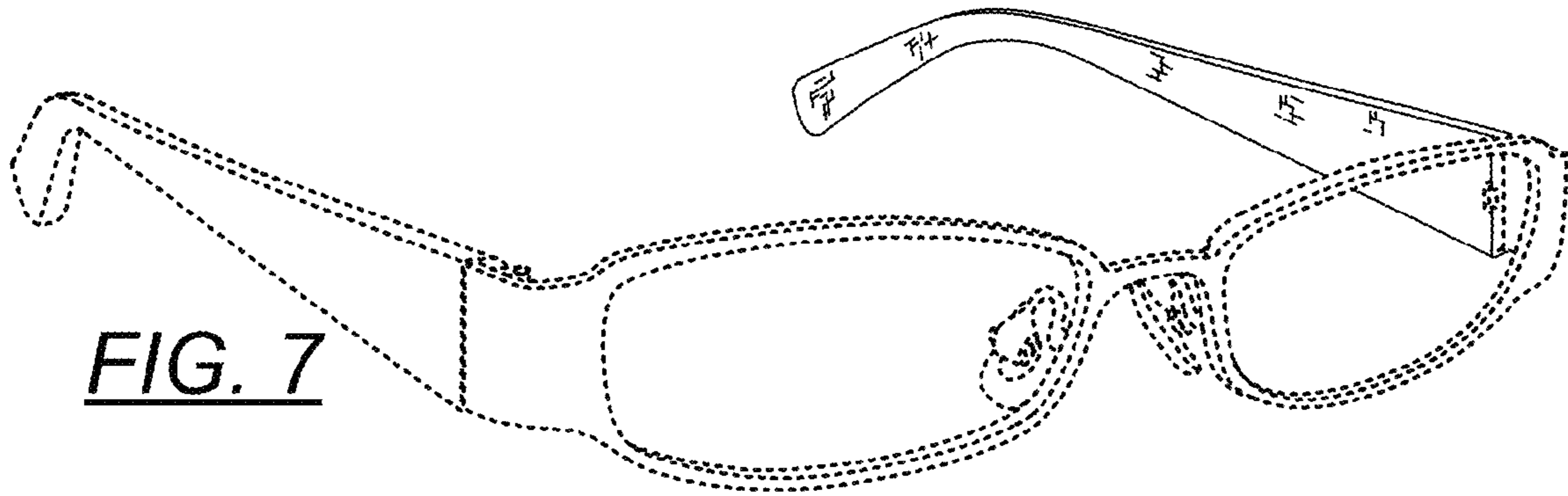


FIG. 6



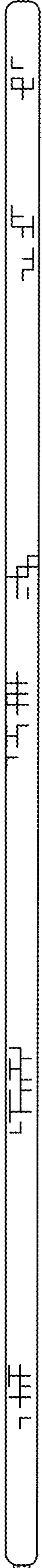


FIG. 11



FIG. 12

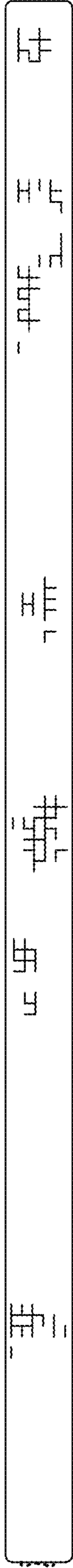


FIG. 13



FIG. 14



FIG. 15



FIG. 16