



US00D722334S

(12) **United States Design Patent**
Ho

(10) **Patent No.:** **US D722,334 S**

(45) **Date of Patent:** **** Feb. 10, 2015**

(54) **PAIR OF TEMPLE ARMS FOR AN EYEGLASS FRAME**

7,185,982 B2	3/2007	Dietz	
D552,667 S	10/2007	Smith	
D558,253 S	12/2007	Mouclier	
D581,445 S	11/2008	Nakanishi	
7,524,052 B2	4/2009	Esses	
7,530,688 B2	5/2009	Grogan et al.	
D595,759 S	7/2009	Gonzalez	
D596,662 S *	7/2009	Gonzalez D16/341

(71) Applicant: **Patrick C. Ho**, Hilton, NY (US)

(72) Inventor: **Patrick C. Ho**, Hilton, NY (US)

(73) Assignee: **Alpha Primitus, Inc.**, Central (HK)

(**) Term: **14 Years**

(Continued)

(21) Appl. No.: **29/444,327**

FOREIGN PATENT DOCUMENTS

WO 200913111 A1 9/2009

(22) Filed: **Jan. 29, 2013**

OTHER PUBLICATIONS

(51) **LOC (10) Cl.** **16-06**

International Search Report and Written Opinion of PCT Application No. PCT/US2013/022552, dated Aug. 13, 2013.

(52) **U.S. Cl.**

USPC **D16/335**

(58) **Field of Classification Search**

USPC D16/320, 333, 332, 325, 326, 328, 321, D16/318, 310, 309, 306, 300, 335, 334, 136, D16/330, 336, 338, 340, 341, 339, 327, 323, D16/303, 329, 301, 337, 342, 316, 304; 24/58; D11/82, 49, 57, 58, 239, 224, D11/208, 133, 95, 33; 2/12, 442, 445, 447, 2/448; 351/124, 69, 41, 137, 138, 139, 351/131, 132, 136, 65, 76, 78, 79, 87, 88; D3/219; D20/22, 40; D5/63, 56; D8/19, 16, 366; 383/210; D22/108, D22/199

Primary Examiner — Robert M Spear

Assistant Examiner — Eliza Bennett-Hattan

(74) *Attorney, Agent, or Firm* — Joseph M. Noto; Bond Schoeneck & King PLLC

See application file for complete search history.

(57) **CLAIM**

The ornamental design for a pair of temple arms for an eyeglass frame, as shown and described.

(56) **References Cited**

U.S. PATENT DOCUMENTS

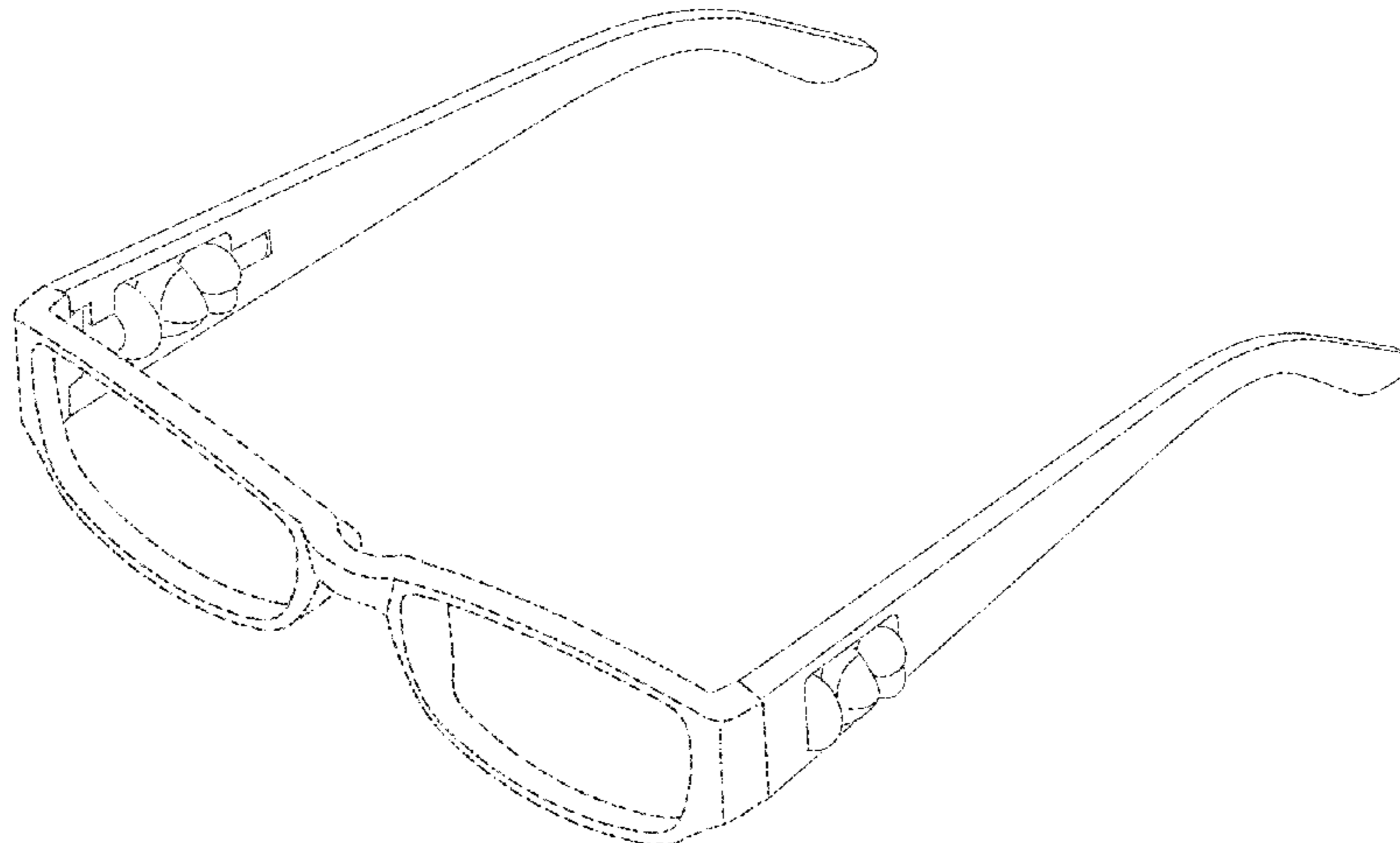
D139,613 S	12/1944	Norton	
4,968,128 A	11/1990	Mendola	
D342,081 S	12/1993	Fynan	
D352,725 S	11/1994	Charriol	
D377,040 S	12/1996	Khantzis et al.	
D417,462 S	12/1999	Chang	
D420,378 S *	2/2000	Wu D16/321
D482,384 S	11/2003	Frederik Anton Thiele et al.	
D537,102 S	2/2007	Lovegrove	

DESCRIPTION

FIG. 1 is a perspective view of a pair of temple arms for my new design shown in the environment of an eyeglass frame; FIG. 2 is a front elevational view thereof; FIG. 3 is a rear elevational view thereof; FIG. 4 is a side elevational view, wherein the other side is a mirror image thereof; FIG. 5 is a top plan view thereof; FIG. 6 is a bottom plan view thereof; and, FIG. 7 is a perspective view thereof shown in an exploding format.

The broken lines showing the front of the eyeglass frame are for the purpose of illustrating environment structure and form no part of the claimed design.

1 Claim, 7 Drawing Sheets



(56)

References Cited

U.S. PATENT DOCUMENTS

7,588,331 B2 9/2009 Burnstein
 7,591,554 B2 9/2009 Guerrero
 7,665,839 B1 2/2010 Tedeschi
 7,677,721 B2 3/2010 Siu
 D614,227 S 4/2010 Muthsam
 7,712,893 B2 5/2010 Dobashi
 7,726,806 B2 6/2010 Boulas et al.
 7,874,668 B2 1/2011 Brousseau et al.
 7,874,669 B2 1/2011 Moritz et al.
 7,874,670 B2 1/2011 Buggs et al.
 7,891,807 B2 2/2011 Mansuy
 7,901,070 B2 3/2011 Burnstein
 7,914,143 B2 3/2011 Heim
 D636,811 S * 4/2011 Gonzalez D16/335
 D640,733 S 6/2011 Ho
 D644,261 S * 8/2011 Gonzalez D16/321
 8,123,351 B2 2/2012 Moritz et al.
 8,167,426 B2 5/2012 Lampru
 8,201,938 B2 6/2012 Rhee

D671,980 S 12/2012 Sallard
 D675,670 S 2/2013 Fuchs
 D682,921 S * 5/2013 Sallard D16/323
 D683,390 S * 5/2013 Sallard D16/335
 D705,341 S * 5/2014 Ho D16/323
 2008/0231796 A1 9/2008 Zoullas et al.
 2008/0273162 A1 11/2008 Porter
 2009/0122253 A1 5/2009 Clay
 2009/0147213 A1 6/2009 Poole
 2009/0273754 A1 11/2009 Ridgeway
 2010/0002185 A1 1/2010 Zelman
 2010/0002186 A1 1/2010 Zelman
 2010/0014045 A1 1/2010 MacCallum
 2011/0080555 A1 4/2011 Chow
 2011/0116032 A1 5/2011 Brousseau et al.
 2012/0002158 A1 1/2012 Jirsa et al.
 2012/0075571 A1 3/2012 Silver
 2012/0075572 A1 3/2012 Silver et al.
 2012/0127419 A1 5/2012 Moore et al.
 2012/0133883 A1 5/2012 Mezher
 2012/0224135 A1 9/2012 Moritz et al.

* cited by examiner

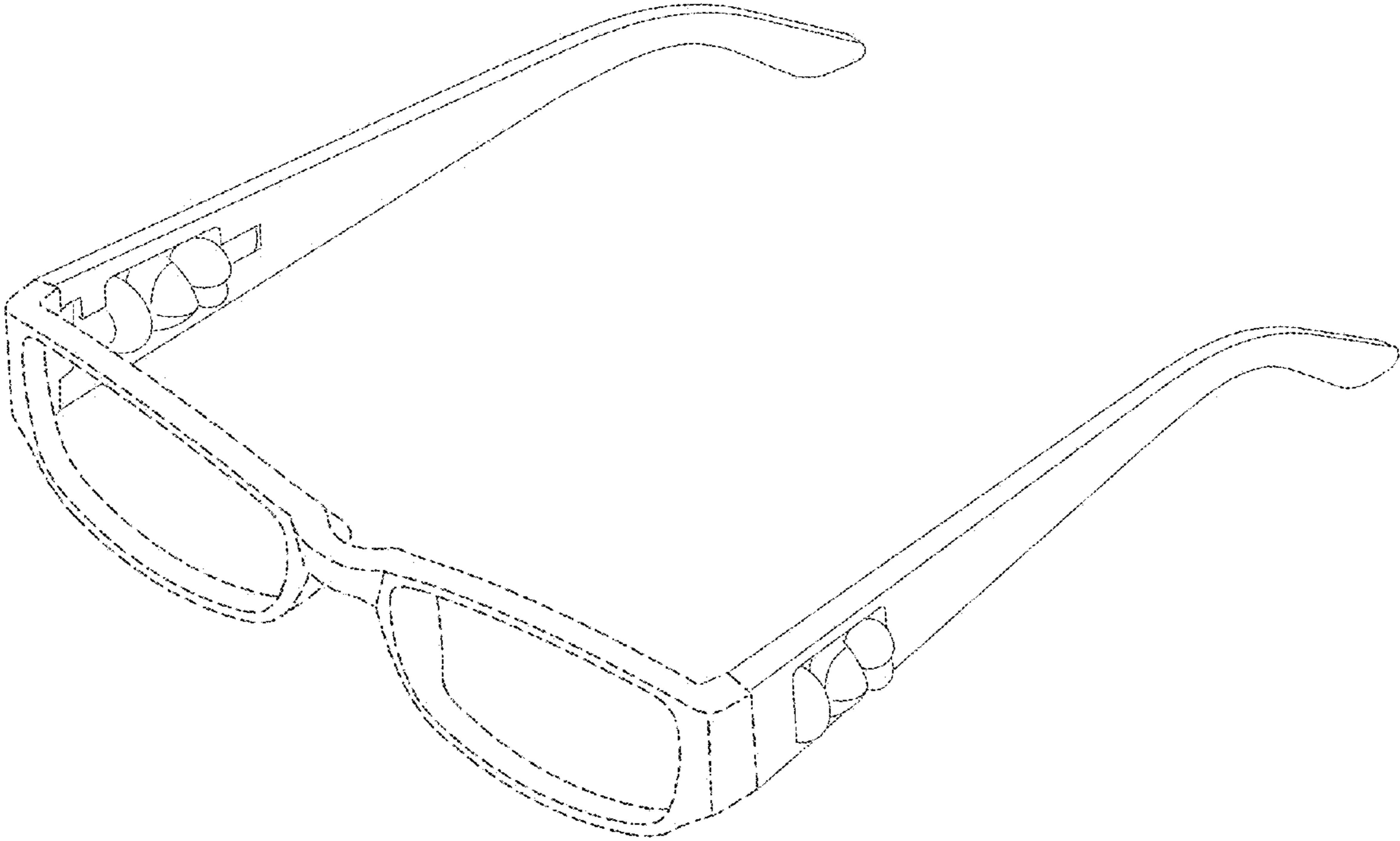


FIG. 1

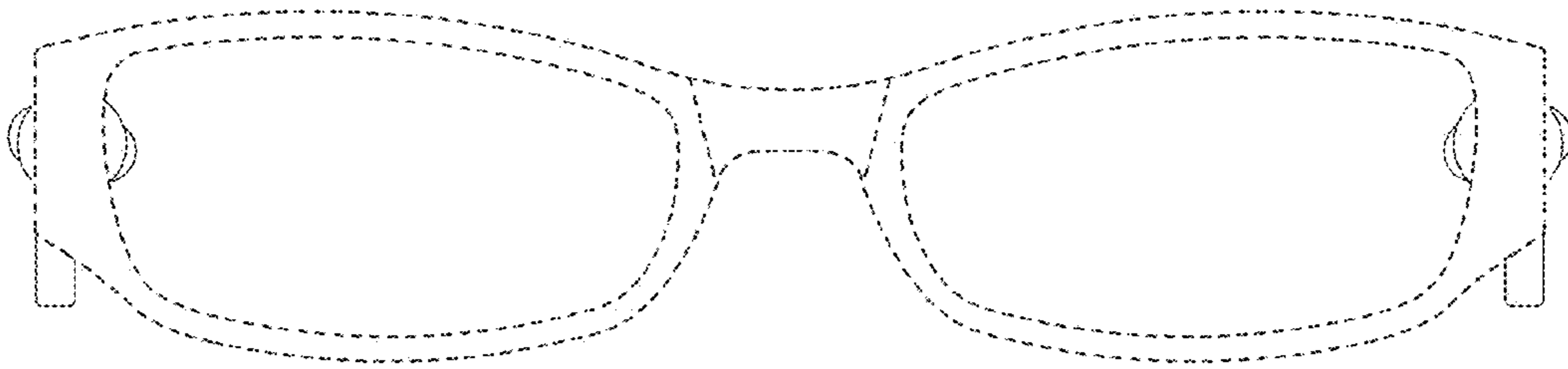


FIG. 2

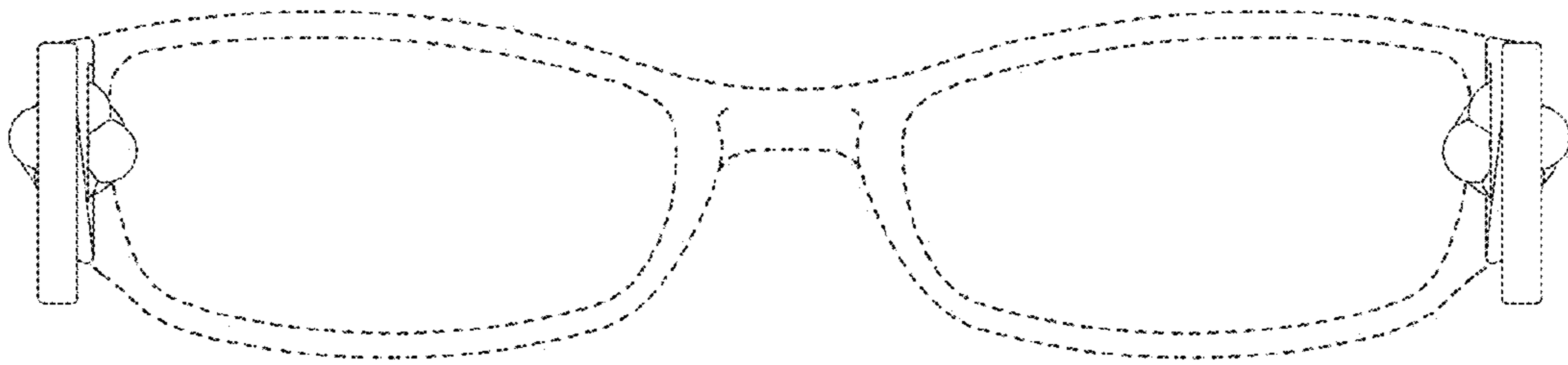


FIG. 3

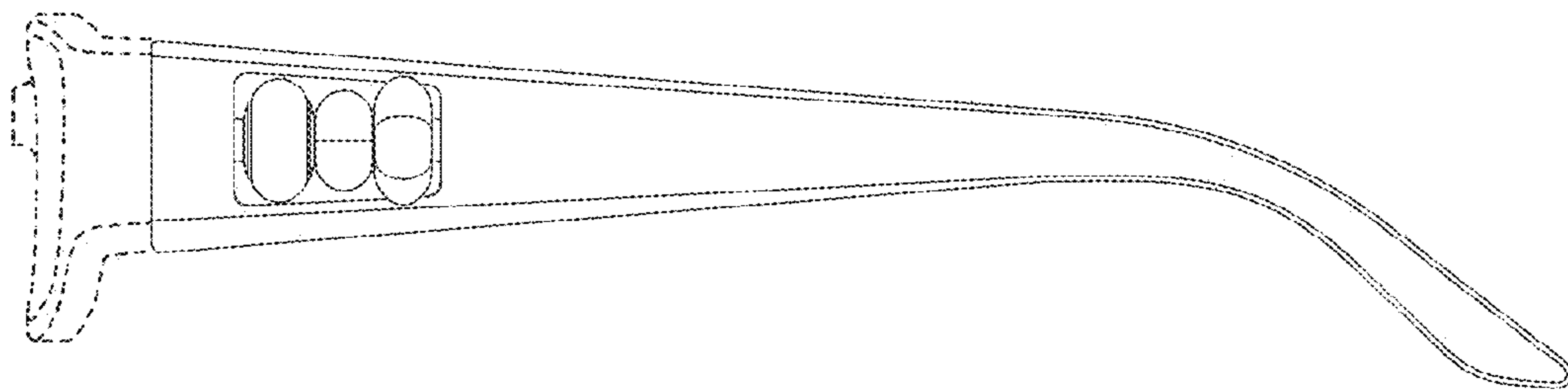


FIG. 4

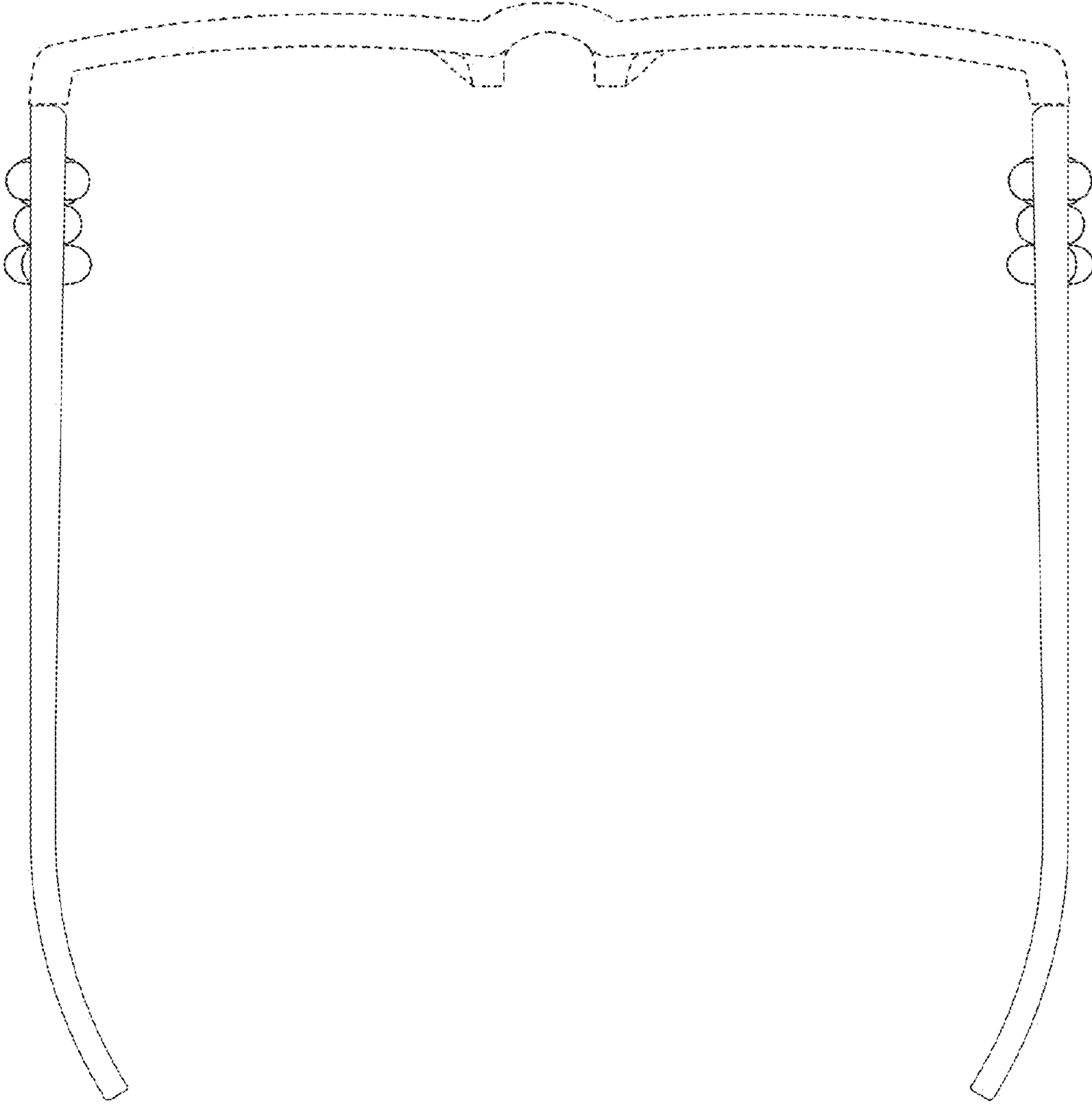


FIG. 5

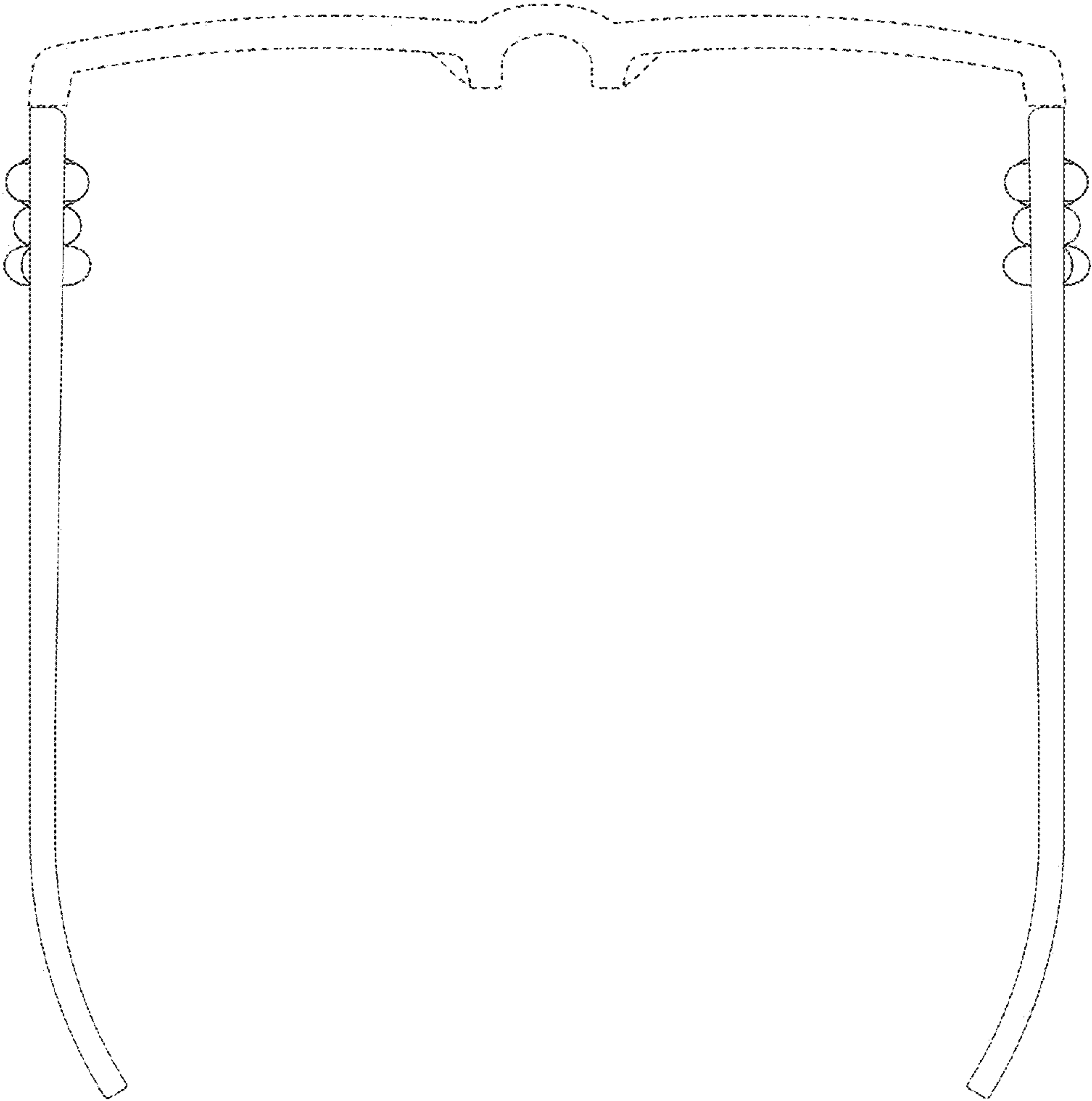


FIG. 6

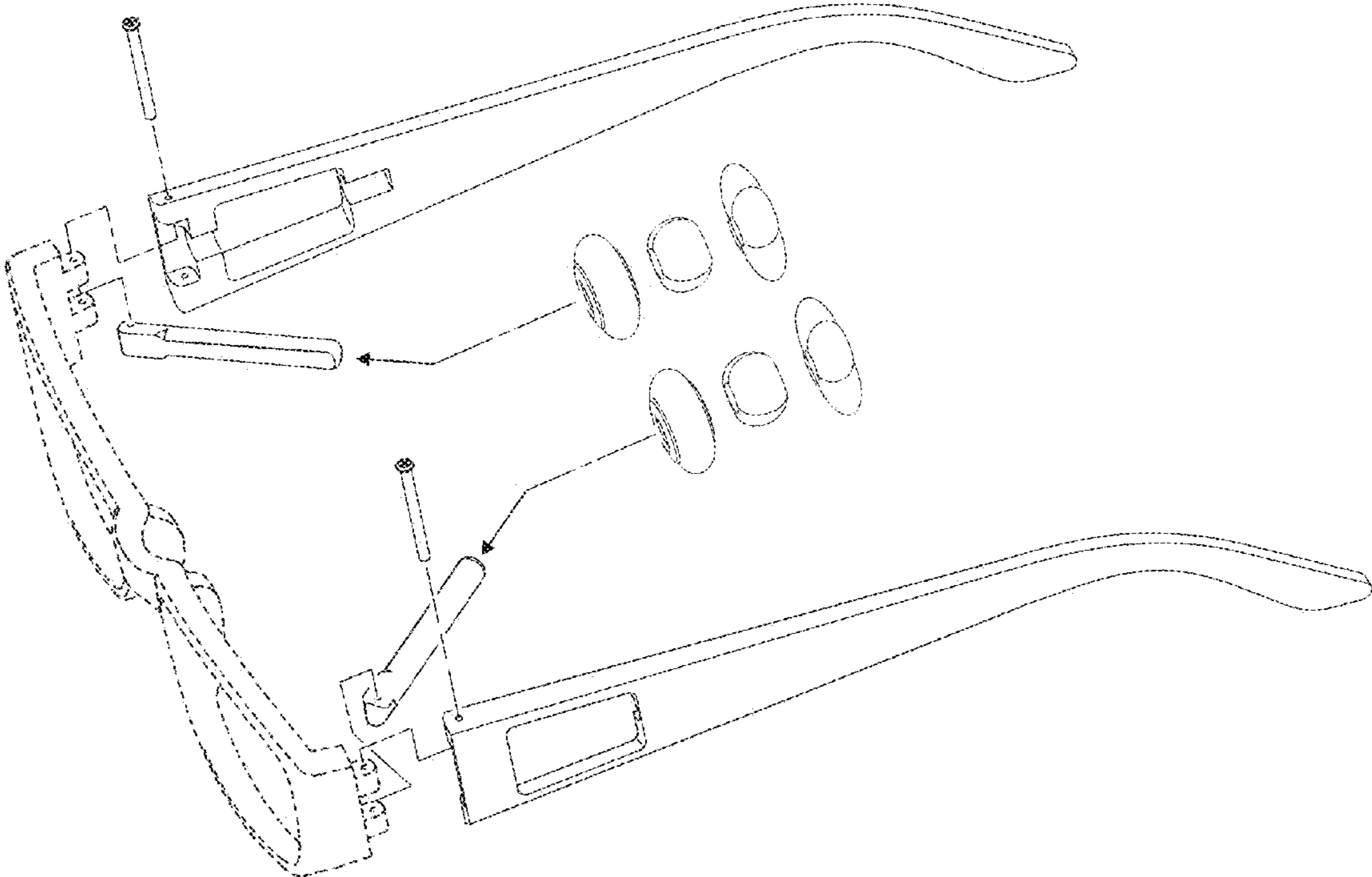


FIG. 7