



US00D722333S

(12) **United States Design Patent**  
**Lin et al.**

(10) **Patent No.:** **US D722,333 S**  
(45) **Date of Patent:** **\*\* Feb. 10, 2015**

(54) **MICRO PROJECTOR**  
(71) Applicant: **Huizhou TCL Mobile Communication Co., Ltd.**, Huizhou, Guangdong Province (CN)  
(72) Inventors: **Jinai Lin**, Huizhou (CN); **Cheol Woo Park**, Huizhou (CN); **Hongxia Leng**, Huizhou (CN)  
(73) Assignee: **Huizhou TCL Mobile Communication Co., Ltd.**, Huizhou, Guangdong Province (CN)

(\*\*) Term: **14 Years**

(21) Appl. No.: **29/470,769**

(22) Filed: **Oct. 24, 2013**

(30) **Foreign Application Priority Data**

Jul. 3, 2013 (CN) ..... 2013 3 0304752

(51) **LOC (10) Cl.** ..... **16-02**

(52) **U.S. Cl.**  
USPC ..... **D16/225; D14/138 R**

(58) **Field of Classification Search**  
USPC ..... D16/221, 225, 230–231, 234; D21/514;  
D14/496, 135, 188, 426, 138 AA,  
D14/138 R, 474, 407; 353/39, 93, 115, 119,  
353/122; 455/575.1

See application file for complete search history.

(56) **References Cited**

**U.S. PATENT DOCUMENTS**

D245,701 S \* 9/1977 Kinsinger ..... D16/221  
D520,045 S \* 5/2006 Han et al. .... D16/230

D560,686 S \* 1/2008 Kim et al. .... D14/496  
D602,969 S \* 10/2009 Collet et al. .... D16/221  
D632,326 S \* 2/2011 Hou ..... D16/230  
D638,872 S \* 5/2011 Kao ..... D16/230  
D651,636 S \* 1/2012 Chang ..... D16/230  
D679,740 S \* 4/2013 Ho ..... D16/230  
D685,835 S \* 7/2013 Nakashima ..... D16/230  
D708,250 S \* 7/2014 Park et al. .... D16/230

\* cited by examiner

*Primary Examiner* — Wan Laymon

(74) *Attorney, Agent, or Firm* — Cheng-Ju Chiang

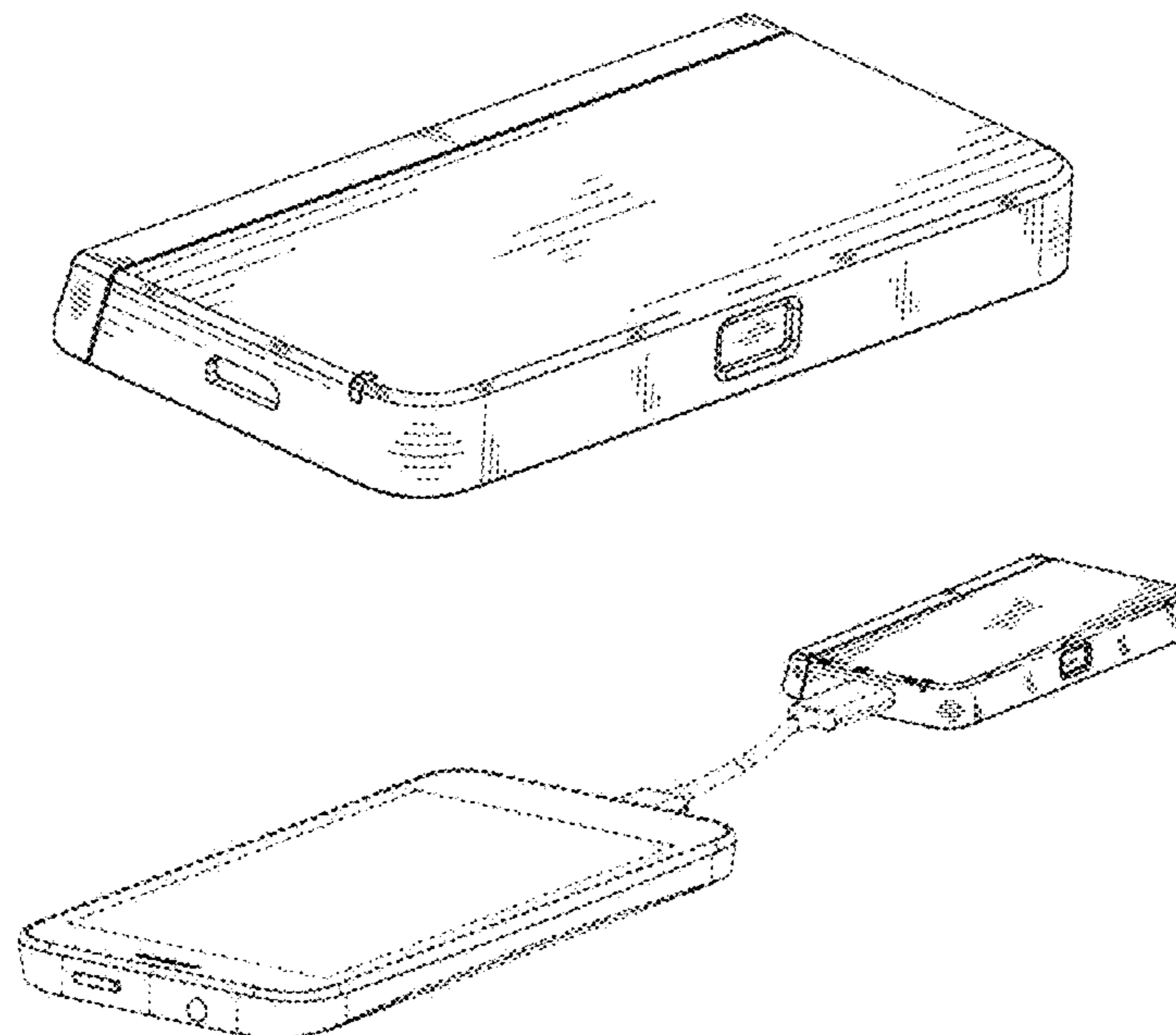
(57) **CLAIM**

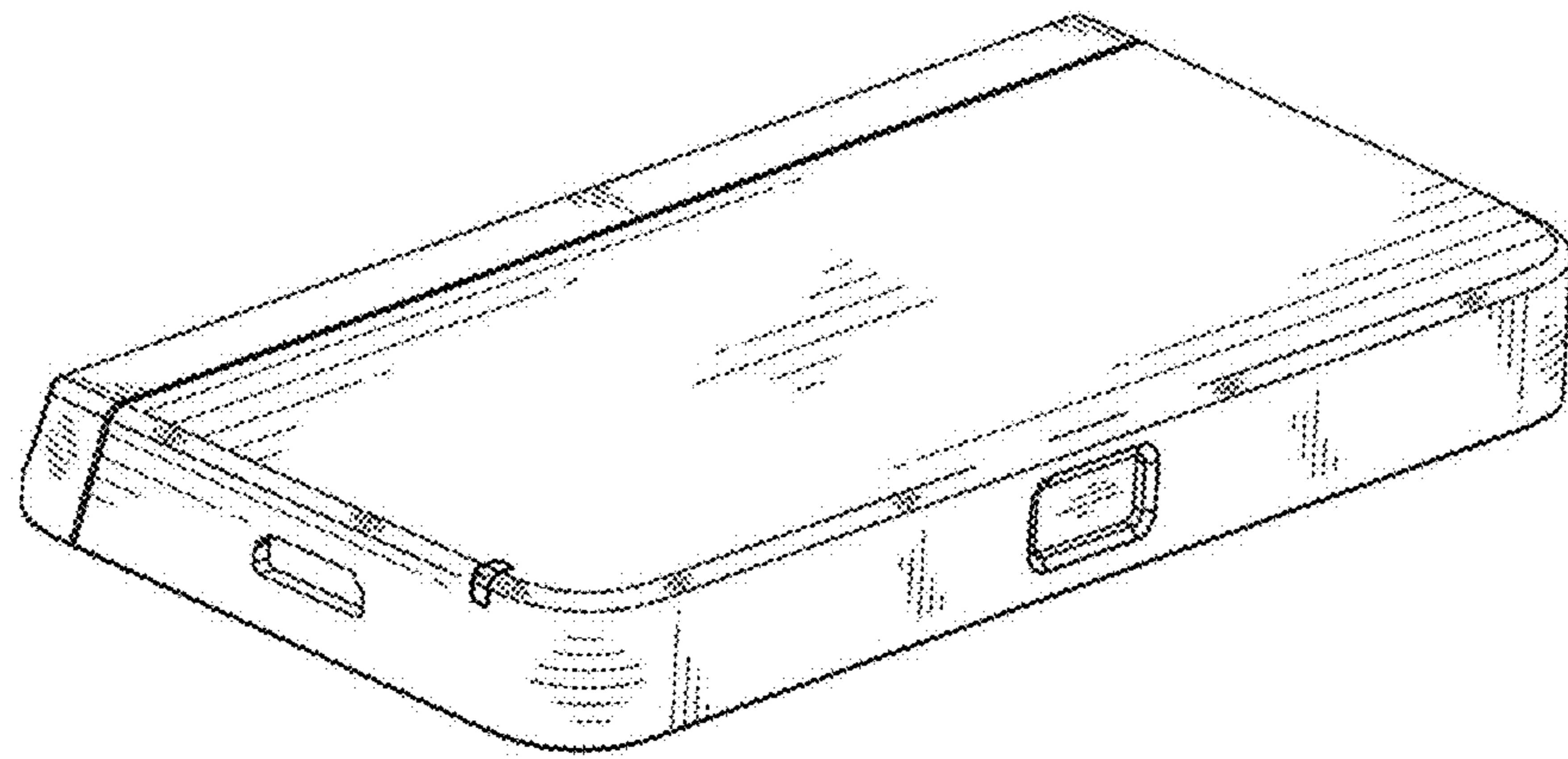
The ornamental design for a micro projector, as shown and described.

**DESCRIPTION**

FIG. 1 is a front, top and left perspective view of a micro projector showing our new design;  
FIG. 2 is a rear, top and left perspective view thereof;  
FIG. 3 is a front elevational view thereof;  
FIG. 4 is a rear elevational view thereof;  
FIG. 5 is a left side elevational view thereof;  
FIG. 6 is a right side view elevational thereof;  
FIG. 7 is a top plan view thereof;  
FIG. 8 is a bottom plan view thereof;  
FIG. 9 is a front, top and left perspective view of a micro projector of FIG. 1 shown with a mobile phone;  
FIG. 10 is another perspective view of a micro projector of FIG. 9 with a data line; and,  
FIG. 11 is a front, top and left perspective view of a micro projector of FIG. 1 shown with a mobile phone by a data line. The broken line portion of the figure drawings is included to show unclaimed subject matter only and forms no part of the claimed design.

**1 Claim, 11 Drawing Sheets**





**Fig. 1**

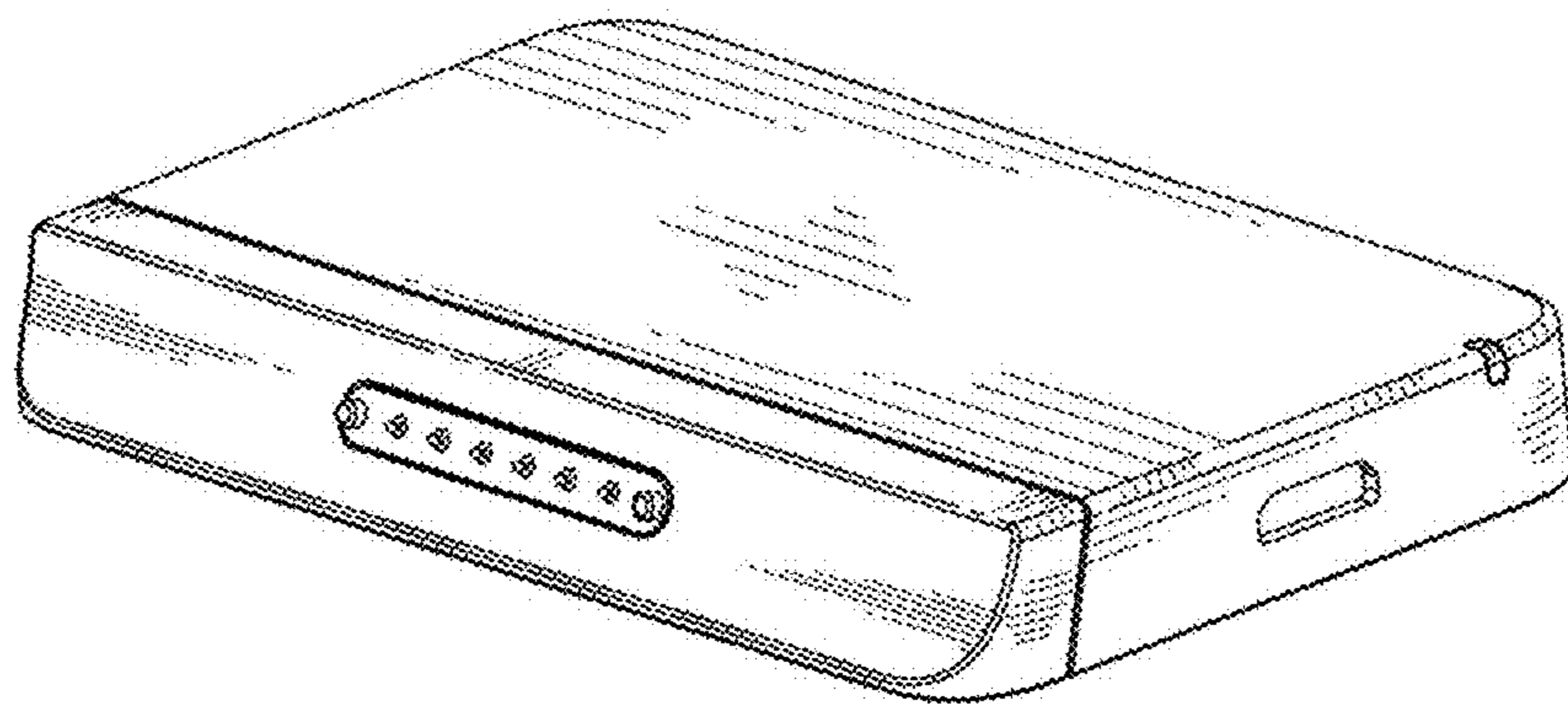
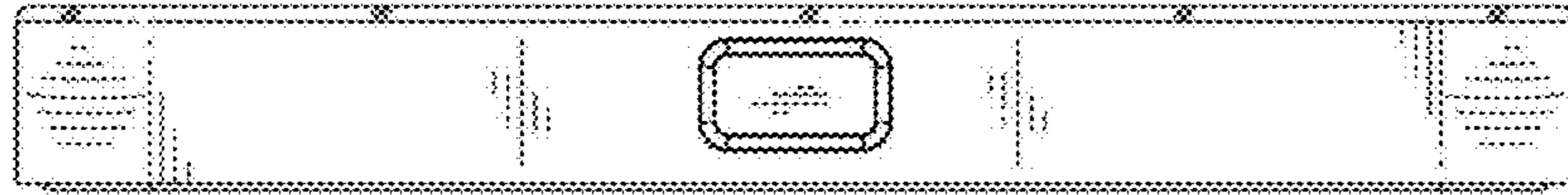


Fig. 2



**Fig. 3**



Fig. 4



Fig. 5

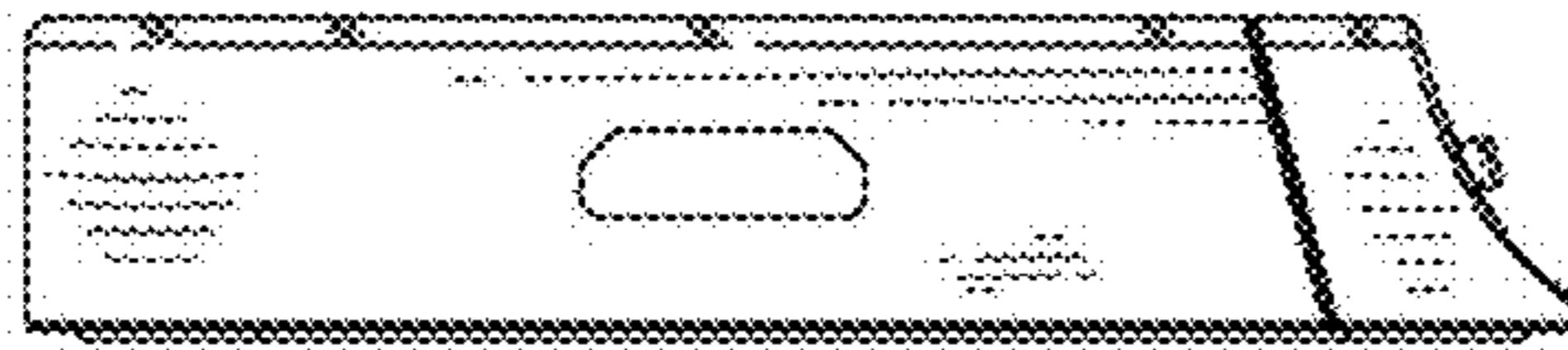


Fig. 6

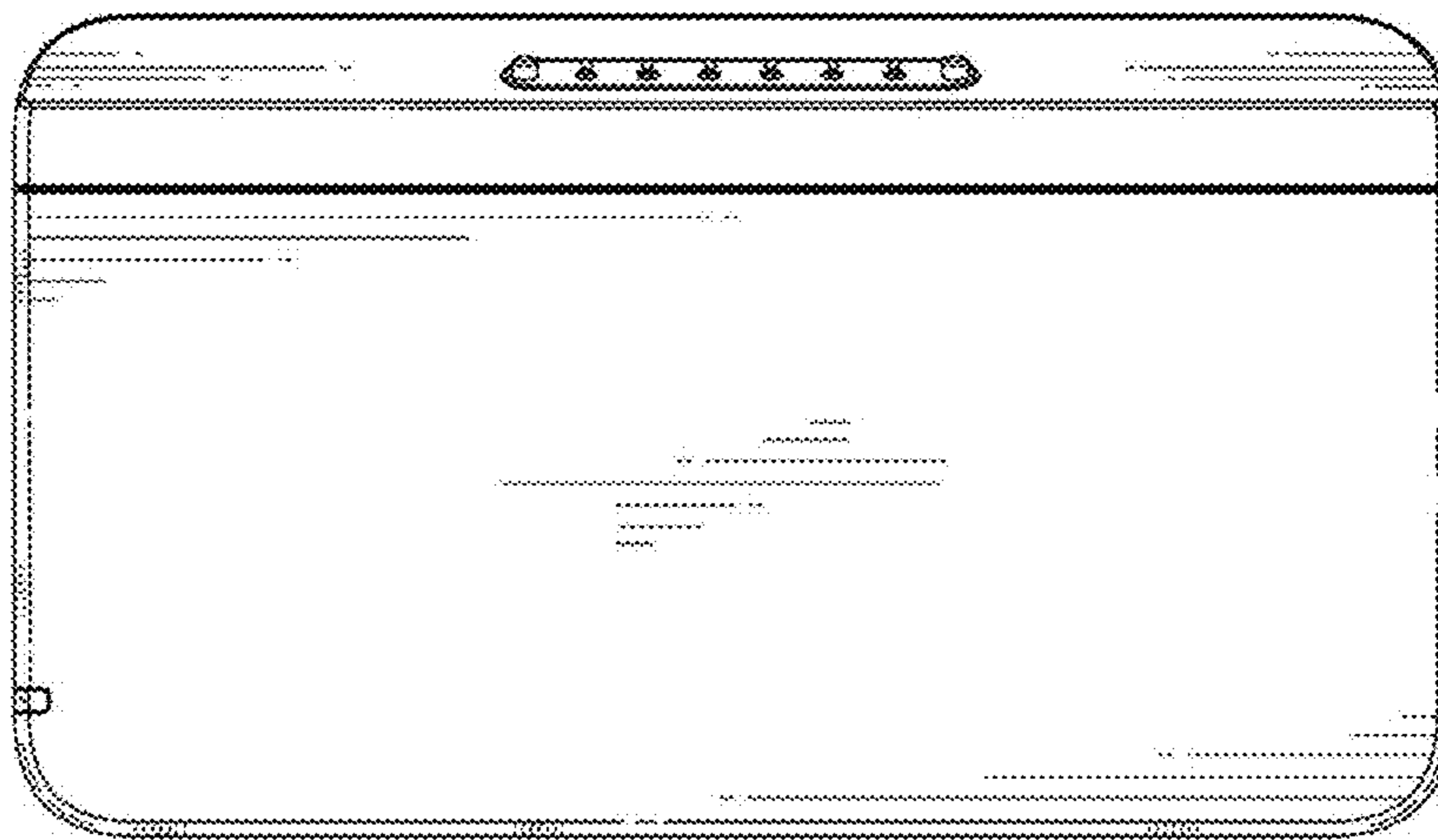
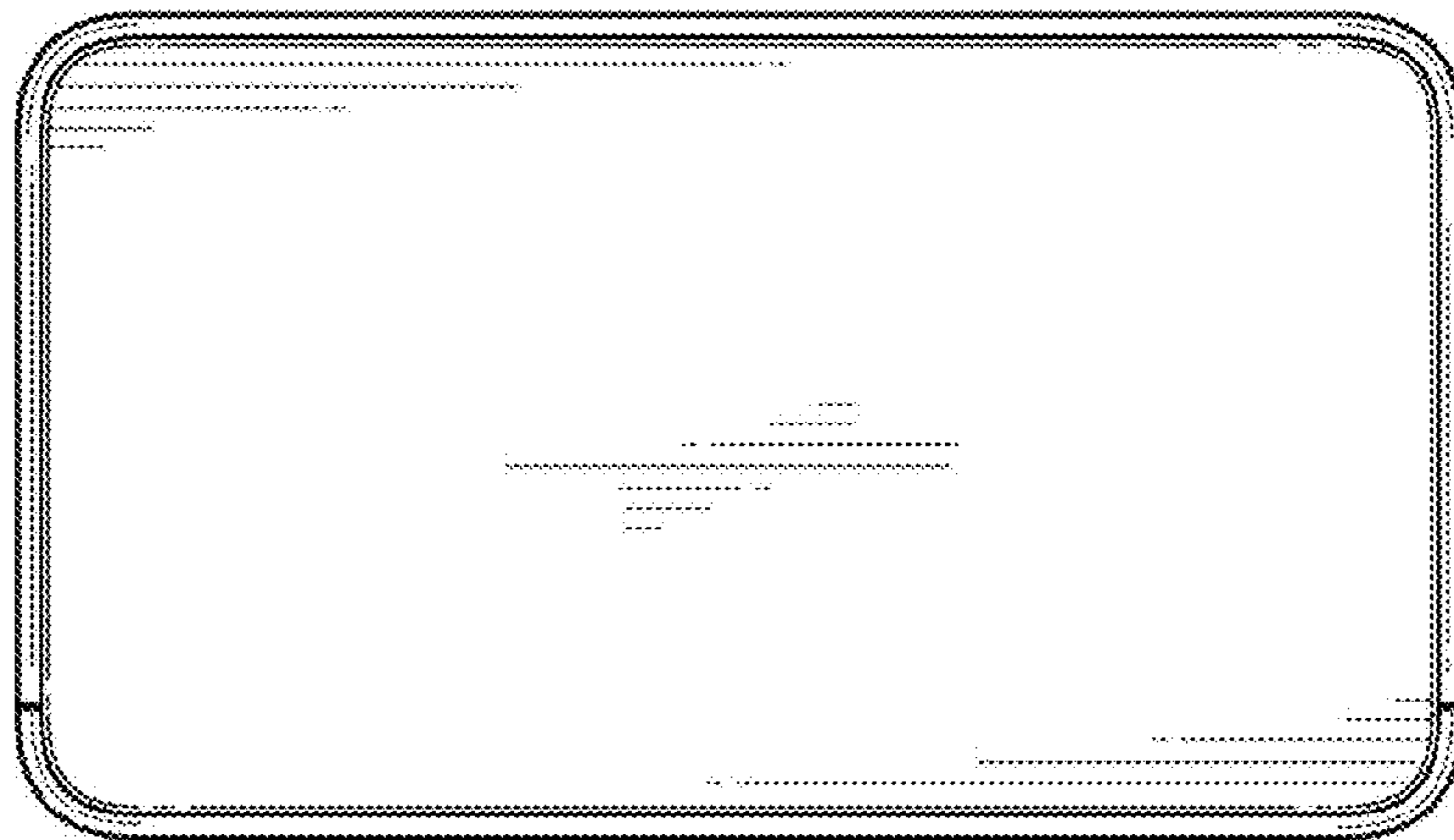


Fig. 7





**Fig. 8**

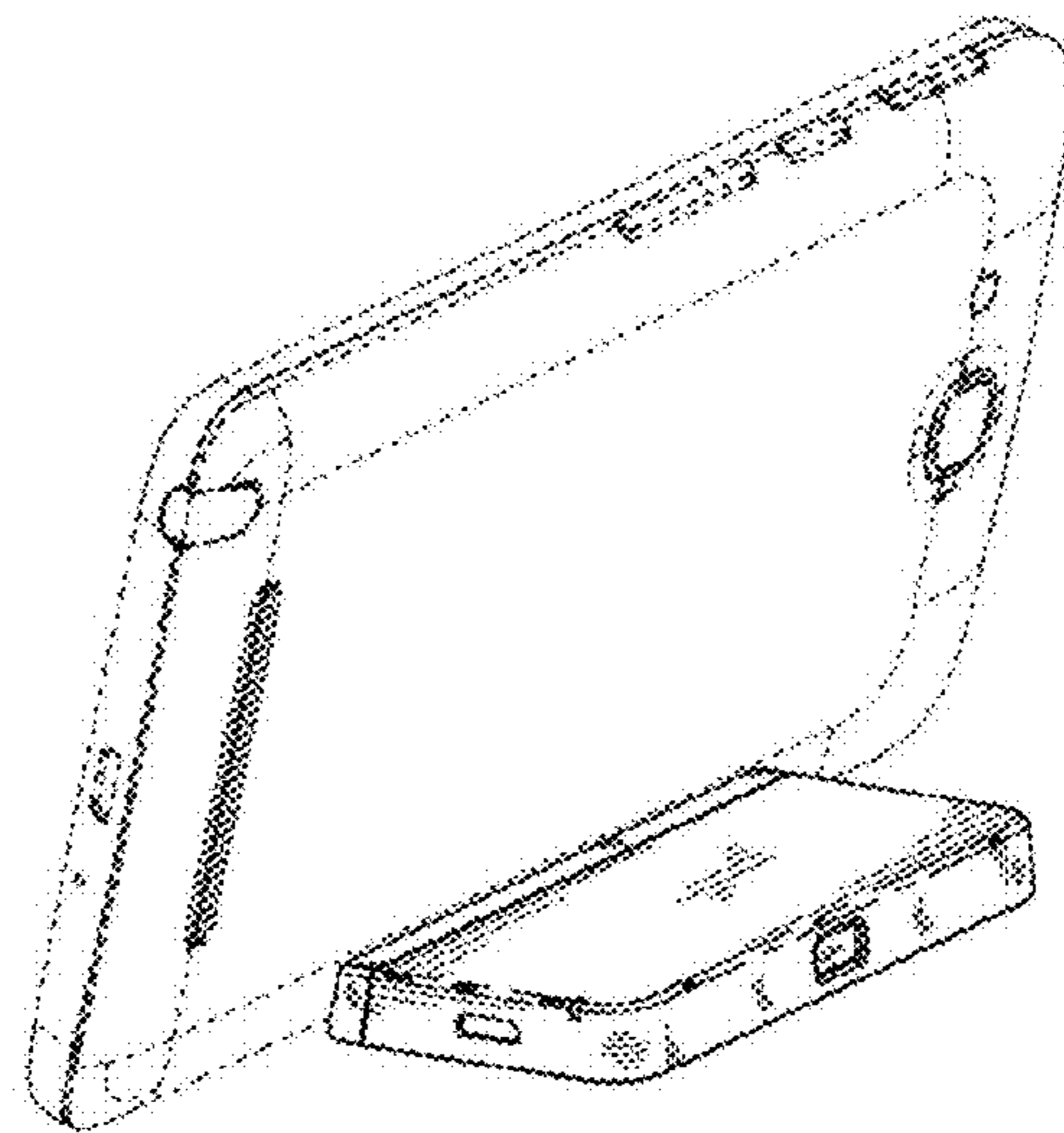


Fig. 9

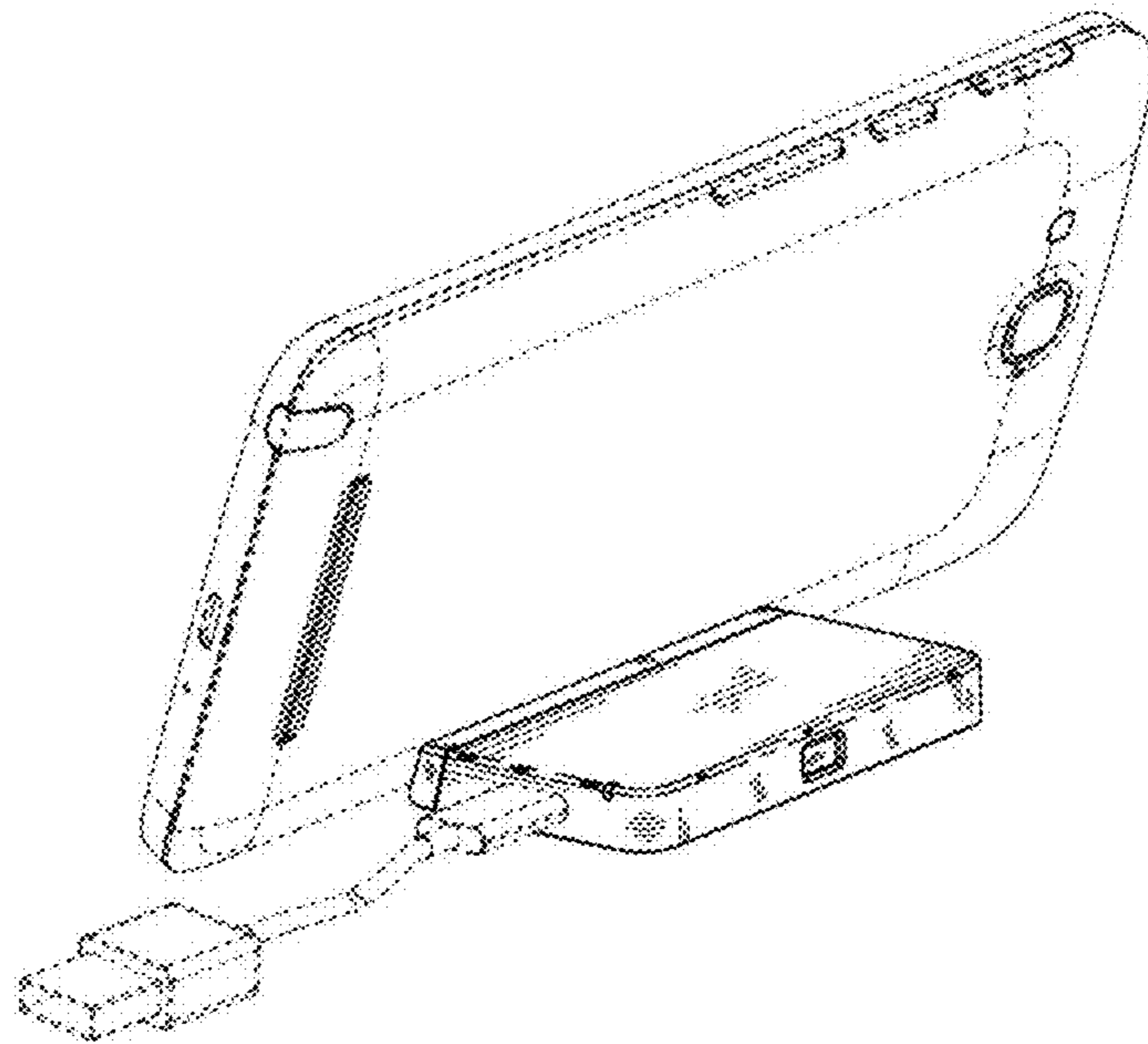


Fig. 10

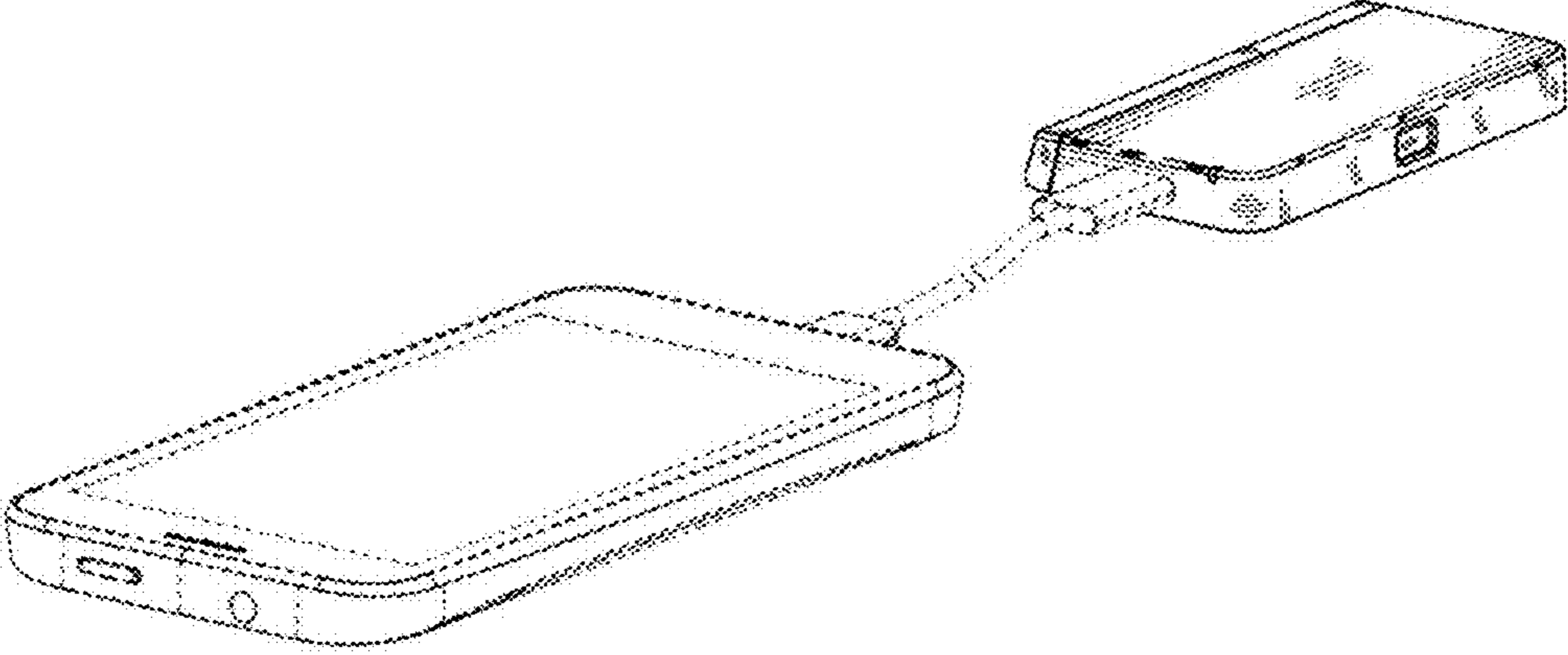


Fig. 11