



US00D722332S

(12) **United States Design Patent**
Kobayashi

(10) **Patent No.:** **US D722,332 S**

(45) **Date of Patent:** **** Feb. 10, 2015**

(54) **DIGITAL CAMERA**

(71) Applicant: **Nikon Corporation**, Tokyo (JP)

(72) Inventor: **Tatsuya Kobayashi**, Tokyo (JP)

(73) Assignee: **Nikon Corporation**, Tokyo (JP)

(**) Term: **14 Years**

(21) Appl. No.: **29/471,457**

(22) Filed: **Oct. 31, 2013**

(30) **Foreign Application Priority Data**

May 1, 2013 (JP) 2013-009815

(51) **LOC (10) Cl.** **16-01**

(52) **U.S. Cl.**
USPC **D16/202**

(58) **Field of Classification Search**
CPC G03B 15/03; G03B 17/02; G03B 17/04;
G03B 17/56; G03B 19/04; H04N 5/2251;
H04N 5/2252; H04N 5/2253; H04N 5/2254;
H04N 2101/00

USPC D16/200, 202–206, 208, 218, 219, 242;
348/373–376; 396/535, 539–541

See application file for complete search history.

(56) **References Cited**

U.S. PATENT DOCUMENTS

D570,890 S *	6/2008	Yoneya et al.	D16/202
D682,338 S *	5/2013	Uemachi	D16/202
D682,906 S *	5/2013	Uemachi et al.	D16/202
D684,203 S *	6/2013	Uemachi	D16/202
D684,204 S *	6/2013	Uemachi	D16/202
D689,111 S *	9/2013	Kobayashi	D16/202
D689,535 S *	9/2013	Nojima	D16/202
D689,914 S *	9/2013	Uemachi et al.	D16/202
D692,044 S *	10/2013	Uemachi et al.	D16/219
D695,328 S *	12/2013	Sul	D16/202
D695,329 S *	12/2013	Fujita et al.	D16/202

D698,848 S *	2/2014	Uemachi et al.	D16/219
D702,748 S *	4/2014	Muraki et al.	D16/202
D711,450 S *	8/2014	Yamauchi	D16/202
8,810,724 B2 *	8/2014	Ikezawa	348/374
2007/0212062 A1 *	9/2007	Saiki et al.	396/535

OTHER PUBLICATIONS

Website, http://www.nikon.co.jp/news/2013/0108_nikon1_01.htm, Release Date: Jan. 8, 2013, Nikon Corporation Title: Nikon releases two new cameras. “Nikon 1 J3” which is equipped with high-speed performance and high-definition in the world’s smallest body. “Nikon 1 S1”, which is a new Nikon 1 series that enables a user to enjoy a digital camera with interchangeable lenses more easily, pp. 1-17.

(Continued)

Primary Examiner — Adir Aronovich

Assistant Examiner — Ramzi Almatrahi

(74) *Attorney, Agent, or Firm* — Wolf, Greenfield & Sacks, P.C.; Randy J. Pritzker

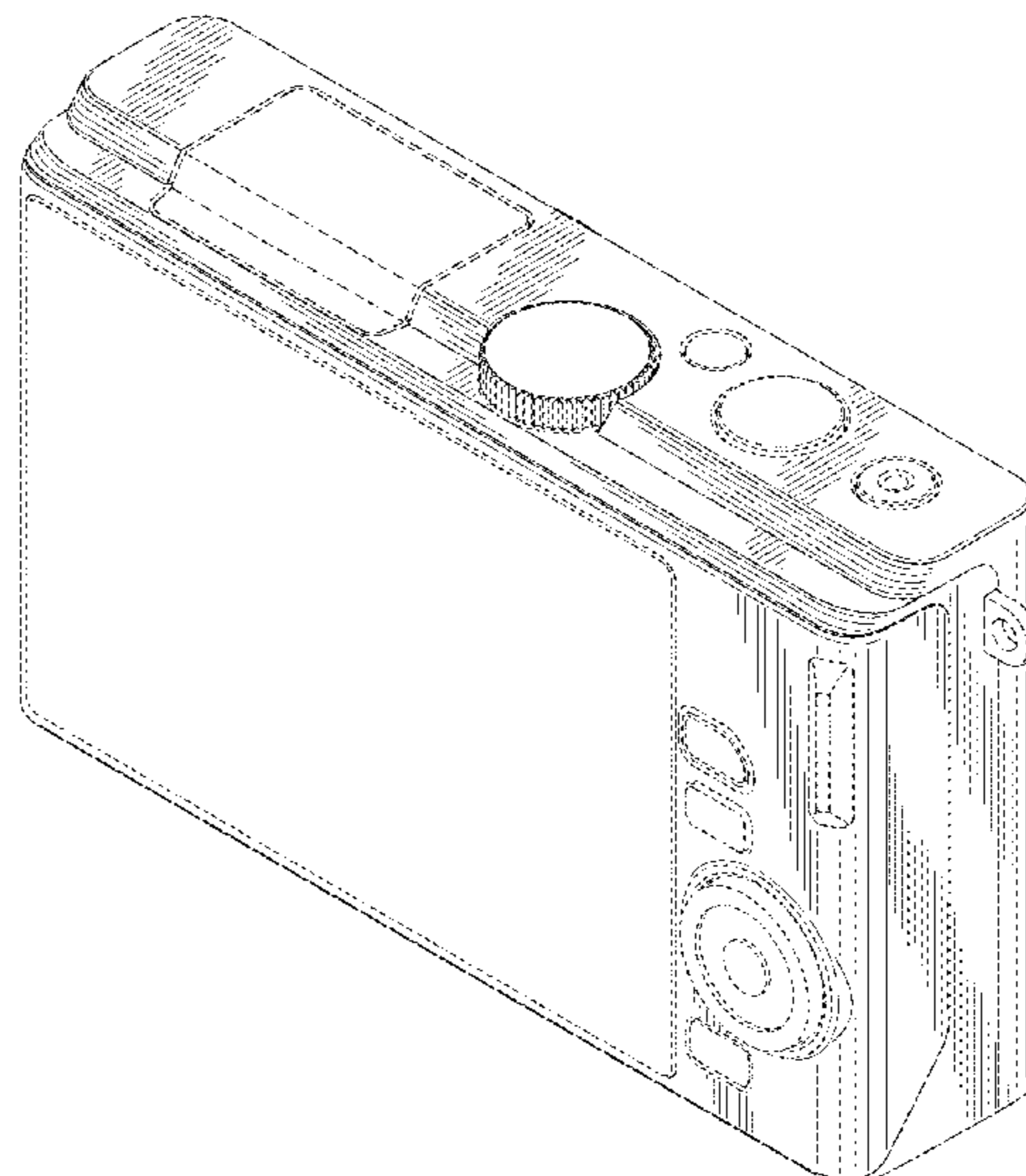
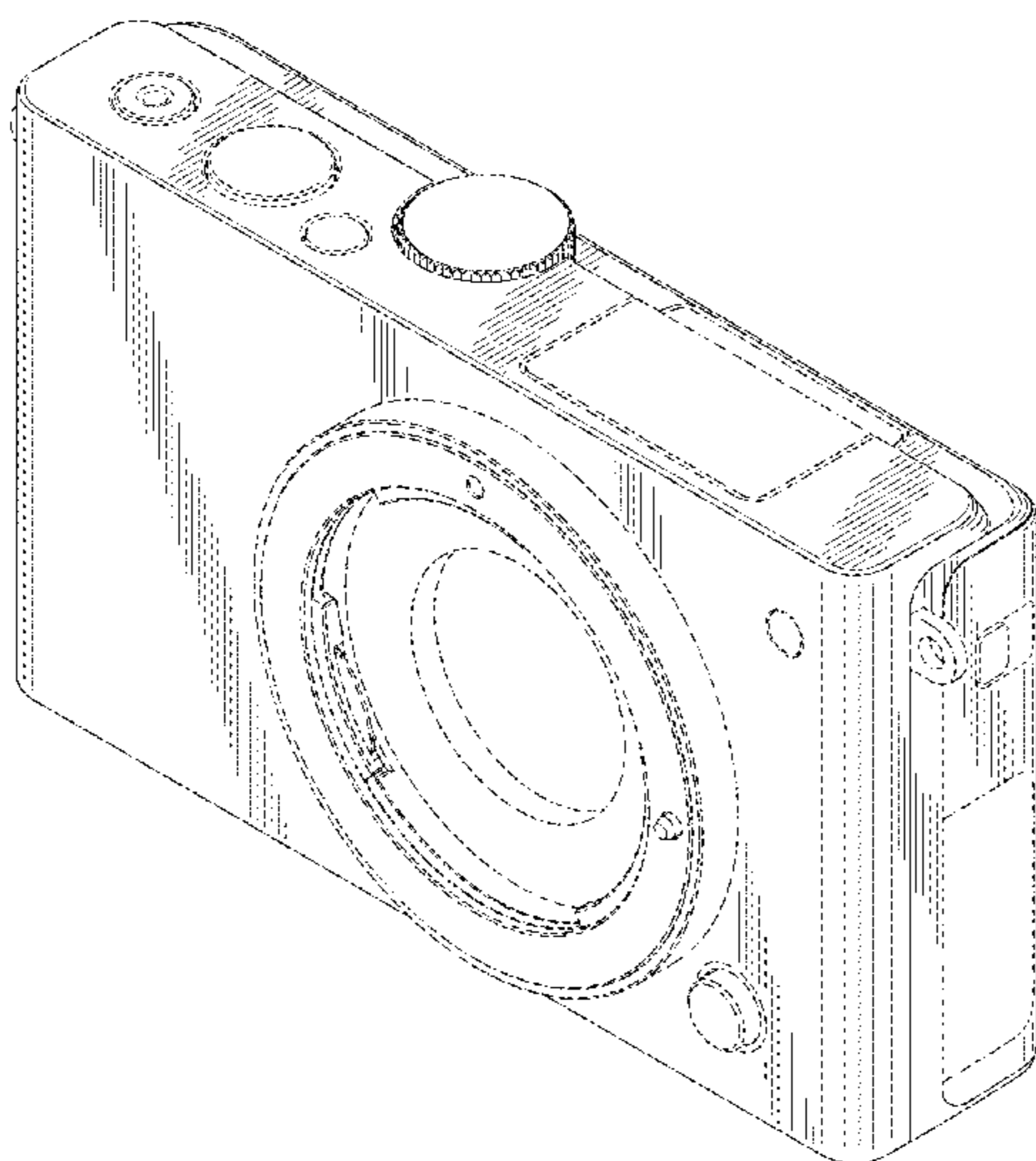
(57) **CLAIM**

The ornamental design for a digital camera, as shown and described.

DESCRIPTION

FIG. 1 is a front, top and right side perspective view of a digital camera showing my new design; FIG. 2 is a rear, top and left side perspective view thereof; FIG. 3 is a front elevational view thereof; FIG. 4 is a rear elevational view thereof; FIG. 5 is a top plan view thereof; FIG. 6 is a bottom plan view thereof; FIG. 7 is a right side elevational view thereof; and, FIG. 8 is a left side elevational view thereof. The broken lines depict portions of the digital camera in which the design is embodied and form no part of the claimed design.

1 Claim, 8 Drawing Sheets



(56)

References Cited

OTHER PUBLICATIONS

Website, http://www.nikon-image.com/products/camera/acil/body/nikon1_j3/, Release Date: Unknown but released at least as early as

Jan. 2013; Nikon Corporation, Title: Product information for “Nikon 1 J3”, advanced camera with interchangeable lenses, pp. 1-3.

* cited by examiner

FIG. 1

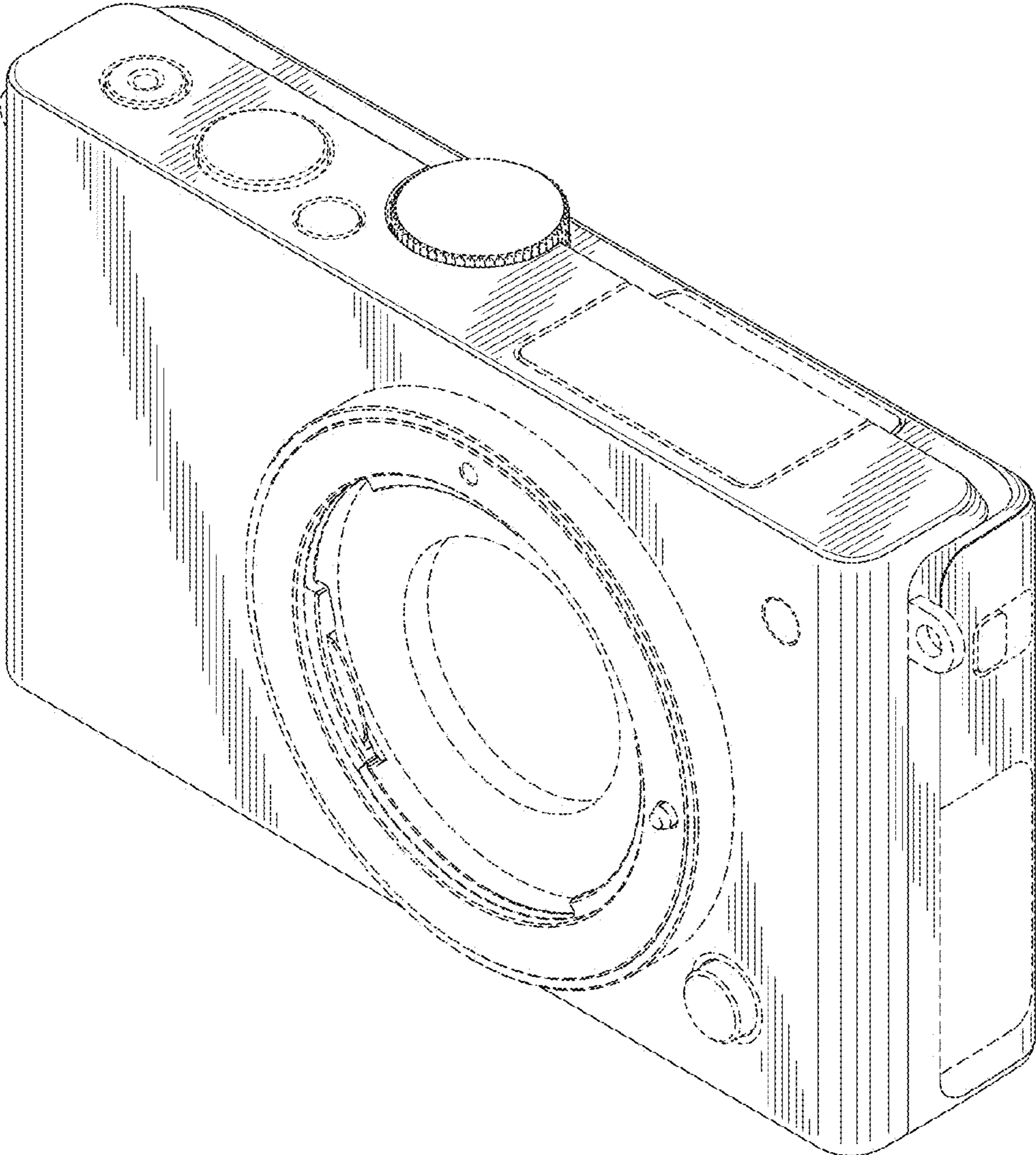


FIG. 2

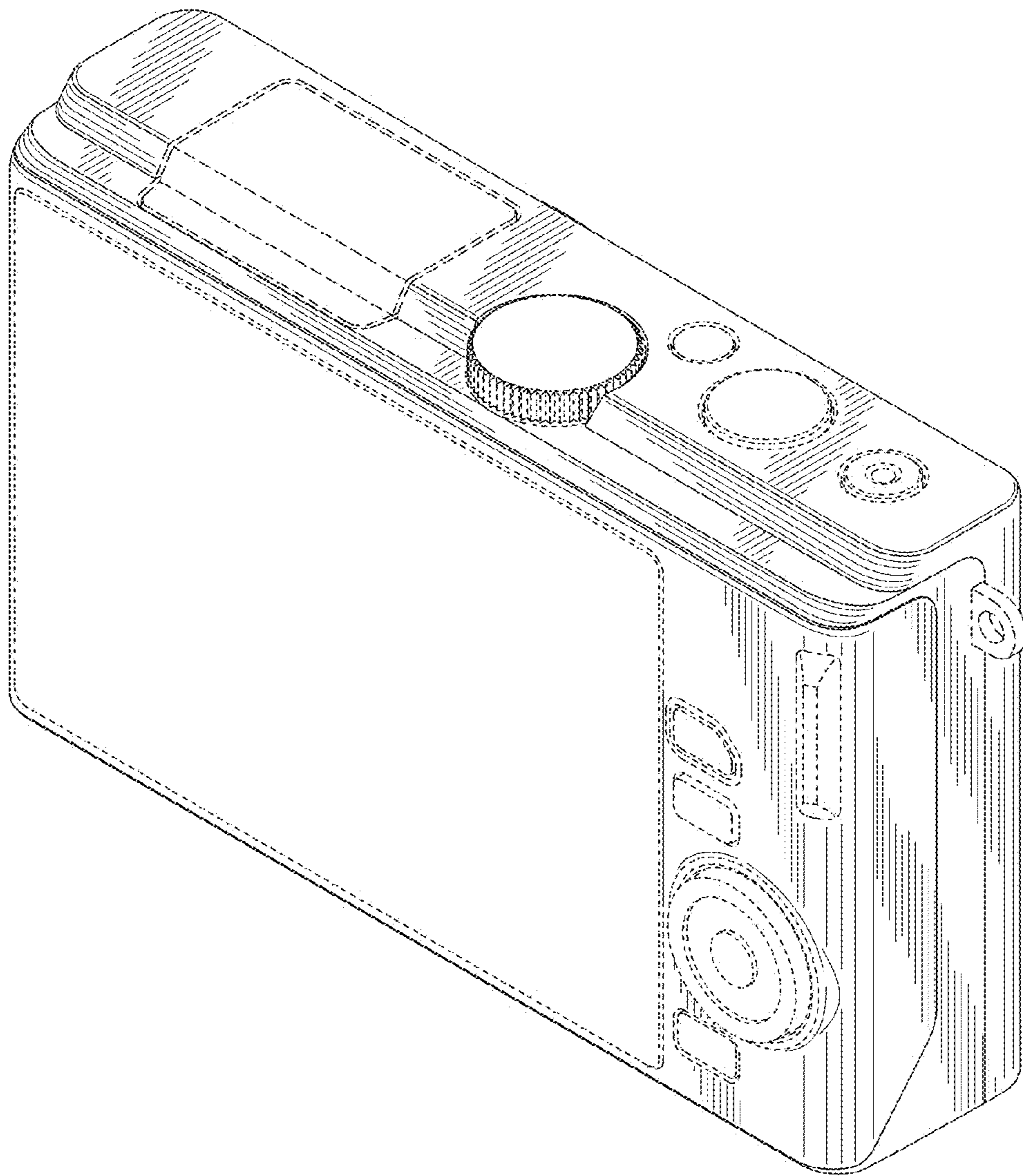


FIG. 3

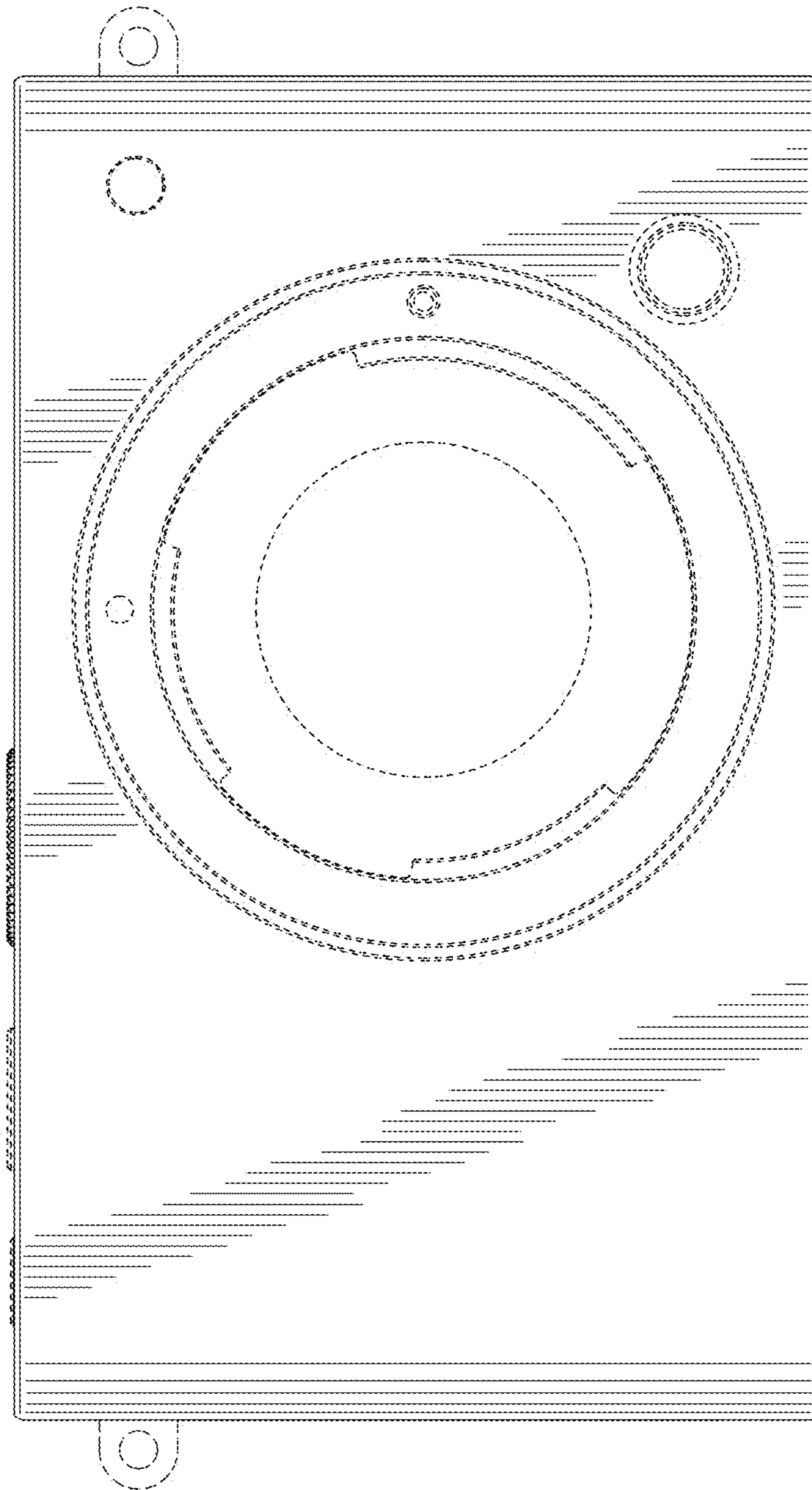


FIG. 4

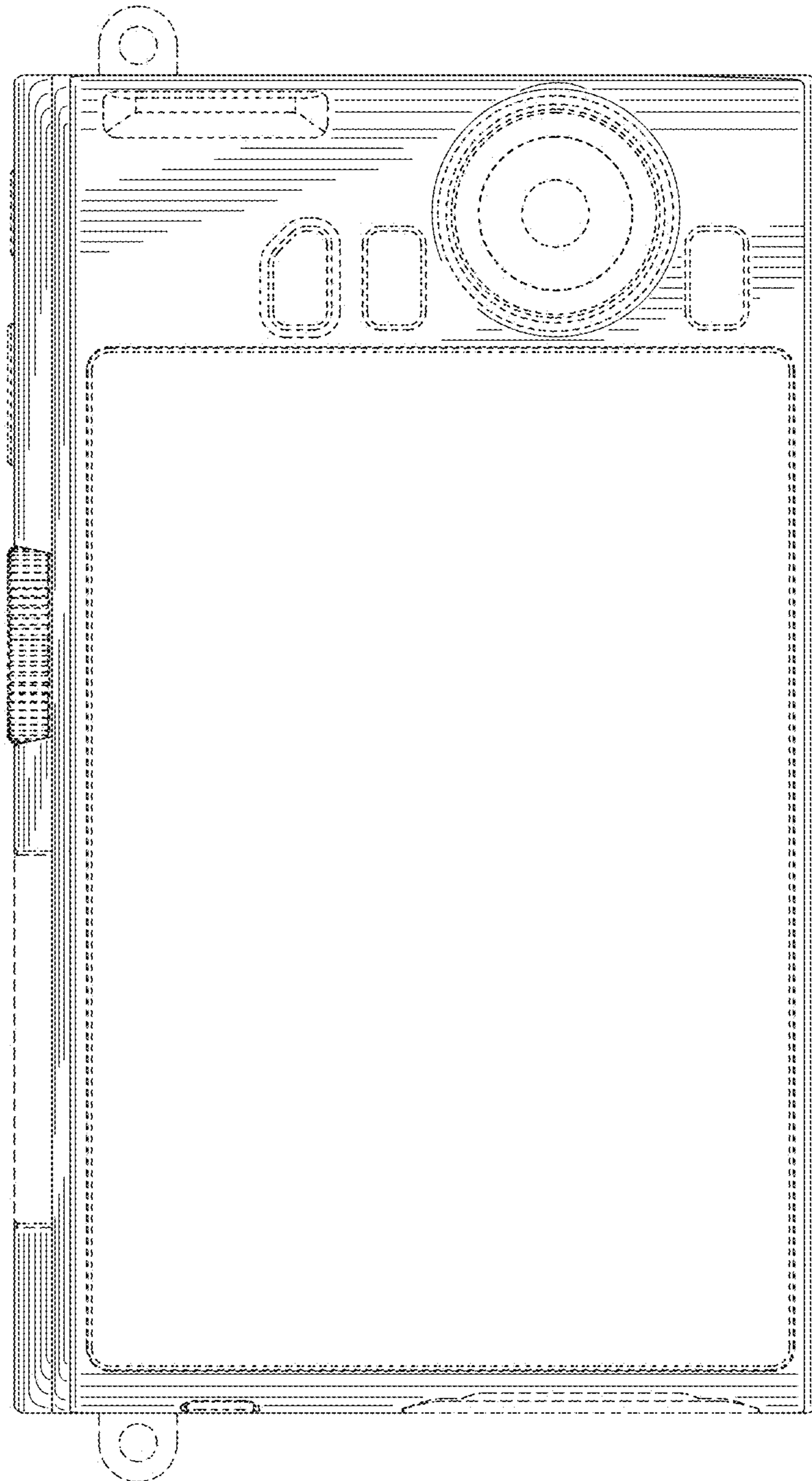


FIG. 5

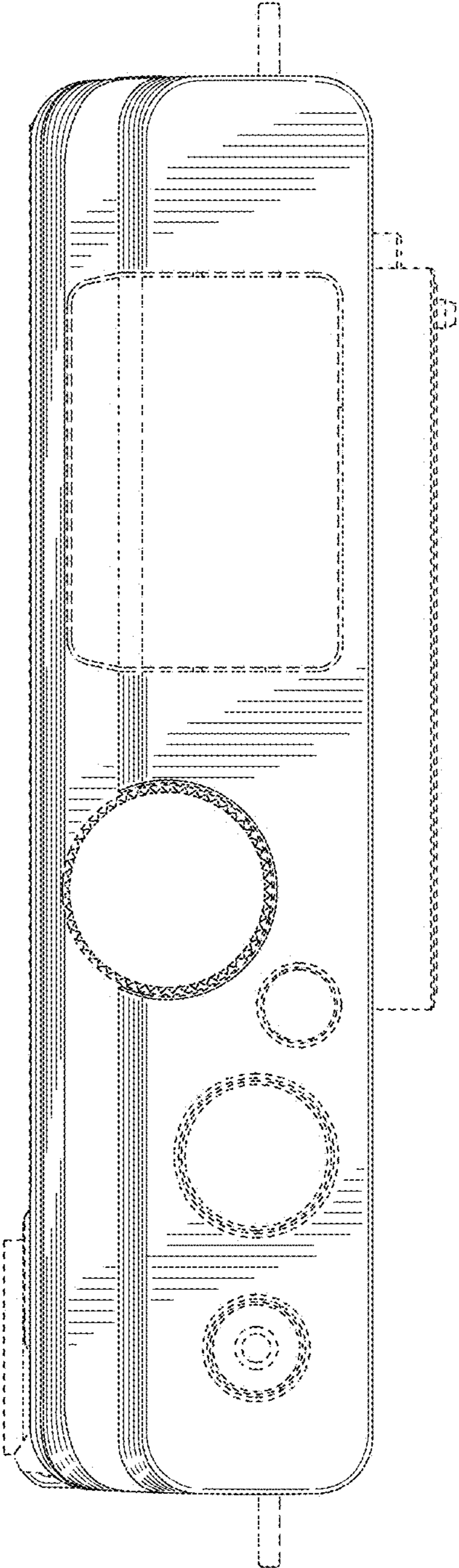


FIG. 6

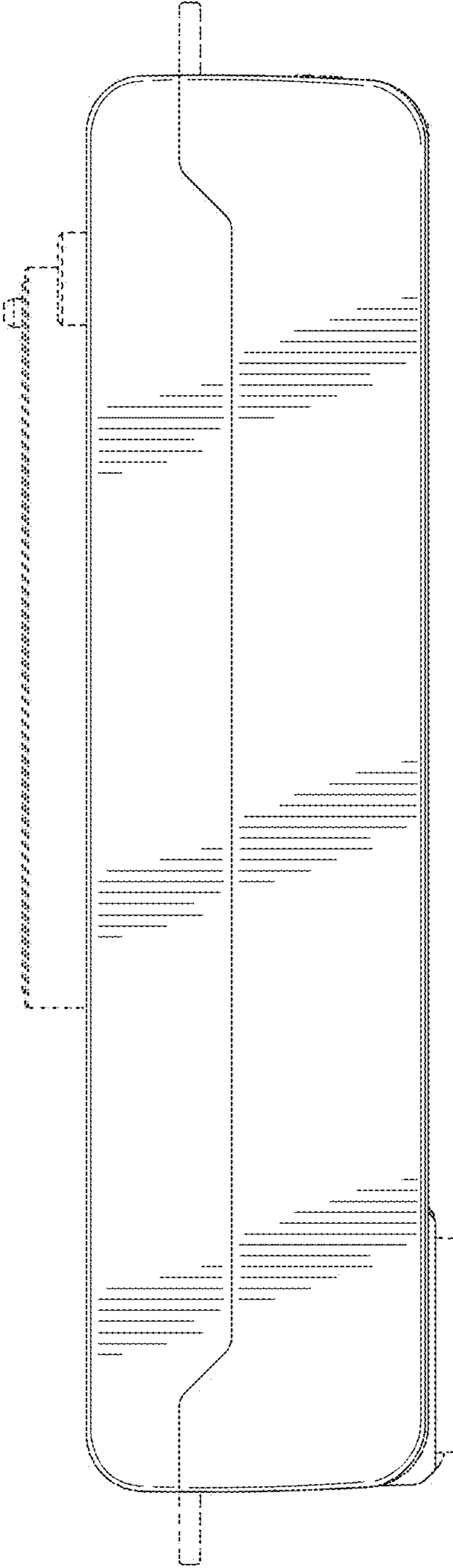


FIG. 7

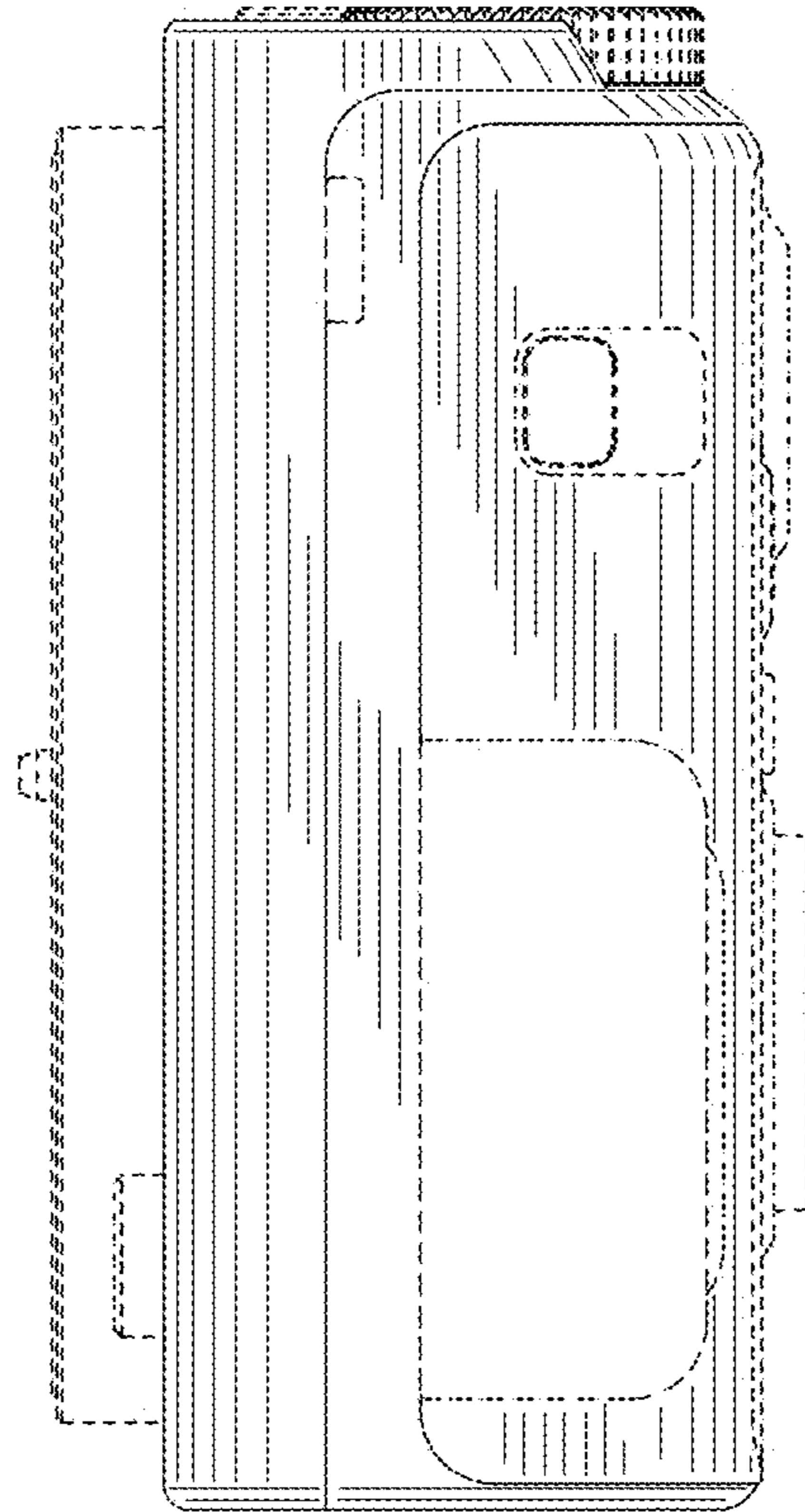


FIG. 8

