

US00D722331S

(12) **United States Design Patent**
Shinozaki

(10) **Patent No.:** **US D722,331 S**
(45) **Date of Patent:** **** Feb. 10, 2015**

(54) **DRESSING PELLETT FOR DRESSER DISK**

(56) **References Cited**

(71) Applicant: **Ebara Corporation**, Tokyo (JP)

U.S. PATENT DOCUMENTS

(72) Inventor: **Hiroyuki Shinozaki**, Tokyo (JP)

(73) Assignee: **Ebara Corporation**, Tokyo (JP)

(**) Term: **14 Years**

(21) Appl. No.: **29/462,313**

(22) Filed: **Aug. 1, 2013**

D55,989	S	*	8/1920	Lipsz	D14/176
2,225,193	A	*	12/1940	Benner et al.	451/542
2,442,129	A	*	5/1948	Hollstrom	451/548
3,121,982	A	*	2/1964	Miller	451/548
4,768,667	A	*	9/1988	Magnusson	215/255
D305,871	S	*	2/1990	Geiger	D9/435
D305,987	S	*	2/1990	Magnusson	D9/438
5,782,682	A	*	7/1998	Han et al.	451/548
D444,483	S	*	7/2001	Sunagawa	D15/126
6,267,645	B1	*	7/2001	Burga et al.	451/41
7,175,514	B2	*	2/2007	Boyer et al.	451/389
D555,680	S	*	11/2007	Popov	D15/126
D585,466	S	*	1/2009	Park	D15/126
D626,976	S	*	11/2010	Park	D15/126
D677,427	S	*	3/2013	Ross	D27/167
D682,695	S	*	5/2013	Lampman	D9/451
2014/0041687	A1	*	2/2014	Shinozaki	134/6

* cited by examiner

Related U.S. Application Data

(63) Continuation-in-part of application No. 29/450,945, filed on Mar. 26, 2013.

Foreign Application Priority Data

Sep. 26, 2012 (JP) 2012-23351
Jun. 19, 2013 (JP) 2013-13816

(51) **LOC (10) Cl.** **15-09**

(52) **U.S. Cl.**
USPC **D15/126**

(58) **Field of Classification Search**
USPC D8/70, 71, 90, 98; D15/124, 126, 138, D15/139; D21/485, 488, 499, 500, 503, D21/504; D25/103, 113-118; 83/589, 67, 83/863; 407/35, 42, 112-119; 451/548-551

See application file for complete search history.

Primary Examiner — Patricia Palasik

(74) *Attorney, Agent, or Firm* — Pearne & Gordon LLP

(57) **CLAIM**

The ornamental design for a dressing pellet for dresser disk, as shown and described.

DESCRIPTION

FIG. 1 is a perspective view, observed from a bottom side of a dressing pellet for dresser disk showing my new design; FIG. 2 is a front view thereof; FIG. 3 is a bottom view thereof; FIG. 4 is a plain view thereof; and, FIG. 5 is a right side view thereof.

1 Claim, 1 Drawing Sheet

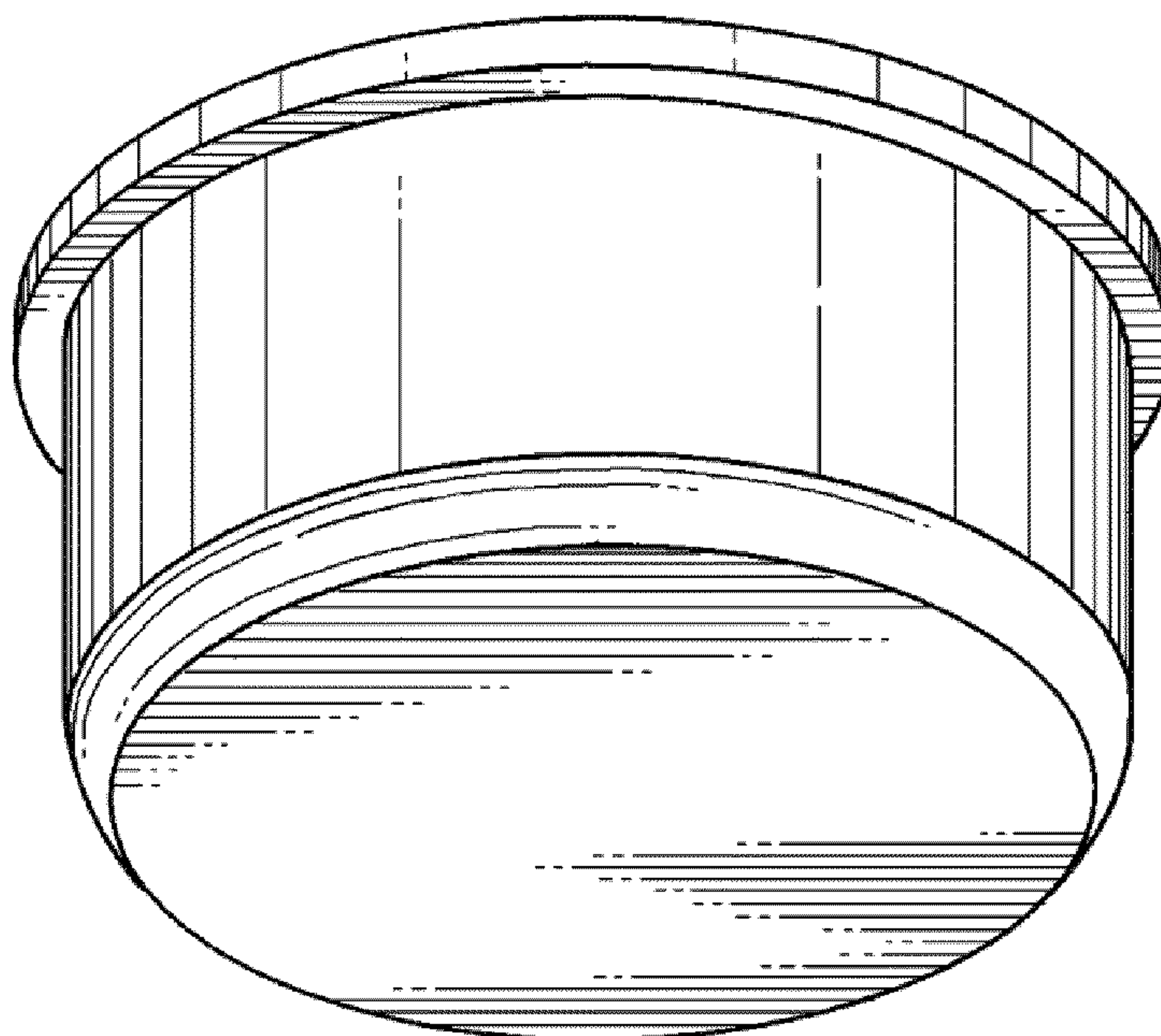


FIG. 1

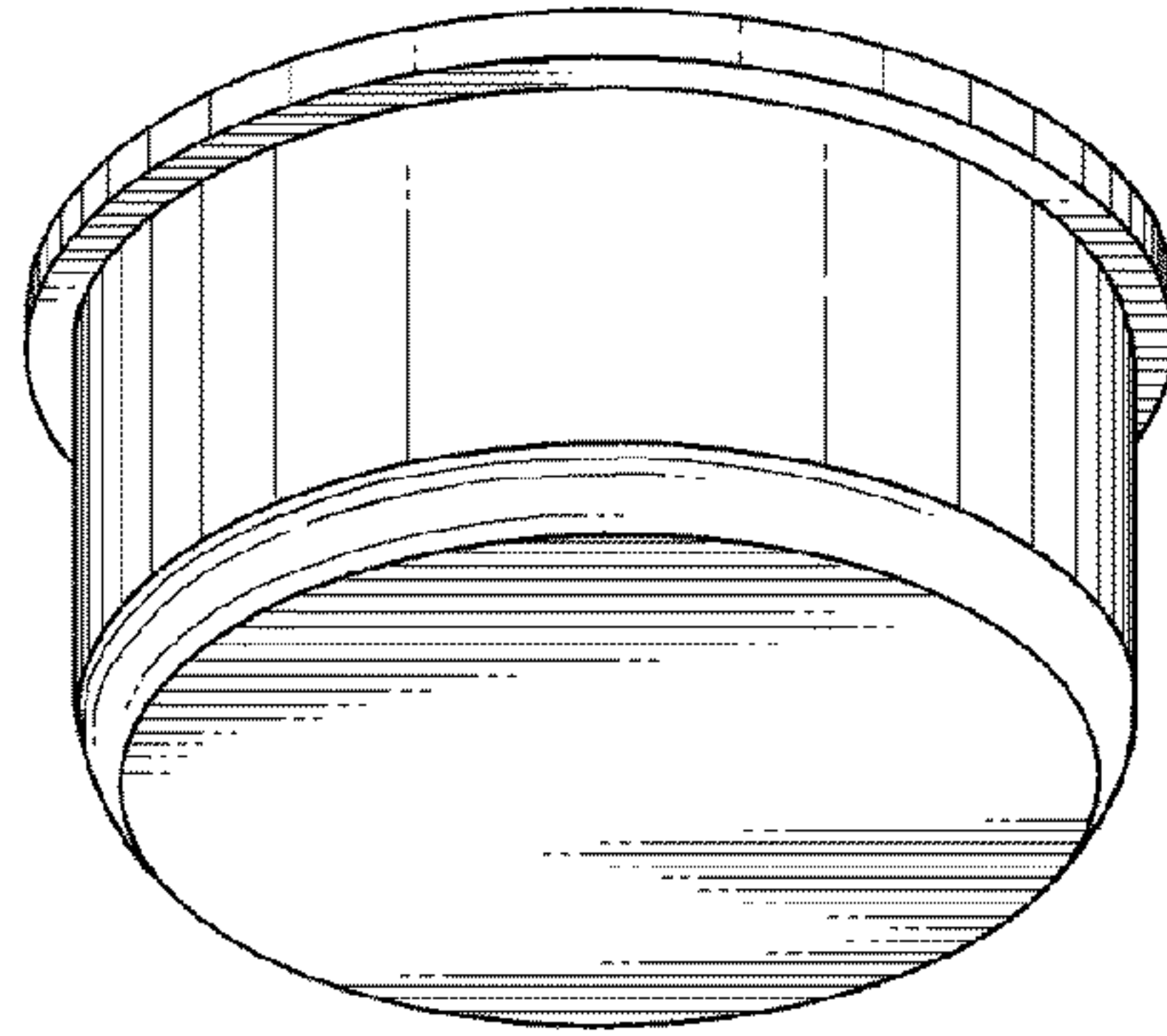


FIG. 2

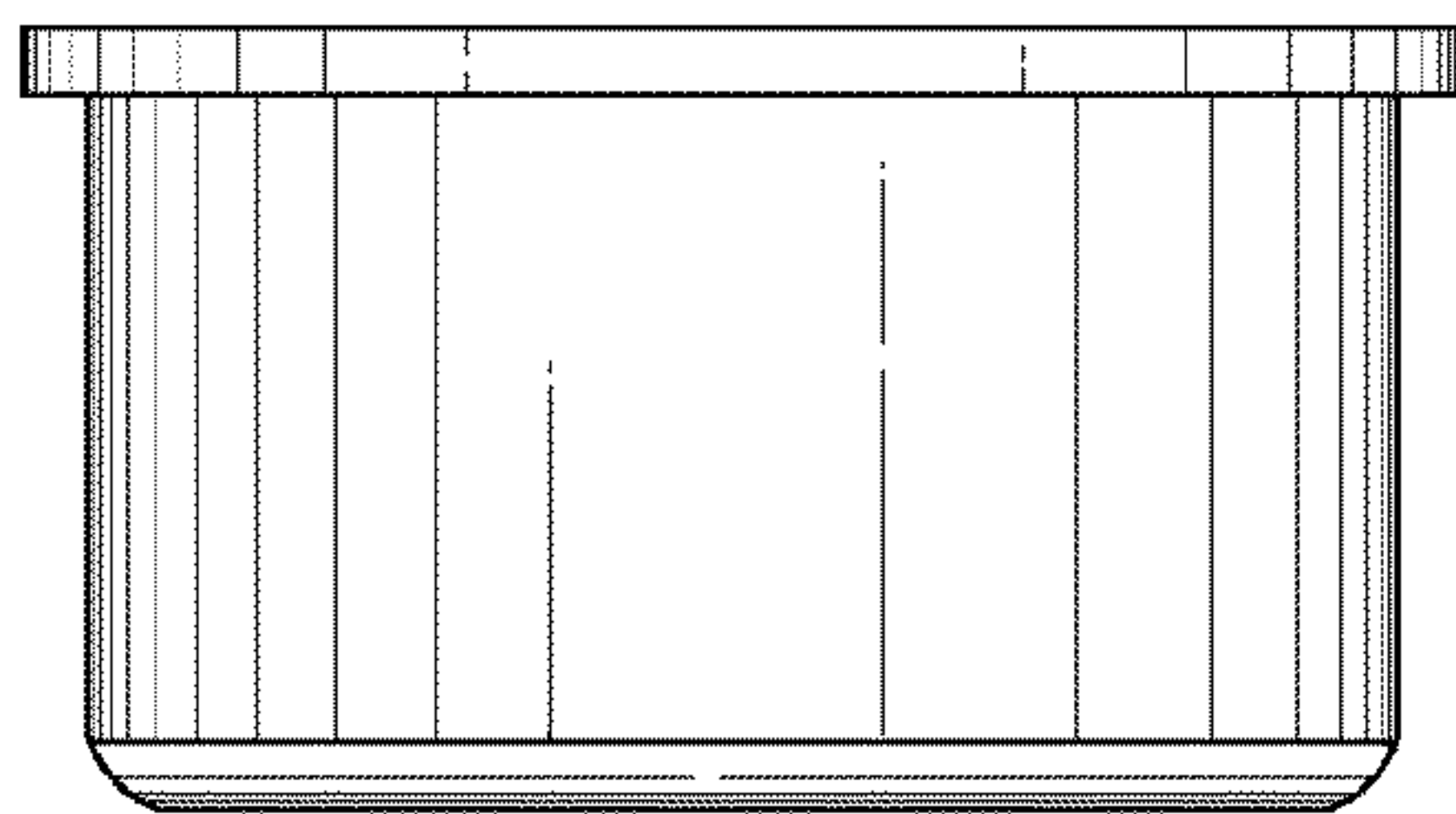


FIG. 3

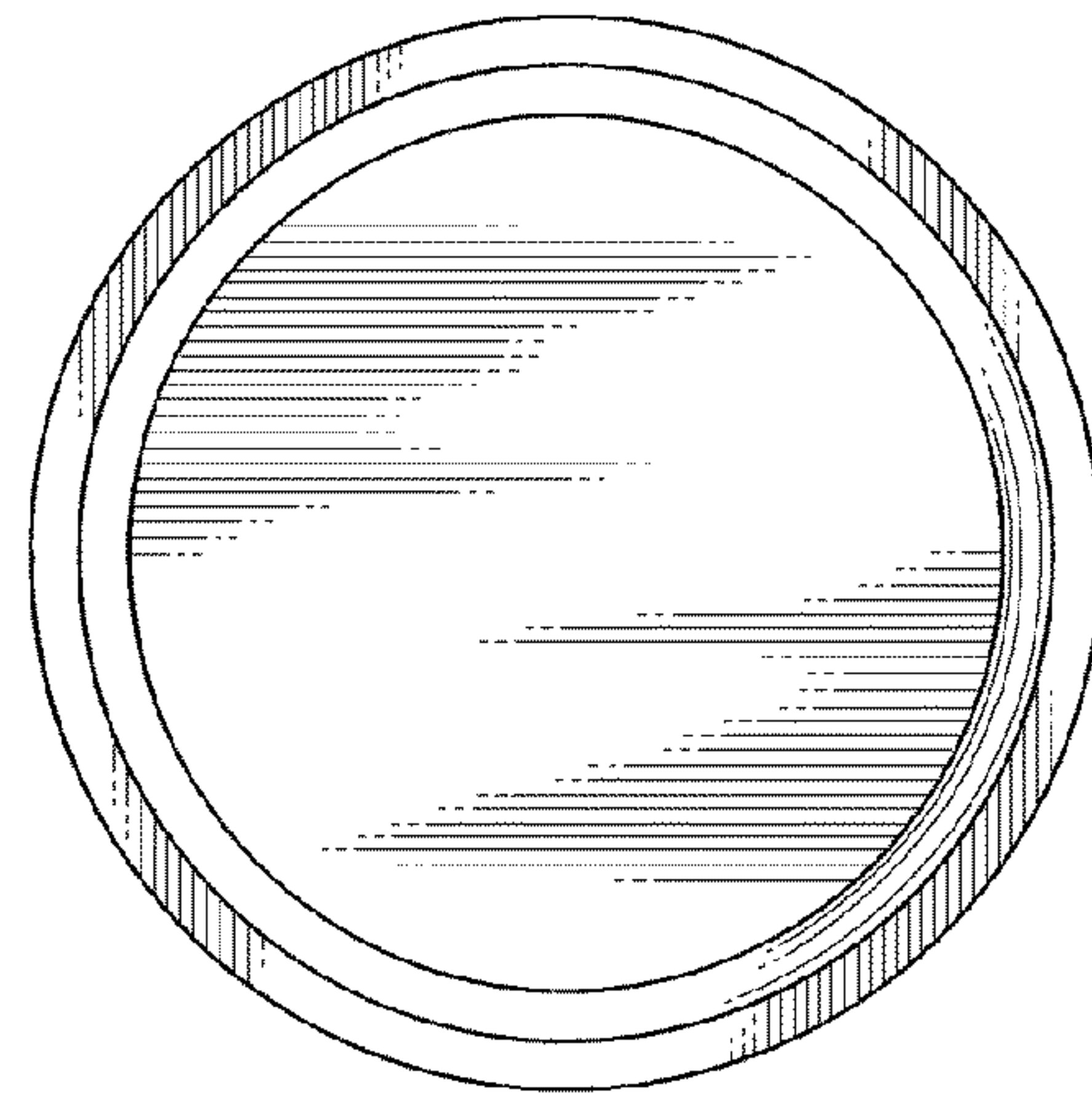


FIG. 4

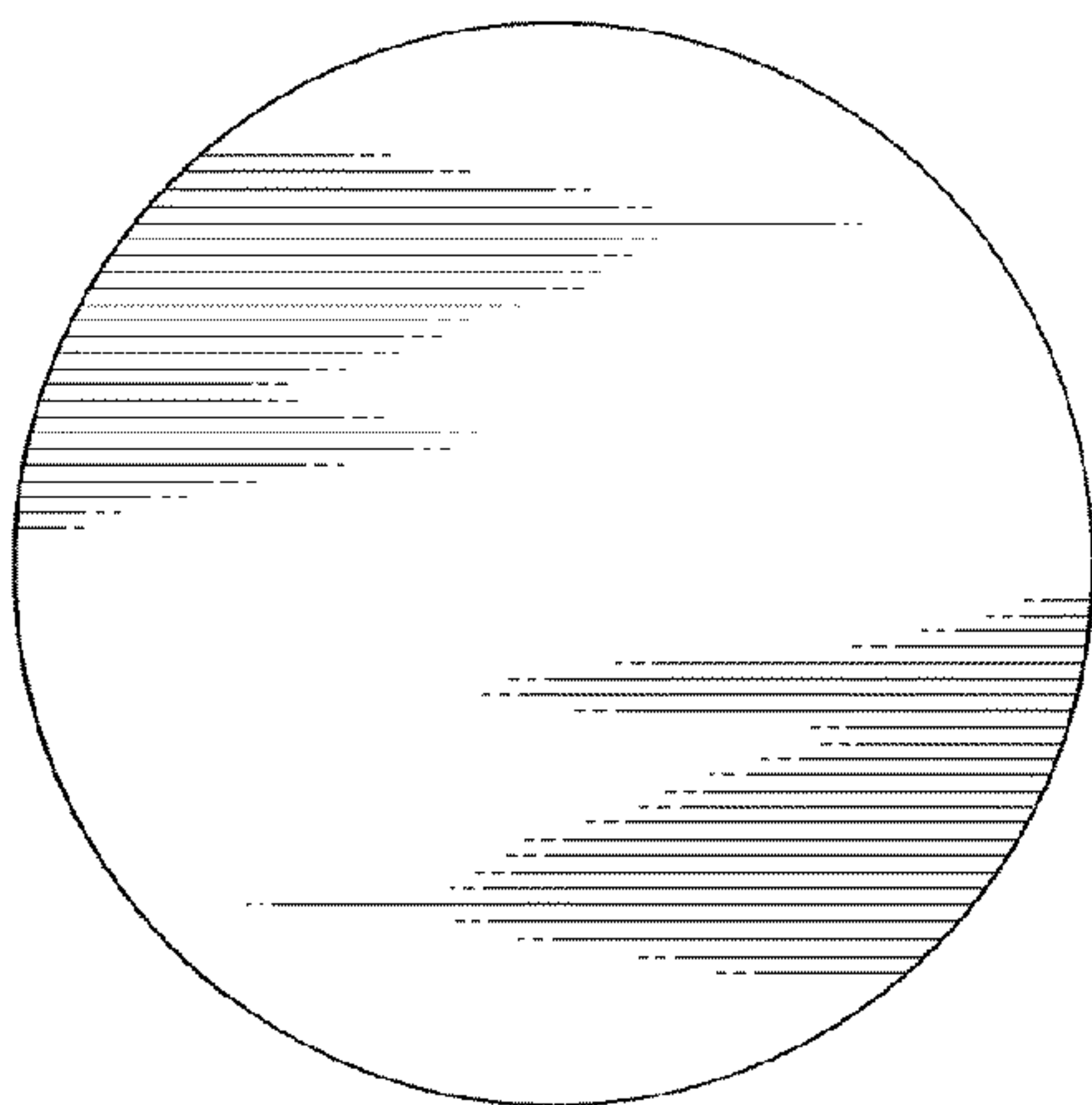


FIG. 5

