



US00D722328S

(12) **United States Design Patent**  
**Sarder et al.**

(10) **Patent No.:** **US D722,328 S**

(45) **Date of Patent:** **\*\* Feb. 10, 2015**

(54) **FUEL PUMP ASSEMBLY**

(71) Applicant: **Champion Engine Technology, LLC**,  
Sussex, WI (US)

(72) Inventors: **Mark J. Sarder**, Waukesha, WI (US);  
**James J. Dehn**, Brookfield, WI (US)

(73) Assignee: **Champion Engine Technology, LLC**,  
Sussex, WI (US)

(\*\*) Term: **14 Years**

(21) Appl. No.: **29/500,311**

(22) Filed: **Aug. 25, 2014**

(51) **LOC (10) Cl.** ..... **15-02**

(52) **U.S. Cl.**  
USPC ..... **D15/7**

(58) **Field of Classification Search**  
CPC ..... F02M 37/04; F02M 37/14  
USPC ..... D15/7-9; D23/231, 232, 225; 417/60,  
417/235, 265, 321, 355, 358, 363, 359,  
417/410.1, 415-416, 405, 900; 60/408,  
60/412; 184/26-37; 415/140-147;  
123/495, 509; 137/565.34

See application file for complete search history.

(56) **References Cited**

**U.S. PATENT DOCUMENTS**

D484,146 S \* 12/2003 Urano et al. .... D15/7  
D534,548 S \* 1/2007 Urano et al. .... D15/7  
D592,681 S \* 5/2009 Hamagishi et al. .... D15/7  
D602,500 S \* 10/2009 Tokunaga et al. .... D15/7

D604,331 S \* 11/2009 Tokunaga et al. .... D15/7  
D604,332 S \* 11/2009 Tokunaga et al. .... D15/7  
D616,903 S \* 6/2010 Kimura et al. .... D15/7  
D700,217 S \* 2/2014 Chu ..... D15/9  
D700,218 S \* 2/2014 Chu ..... D15/9  
D707,259 S \* 6/2014 Timmer ..... D15/7

\* cited by examiner

*Primary Examiner* — Ralf Seifert

(74) *Attorney, Agent, or Firm* — Ziolkowski Patent  
Solutions Group, SC

(57) **CLAIM**

The ornamental design for a fuel pump assembly, as shown  
and described herein.

**DESCRIPTION**

FIG. 1 is a perspective view of a fuel pump assembly in  
accordance with the present invention.

FIG. 2 is a top view thereof;

FIG. 3 is a right side elevational view thereof;

FIG. 4 is a left side elevational view thereof;

FIG. 5 is a front elevational view thereof;

FIG. 6 is a rear elevational view thereof; and

FIG. 7 is a bottom view thereof.

FIG. 8 is a perspective view of the fuel pump assembly of  
FIG. 1 mounted with a fan cover in accordance with the  
present invention;

FIG. 9 is a detailed perspective view thereof; and,

FIG. 10 is a front elevational view thereof.

The broken lines in the drawing views are included for the  
purpose of illustrating portions of the fuel pump assembly  
that form no part of the claimed design.

**1 Claim, 5 Drawing Sheets**

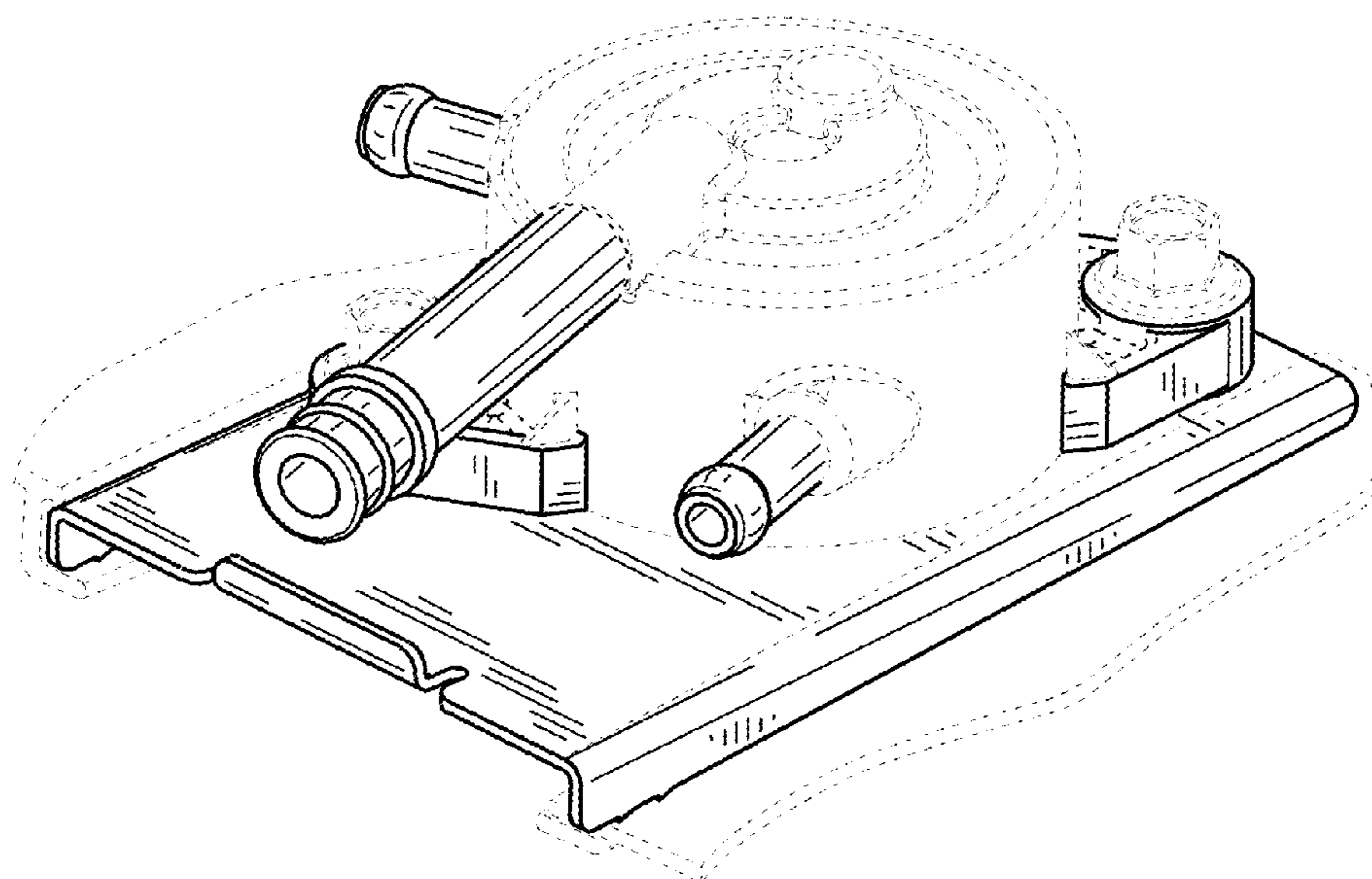


FIG. 1

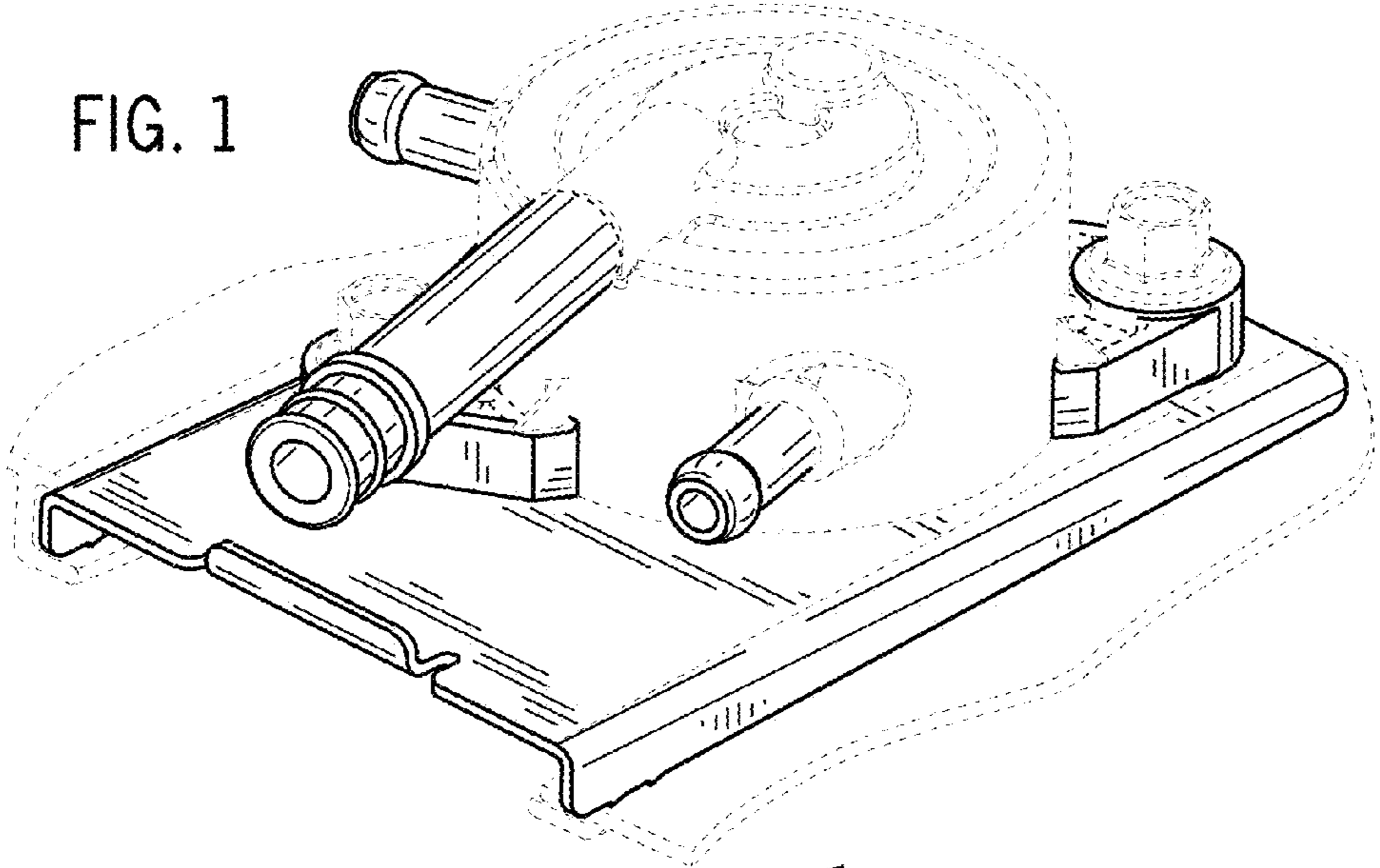
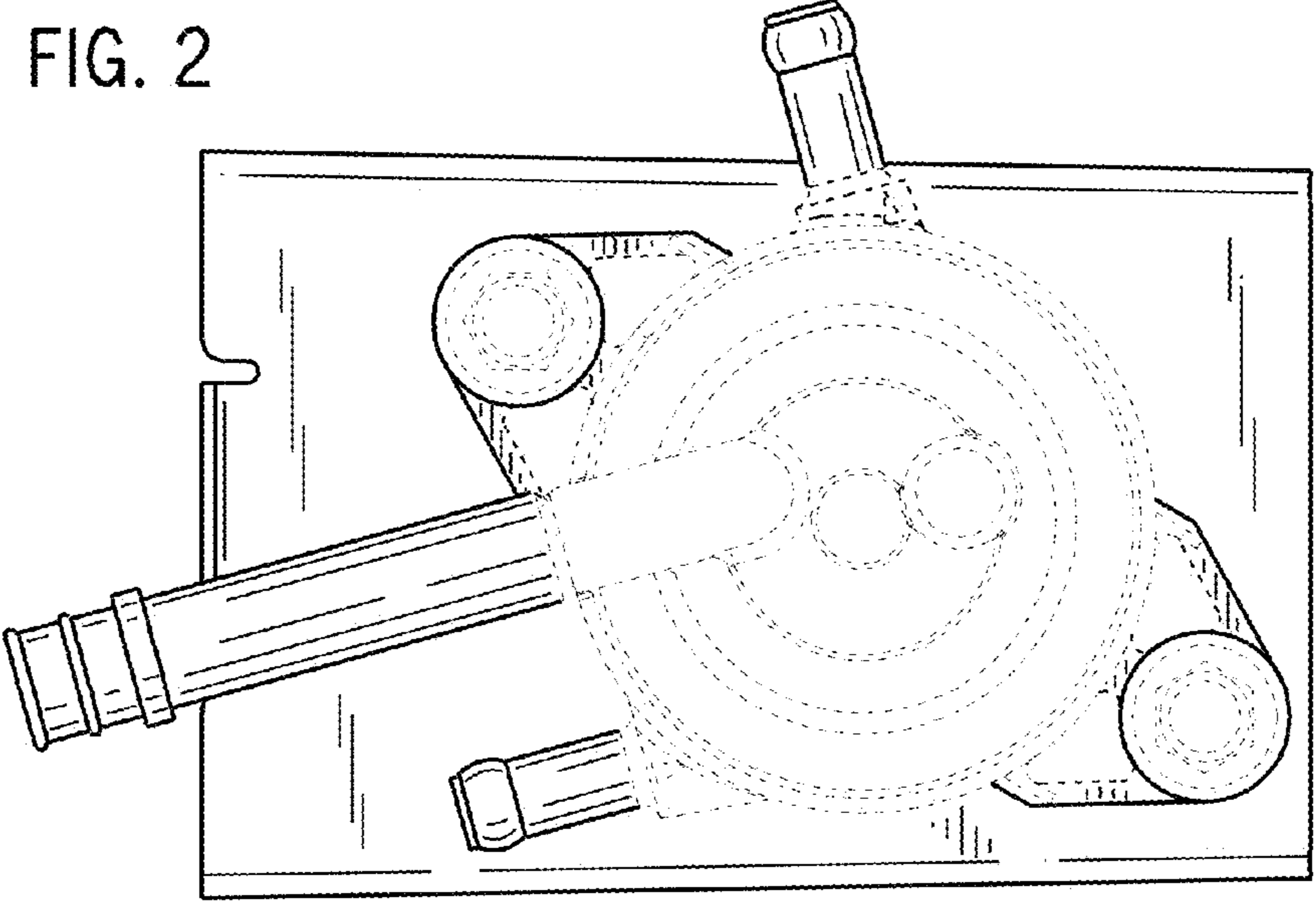
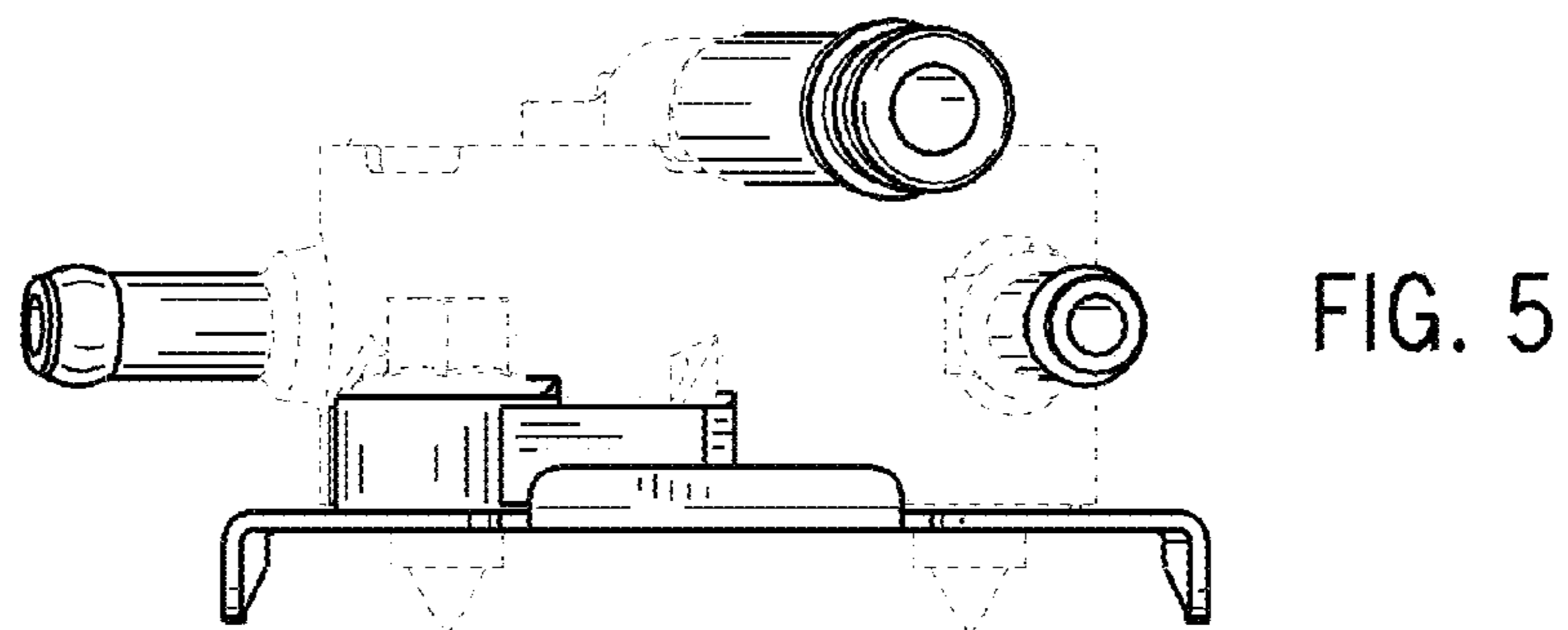
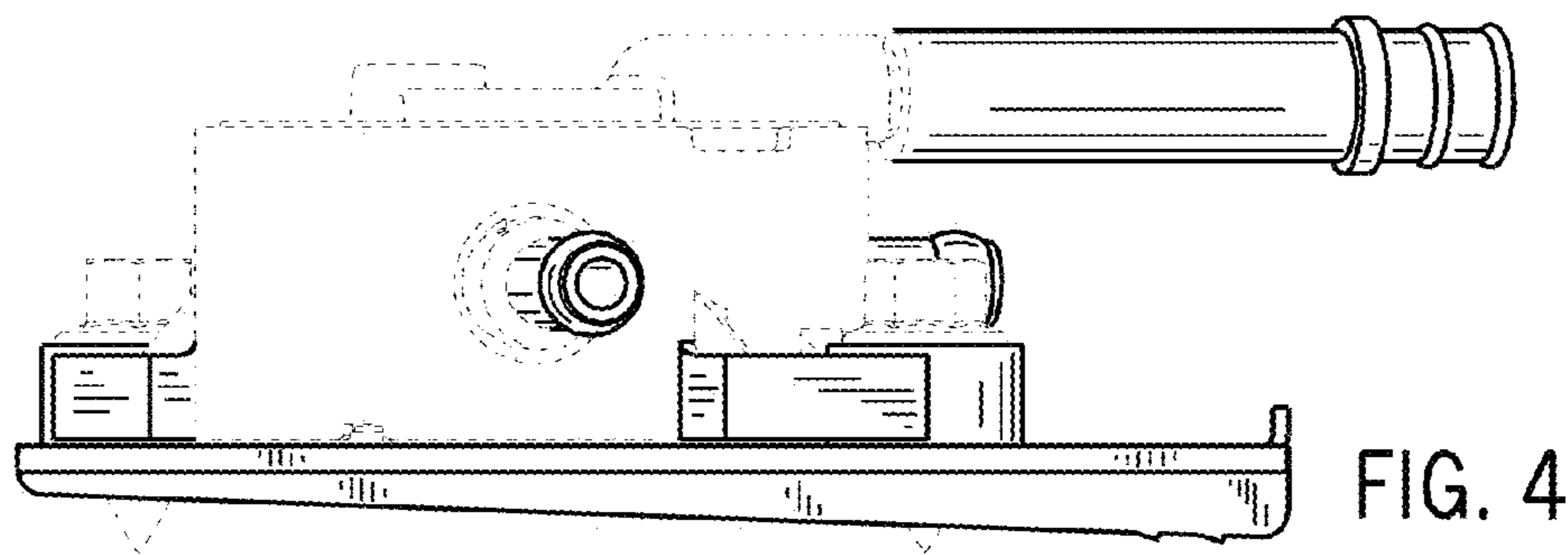
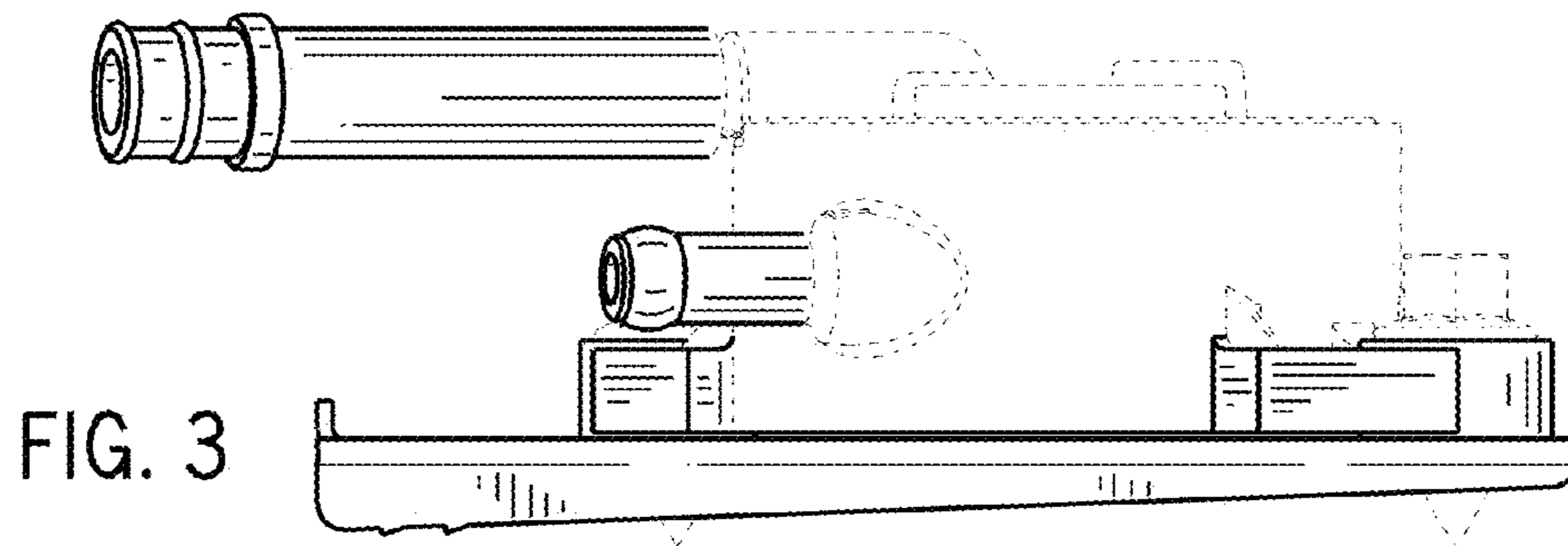


FIG. 2





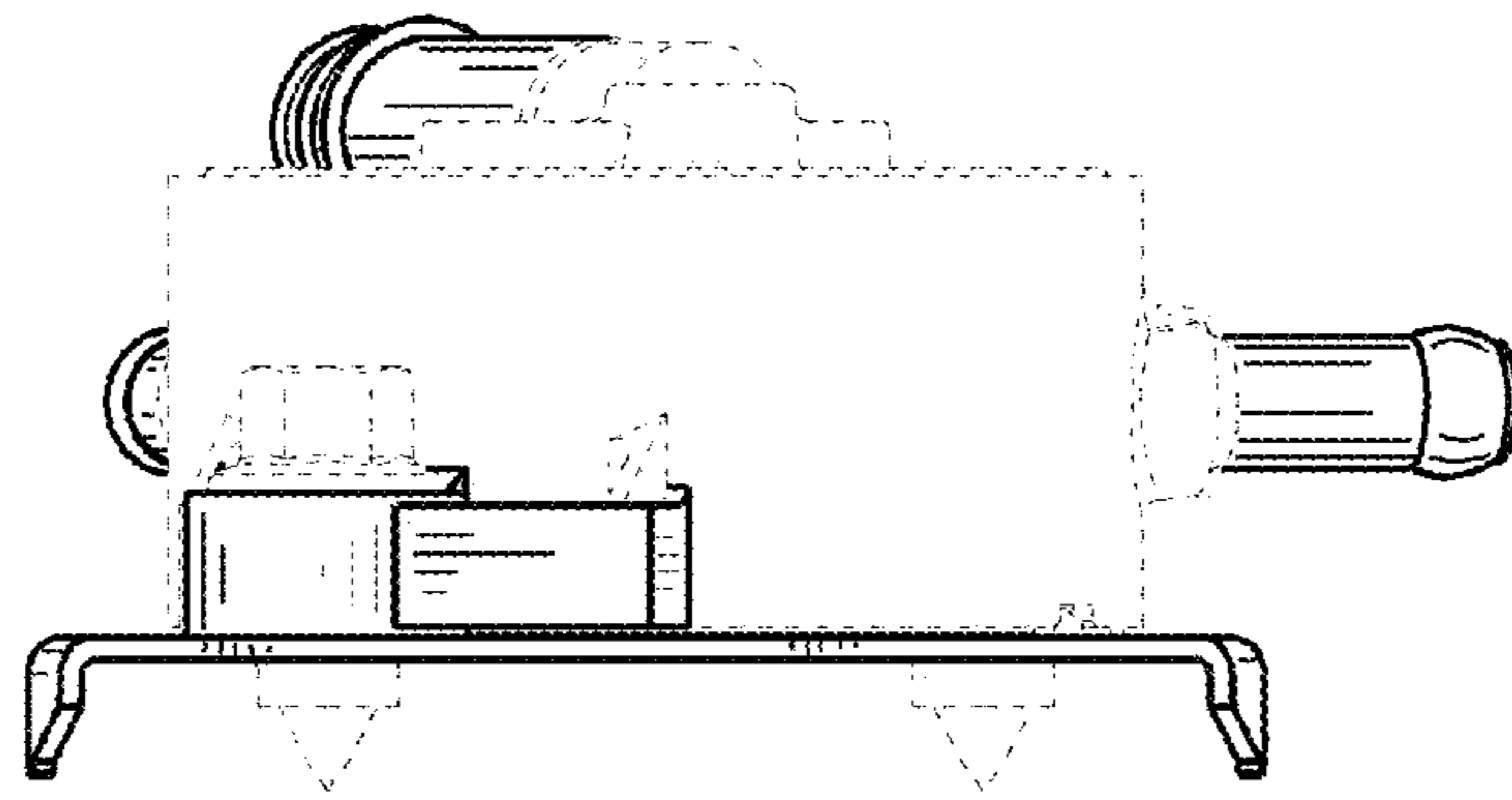


FIG. 6

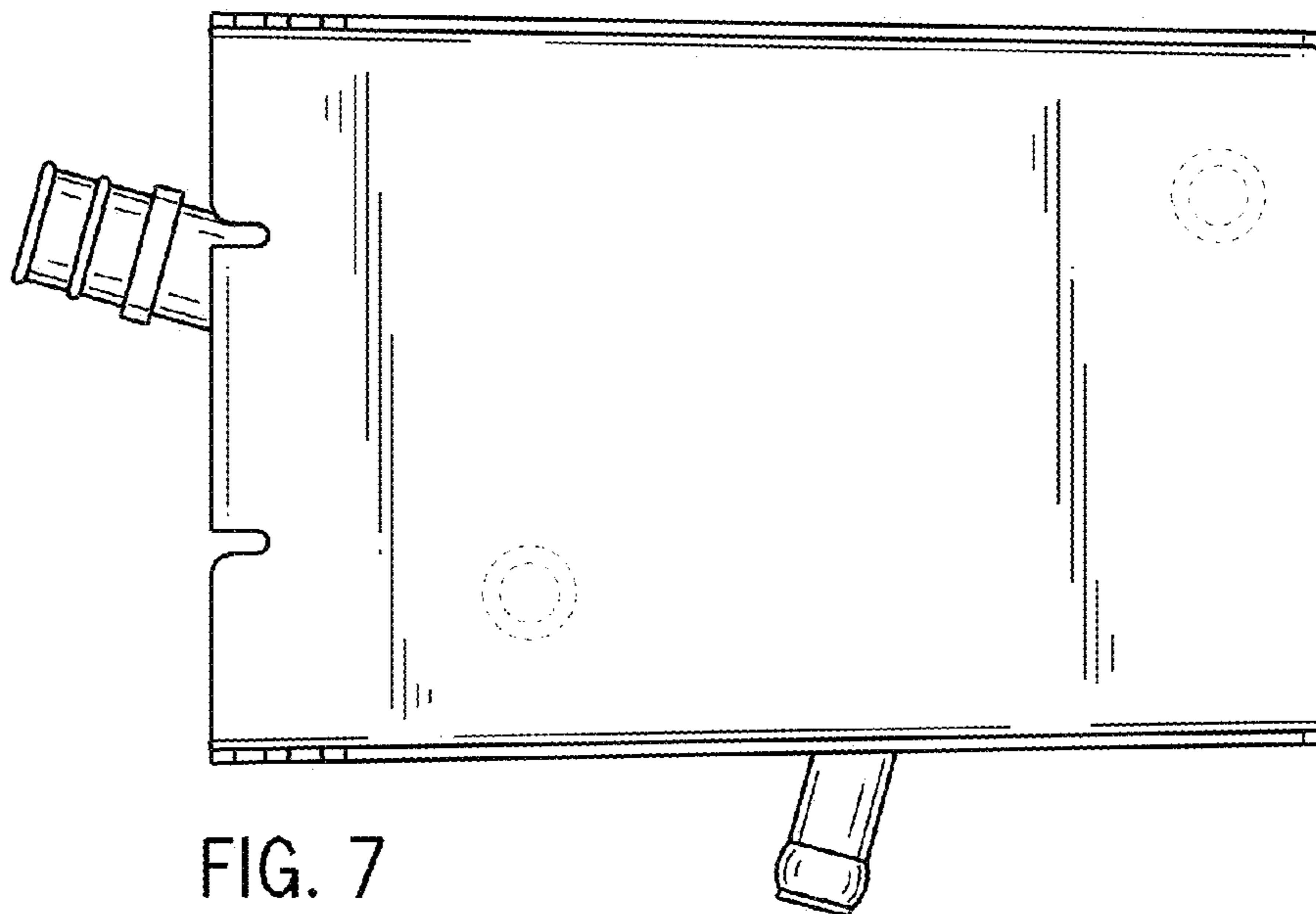


FIG. 7

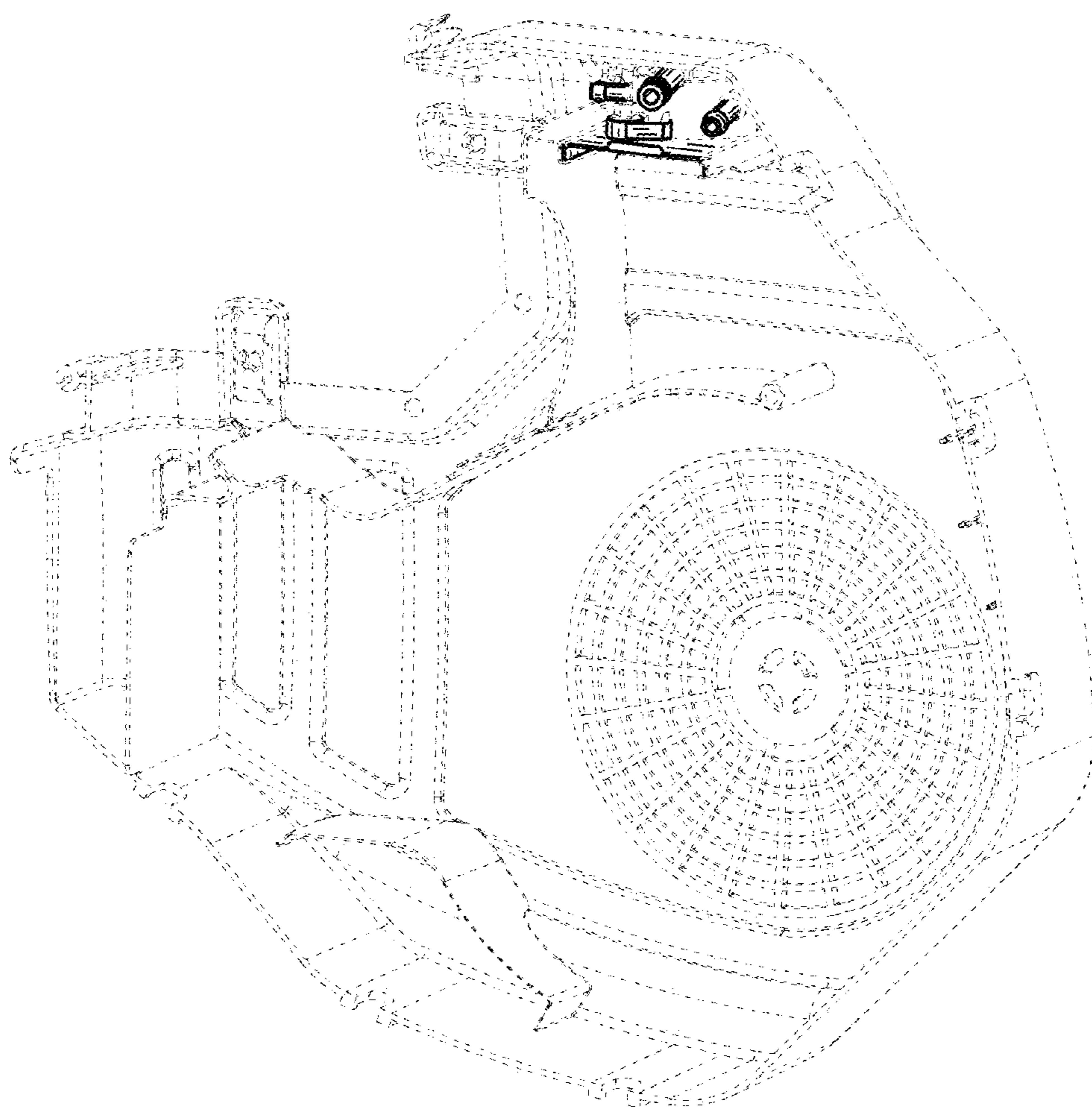


FIG. 8

FIG. 9

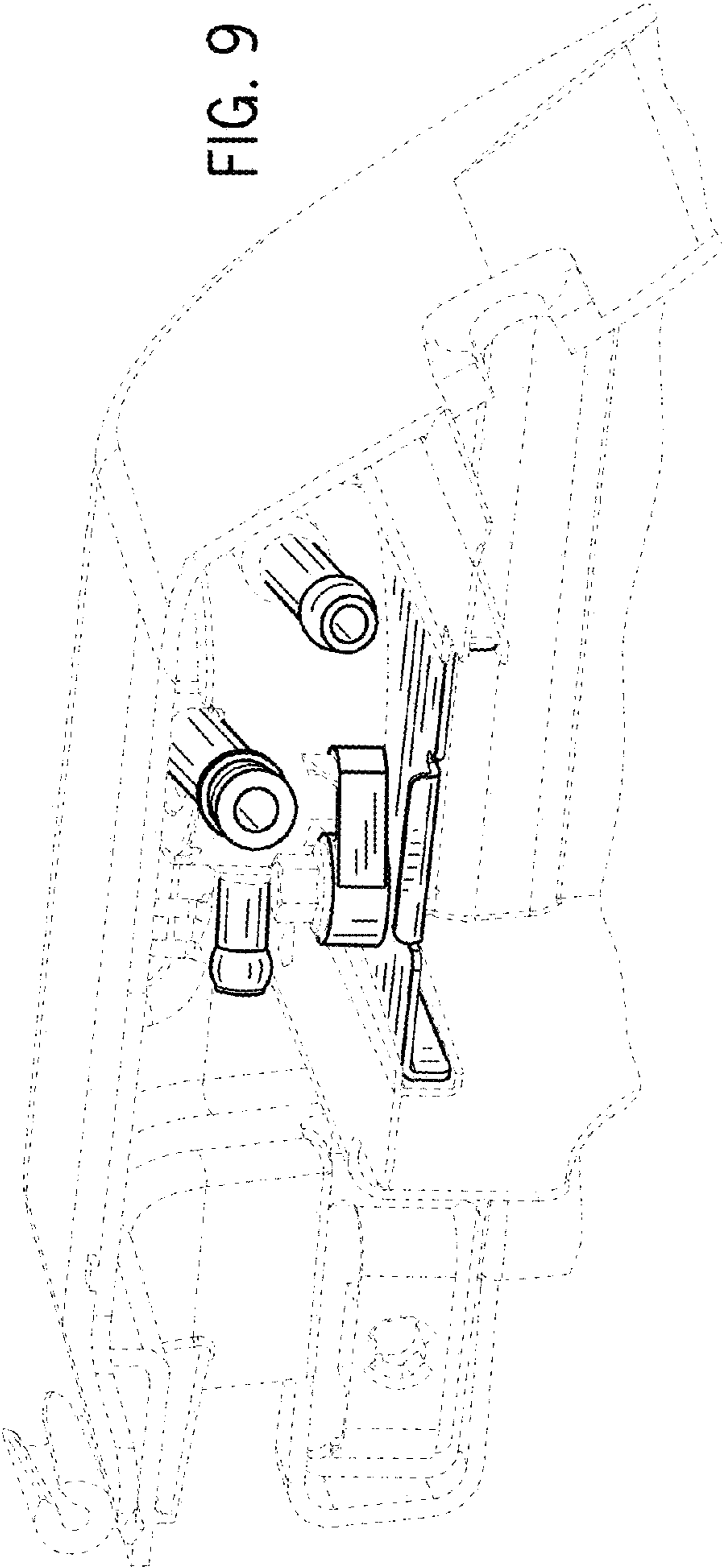


FIG. 10

