



US00D722327S

(12) **United States Design Patent**
Sarder et al.

(10) **Patent No.:** **US D722,327 S**

(45) **Date of Patent:** **** Feb. 10, 2015**

(54) **ENGINE ROCKER COVER**

(71) Applicant: **Champion Engine Technology, LLC**,
Sussex, WI (US)

(72) Inventors: **Mark J. Sarder**, Waukesha, WI (US);
James J. Dehn, Brookfield, WI (US)

(73) Assignee: **Champion Engine Technology, LLC**,
Sussex, WI (US)

(**) Term: **14 Years**

(21) Appl. No.: **29/481,017**

(22) Filed: **Jan. 31, 2014**

(51) **LOC (10) Cl.** **15-01**

(52) **U.S. Cl.**
USPC **D15/5**

(58) **Field of Classification Search**
USPC D15/1-6; D12/400; 123/195 C, 198 E,
123/90.37, 90.38, 572, 573, 90.27, 41.86
See application file for complete search history.

(56) **References Cited**

U.S. PATENT DOCUMENTS

D343,843	S	*	2/1994	Mikado	D15/1
D396,476	S	*	7/1998	Shimizu	D15/1
D421,024	S		2/2000	Katoh		
6,412,478	B1	*	7/2002	Ruehlow et al.	123/572
D515,589	S	*	2/2006	Lin et al.	D15/1
D516,580	S	*	3/2006	Li	D15/1
D516,582	S	*	3/2006	Giddens	D15/5

D531,641	S	*	11/2006	Schultz et al.	D15/5
D634,337	S	*	3/2011	Yan et al.	D15/10
D638,444	S	*	5/2011	He et al.	D15/1
D679,731	S	*	4/2013	Wood	D15/5
D708,645	S	*	7/2014	Sarder et al.	D15/5
2003/0154934	A1	*	8/2003	Nakamizo et al.	123/41.56
2011/0017166	A1	*	1/2011	Schneiker	123/195 C
2012/0304948	A1	*	12/2012	Schneiker	123/90.41
2013/0298857	A1	*	11/2013	Gillette, II	123/90.38

* cited by examiner

Primary Examiner — T. Chase Nelson

Assistant Examiner — Ania Aman

(74) *Attorney, Agent, or Firm* — Ziolkowski Patent Solutions Group, SC

(57) **CLAIM**

The ornamental design for an engine rocker cover, as shown and described herein.

DESCRIPTION

FIG. 1 is a perspective view of an engine rocker cover in accordance with the present invention.

FIG. 2 is a front elevational view thereof;

FIG. 3 is a left side elevational view thereof;

FIG. 4 is a right side elevational view thereof;

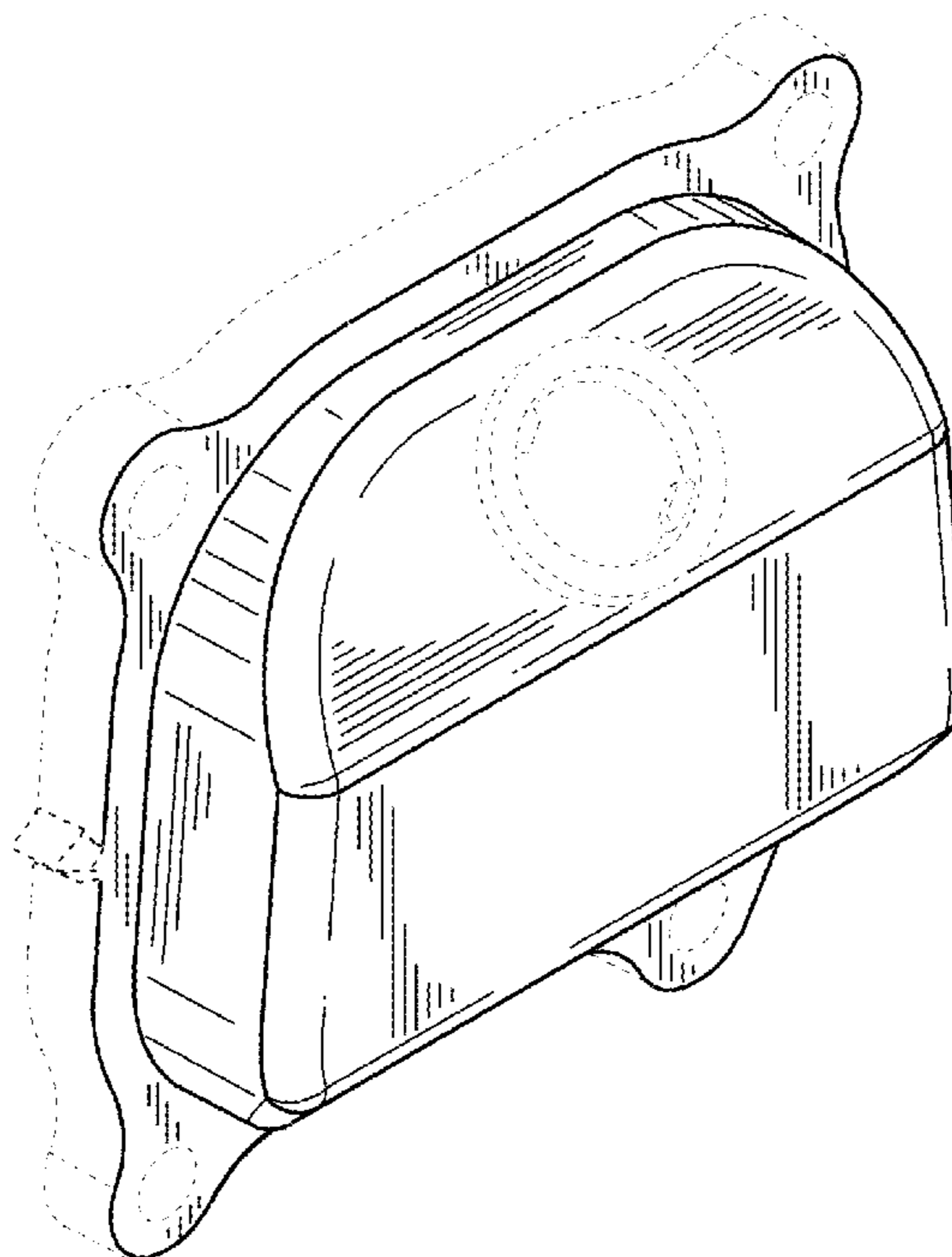
FIG. 5 is a top view thereof;

FIG. 6 is a bottom view thereof; and,

FIG. 7 is a rear elevational view thereof.

The broken lines in the drawing views are included for the purpose of illustrating portions of the engine rocker cover that form no part of the claimed design.

1 Claim, 3 Drawing Sheets



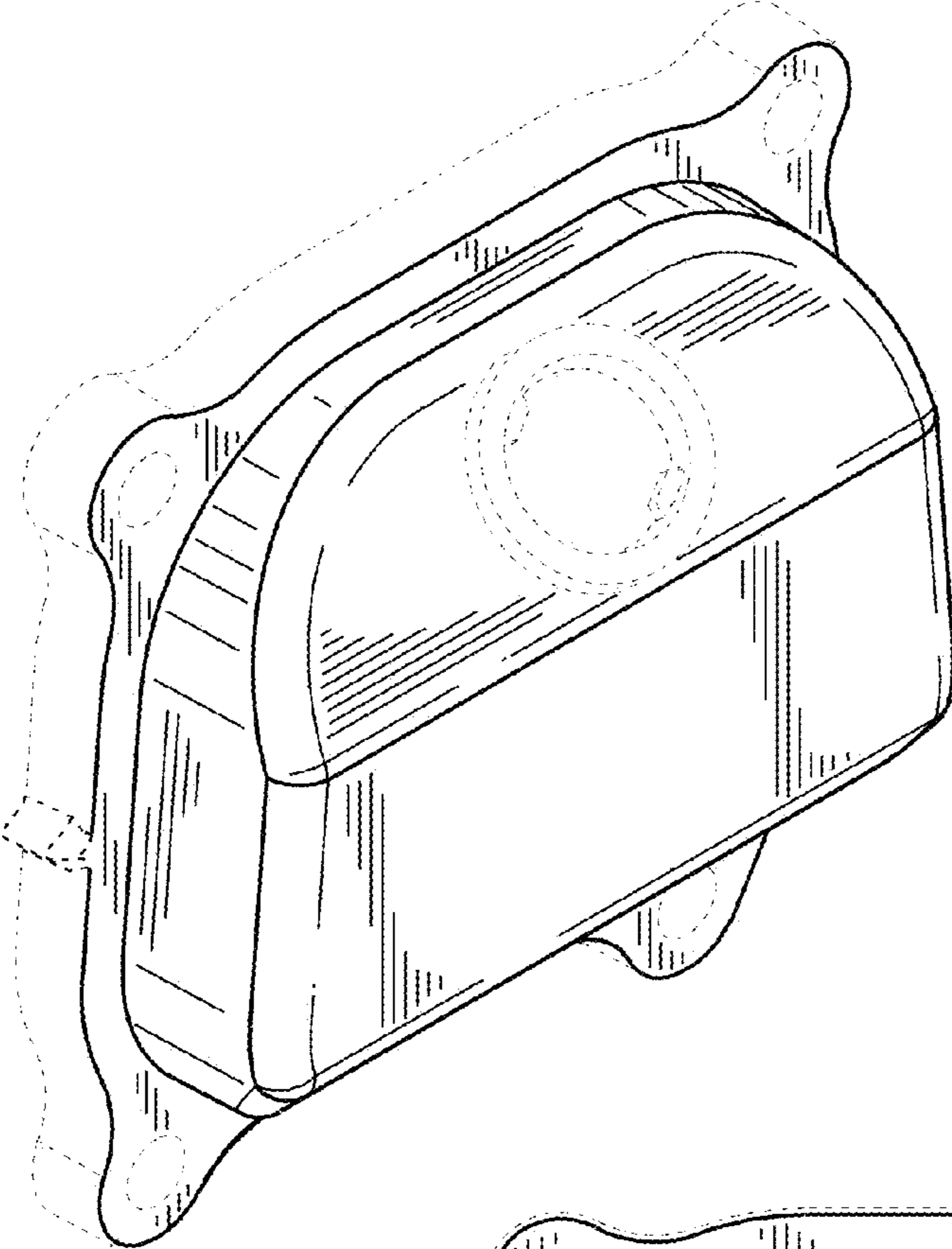


FIG. 1

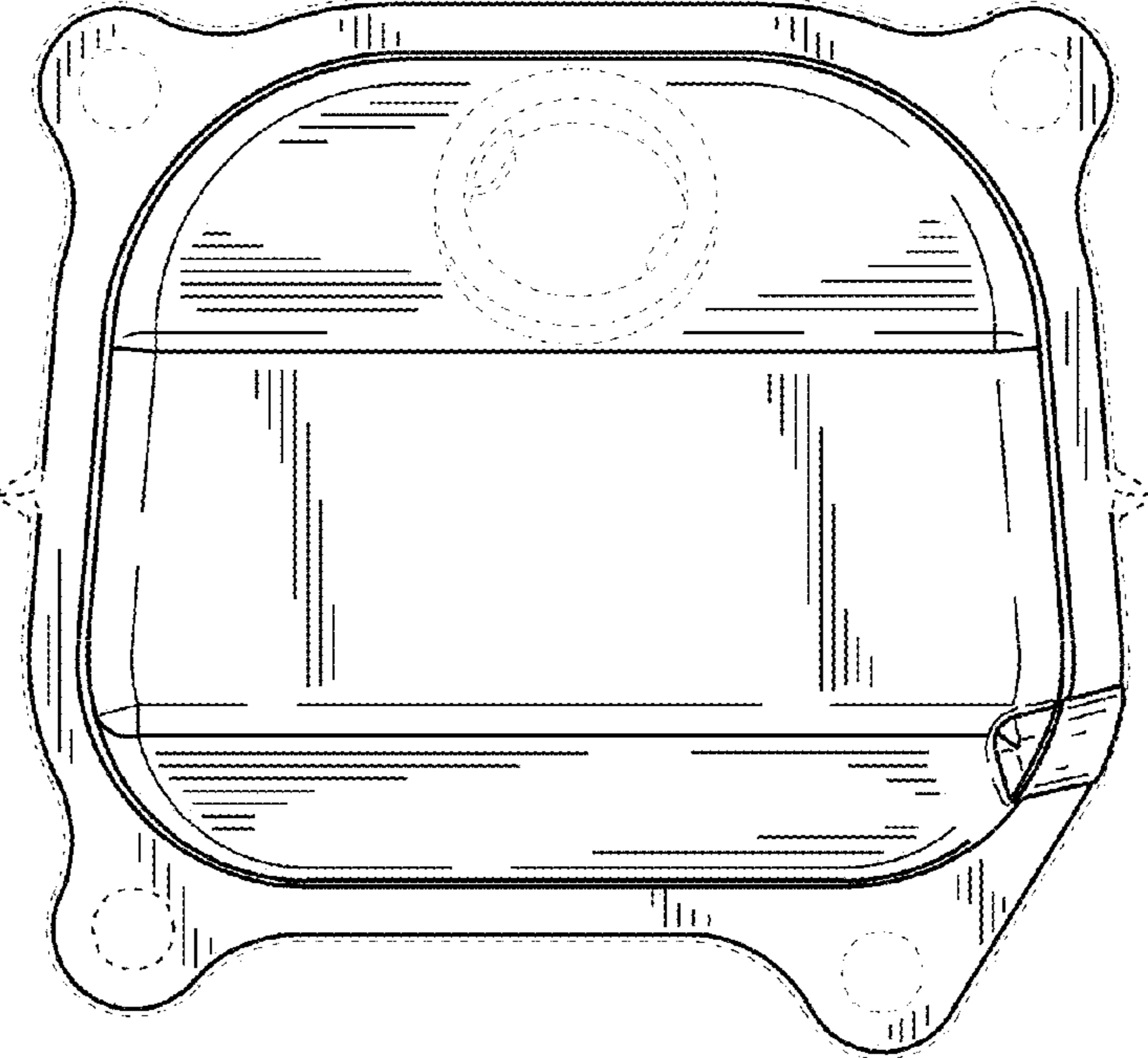


FIG. 2

FIG. 3

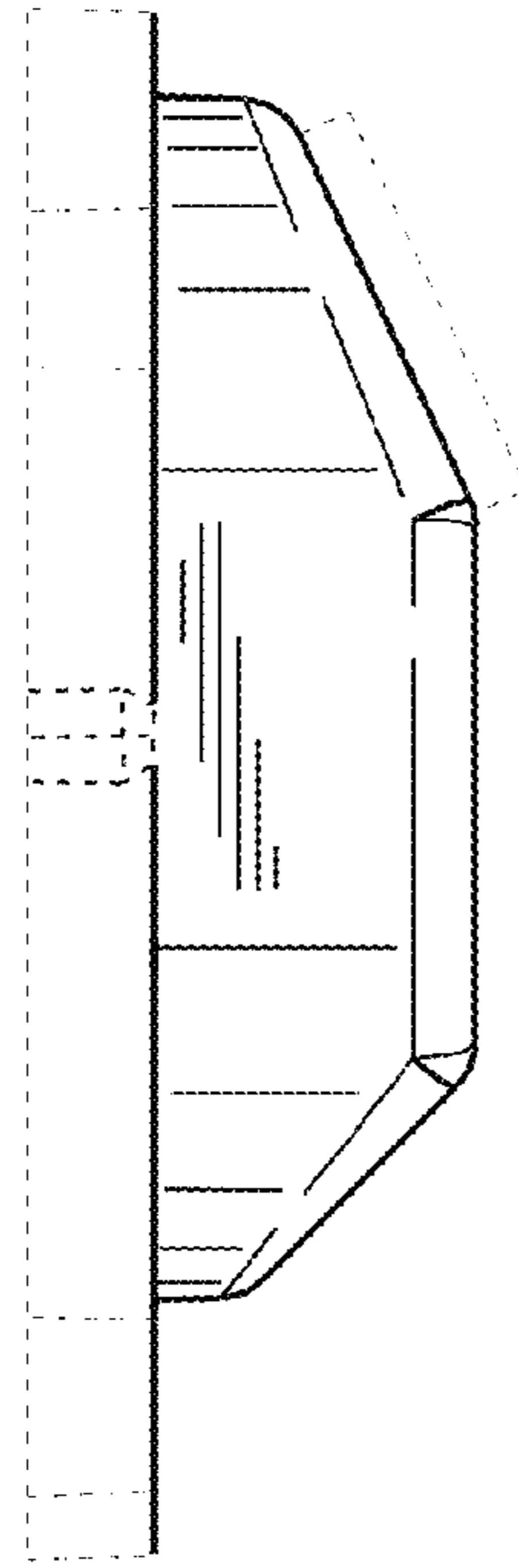


FIG. 4

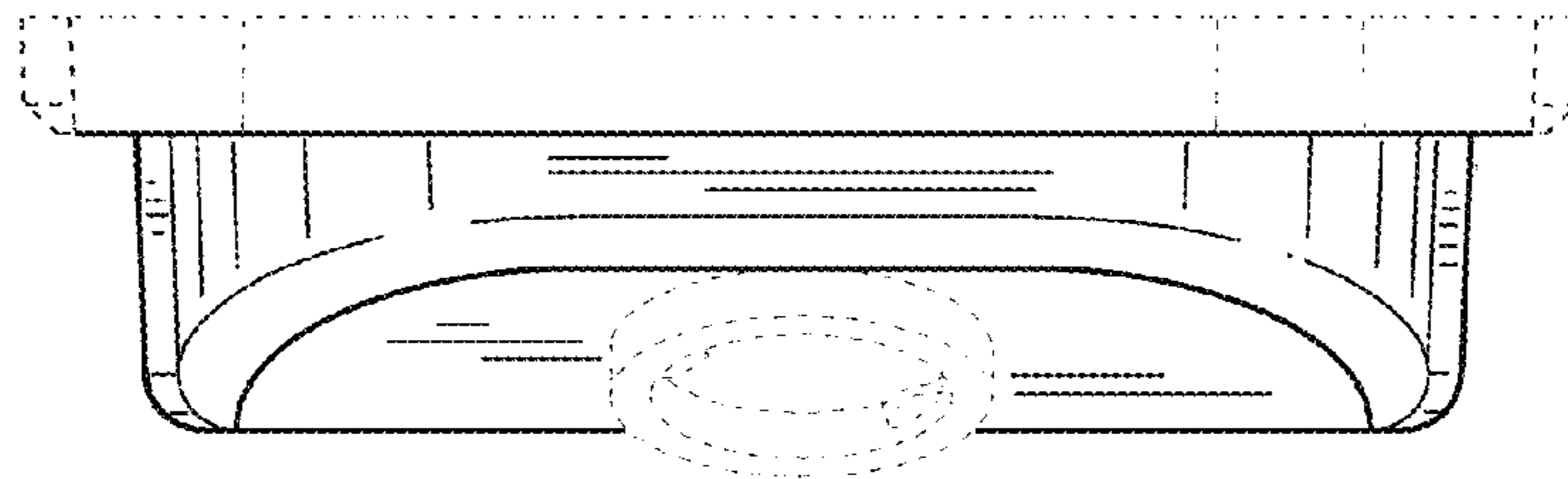
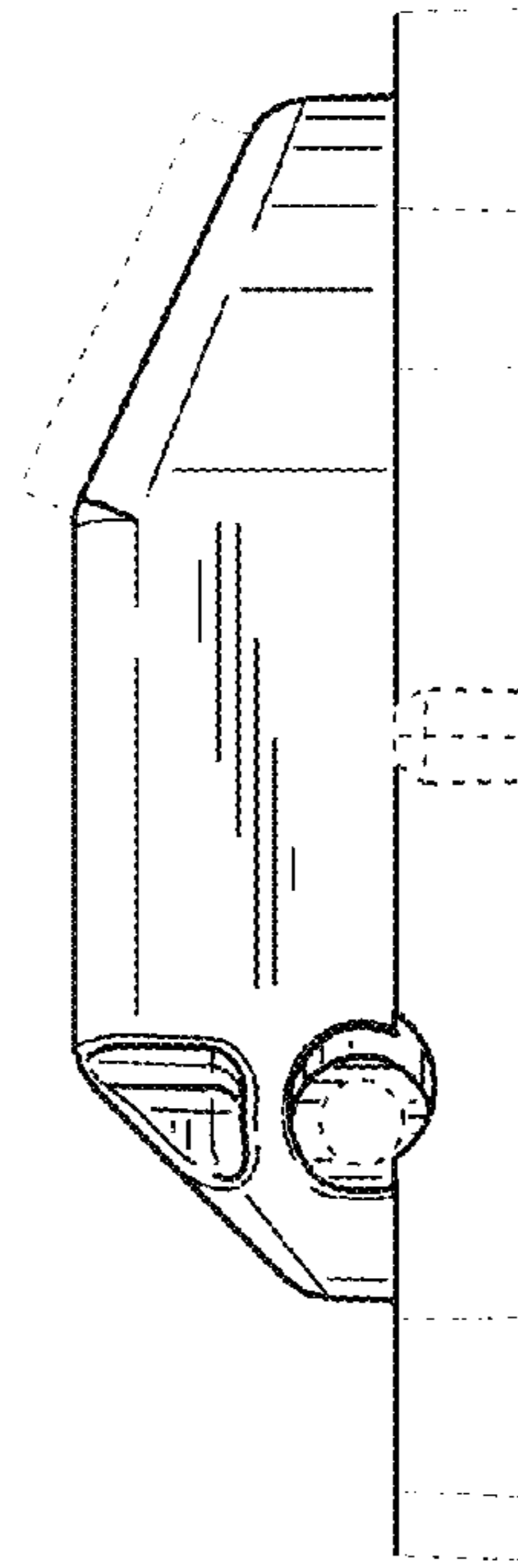


FIG. 5

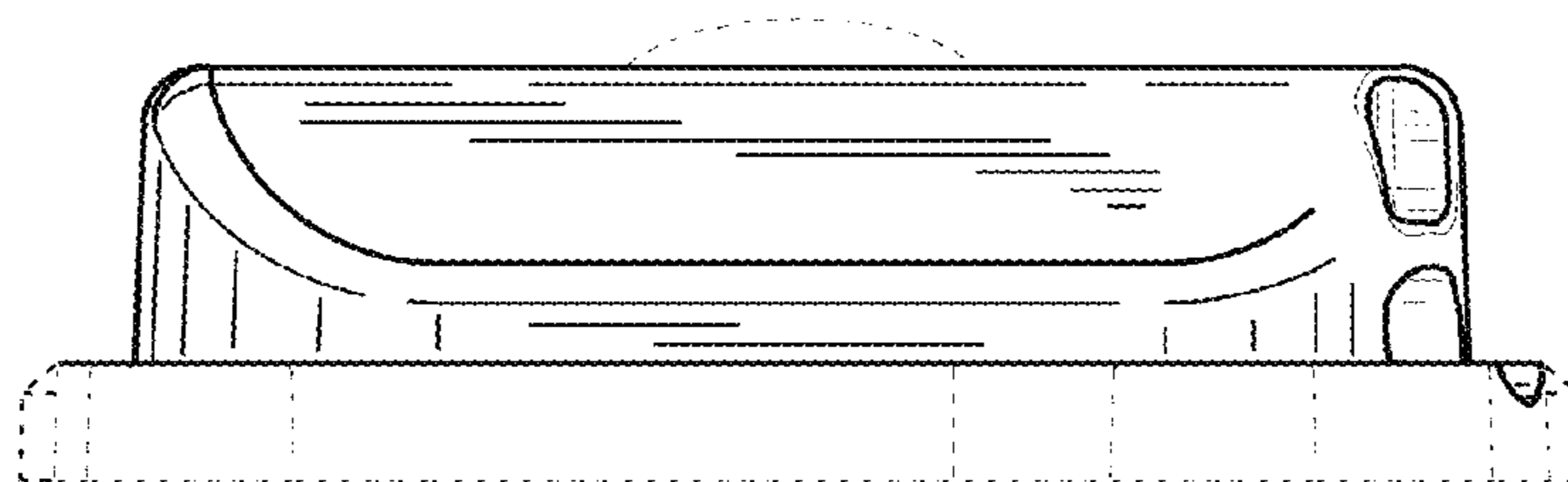


FIG. 6

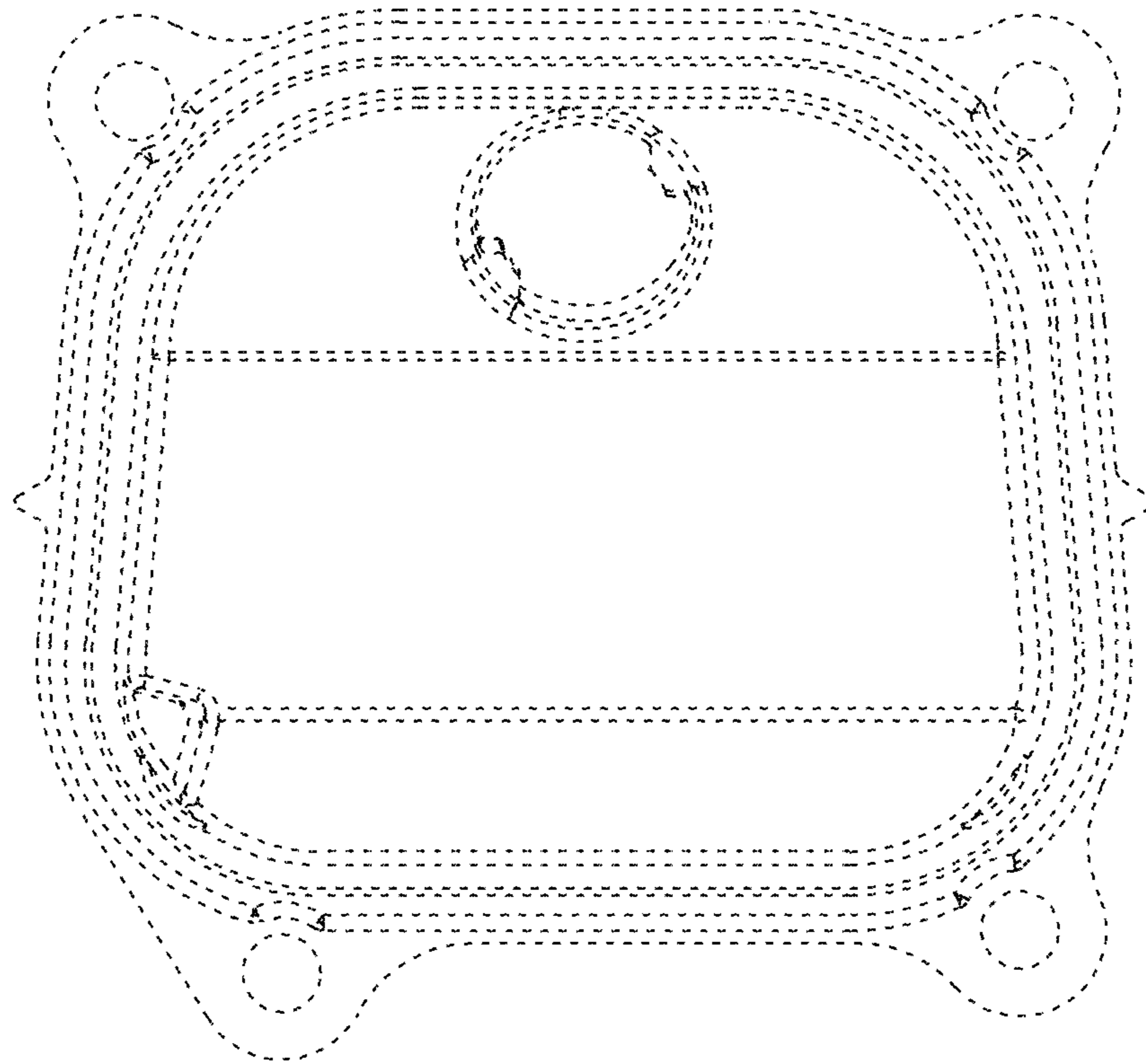


FIG. 7