



US00D722322S

(12) **United States Design Patent**
Strayle

(10) **Patent No.:** **US D722,322 S**

(45) **Date of Patent:** **** Feb. 10, 2015**

(54) **BUILT-IN HOME APPLIANCE DISPLAY
SCREEN WITH GRAPHICAL USER
INTERFACE**

(71) Applicant: **BSH Bosch und Siemens Hausgeräte
GmbH, Munich (DE)**

(72) Inventor: **Sören Strayle, München (DE)**

(73) Assignee: **BSH Bosch und Siemens Hausgeraete
GmbH, Munich (DE)**

(**) Term: **14 Years**

(21) Appl. No.: **29/445,199**

(22) Filed: **Feb. 8, 2013**

(30) **Foreign Application Priority Data**

Aug. 16, 2012 (EM) 001341432

(51) **LOC (10) Cl.** **32-00**

(52) **U.S. Cl.**
USPC **D14/486**

(58) **Field of Classification Search**
USPC D14/485-495; D18/26, 31, 32, 33;
D20/11, 12, 23, 24, 25, 29, 30, 31, 32,
D20/36, 37, 38; 715/702, 764, 838
See application file for complete search history.

(56) **References Cited**

U.S. PATENT DOCUMENTS

D424,036 S * 5/2000 Arora et al. D14/487
6,072,486 A * 6/2000 Sheldon et al. 715/835
D454,139 S * 3/2002 Feldcamp D14/486
6,456,304 B1 * 9/2002 Angiulo et al. 715/779
D602,038 S * 10/2009 Channell et al. D14/486
D603,420 S * 11/2009 Channell D14/487

D609,716 S * 2/2010 White et al. D14/486
D611,947 S * 3/2010 Mather D14/485
D636,779 S * 4/2011 Boush et al. D14/486
D672,786 S * 12/2012 Kay et al. D14/487
D690,721 S * 10/2013 Tee et al. D14/486
D698,361 S * 1/2014 Stiffler D14/486
2013/0325779 A1 * 12/2013 Shahshahani et al. 706/46

* cited by examiner

Primary Examiner — Philip S Hyder

Assistant Examiner — Darlington Ly

(74) *Attorney, Agent, or Firm* — James E. Howard; Andre Pallapies

(57) **CLAIM**

The ornamental design for a built-in home appliance display screen with graphical user interface, as shown and described.

DESCRIPTION

FIG. 1 is a front perspective view of a built-in home appliance display screen with a graphical user interface (GUI) according to my new ornamental design;

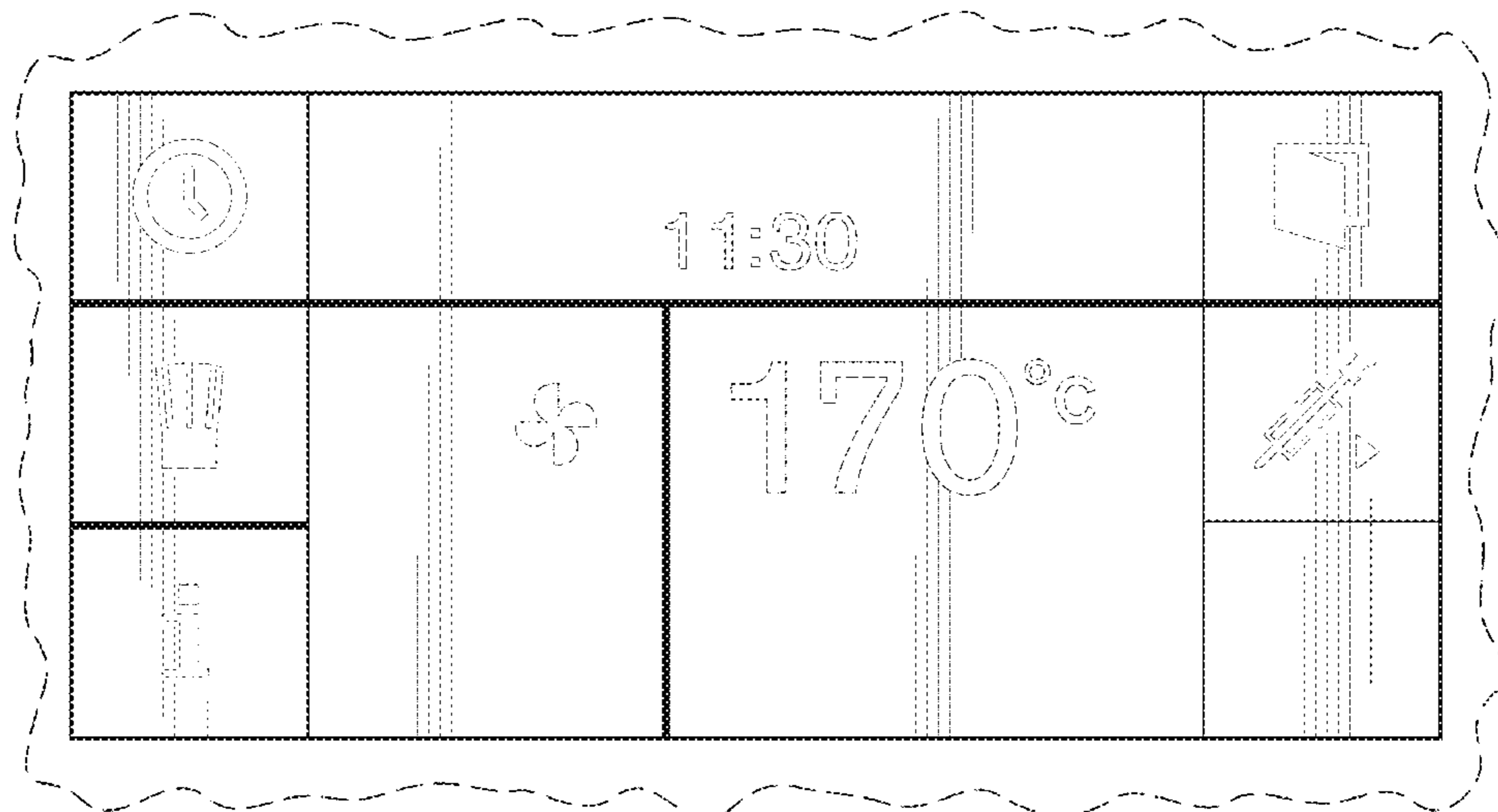
FIG. 2 is an enlarged first front view of the built-in appliance display screen with graphical user interface shown in FIG. 1; and,

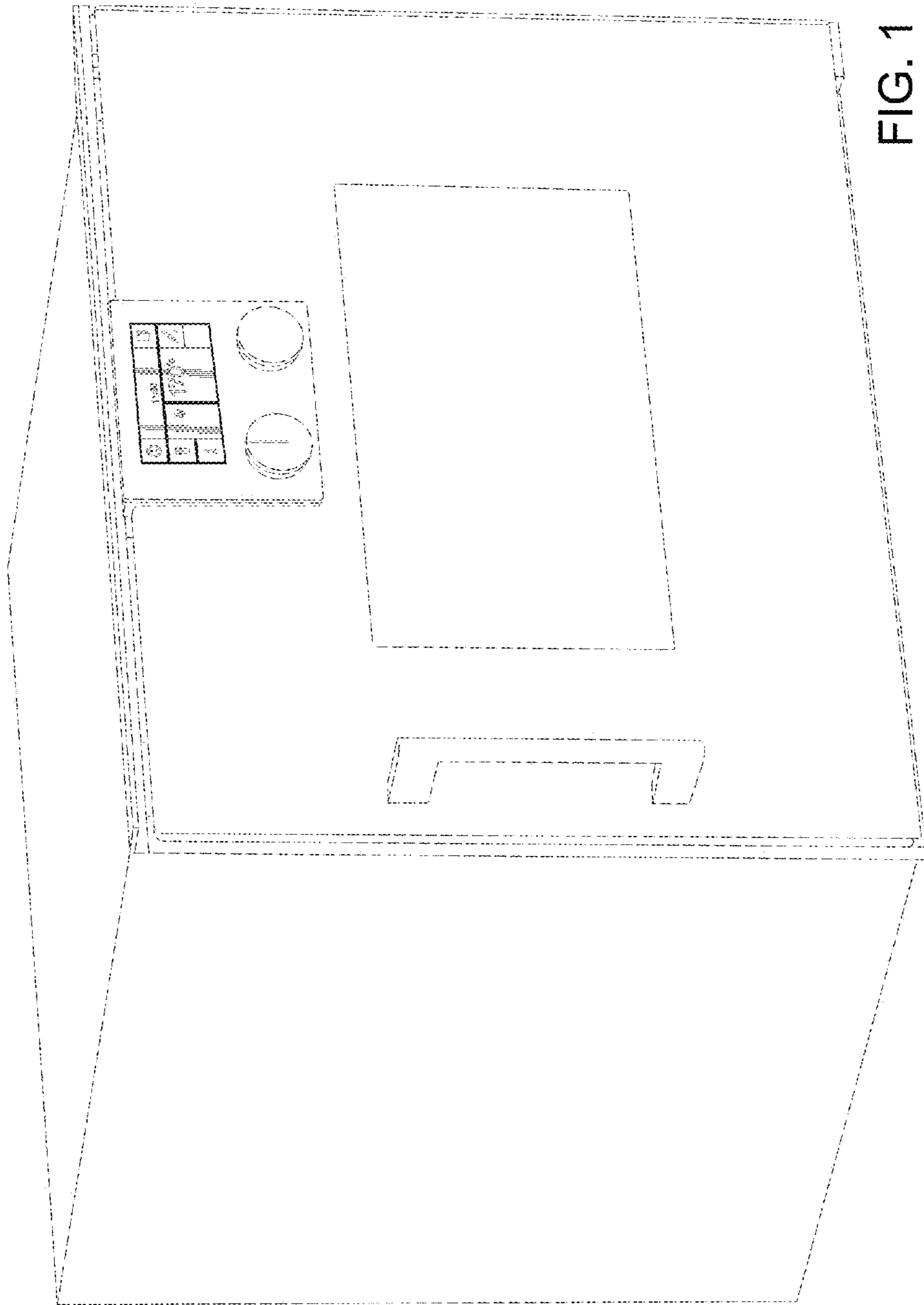
FIG. 3 is an enlargement second front view of the built-in home appliance display screen with graphical user interface in a different mode.

The broken (dash-dash) lines of the built-in home appliance display screen with graphical user interface, as well as the broken lines within the display screen, indicate surrounding environment or structure and do not form a part of the claimed design.

The appearance of the transitional image sequentially transitions between the images shown in FIGS. 2-3. The process or period in which one image transitions to another image forms no part of the claimed design.

1 Claim, 3 Drawing Sheets





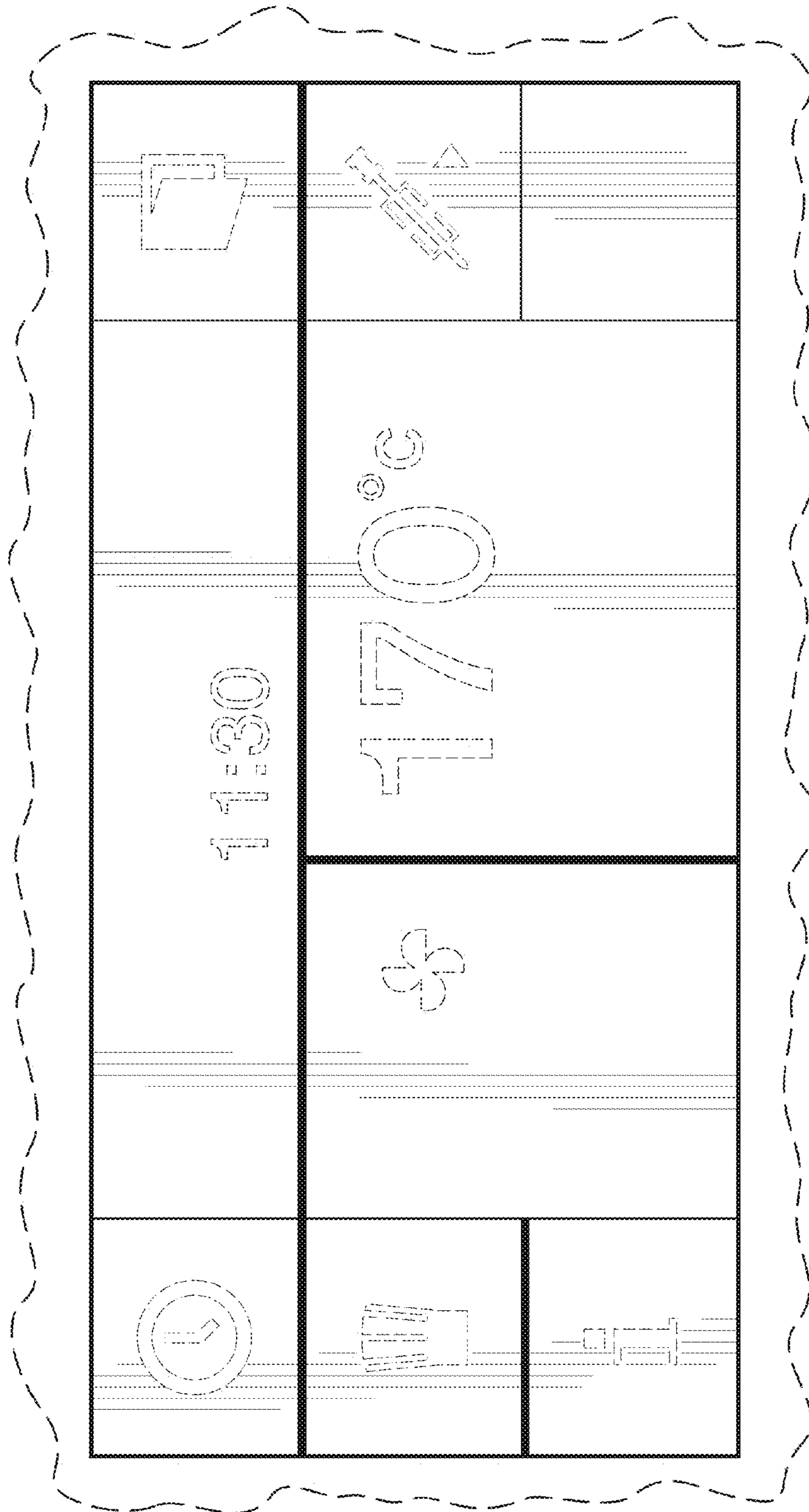


FIG. 2

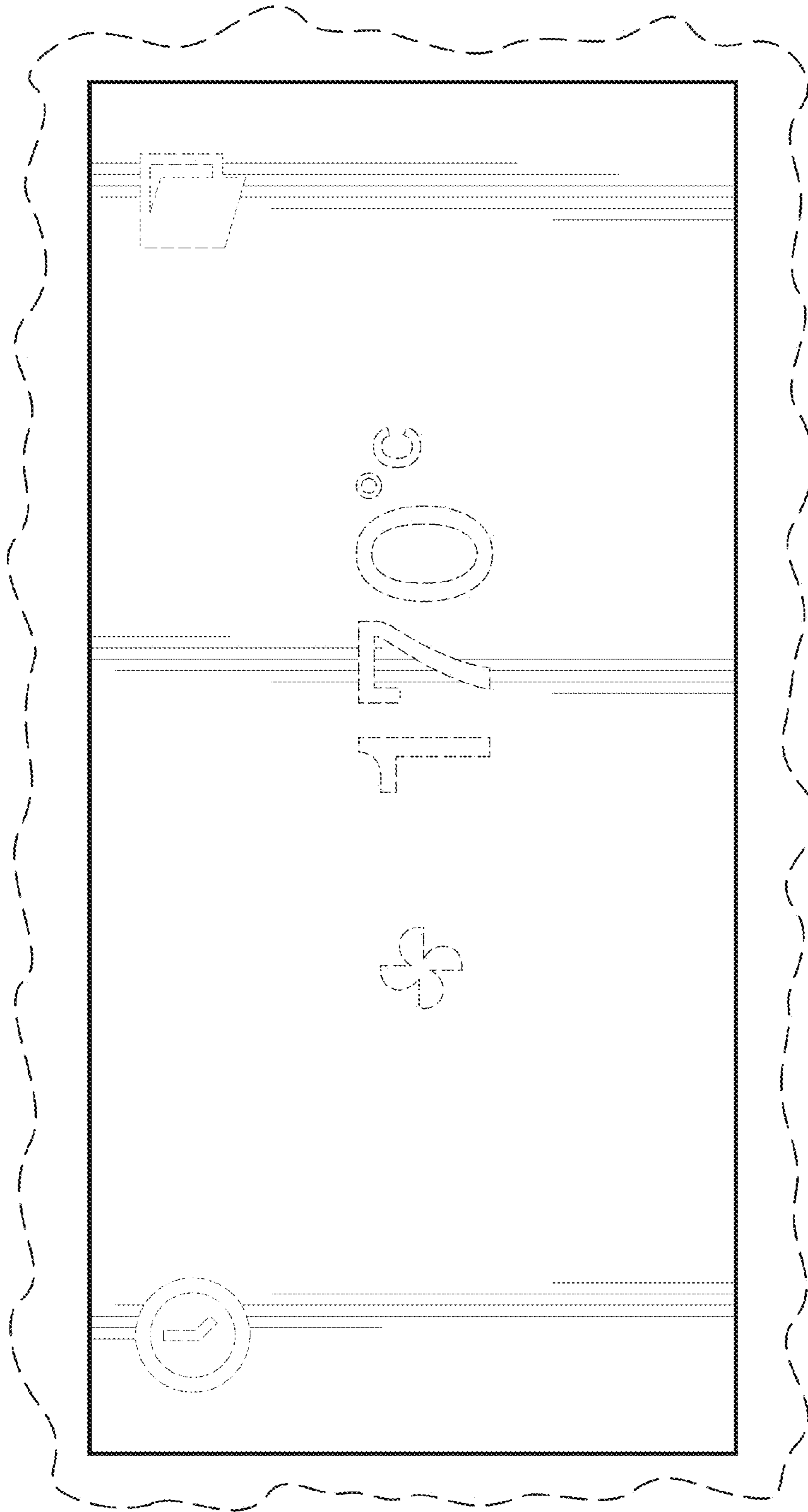


FIG. 3