



US00D722317S

(12) **United States Design Patent**
Parameshwara et al.

(10) **Patent No.:** **US D722,317 S**

(45) **Date of Patent:** **** Feb. 10, 2015**

(54) **ELECTRONIC DEVICE STAND**

(71) Applicant: **SABIC Innovative Plastics IP B.V.**,
Bergen op Zoom (NL)

(72) Inventors: **Arunachala Parameshwara**, Bangalore
(IN); **Poovanna Theethira Kushalappa**,
Bangalore (IN); **Thomas Hocker**,
Concord Parkway, MA (US); **Bhushan
Deshmukh**, Bangalore (IN)

(73) Assignee: **Sabic Global Technologies B.V.** (NL)

(**) Term: **14 Years**

(21) Appl. No.: **29/469,542**

(22) Filed: **Oct. 11, 2013**

(51) **LOC (10) Cl.** **14-04**

(52) **U.S. Cl.**
USPC **D14/447**

(58) **Field of Classification Search**
USPC D14/447, 432, 434, 439, 440, 451, 452,
D14/457, 460, 461, 238.1, 250, 251, 253;
D3/218; D6/406.3, 406.4, 406.5,
D6/406.6; 248/444, 441.1, 188.6,
248/917-924; 361/679.02, 679.03, 679.04,
361/679.09, 679.21, 679.26, 679.27, 679.3,
361/679.55, 679.56

See application file for complete search history.

(56) **References Cited**

U.S. PATENT DOCUMENTS

6,997,913	B2	2/2006	Wilkinson	
D603,840	S *	11/2009	Lee et al.	D14/217
D627,785	S *	11/2010	Bouthillier	D14/434
D643,030	S *	8/2011	Cheng et al.	D14/253
D645,462	S *	9/2011	Choi	D14/253
D658,168	S *	4/2012	Werth	D14/253
D663,735	S *	7/2012	Musselman	D14/447
D676,037	S *	2/2013	Schupsky	D14/253
D677,260	S *	3/2013	Hong et al.	D14/447
D679,700	S *	4/2013	Werth	D14/253
D681,028	S *	4/2013	Richter	D14/253

D681,646	S *	5/2013	Ide	D14/447
D688,670	S *	8/2013	Huang	D14/447
D695,747	S *	12/2013	Hobbs	D14/447
2011/0148352	A1	6/2011	Wang et al.	

FOREIGN PATENT DOCUMENTS

CN 201638873 U 11/2010

* cited by examiner

Primary Examiner — Angela J Lee

(74) *Attorney, Agent, or Firm* — Cantor Colburn LLP

(57) **CLAIM**

We claim, the ornamental design for an electronic device stand, as shown and described.

DESCRIPTION

FIG. 1 is a front perspective view of an embodiment of an electronic device stand, showing an embodiment of our new design;

FIG. 2 is a front plan view of the device stand shown in FIG. 1;

FIG. 3 is a back plan view of the device stand shown in FIG. 1;

FIG. 4 is a right side elevation view of the device stand shown in FIG. 1;

FIG. 5 is a left side elevation view of the device stand shown in FIG. 1;

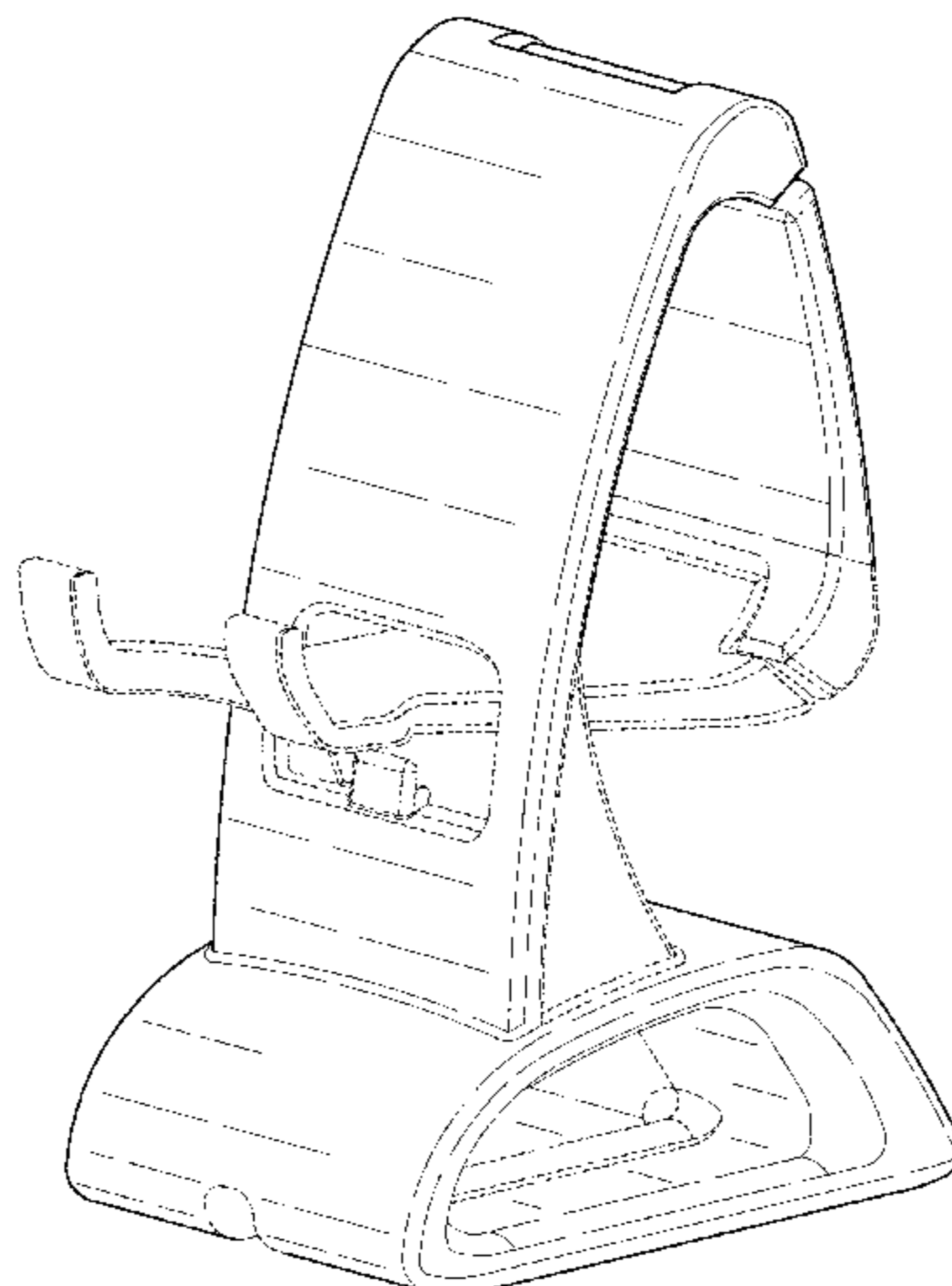
FIG. 6 is a top plan view of the device stand shown in FIG. 1; and,

FIG. 7 is a bottom plan view of the device stand shown in FIG. 1.

The broken-line disclosure in the views is generally understood to form part of the environment in which the claimed design is embodied, but forms no part of the claimed design. The dashed-dot-dash is provided as a boundary line and is generally understood to form part of the environment in which the claimed design is embodied, but forms no part of the claimed design.

Still further, precise size of the article is not claimed.

1 Claim, 7 Drawing Sheets



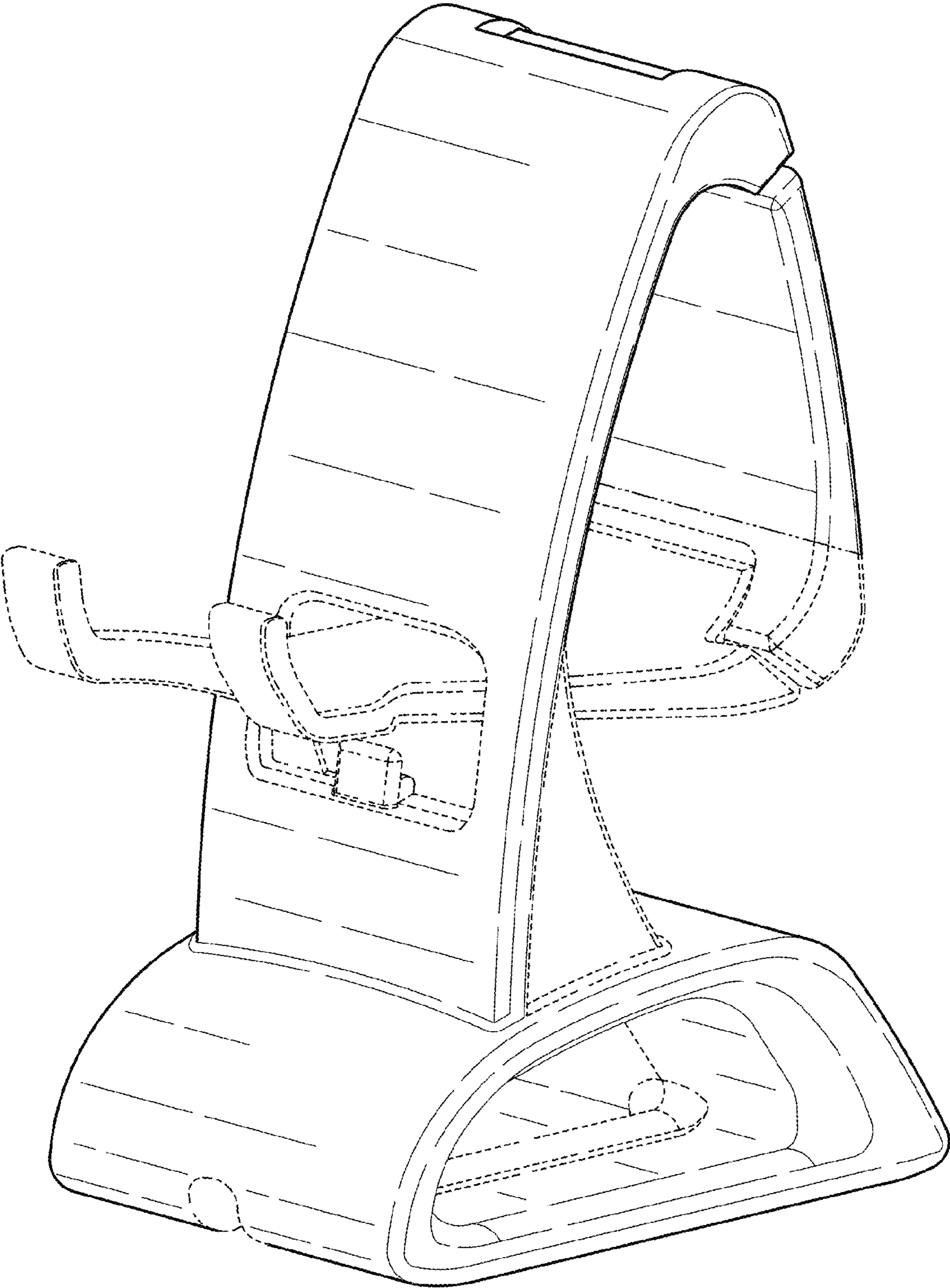


Fig. 1

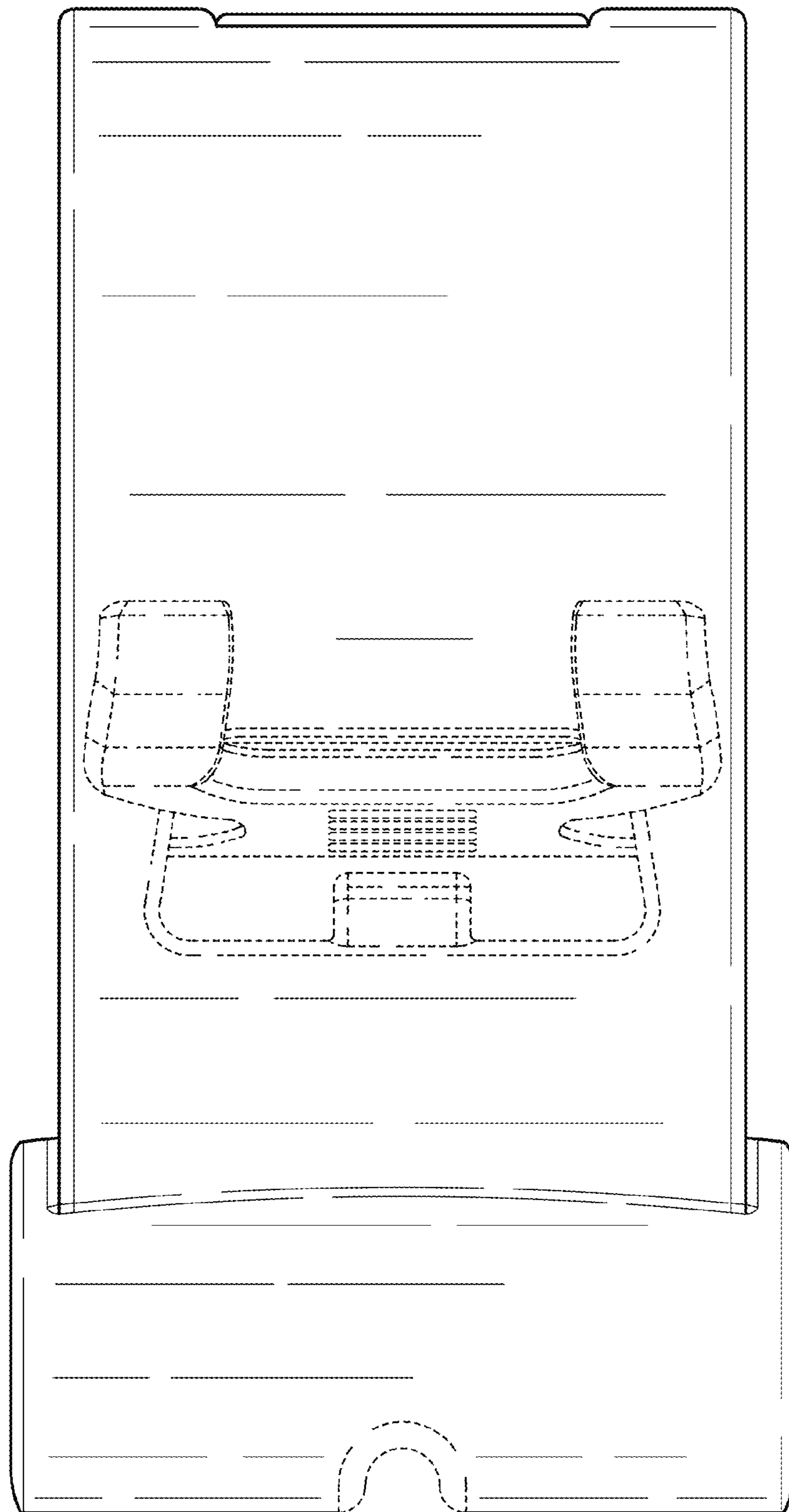


Fig. 2

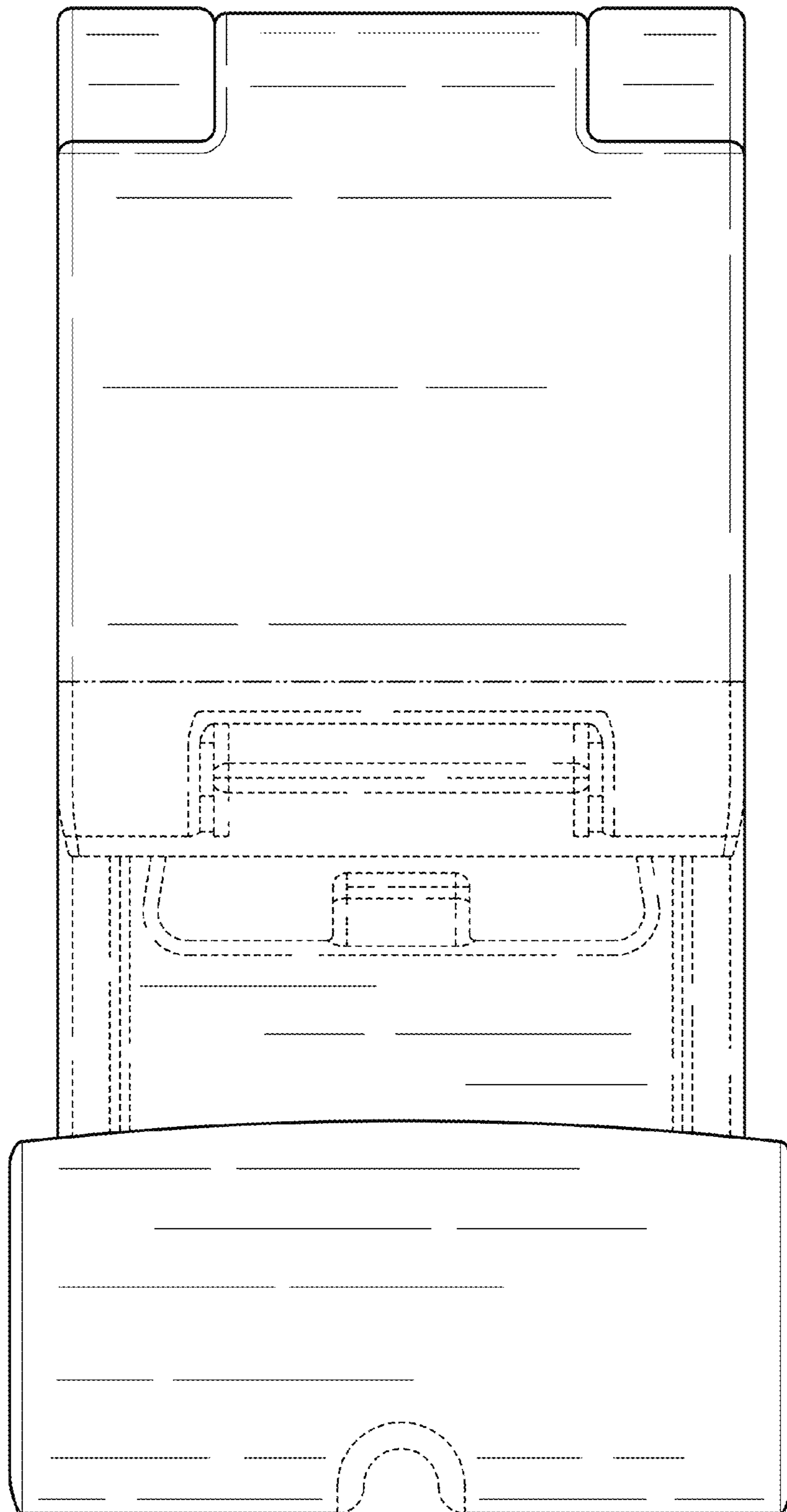


Fig. 3

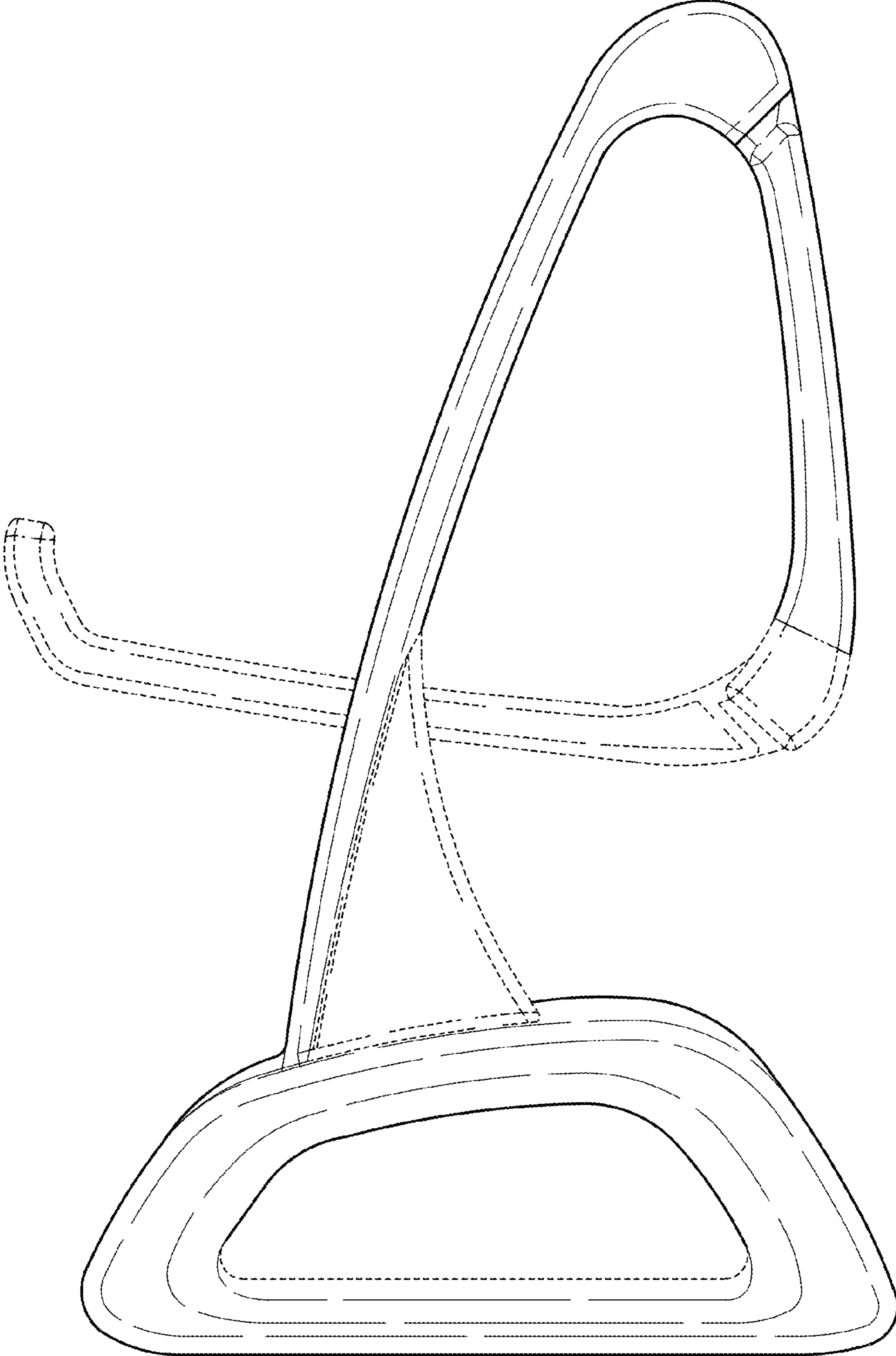


Fig. 4

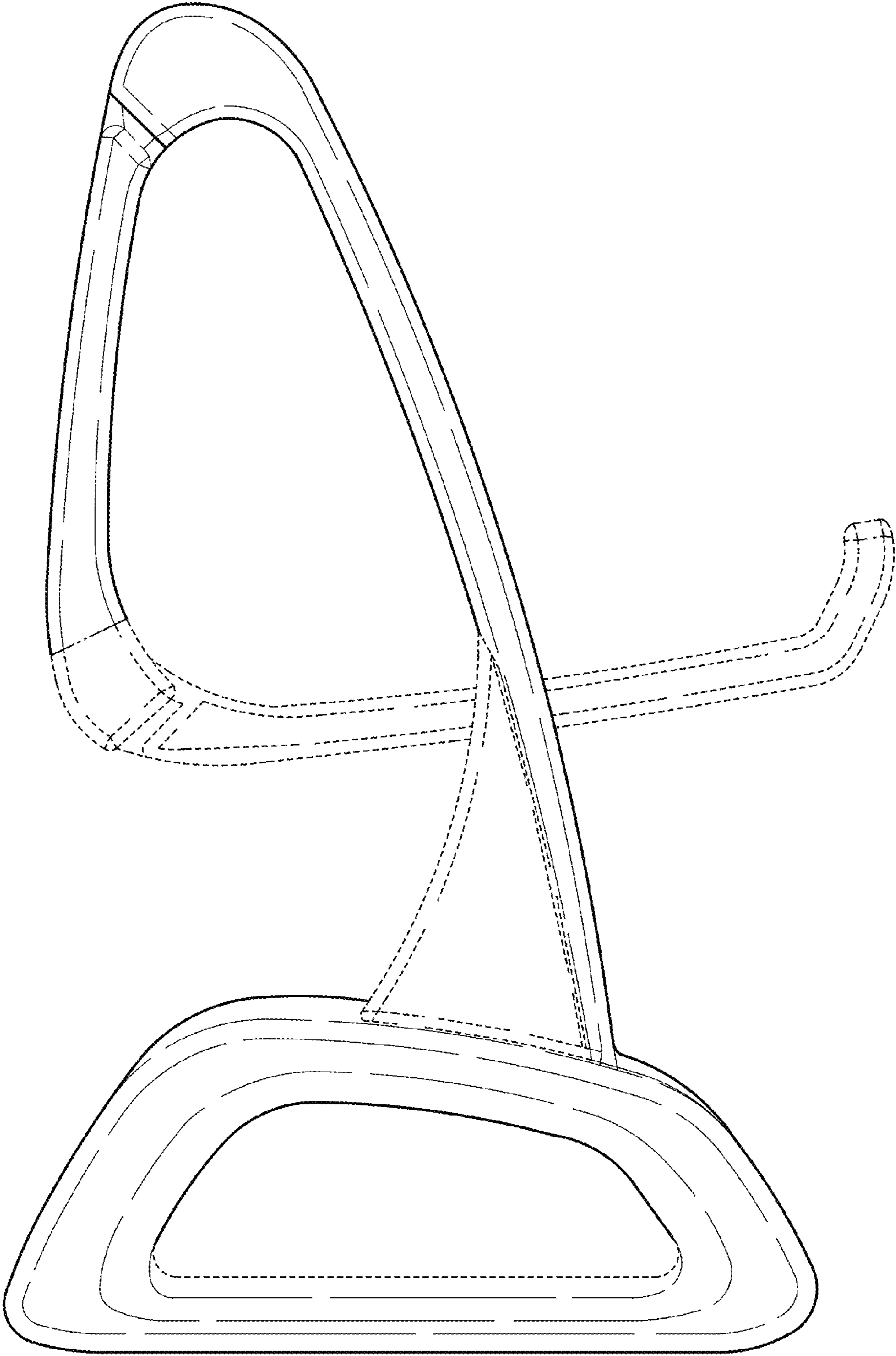


Fig. 5

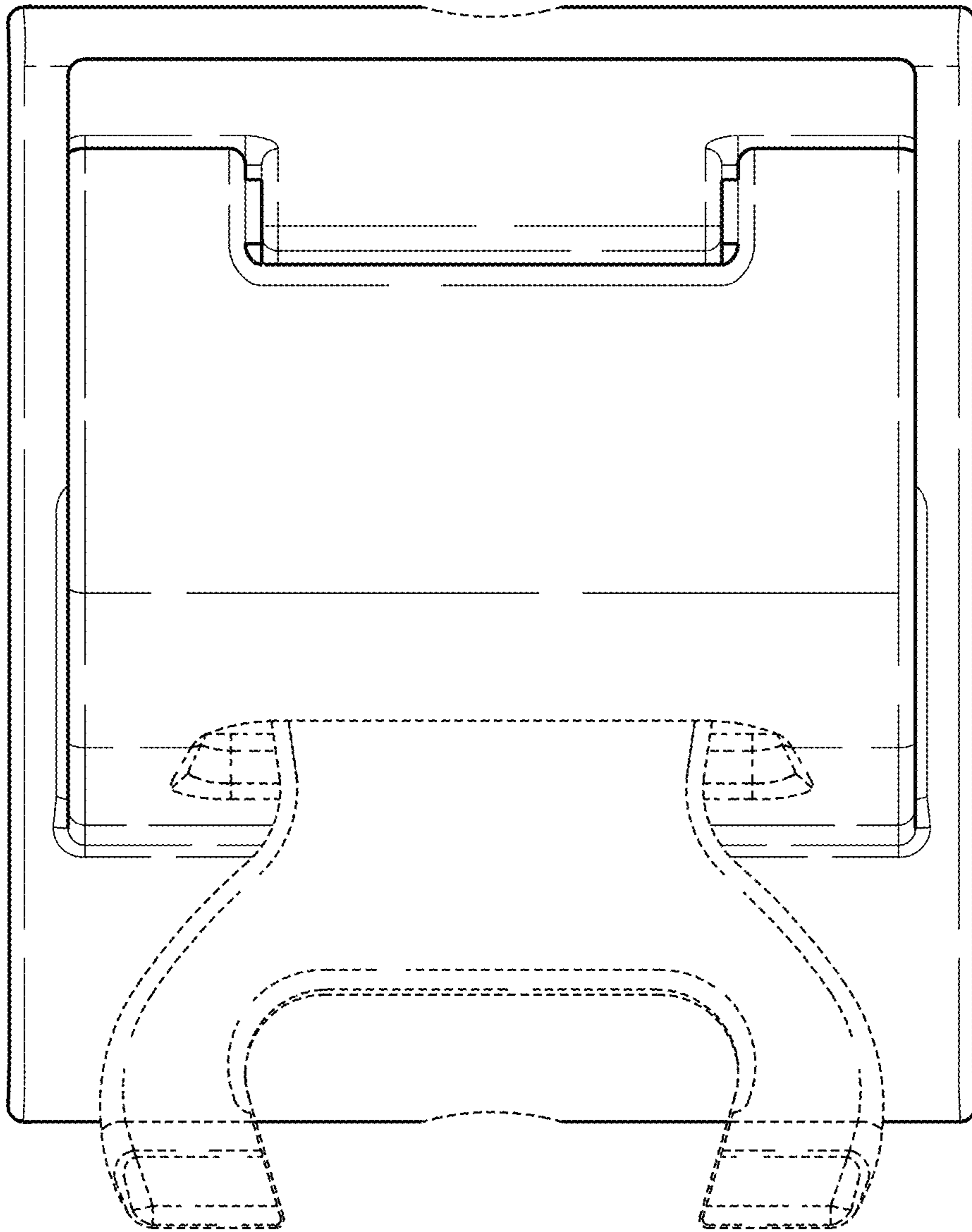


Fig. 6

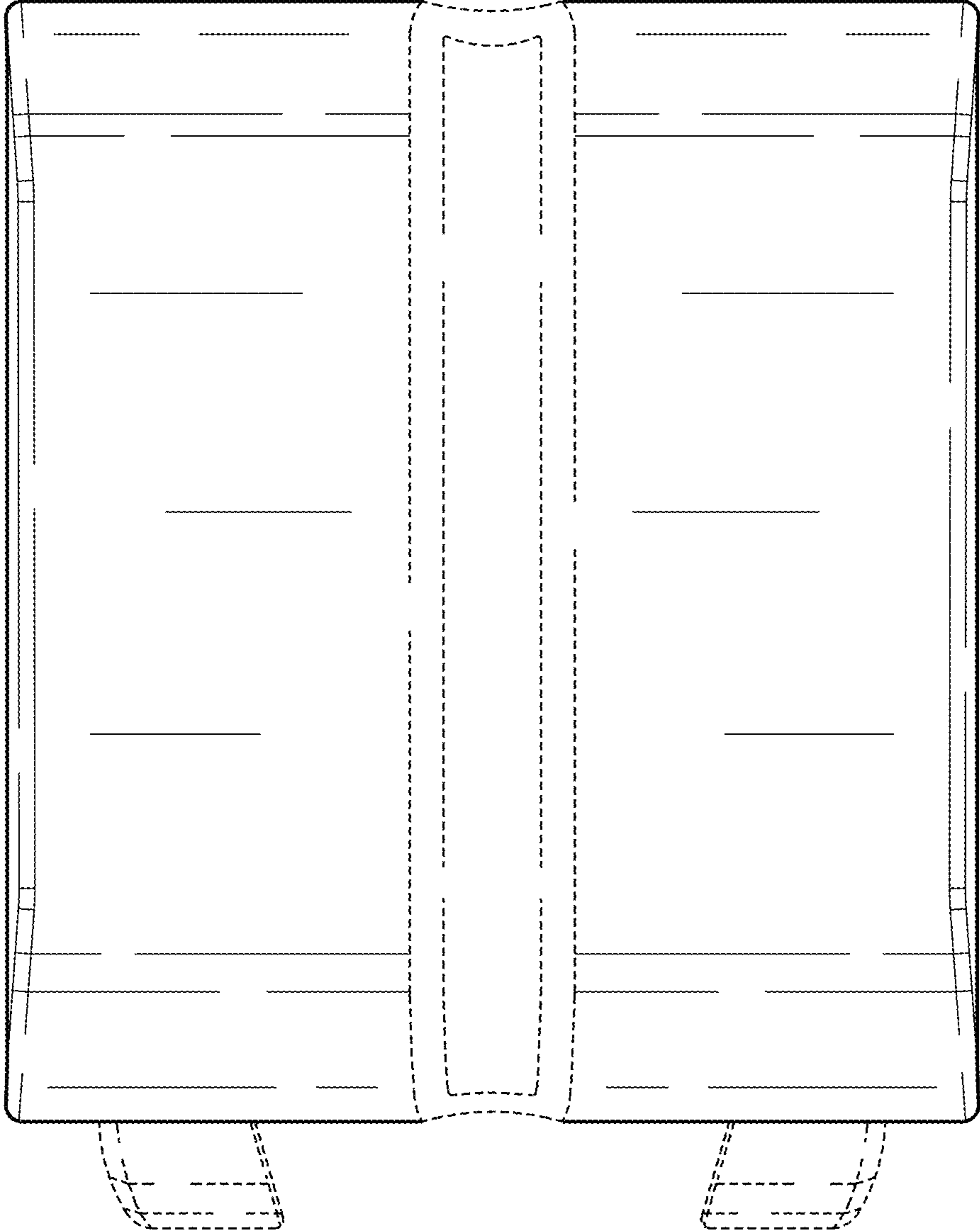


Fig. 7