



US00D722316S

(12) **United States Design Patent**  
**Seaberg**

(10) **Patent No.:** **US D722,316 S**

(45) **Date of Patent:** **\*\* Feb. 10, 2015**

(54) **SEPARABLE AND ROTATABLE INPUT DEVICE**

(76) Inventor: **David Seaberg**, Austin, TX (US)

(\*\*) Term: **14 Years**

(21) Appl. No.: **29/366,086**

(22) Filed: **Jul. 19, 2010**

(51) **LOC (10) Cl.** ..... **14-02**

(52) **U.S. Cl.**  
USPC ..... **D14/388**

(58) **Field of Classification Search**  
USPC ..... D14/388, 389, 454; D1/100, 127, 130,  
D1/199; D11/3, 4, 5; D6/309, 300;  
D25/117, 119, 136, 155; D21/324,  
D21/333; D10/104.1, 106.6, 106.7; 345/156  
See application file for complete search history.

(56) **References Cited**

**U.S. PATENT DOCUMENTS**

D10,121 S *	7/1877	Pattberg	.....	D6/309
D15,850 S *	2/1885	Brownwell	.....	D6/309
808,805 A *	1/1906	Bagnall	.....	63/8
4,991,409 A *	2/1991	Creates	.....	63/15.7
D347,831 S *	6/1994	Lam	.....	D14/454
D358,633 S *	5/1995	McKeone	.....	D23/304
D379,470 S *	5/1997	Gilbert	.....	D18/56
D405,381 S *	2/1999	Perrin et al.	.....	D11/4
D430,204 S *	8/2000	Berracasa	.....	D19/32
D449,244 S *	10/2001	Ginzel	.....	D10/106.6
D495,465 S *	9/2004	Tepper et al.	.....	D1/199
D497,567 S *	10/2004	Hardy	.....	D11/5
D515,450 S *	2/2006	Schiesl-Griesinger	.....	D11/4
D519,569 S *	4/2006	Kiyono et al.	.....	D21/333
D574,788 S *	8/2008	Yamamoto et al.	.....	D13/164
D610,751 S *	2/2010	Kokmeyer	.....	D30/152

D615,888 S *	5/2010	Ikeda et al.	.....	D10/70
D616,441 S *	5/2010	Skaf et al.	.....	D14/400
D619,484 S *	7/2010	Ikeda et al.	.....	D10/106.7
D619,485 S *	7/2010	Ikeda et al.	.....	D10/106.7
D624,049 S *	9/2010	Liu	.....	D14/217
D628,577 S *	12/2010	Marks et al.	.....	D14/412
D631,226 S *	1/2011	Bearson et al.	.....	D1/129
2002/0129619 A1 *	9/2002	Wolff	.....	63/7
2011/0115702 A1 *	5/2011	Seaberg	.....	345/156
2012/0313848 A1 *	12/2012	Galor et al.	.....	345/156

\* cited by examiner

*Primary Examiner* — Deanna L Pratt

(57) **CLAIM**

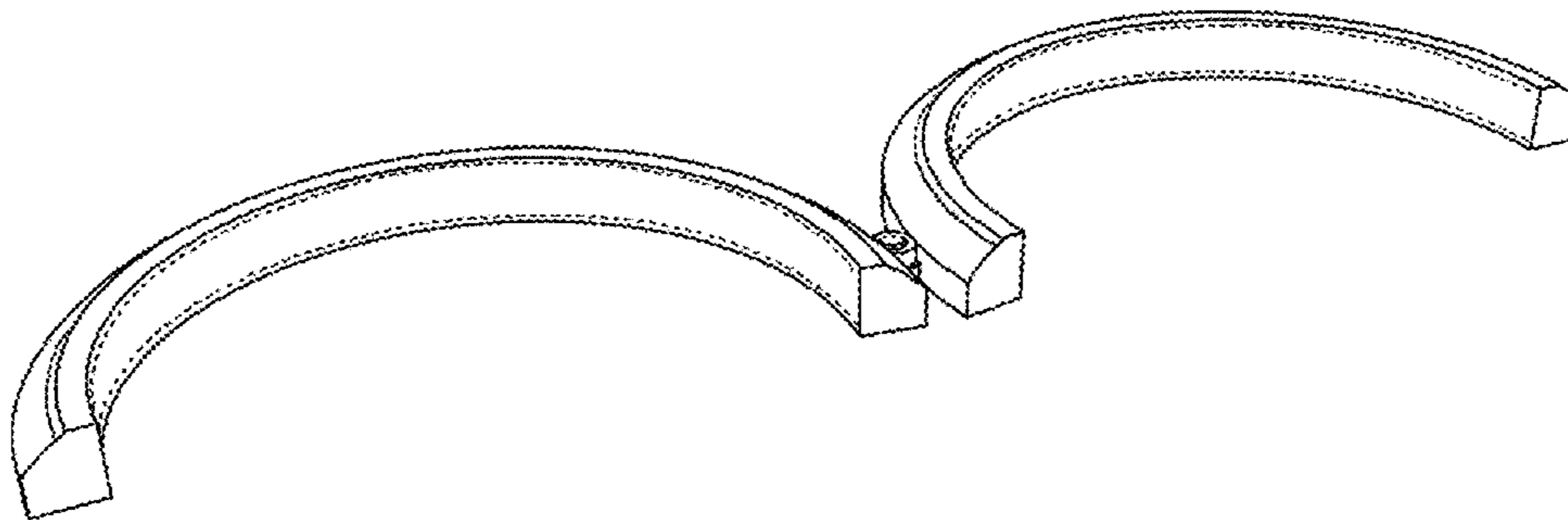
The ornamental design for a separable and rotatable input device, as shown and described.

**DESCRIPTION**

FIG. 1 is a front perspective view of a separable and rotatable input device showing my new design;  
 FIG. 2 is a top side view thereof;  
 FIG. 3 is a top side view in a separated position thereof;  
 FIG. 4 is a top side view in a rotated position thereof;  
 FIG. 5 is a rear view thereof;  
 FIG. 6 is a front view thereof;  
 FIG. 7 is a right side view thereof;  
 FIG. 8 is a left side view thereof;  
 FIG. 9 is a front perspective view showing an attaching and rotating mechanism thereof;  
 FIG. 10 is a rear perspective view showing an attaching and rotating mechanism thereof; and,  
 FIG. 11 is a bottom side view.

The broken lines in the drawings illustrate the boundaries of the claimed design. Both the boundary lines and the areas therewithin form no part of the claimed design.

**1 Claim, 6 Drawing Sheets**



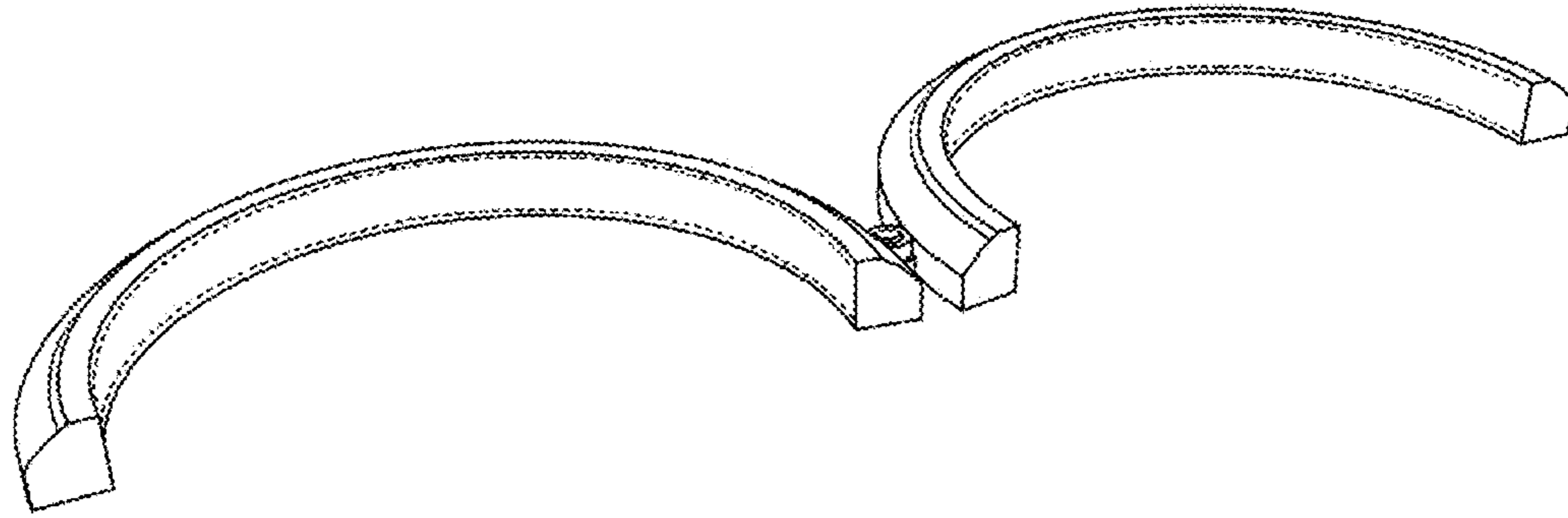


Figure 1

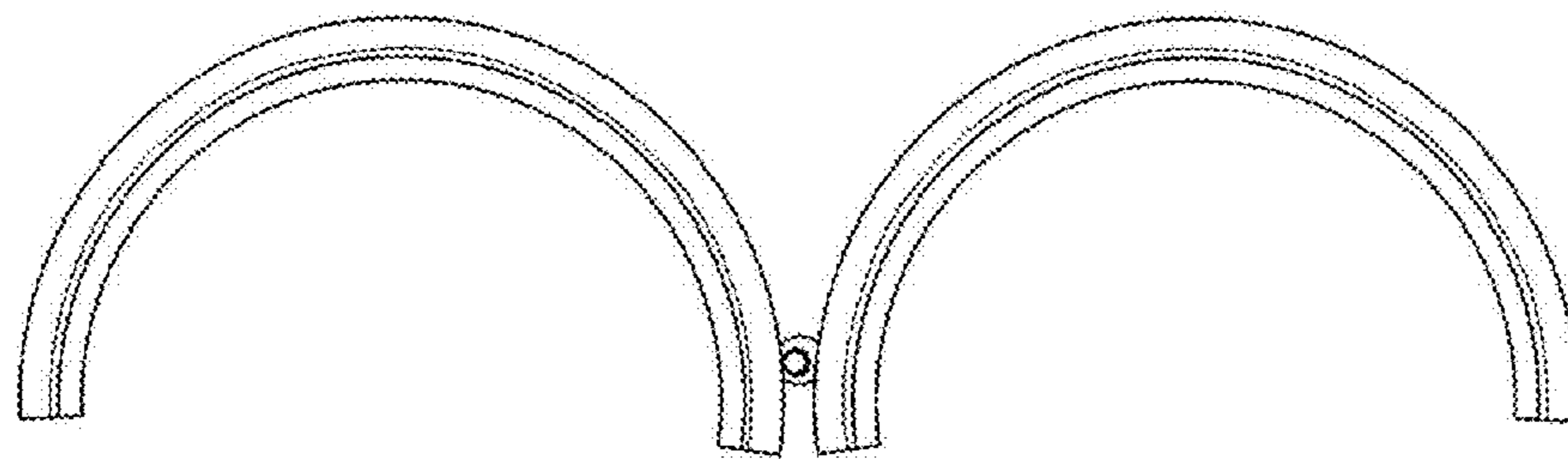


Figure 2

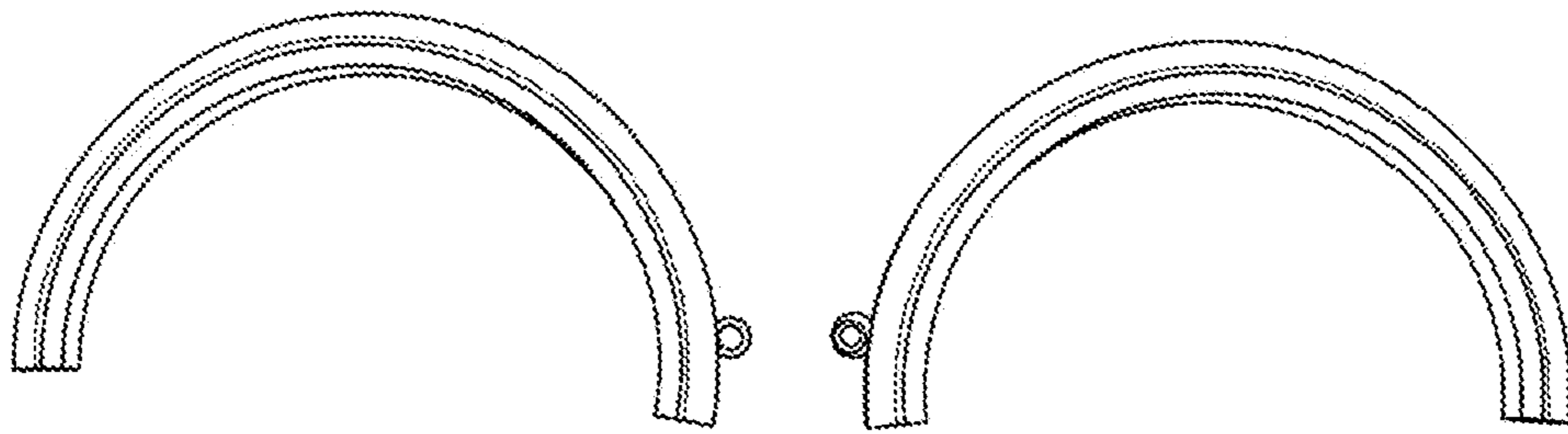


Figure 3

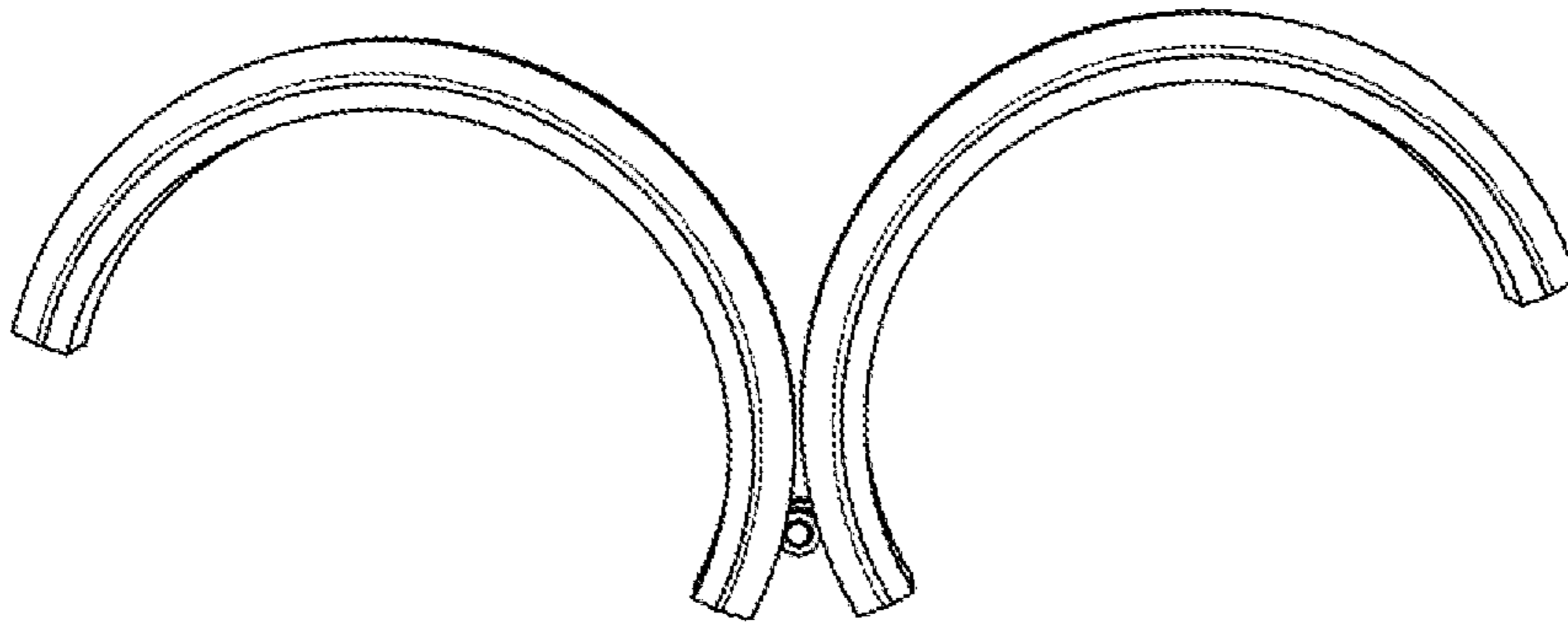


Figure 4



Figure 5



Figure 6

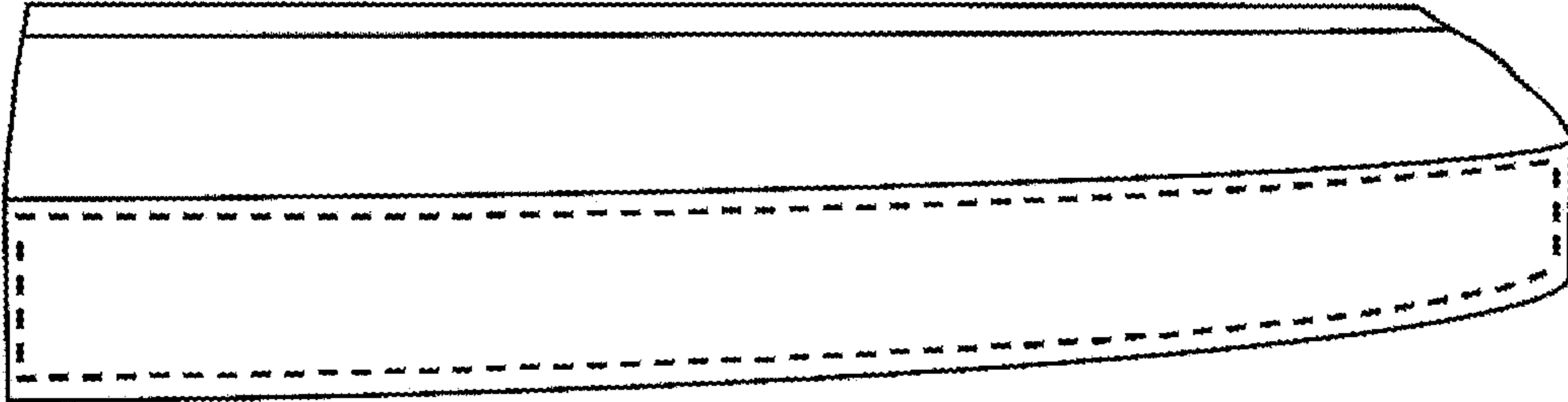


Figure 7

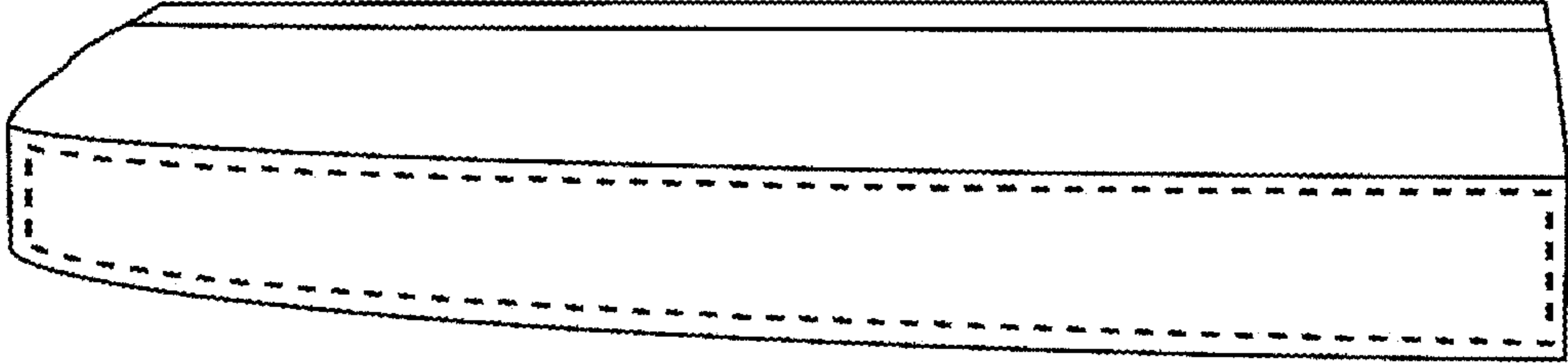


Figure 8

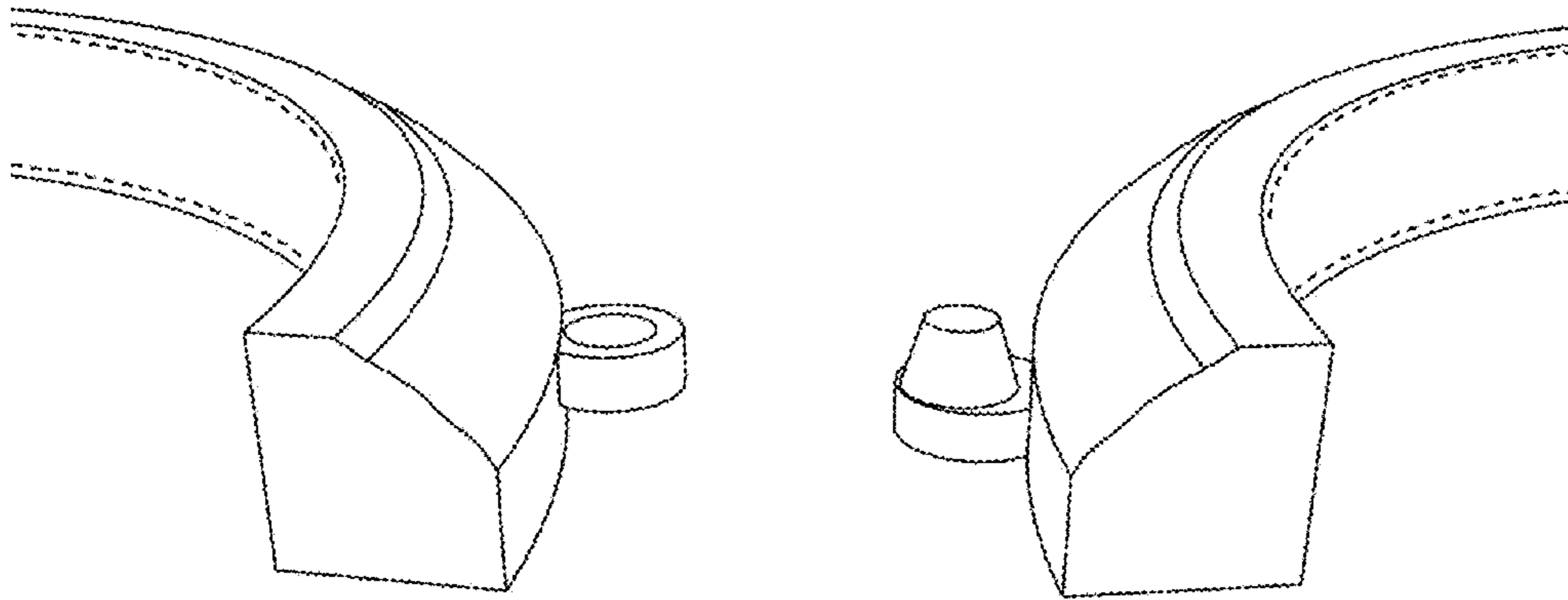


Figure 9

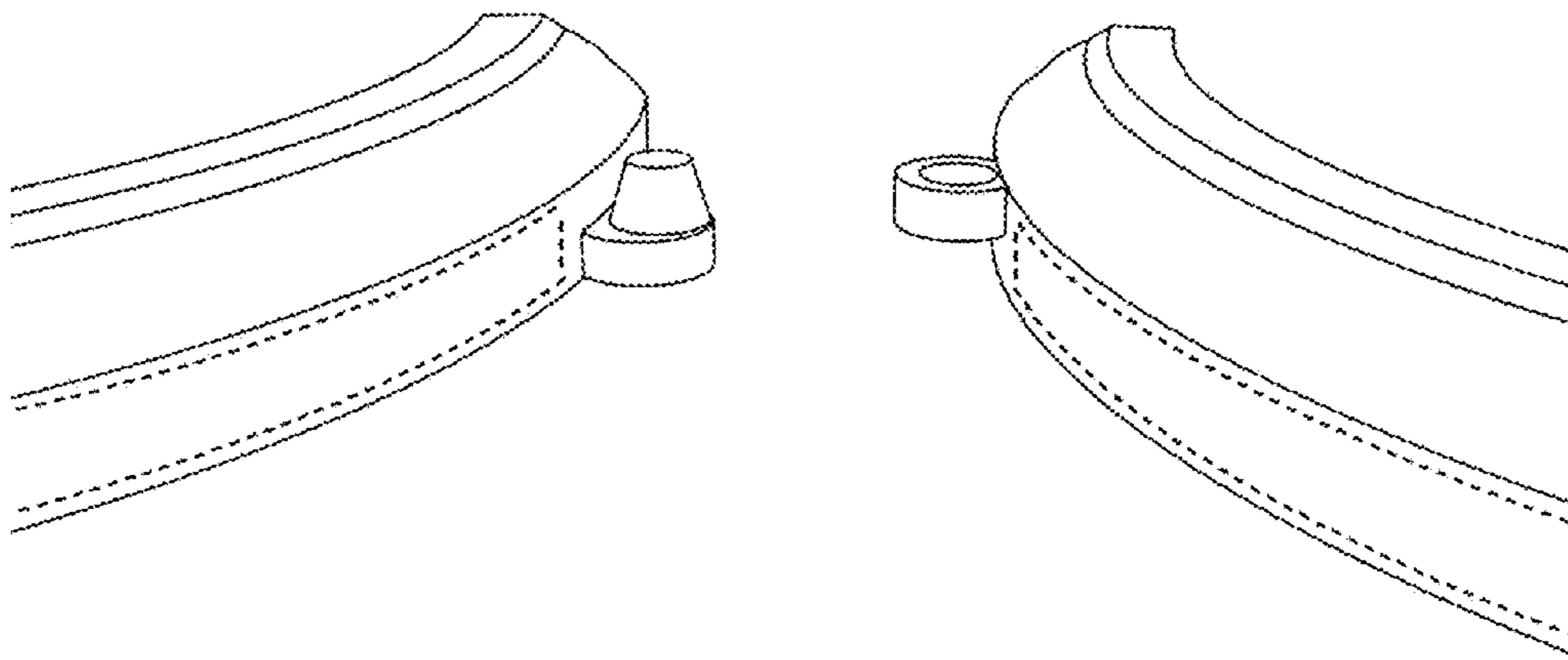


Figure 10

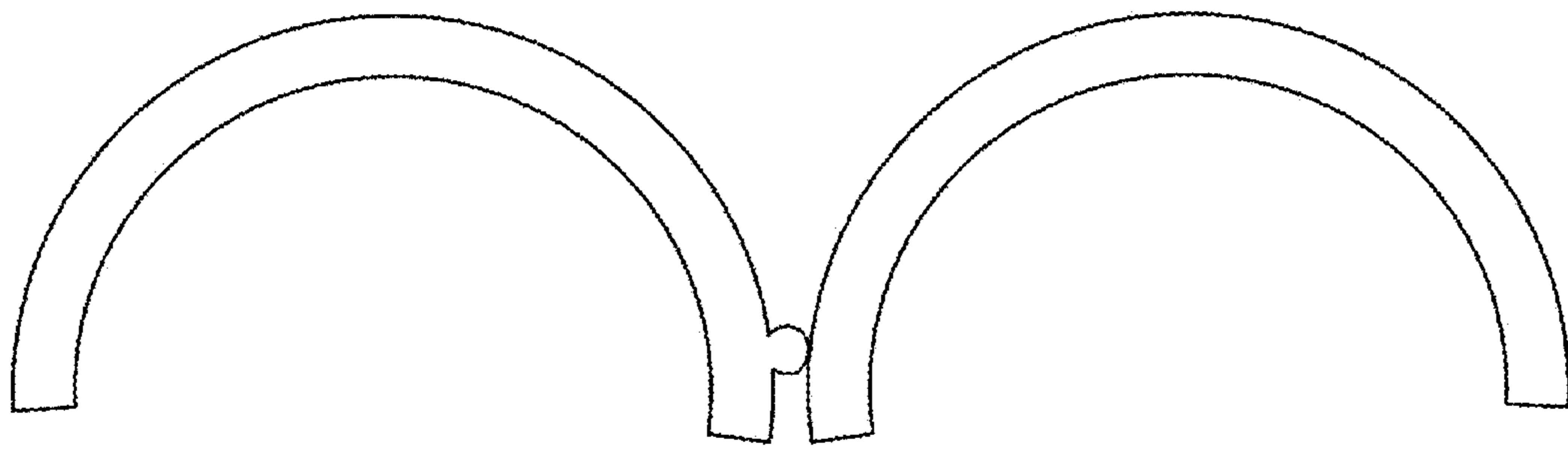


Figure 11