



US00D722315S

(12) **United States Design Patent**
Liang et al.

(10) **Patent No.:** **US D722,315 S**
(45) **Date of Patent:** **** Feb. 10, 2015**

(54) **EYE-CONTROLLED COMPUTER**
(71) Applicant: **Utechzone Co., Ltd.**, New Taipei (TW)
(72) Inventors: **Yung-Jay Liang**, New Taipei (TW);
Yu-Ling Tang, New Taipei (TW)
(73) Assignee: **Utechzone Co., Ltd.**, New Taipei (TW)
(**) Term: **14 Years**
(21) Appl. No.: **29/464,583**
(22) Filed: **Aug. 19, 2013**

(30) **Foreign Application Priority Data**
May 31, 2013 (TW) 102303884
(51) **LOC (10) Cl.** **14-02**
(52) **U.S. Cl.**
USPC **D14/336**
(58) **Field of Classification Search**
USPC D14/371–375, 125–129, 336, 337;
341/12; 345/8, 104, 156, 168, 173,
345/684; 348/180, 184, 325, 739; 349/1, 2,
349/11, 62; 361/679.05–679.07, 679.21;
D6/300, 308; D24/107, 172, 185, 186;
351/210
See application file for complete search history.

(56) **References Cited**
U.S. PATENT DOCUMENTS
6,003,991 A * 12/1999 Viirre 351/206
6,373,961 B1 * 4/2002 Richardson et al. 382/103

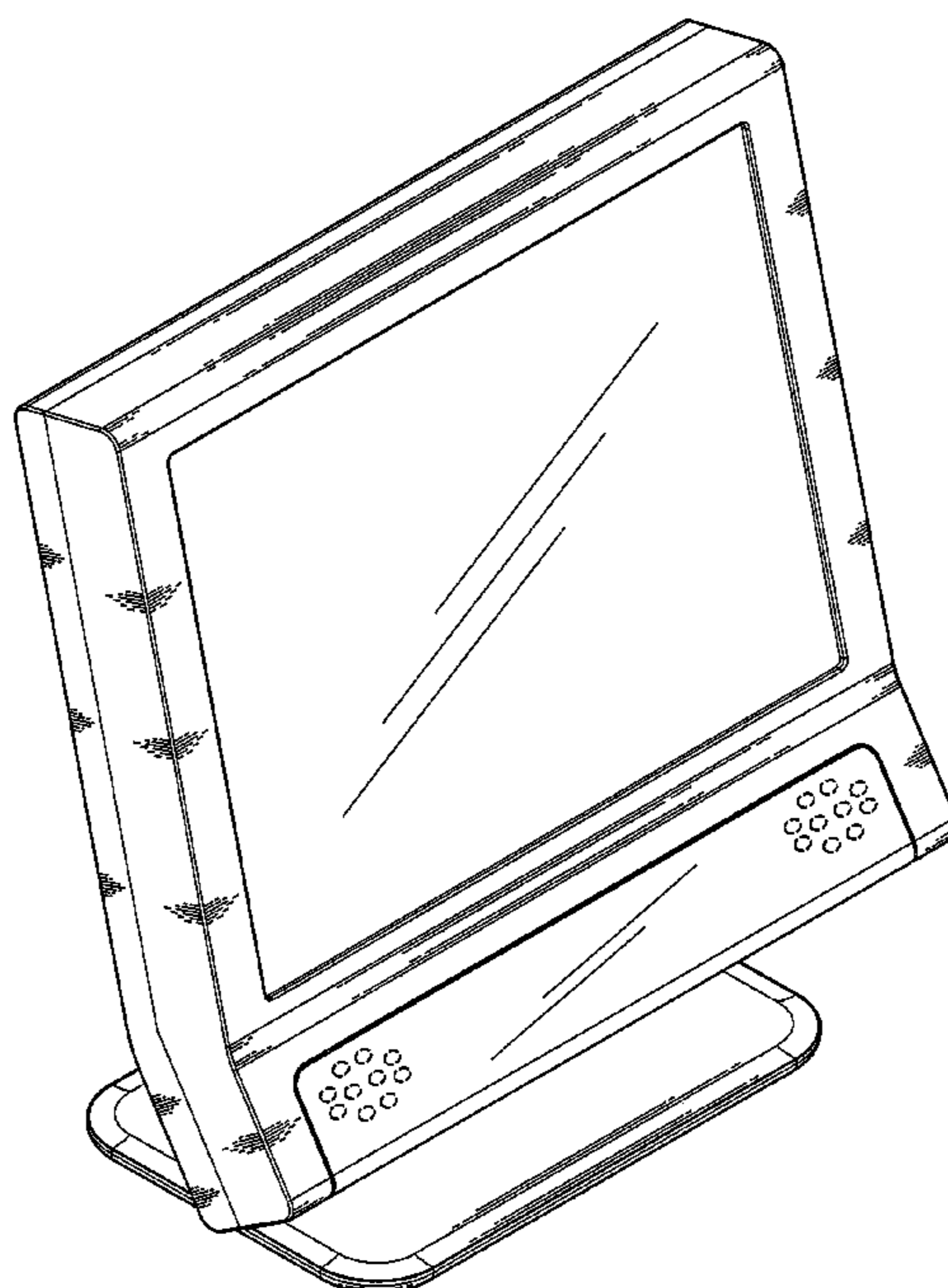
6,637,883 B1 * 10/2003 Tengshe et al. 351/210
D534,508 S * 1/2007 Yamada D14/126
D539,245 S * 3/2007 Bischoff D14/126
D598,916 S * 8/2009 Lehtovaara D14/371
D608,781 S * 1/2010 Wada D14/371
D638,943 S * 5/2011 Daniel D24/172
2002/0105482 A1 * 8/2002 Lemelson et al. 345/7
2009/0219484 A1 * 9/2009 Ebisawa 351/210
2012/0256967 A1 * 10/2012 Baldwin et al. 345/684

* cited by examiner
Primary Examiner — Freda S Nunn
(74) *Attorney, Agent, or Firm* — Muncy, Geissler, Olds & Lowe, P.C.

(57) **CLAIM**
The ornamental design for an eye-controlled computer, as shown and described.

DESCRIPTION
FIG. 1 is a perspective view of an eye-controlled computer showing our new design;
FIG. 2 is a front view thereof;
FIG. 3, is a rear view thereof;
FIG. 4, is a right side view thereof;
FIG. 5 is a left side view thereof
FIG. 6 is a top view thereof;
FIG. 7 is a bottom view thereof; and,
FIG. 8 is a perspective view thereof showing the eye-controlled computer turned on.
Broken lines shown in the drawings illustrate portions of the eye-controlled computer, and form no part of the claimed design.

1 Claim, 8 Drawing Sheets



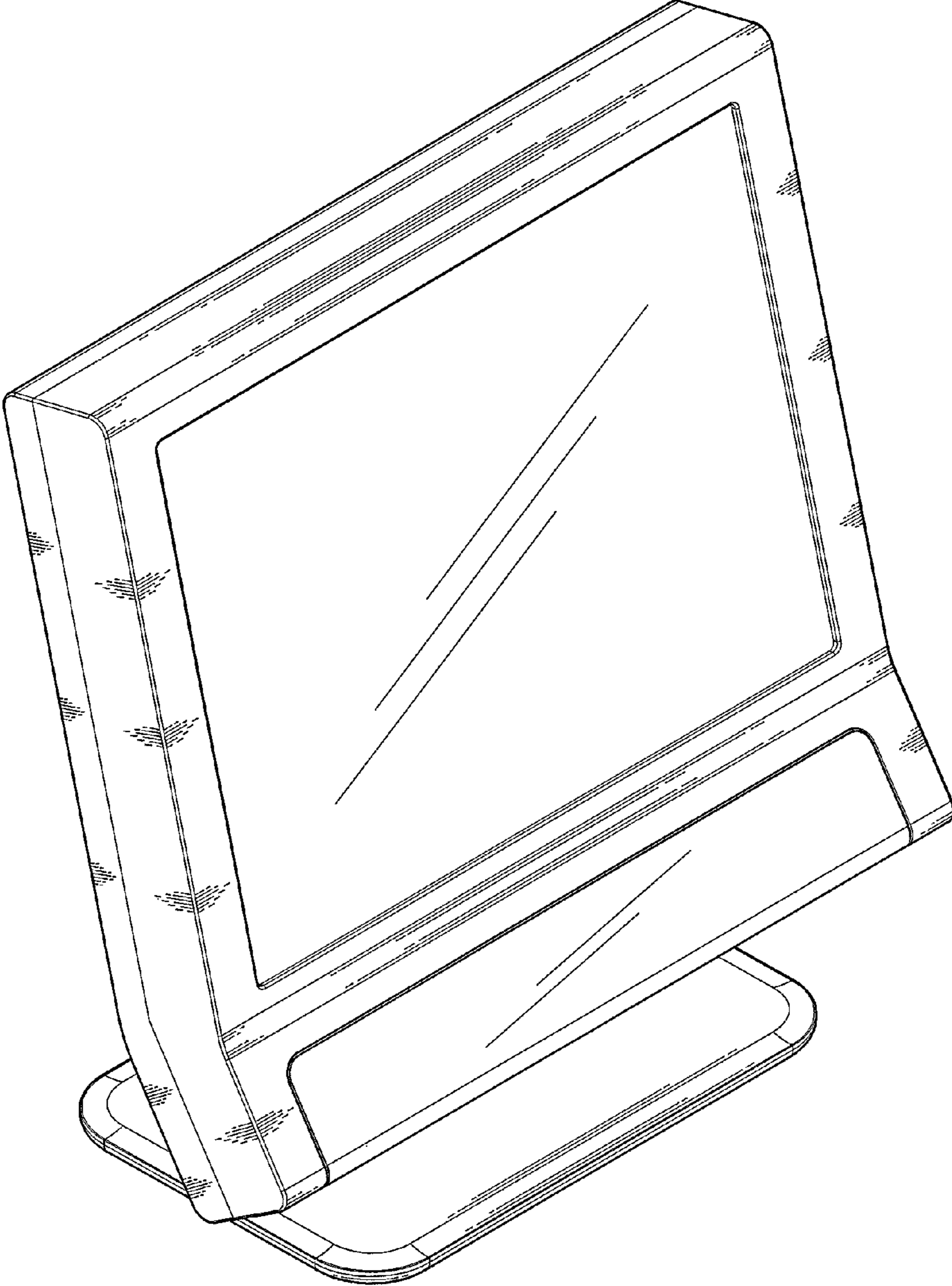


FIG. 1

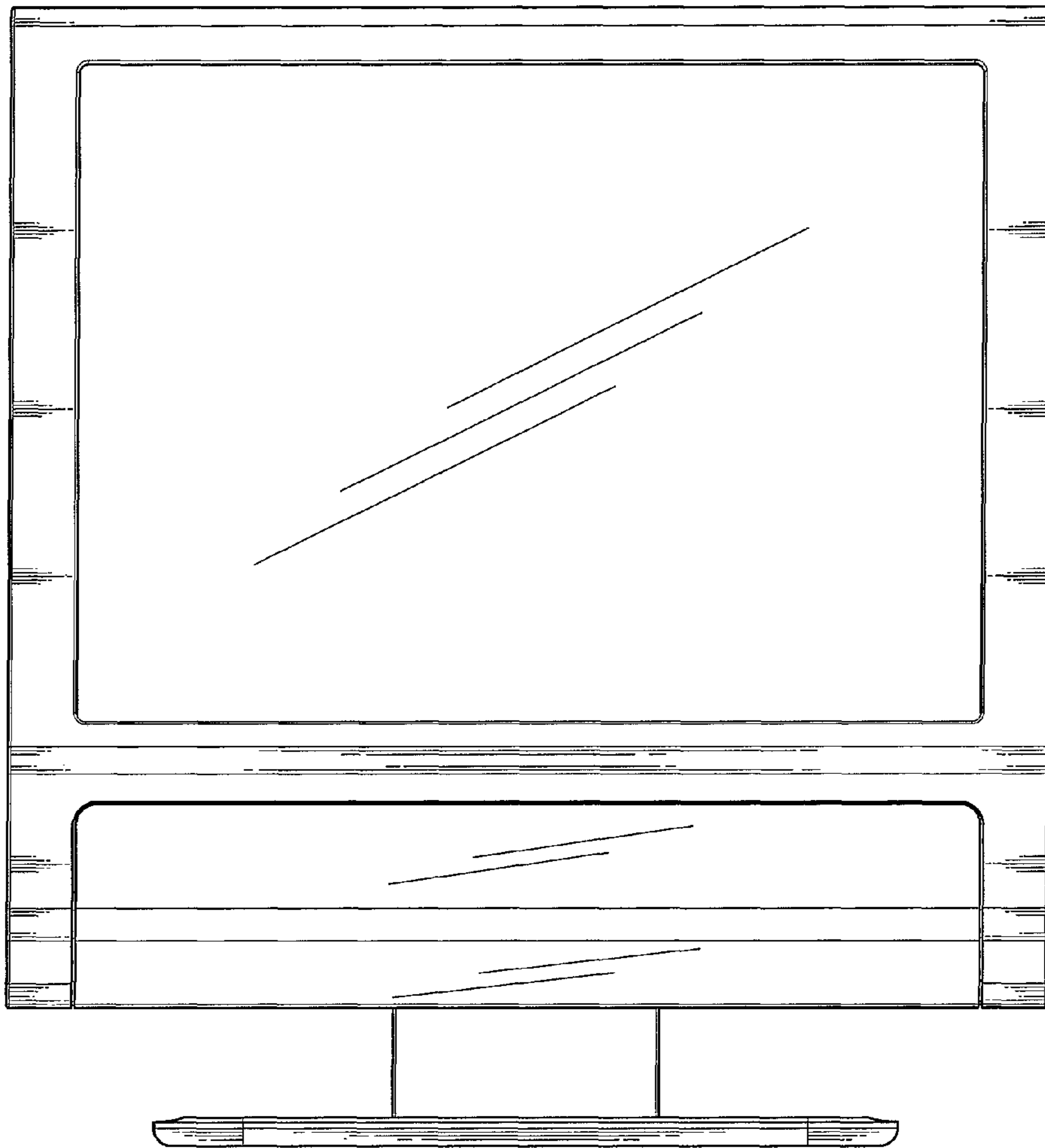


FIG. 2

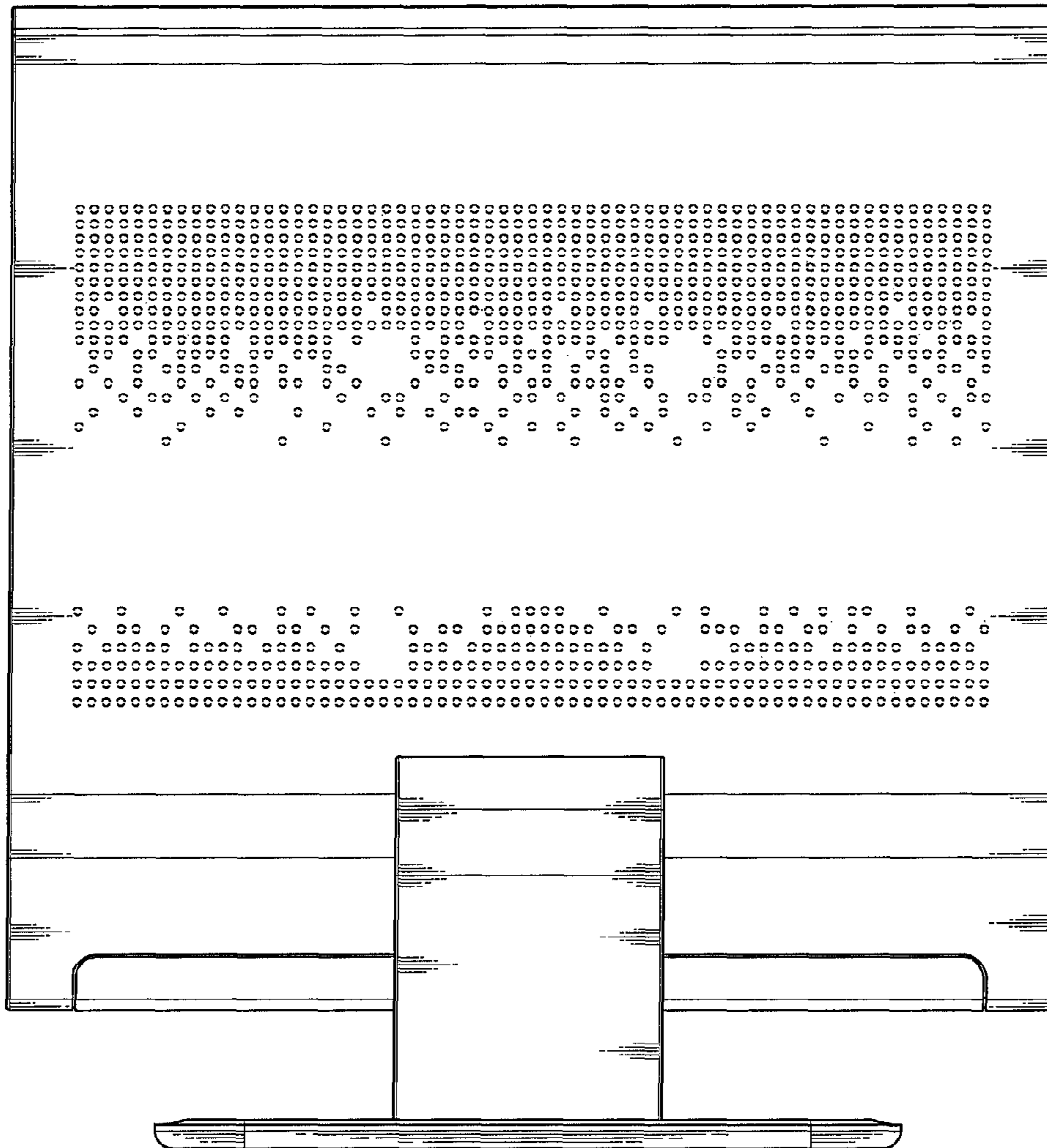


FIG. 3

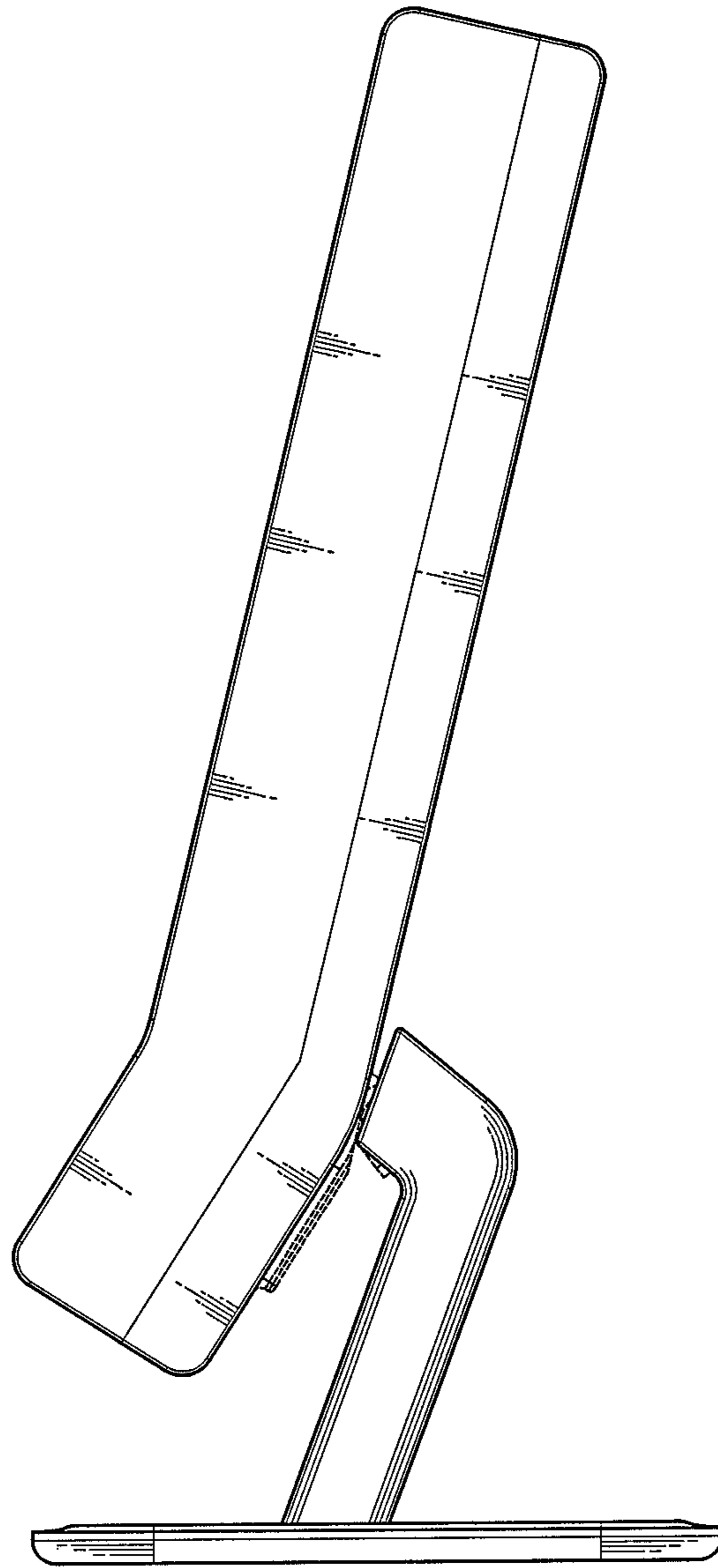


FIG. 4



FIG. 5

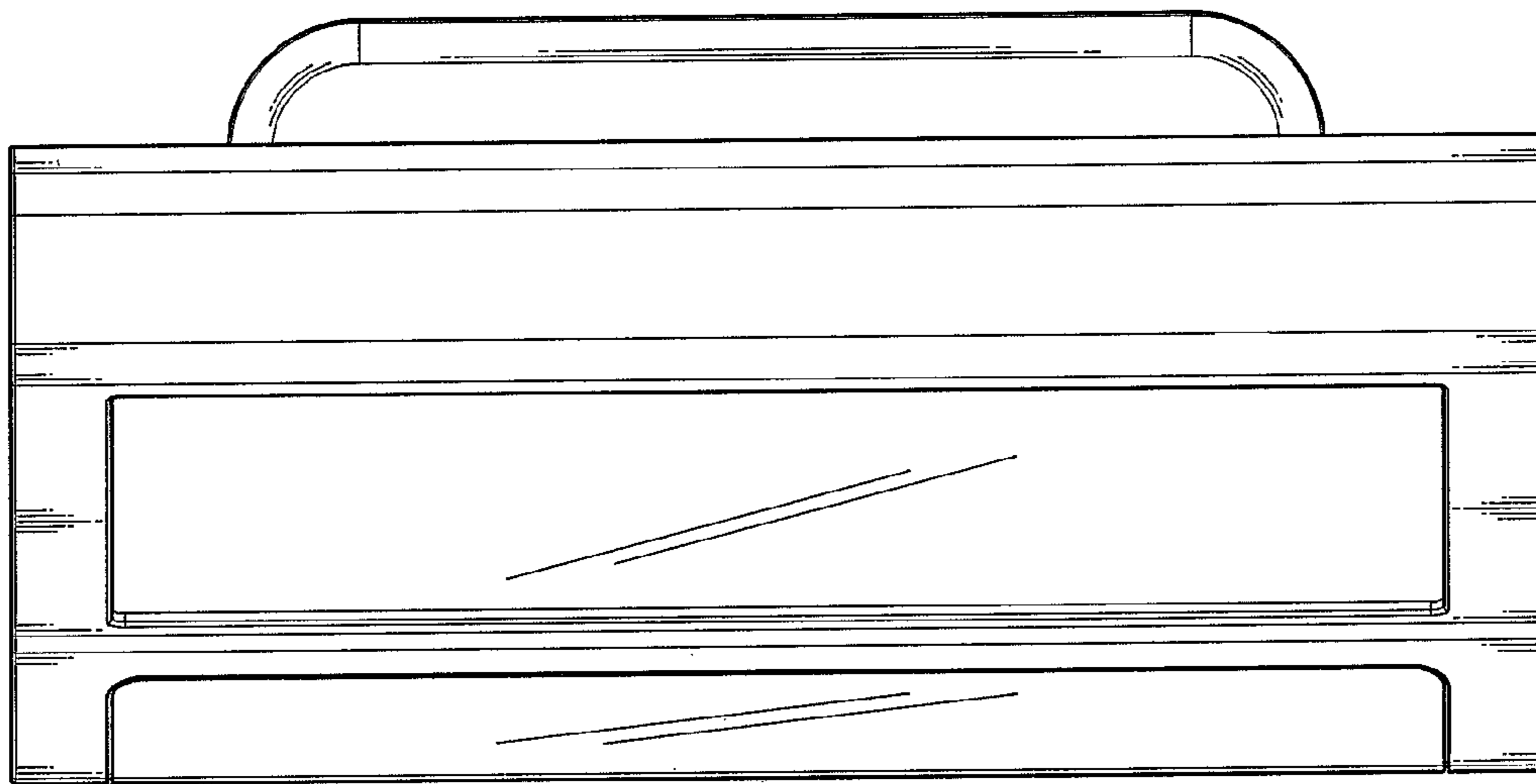


FIG. 6

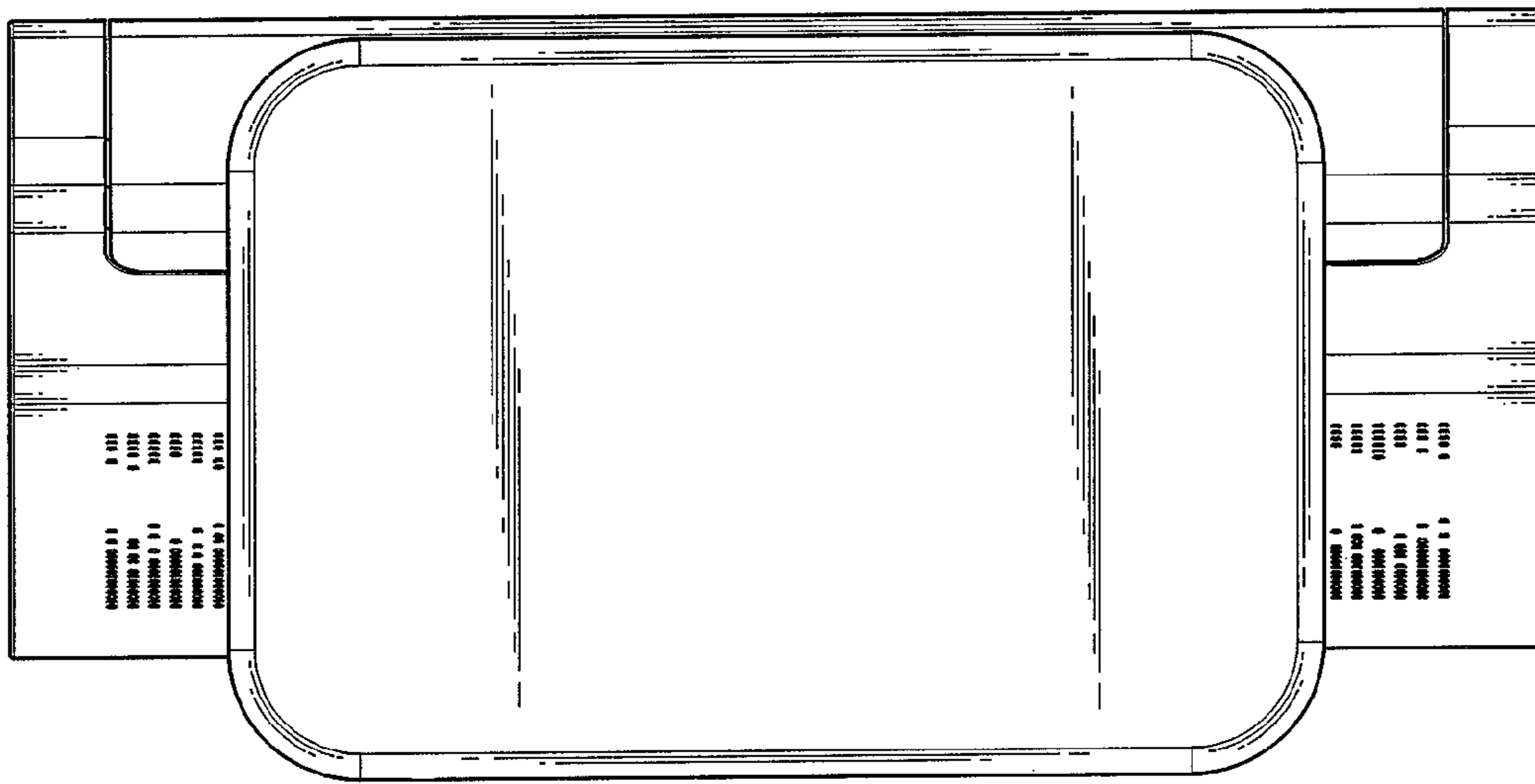


FIG. 7

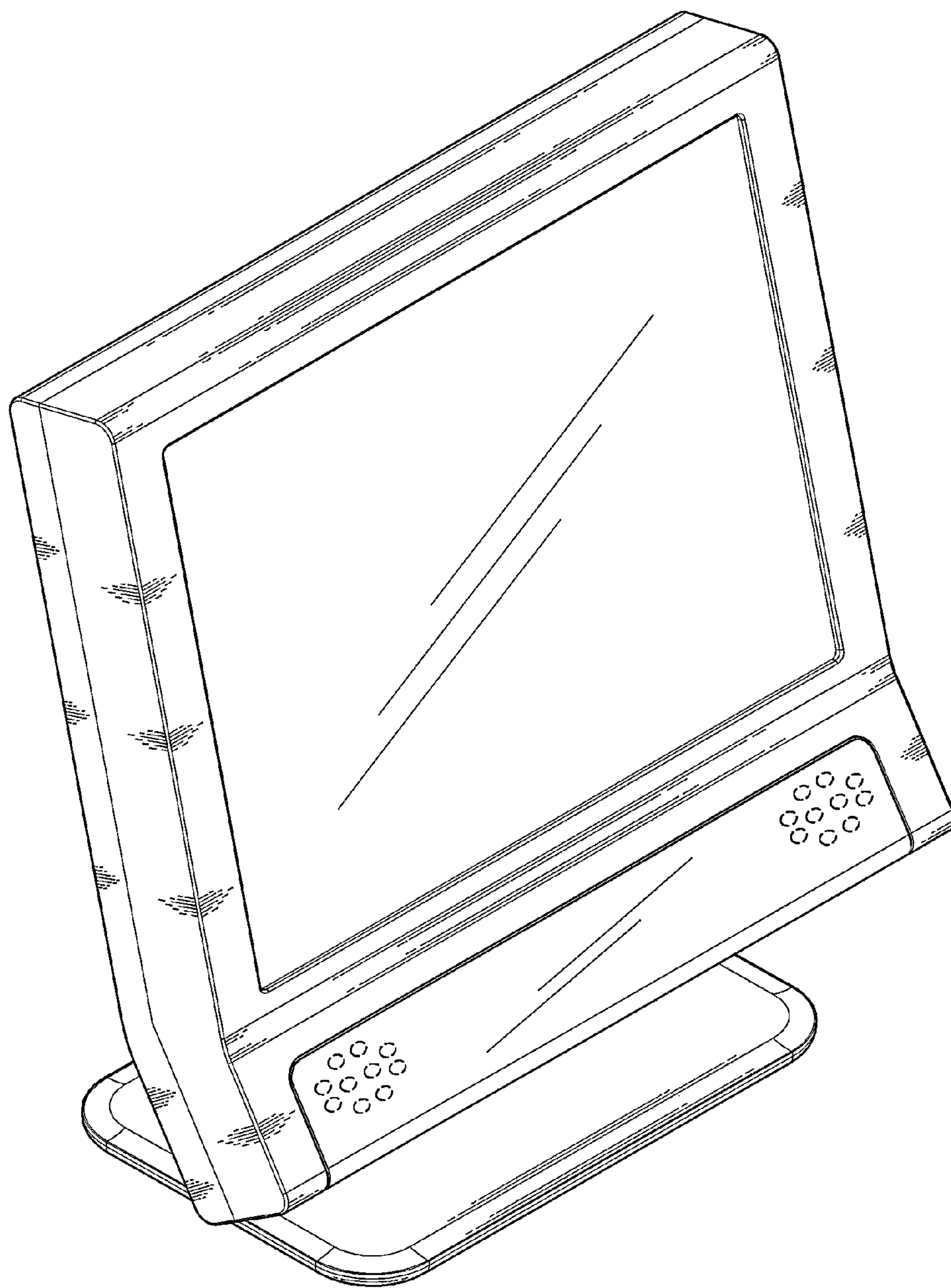


FIG. 8