

US00D722313S

(12) **United States Design Patent**
Birgeoglu

(10) **Patent No.:** **US D722,313 S**
(45) **Date of Patent:** **** Feb. 10, 2015**

(54) **KIOSK**

(71) Applicant: **Zivelo LLC**, Gas City, IN (US)

(72) Inventor: **Zubair Birgeoglu**, Gas City, IN (US)

(73) Assignee: **Zivelo LLC**, Scottsdale, AZ (US)

(**) Term: **14 Years**

(21) Appl. No.: **29/432,550**

(22) Filed: **Sep. 17, 2012**

(51) **LOC (10) Cl.** **14-02**

(52) **U.S. Cl.**
USPC **D14/307**

(58) **Field of Classification Search**
CPC G06Q 20/18
USPC D14/307, 306, 305, 304, 303, 302, 900,
D14/901, 902; D13/163, 162; D10/108;
D20/10; D21/332, 325; 187/395, 396;
361/679.02, 679.21

See application file for complete search history.

(56) **References Cited**

U.S. PATENT DOCUMENTS

D327,766 S 7/1992 Swaine et al.
D350,566 S * 9/1994 Pearson D20/40

(Continued)

FOREIGN PATENT DOCUMENTS

KR 30-0567152 7/2010

Primary Examiner — George D Kirschbaum

Assistant Examiner — Kendra L Hamilton

(74) *Attorney, Agent, or Firm* — Mintz Levin Cohn Ferris
Glovsky and Popeo, P.C.

(57) **CLAIM**

The ornamental design for a kiosk, as shown and described.

DESCRIPTION

FIG. 1 is a top, front, and right side perspective of a first embodiment of a kiosk embodying my new design.

FIG. 2 is a top, back, and right side perspective of the embodiment of FIG. 1.

FIG. 3 is a front view of the embodiment of FIG. 1.

FIG. 4 is a back view of the embodiment of FIG. 1.

FIG. 5 is a right side view of the embodiment of FIG. 1.

FIG. 6 is a left side view of the embodiment of FIG. 1.

FIG. 7 is a top view of the embodiment of FIG. 1.

FIG. 8 is a bottom view of the embodiment of FIG. 1.

FIG. 9 is a top, front, and right side perspective of a second embodiment of a kiosk embodying my new design.

FIG. 10 is a top, back, and right side perspective of the embodiment of FIG. 9.

FIG. 11 is a front view of the embodiment of FIG. 9.

FIG. 12 is a back view of the embodiment of FIG. 9.

FIG. 13 is a right side view of the embodiment of FIG. 9.

FIG. 14 is a left side view of the embodiment of FIG. 9.

FIG. 15 is a top view of the embodiment of FIG. 9.

FIG. 16 is a bottom view of the embodiment of FIG. 9.

FIG. 17 is a top, front, and right side perspective of a third embodiment of a kiosk embodying my new design.

FIG. 18 is a top, back, and right side perspective of the embodiment of FIG. 17.

FIG. 19 is a front view of the embodiment of FIG. 17.

FIG. 20 is a back view of the embodiment of FIG. 17.

FIG. 21 is a right side view of the embodiment of FIG. 17.

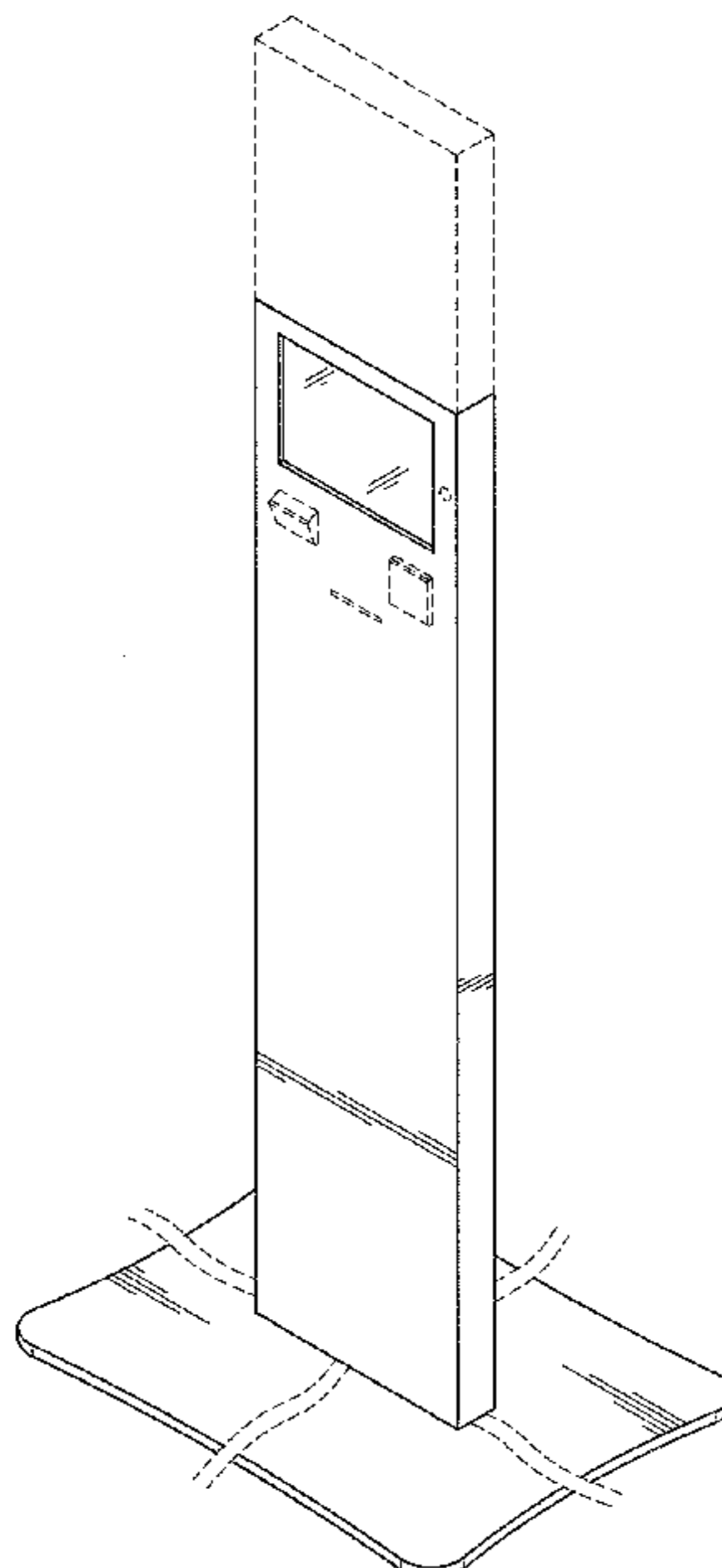
FIG. 22 is a left side view of the embodiment of FIG. 17.

FIG. 23 is a top view of the embodiment of FIG. 17; and,

FIG. 24 is a bottom view of the embodiment of FIG. 17.

The portions of the Figures shown in broken lines disclose environmental structure and form no part of the claimed design.

1 Claim, 21 Drawing Sheets



(56)

References Cited

U.S. PATENT DOCUMENTS

D357,495 S	4/1995	Skaggs et al.	
D360,764 S	8/1995	Collins	
D377,012 S *	12/1996	Oslund	D14/128
D377,784 S	2/1997	Wilson	
D378,082 S	2/1997	Wilson	
D389,522 S	1/1998	Hasselbach et al.	
D397,562 S *	9/1998	DePottay et al.	D6/468
D403,670 S	1/1999	Liao	
D415,330 S	10/1999	King	
D417,440 S	12/1999	Wilson	
D417,893 S	12/1999	Hunter et al.	
D436,999 S	1/2001	Cronley	
D442,560 S	5/2001	Prince et al.	
D468,134 S *	1/2003	Oikawa	D6/466
D473,554 S	4/2003	Landerholm et al.	
D493,816 S	8/2004	Butler	
D503,120 S	3/2005	Sato et al.	
D504,892 S	5/2005	Chen et al.	
D518,480 S	4/2006	Zheng et al.	
D585,943 S	2/2009	Pymm et al.	
D587,296 S	2/2009	Kuramochi	
D587,700 S	3/2009	Corti et al.	
D590,387 S	4/2009	Chen	
D594,068 S	6/2009	Hsu	
D605,189 S	12/2009	Kuroda	
D621,513 S	8/2010	Cinqualbre	
D627,397 S *	11/2010	Horn et al.	D20/39
D637,595 S	5/2011	Mizusugi	
D639,800 S *	6/2011	Magruder	D14/307
D646,269 S	10/2011	Crick, Jr. et al.	
D648,818 S	11/2011	Zalar	
D653,835 S	2/2012	Stremppack et al.	
D661,124 S *	6/2012	Curbbun et al.	D6/396
D661,291 S	6/2012	Renukanand et al.	
D661,292 S	6/2012	Kuroda et al.	
D661,293 S	6/2012	Kuroda et al.	
D662,329 S *	6/2012	Arko et al.	D6/332
D665,555 S *	8/2012	Lee et al.	D99/28
D669,464 S	10/2012	Birgeoglu	
D669,891 S	10/2012	Bowles et al.	
D675,608 S	2/2013	Ono	
D675,610 S	2/2013	Ono	
D676,038 S	2/2013	Masuda et al.	
D681,639 S	5/2013	Cruz et al.	
D692,885 S	11/2013	Cruz	
D695,285 S	12/2013	Smith et al.	
D697,062 S	1/2014	Nagai et al.	
D702,675 S	4/2014	Jones	
D702,676 S	4/2014	Smith et al.	
D705,213 S	5/2014	Smith et al.	
D707,674 S	6/2014	Daniel	
D707,676 S	6/2014	Azuma	
D707,677 S	6/2014	Azuma	
D708,459 S *	7/2014	Heirakuji et al.	D6/675
D709,952 S	7/2014	Logan et al.	
D711,472 S *	8/2014	Rotelli et al.	D20/10
2002/0124271 A1 *	9/2002	Herrmann et al.	725/151
2002/0198034 A1	12/2002	Wang	
2007/0143341 A1	6/2007	Brownell et al.	
2009/0289104 A1	11/2009	Yoneda	
2011/0192681 A1	8/2011	Johnson et al.	

* cited by examiner

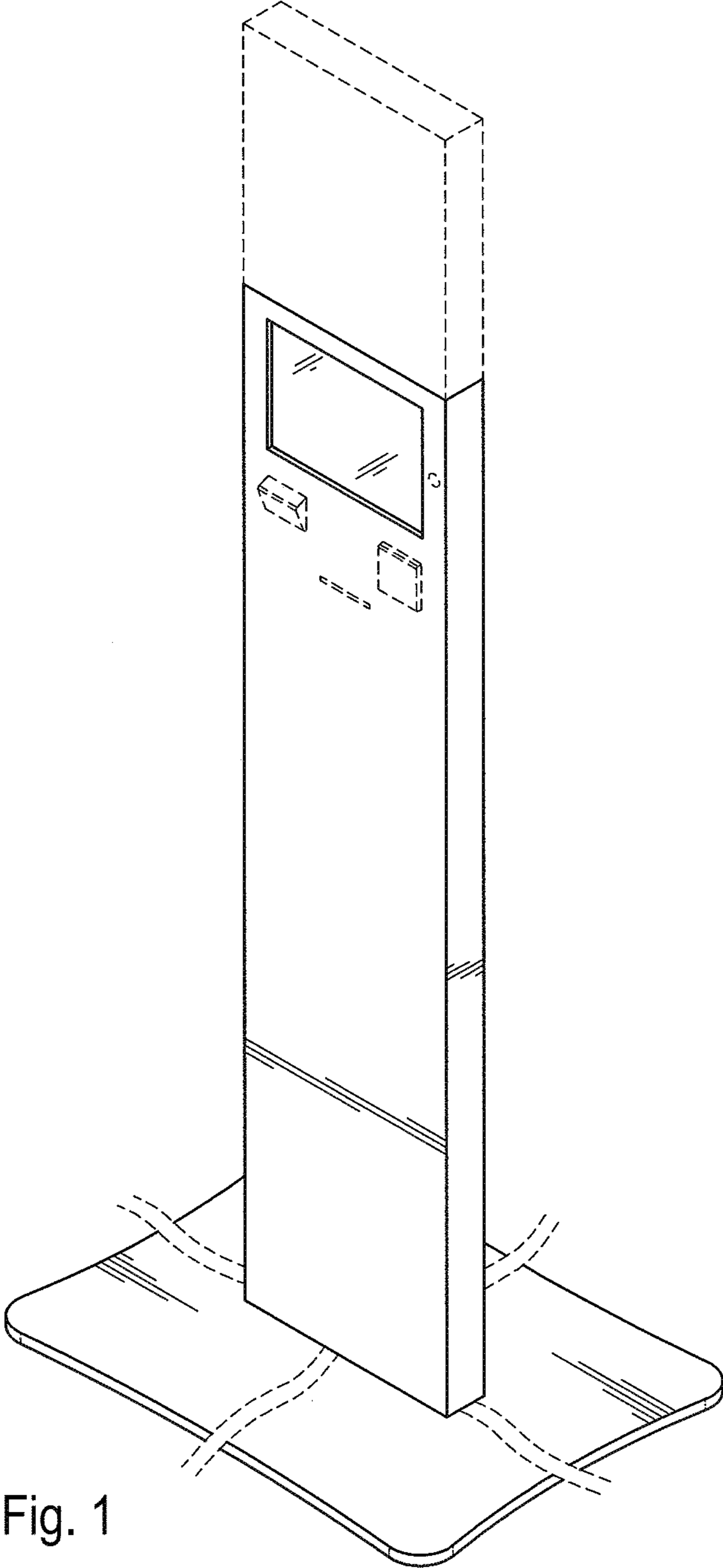


Fig. 1

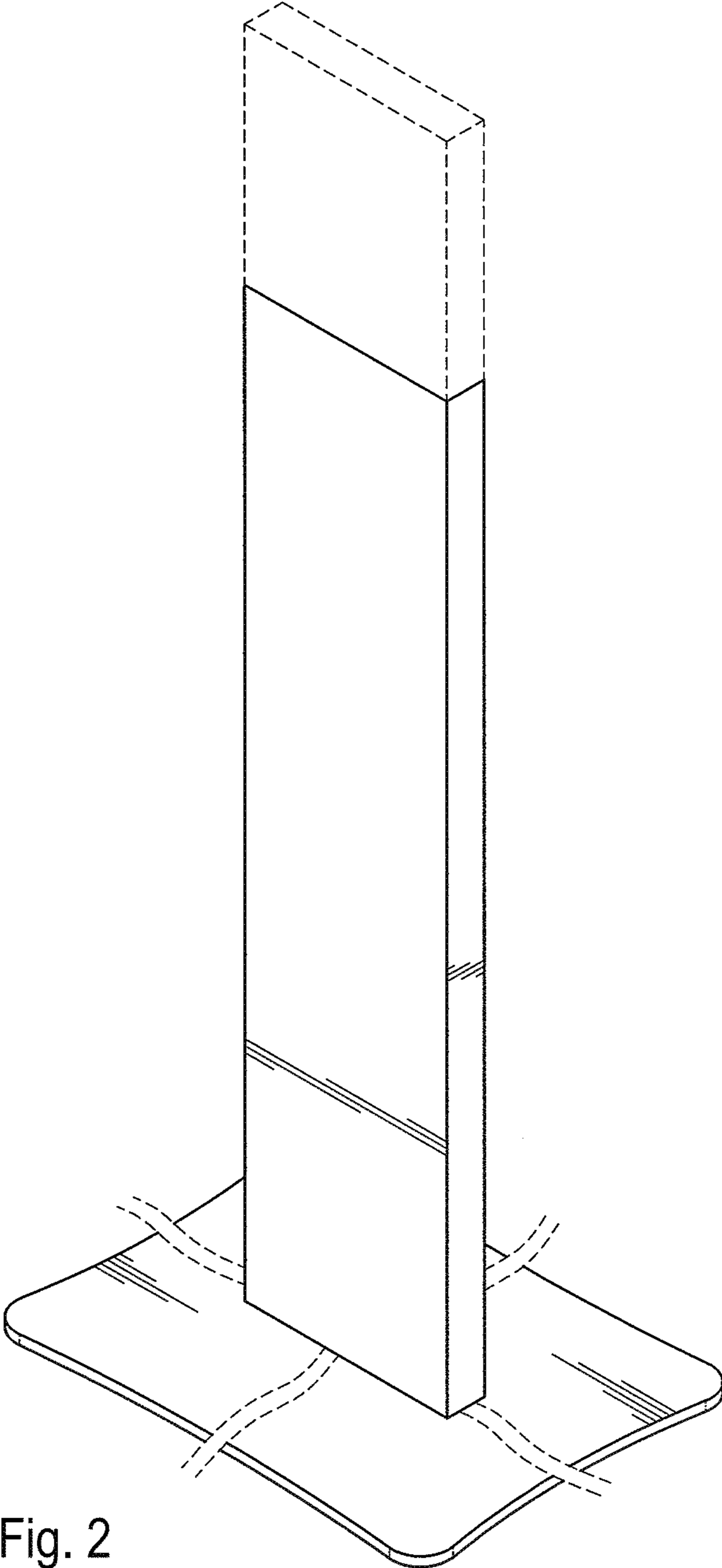


Fig. 2

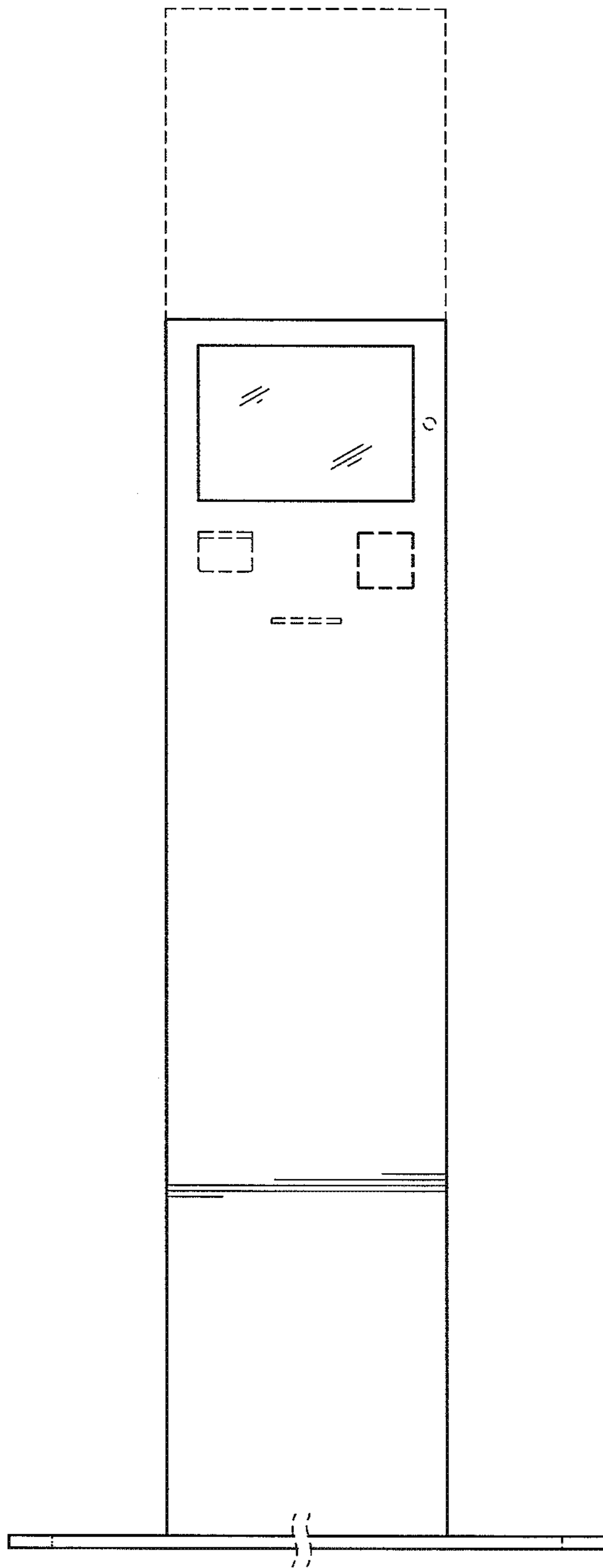


Fig. 3

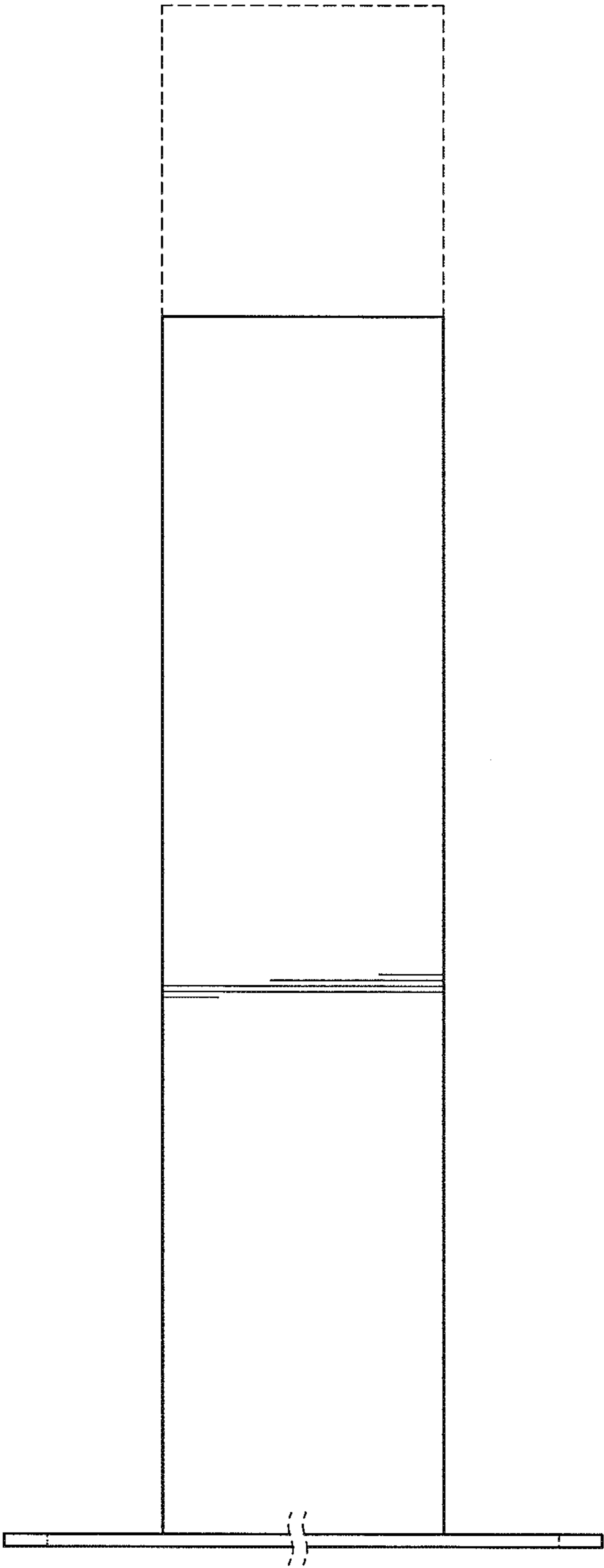


Fig. 4

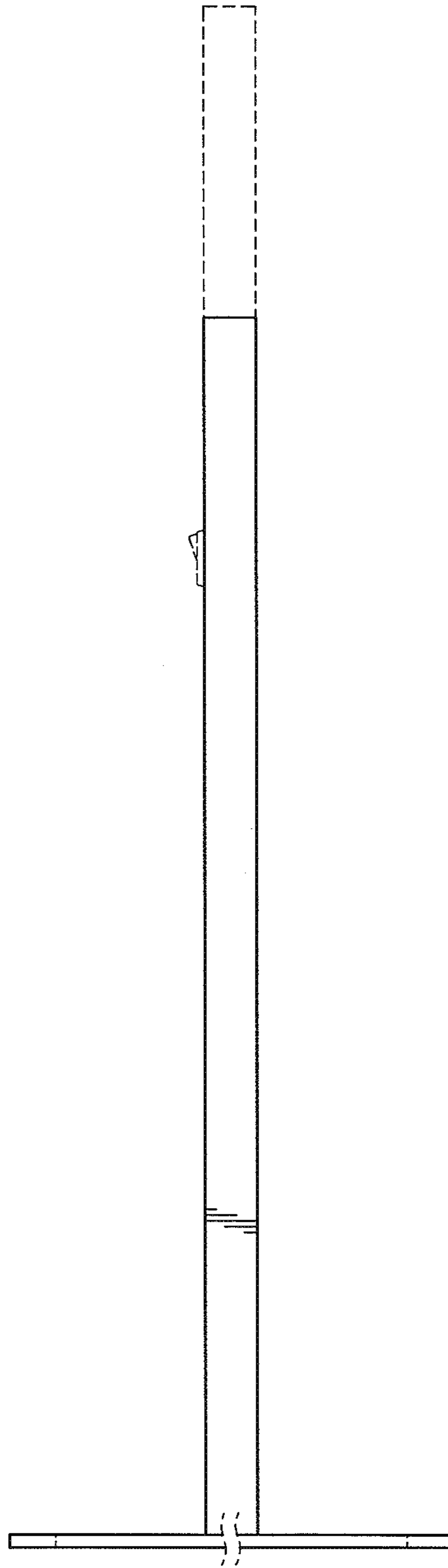


Fig. 5

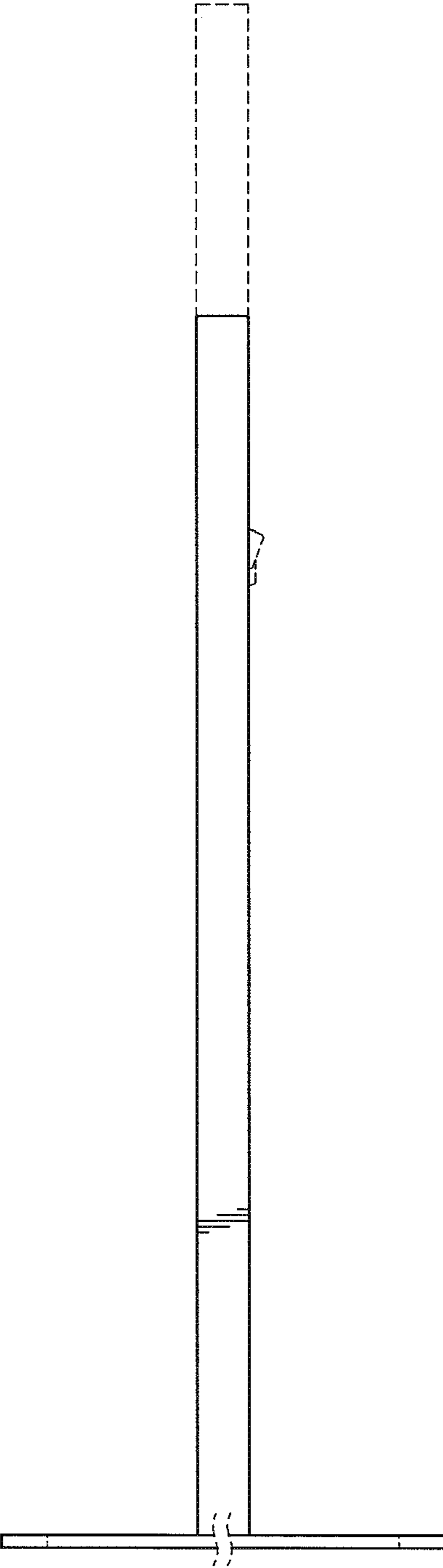


Fig. 6

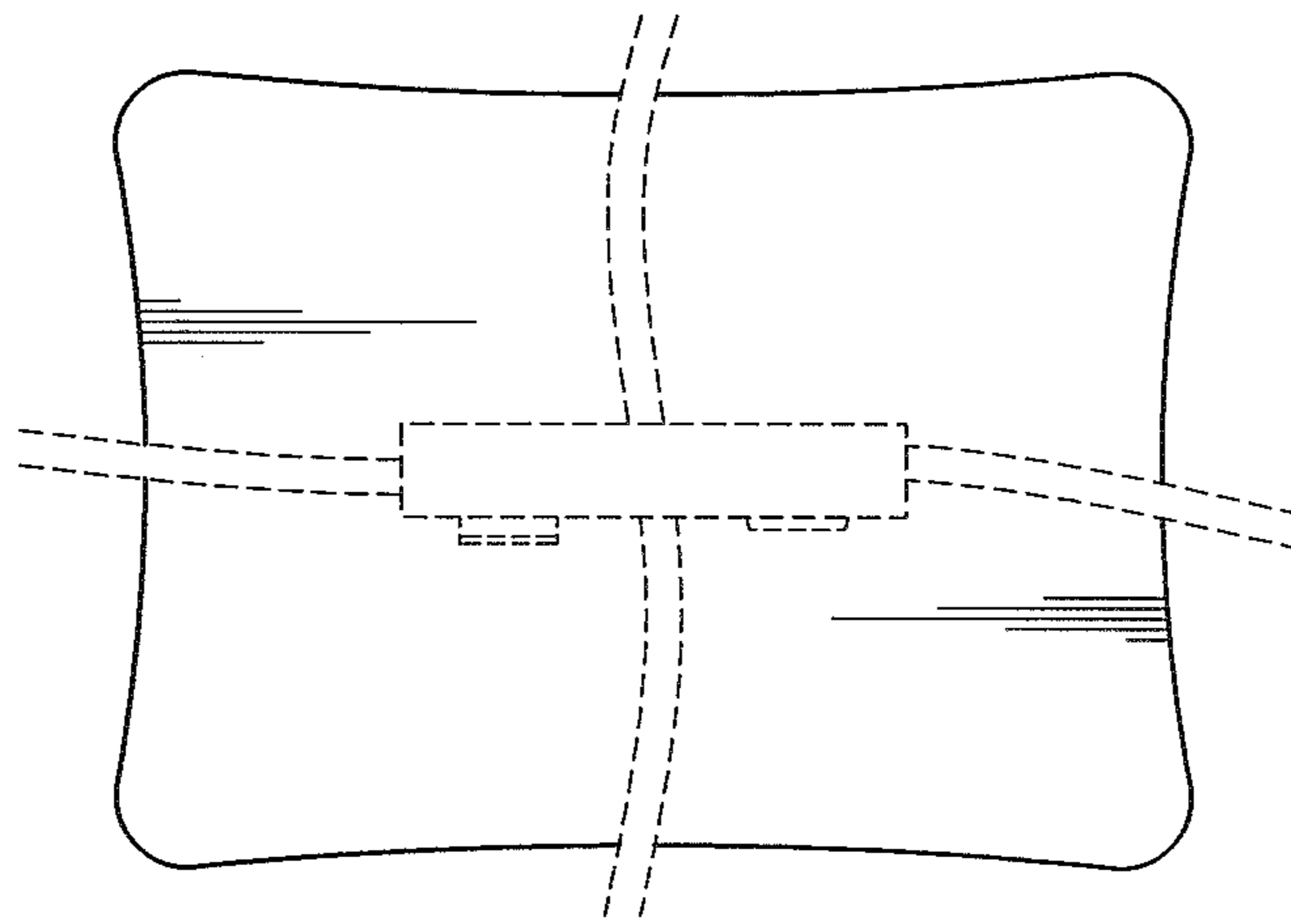


Fig. 7

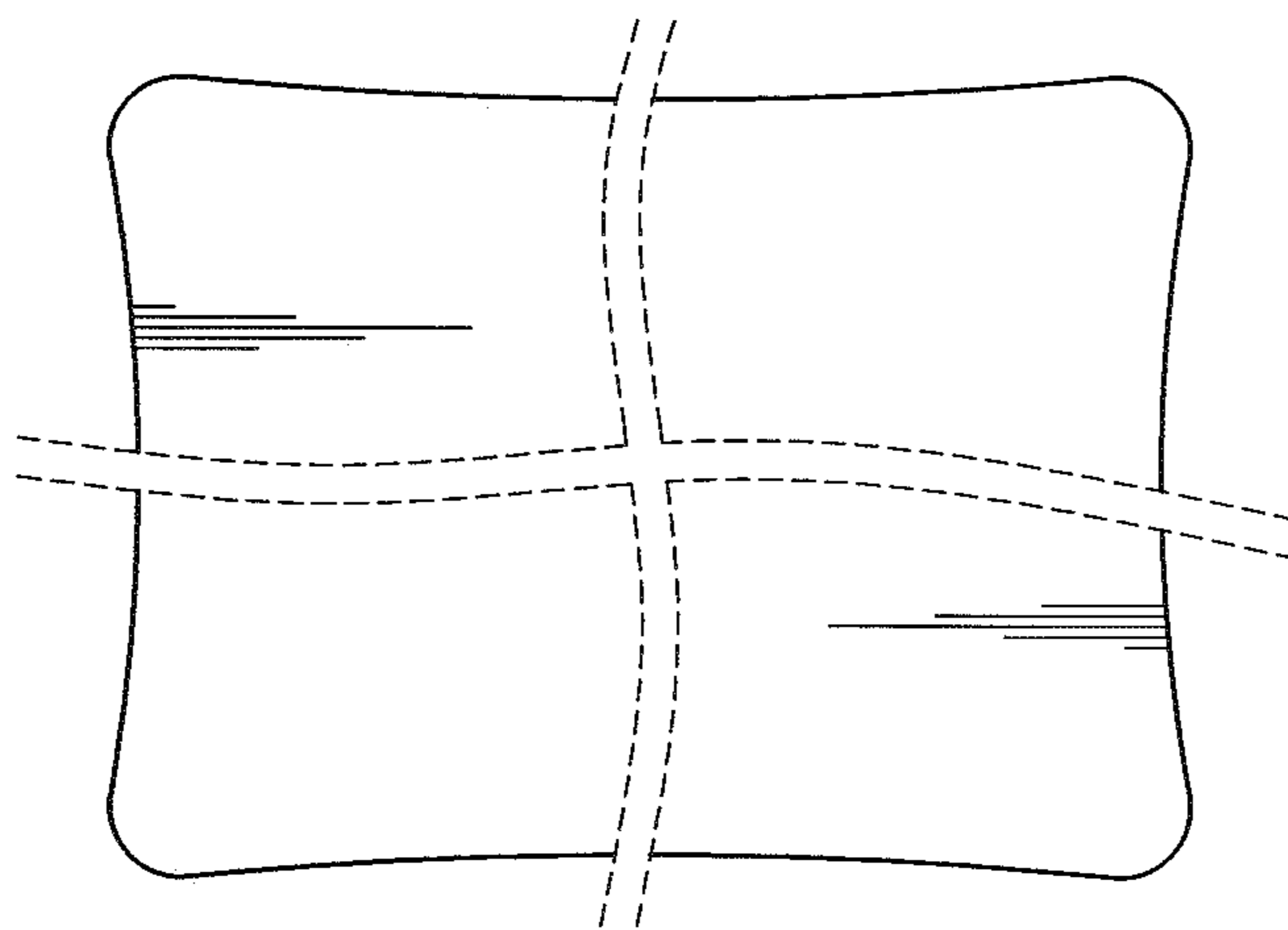


Fig. 8

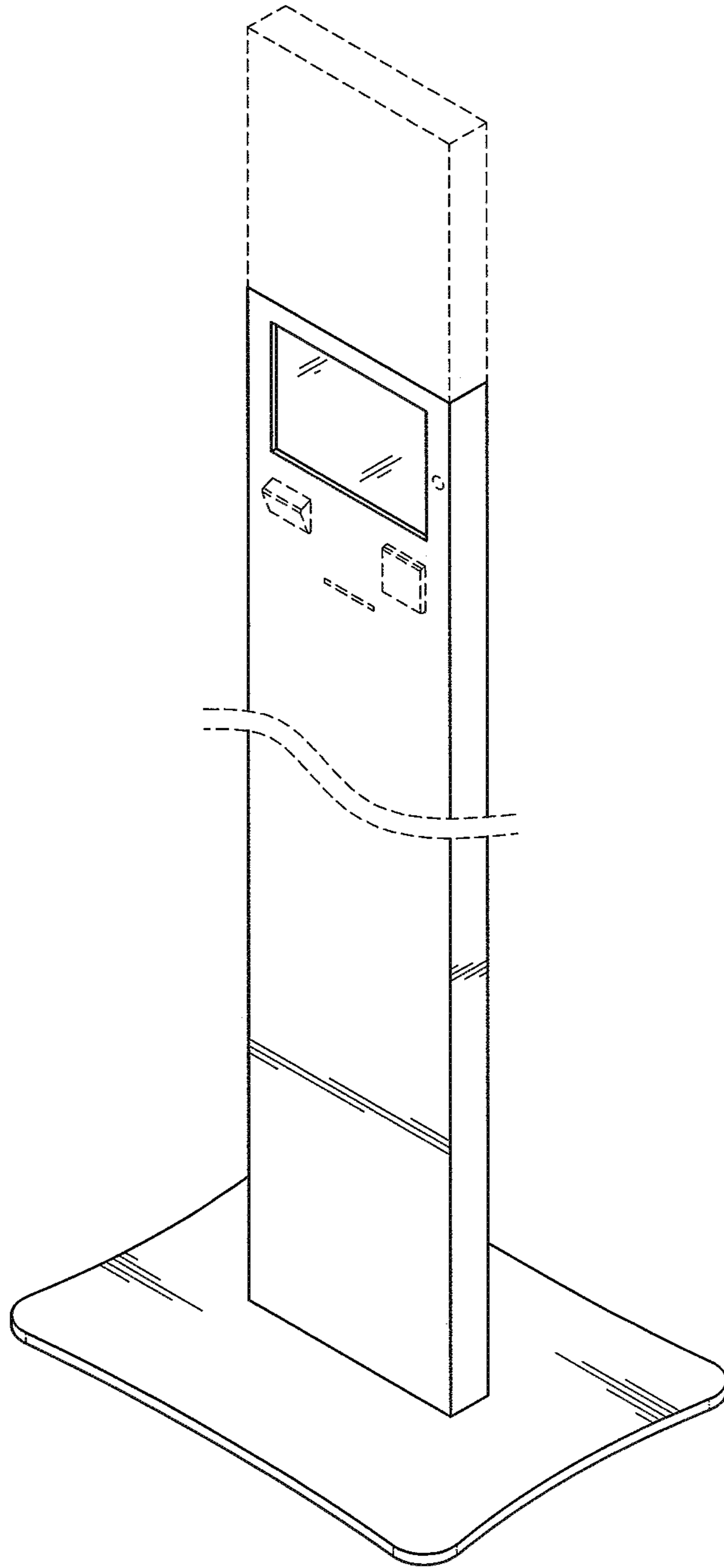


Fig. 9

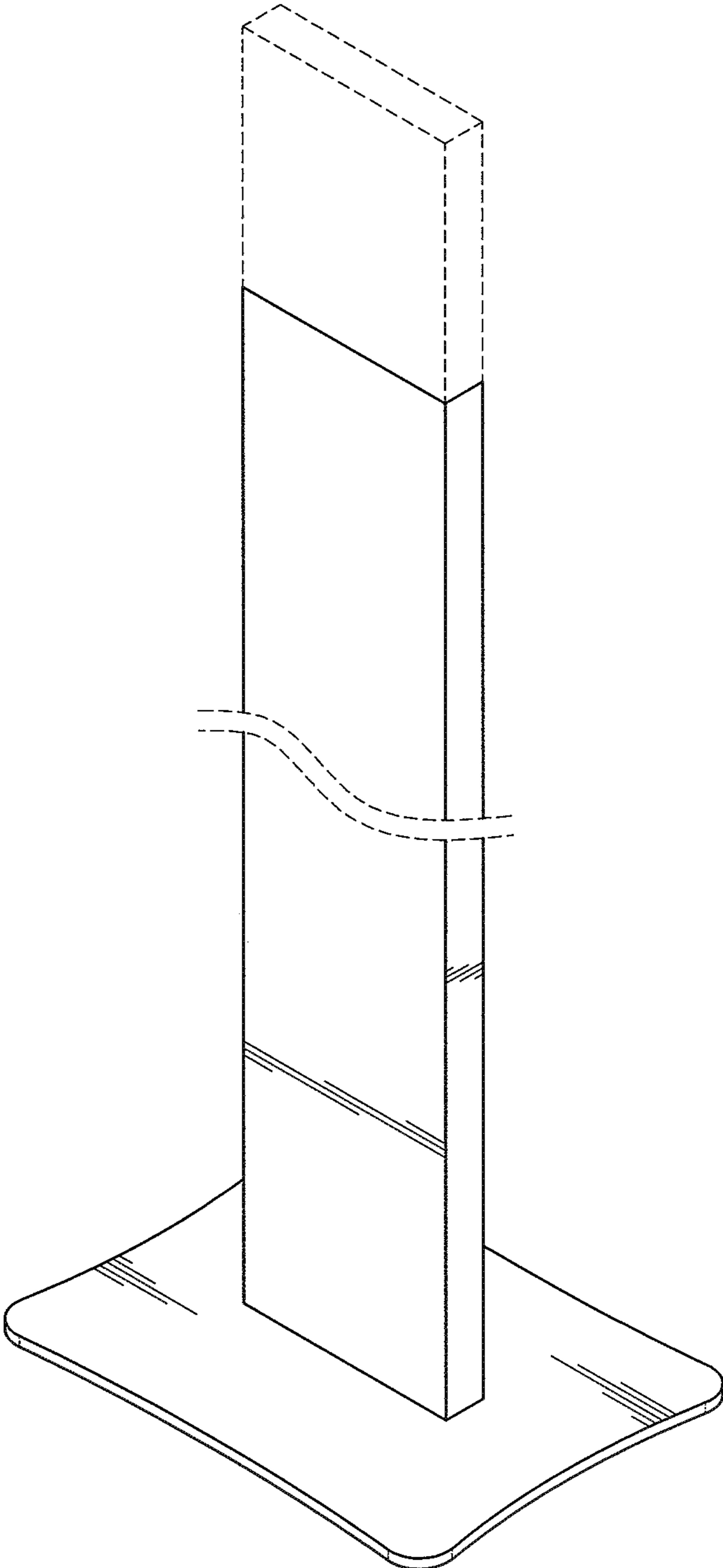


Fig. 10

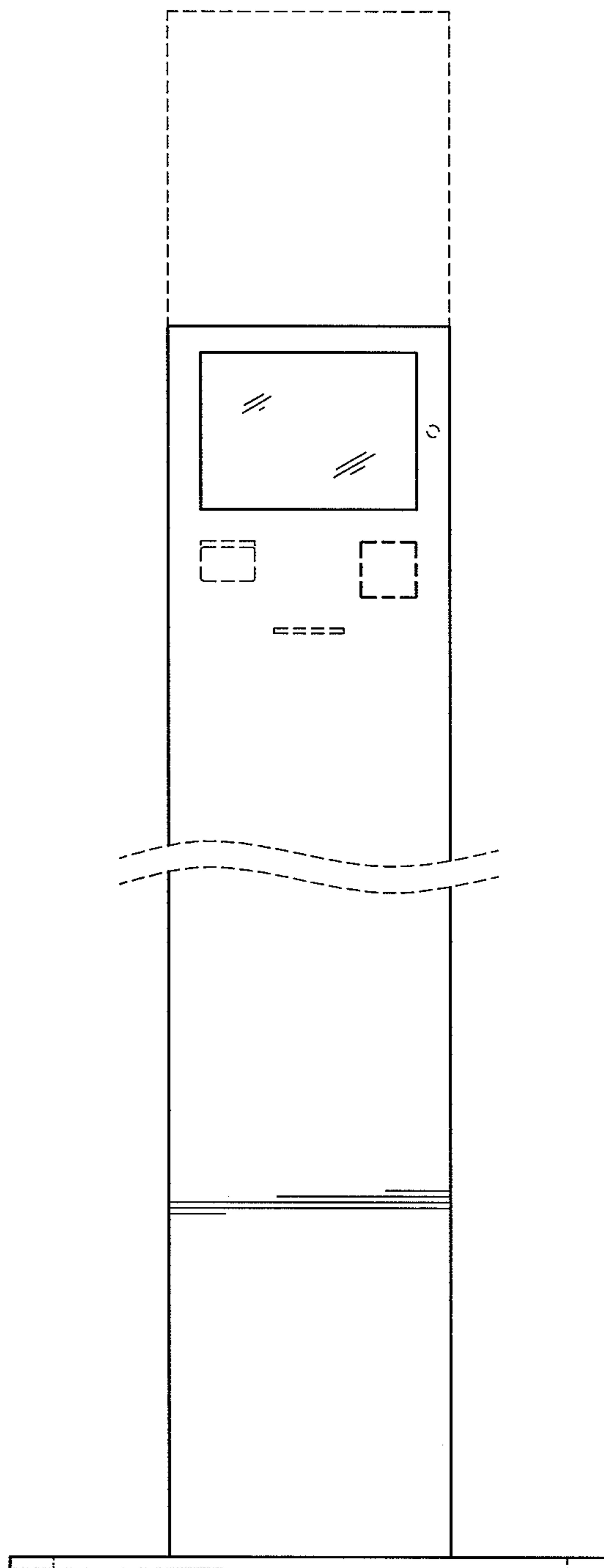


Fig. 11

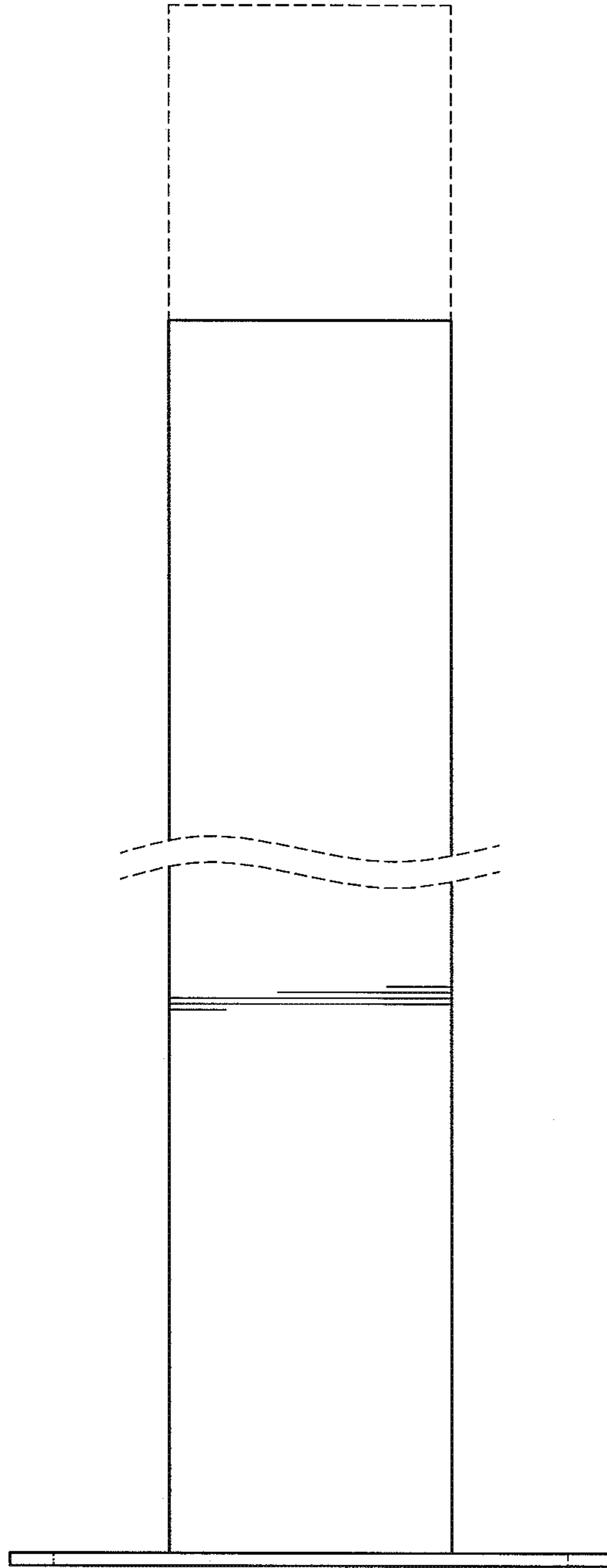


Fig. 12

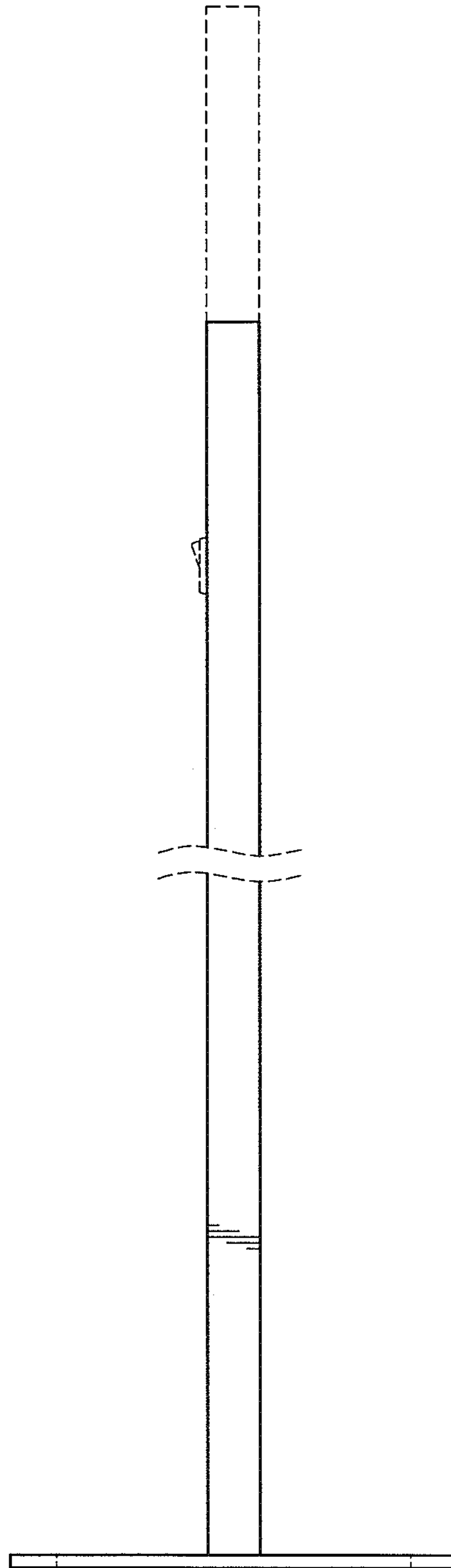


Fig. 13

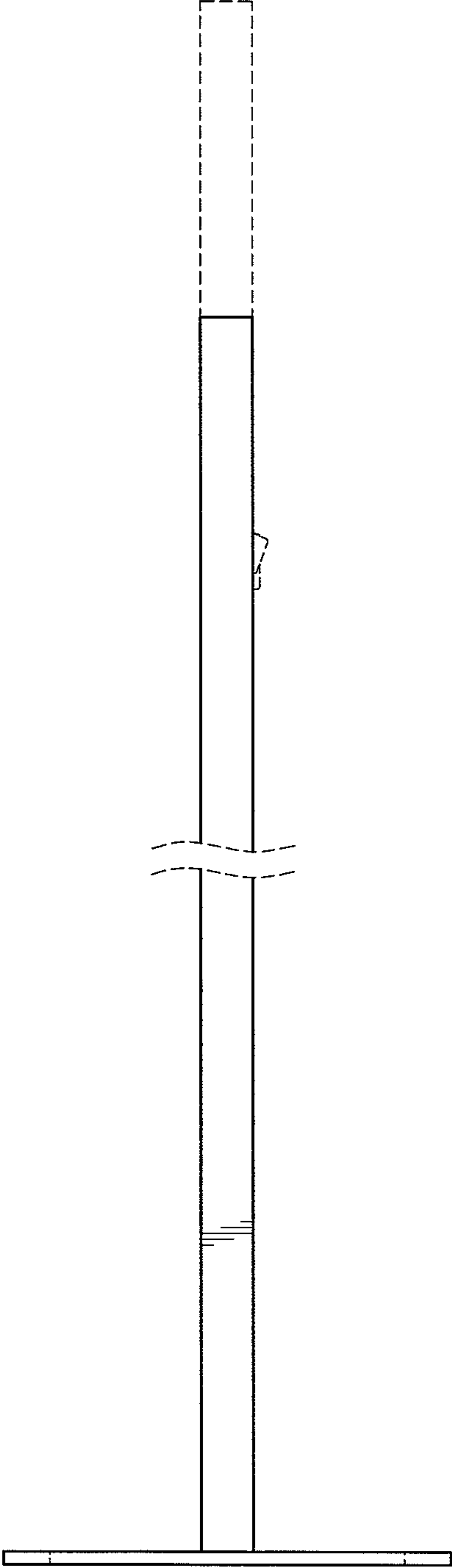


Fig. 14

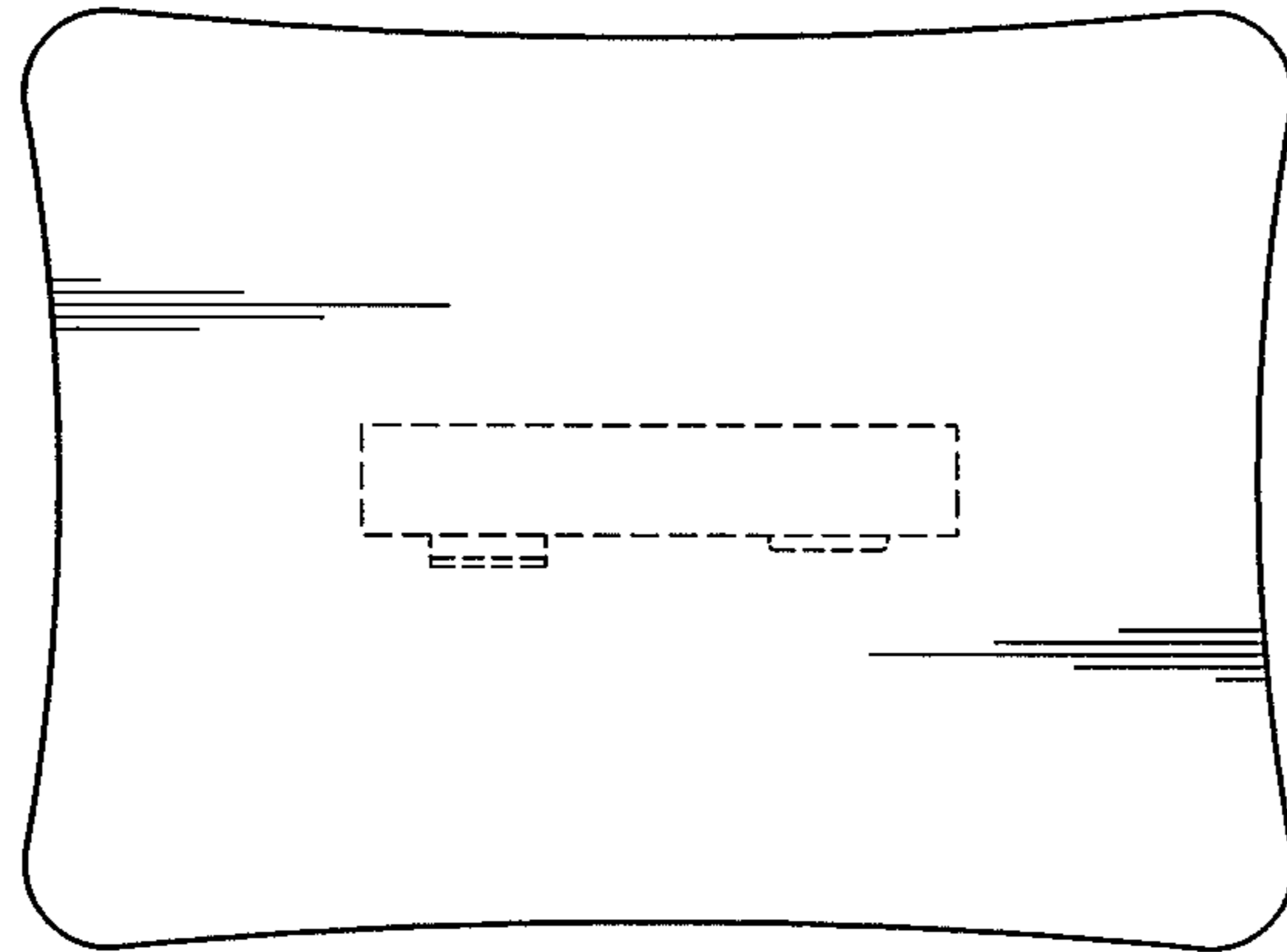


Fig. 15

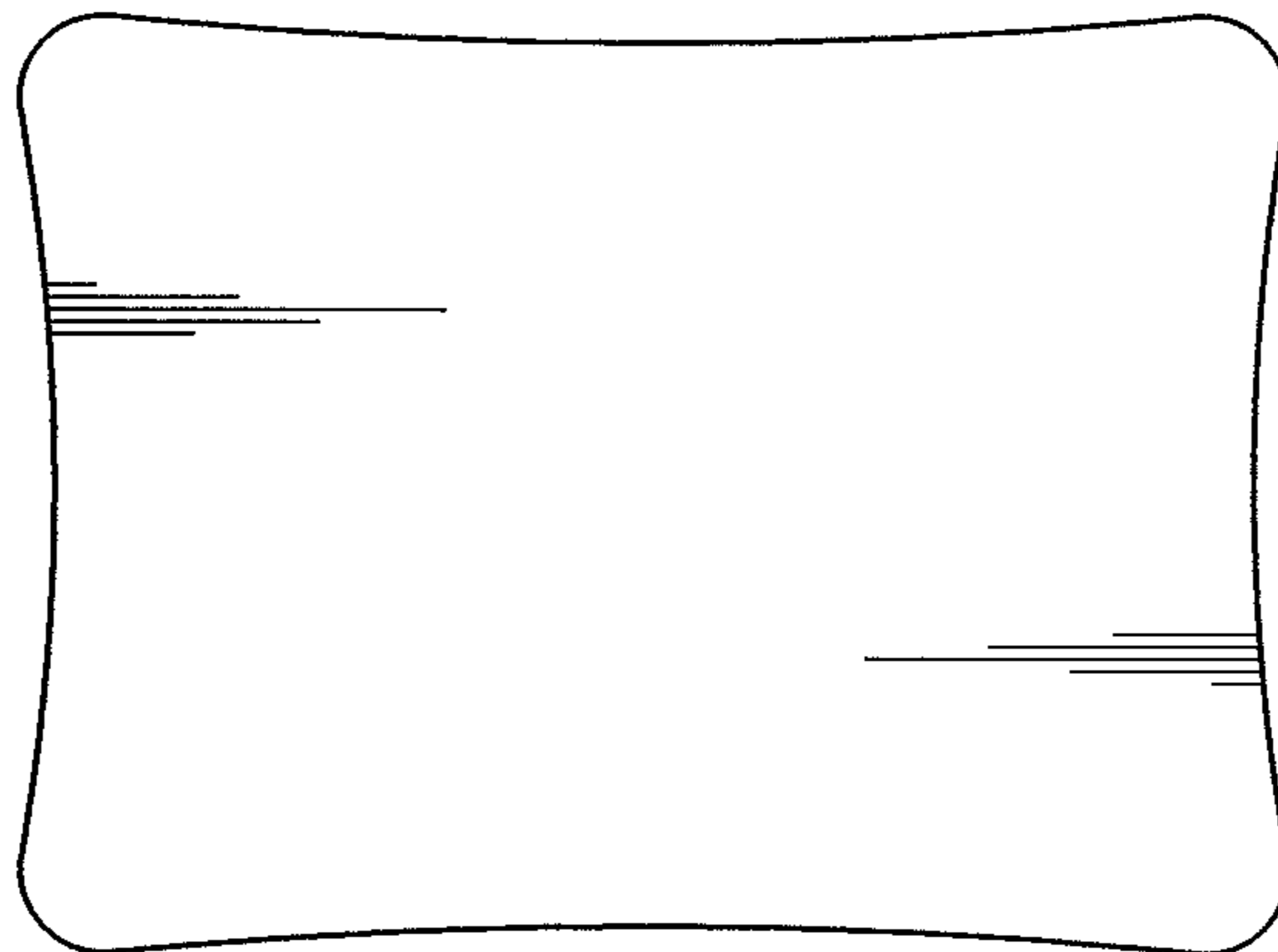


Fig. 16

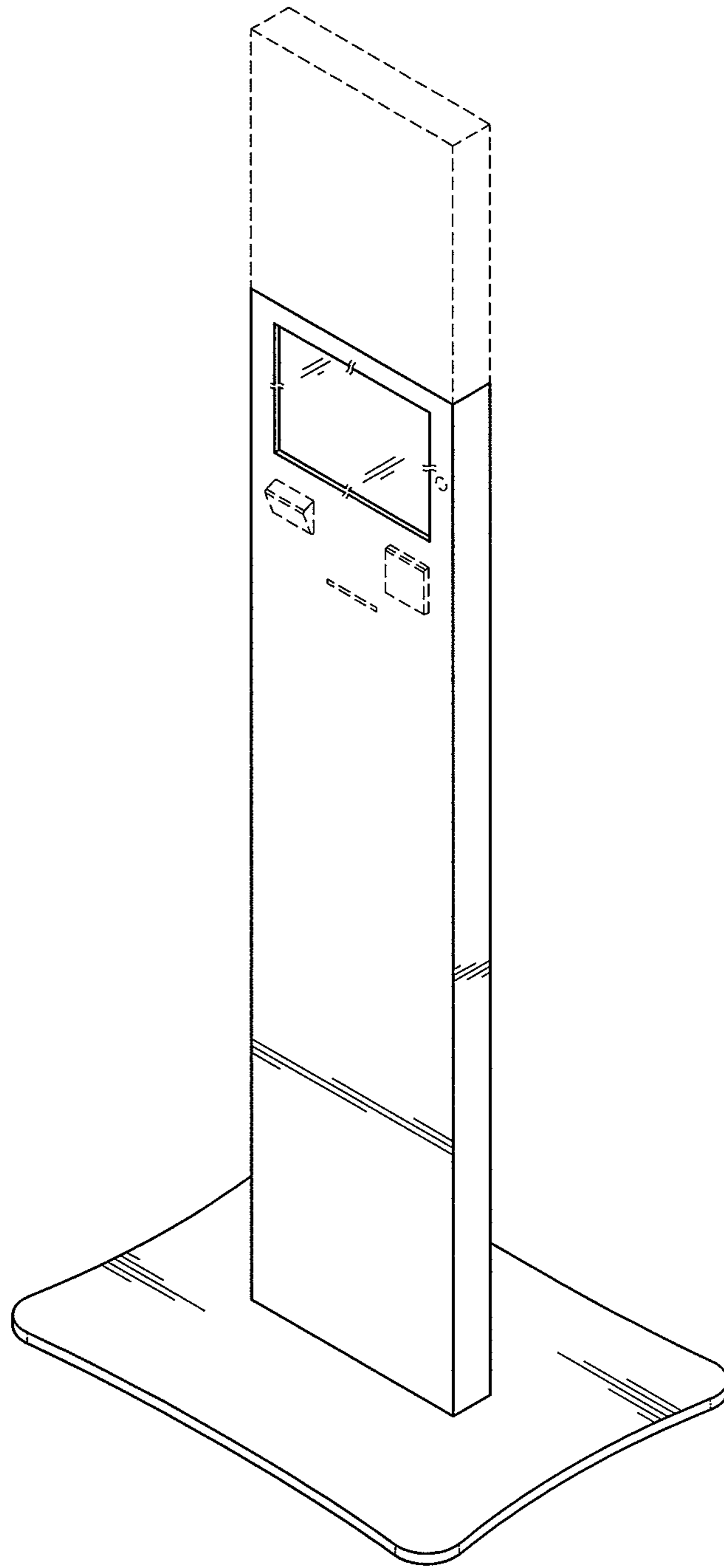


Fig. 17

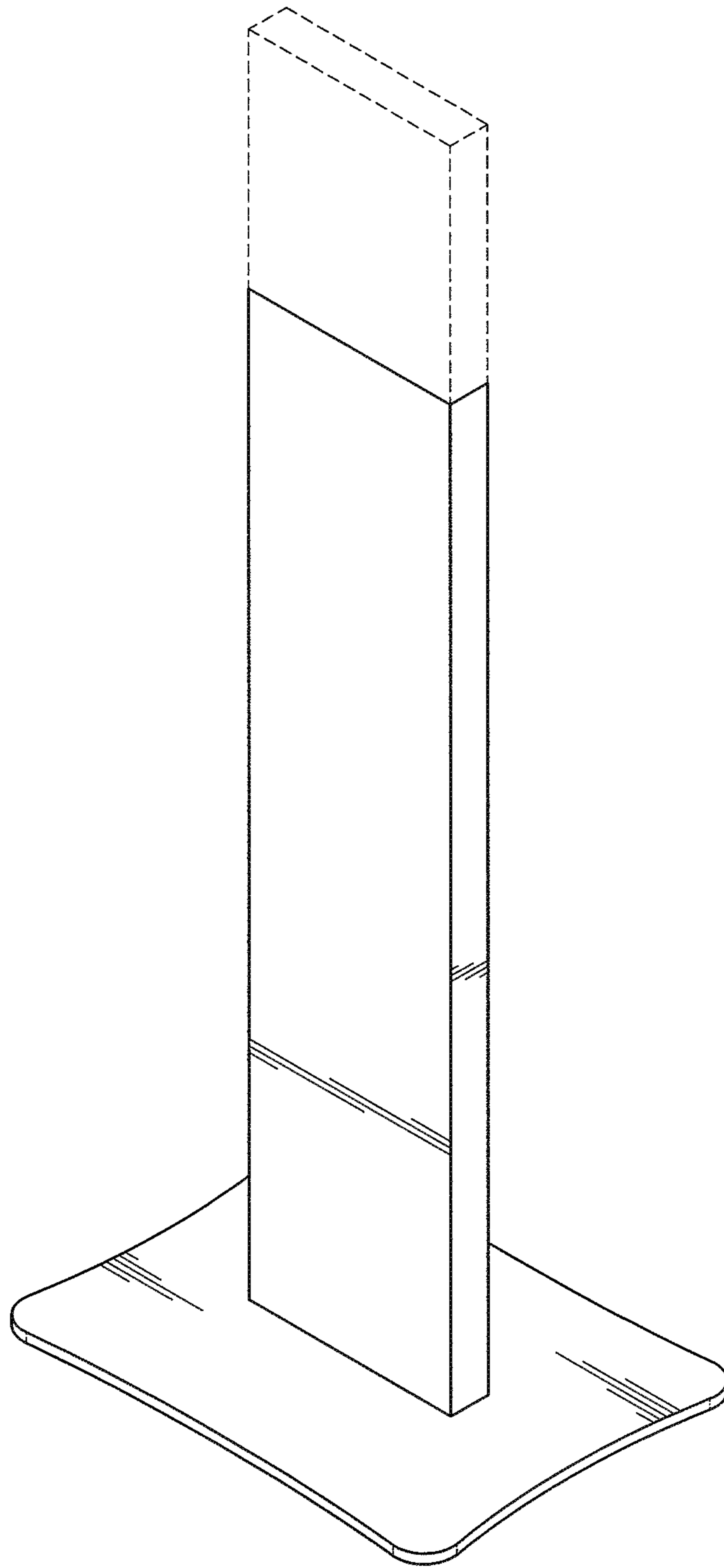


Fig. 18

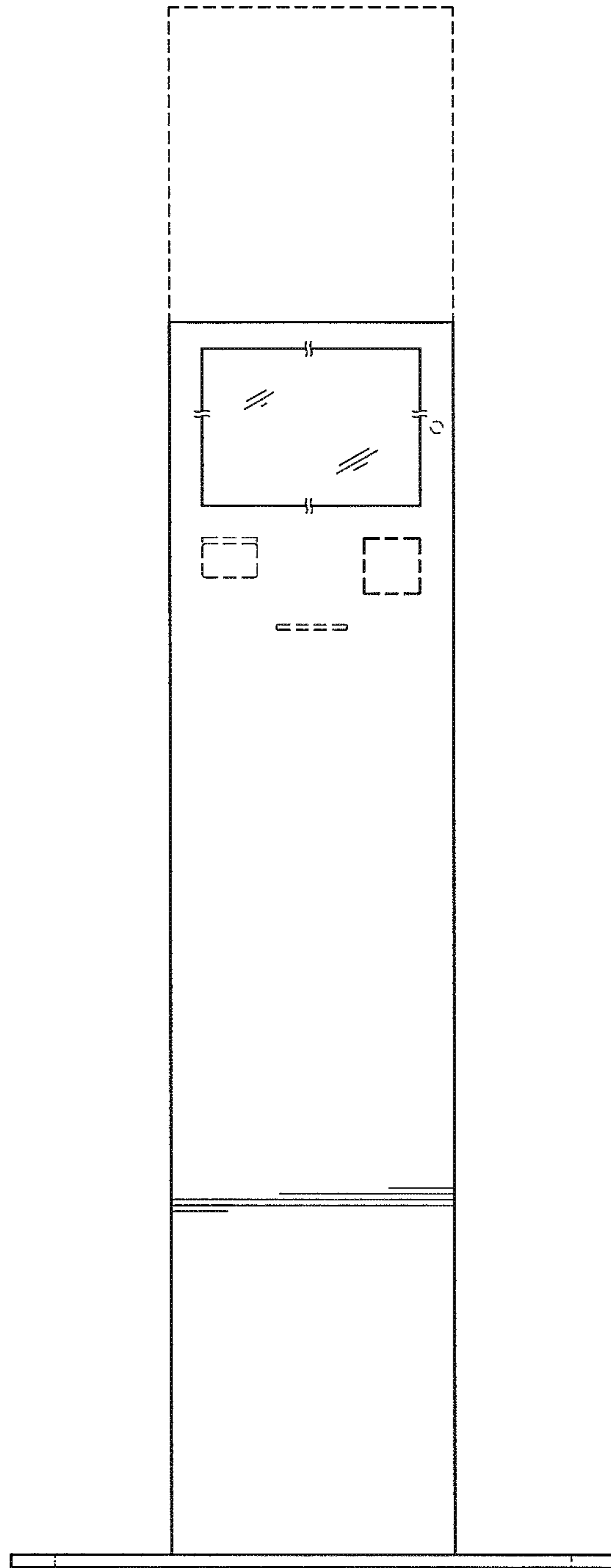


Fig. 19

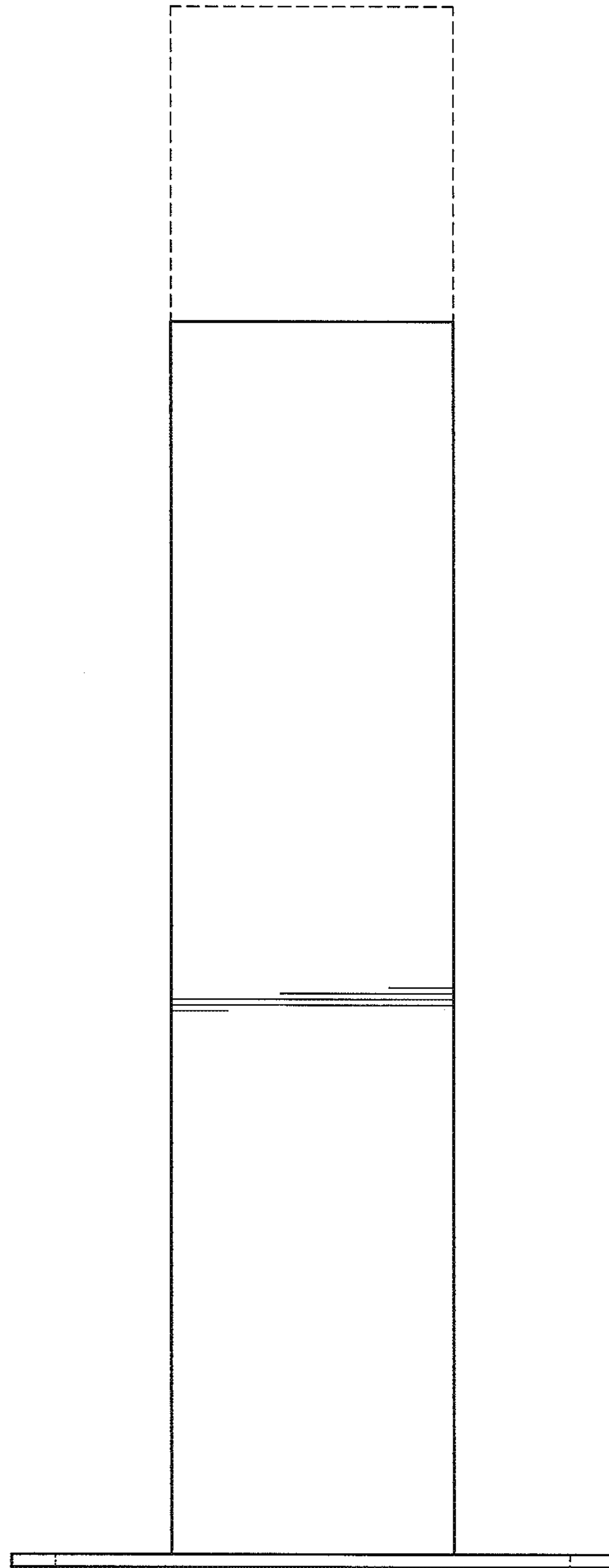


Fig. 20

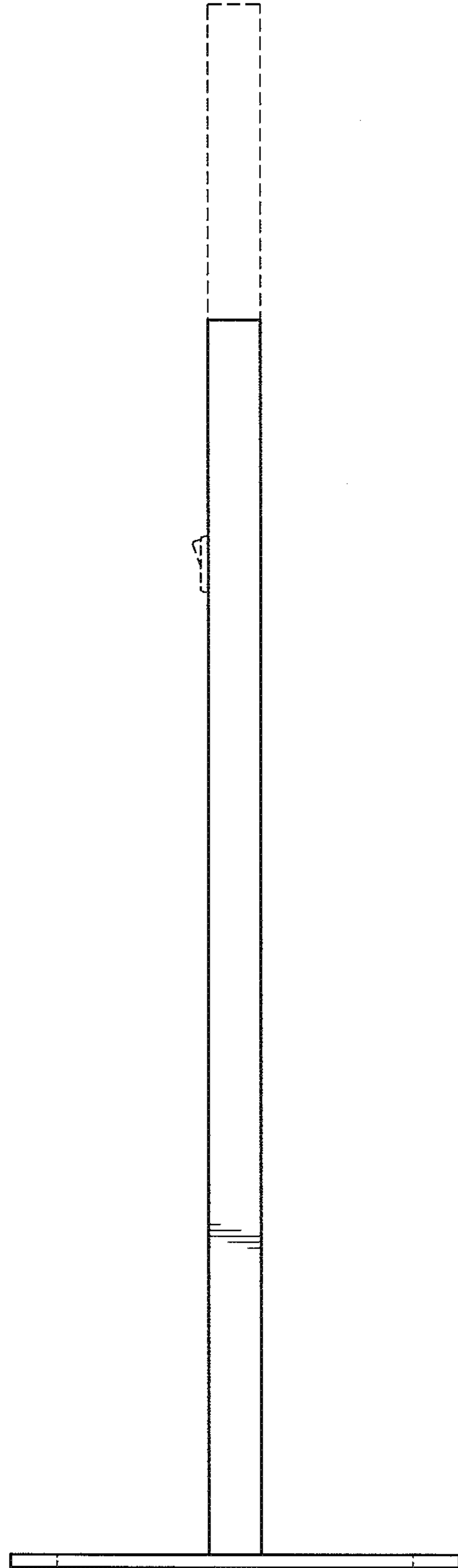


Fig. 21

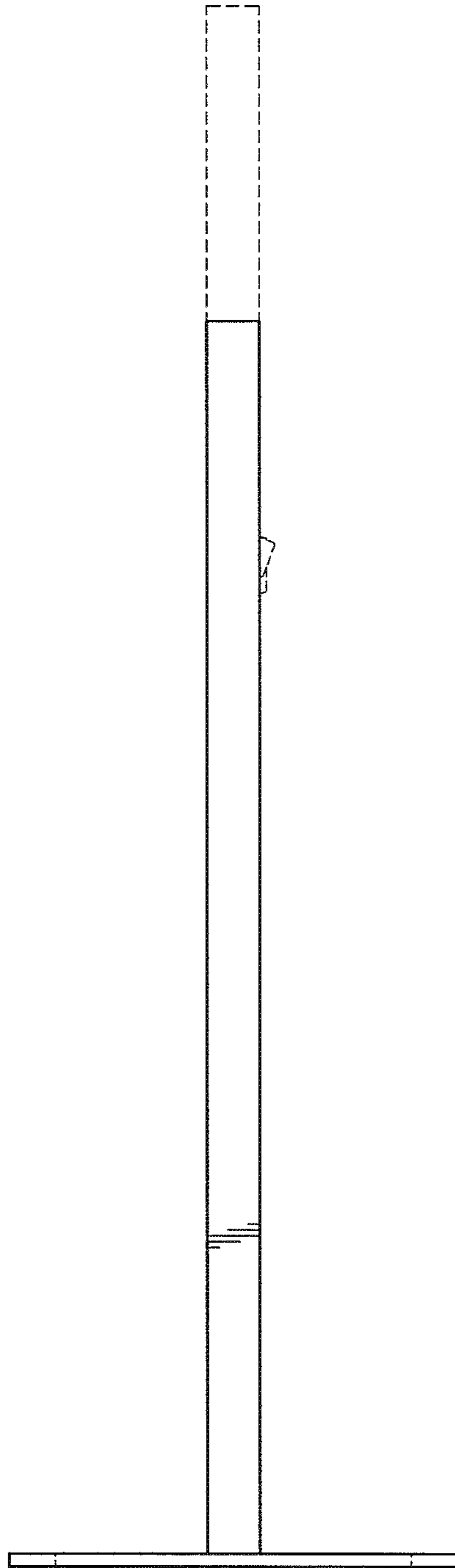


Fig. 22

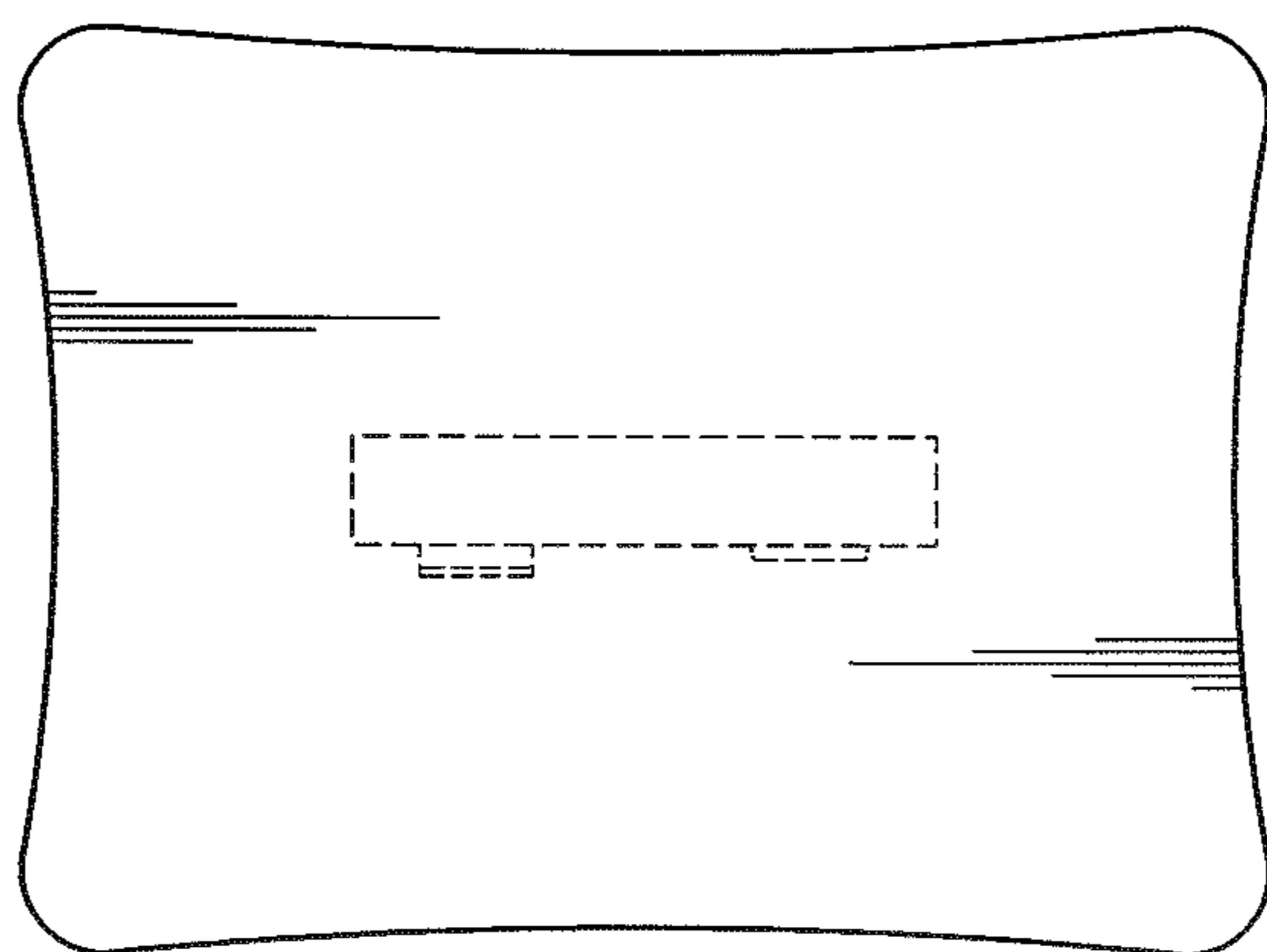


Fig. 23

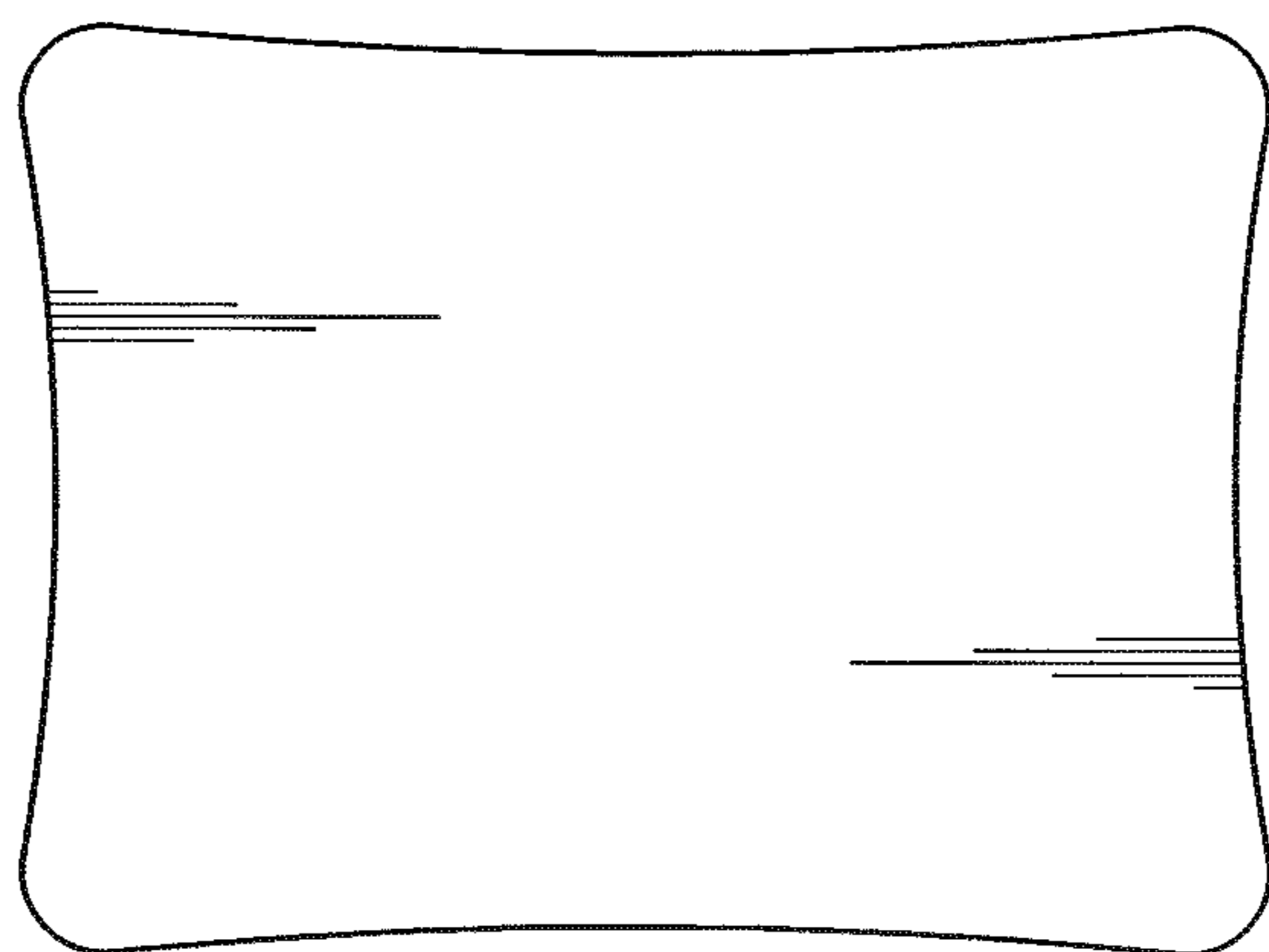


Fig. 24