



US00D722305S

(12) **United States Design Patent**  
**Lee**

(10) **Patent No.:** **US D722,305 S**  
(45) **Date of Patent:** **\*\* Feb. 10, 2015**

(54) **ELECTRONIC DEVICES HOLDER**

(71) Applicant: **Jung-Hui Tsao**, Sanchong Dist., New Taipei (TW)

(72) Inventor: **Chris Lee**, New Taipei (TW)

(73) Assignee: **Jung-Hui Tsao**, New Taipei (TW)

(\*\*) Term: **14 Years**

(21) Appl. No.: **29/481,571**

(22) Filed: **Feb. 7, 2014**

(51) **LOC (10) Cl.** ..... **14-03**

(52) **U.S. Cl.**  
USPC ..... **D14/217; D14/251**

(58) **Field of Classification Search**  
USPC ..... D14/142, 149, 155, 157, 188, 189,  
D14/191-193, 203.1-203.8, 238.1, 251,  
D14/253, 432-435.1, 447, 451, 474,  
D14/480.1-480.7, 496; D13/107, 108, 118;  
D3/218; 248/221.11, 309.1; 320/107,  
320/110, 113-115; 361/600; 439/529, 534;  
455/556.1-556.2, 557; D19/24, 34.3,  
D19/75, 94

See application file for complete search history.

(56) **References Cited**

U.S. PATENT DOCUMENTS

D160,203 S *	9/1950	Philippe .....	D11/67
D557,259 S *	12/2007	Hirsch .....	D14/217
D592,188 S *	5/2009	Huang .....	D14/217
D626,959 S *	11/2010	Chiu .....	D14/371
D649,153 S *	11/2011	Symons .....	D14/447
D673,568 S *	1/2013	Yang .....	D14/434
D674,805 S *	1/2013	Vincent .....	D14/447
D695,817 S *	12/2013	Raccah et al. ....	D16/242
D703,673 S *	4/2014	Kittlaus .....	D14/447

\* cited by examiner

*Primary Examiner* — Keli L Hill

(74) *Attorney, Agent, or Firm* — Jackson IPG PLLC

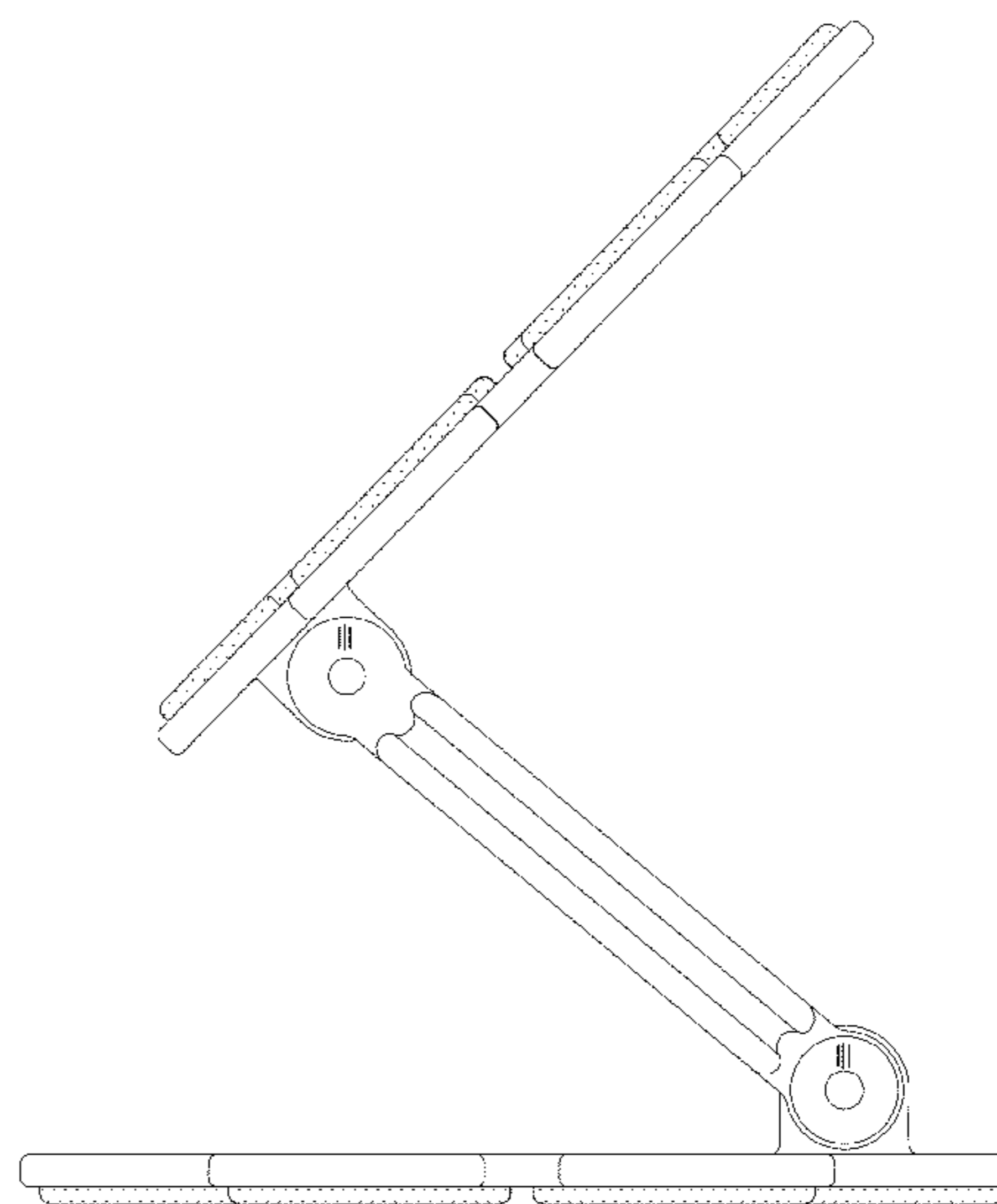
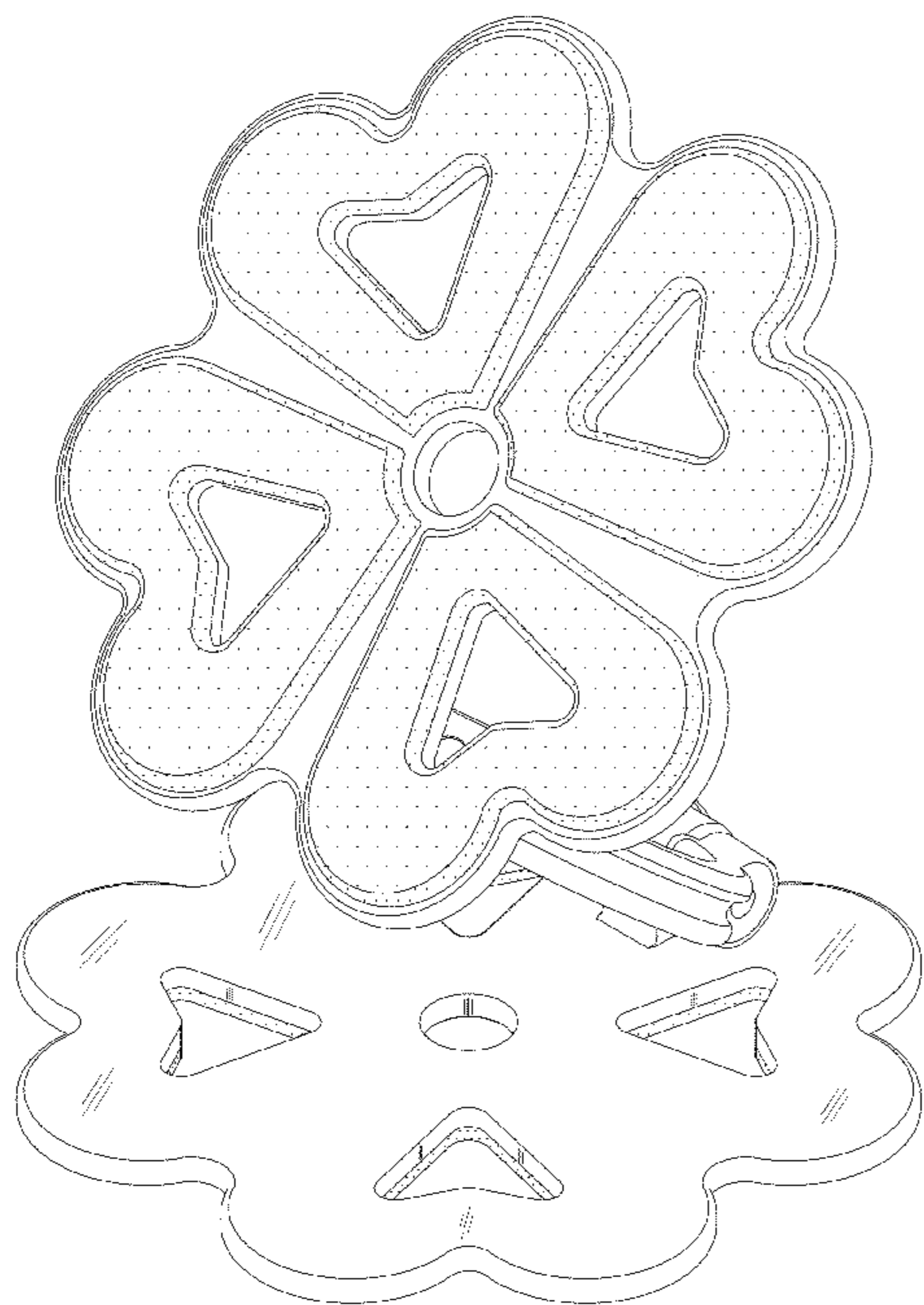
(57) **CLAIM**

The ornamental design for electronic devices holder, as shown and described.

**DESCRIPTION**

FIG. 1 is a front perspective view of a electronic devices holder showing my new design;  
FIG. 2 is a front elevational view thereof;  
FIG. 3 is a top plan view thereof;  
FIG. 4 is a bottom plan view thereof;  
FIG. 5 is a left side elevational view thereof;  
FIG. 6 is a right side elevational view thereof;  
FIG. 7 is a perspective view from other view; and,  
FIG. 8 is another perspective view from other view.

**1 Claim, 8 Drawing Sheets**



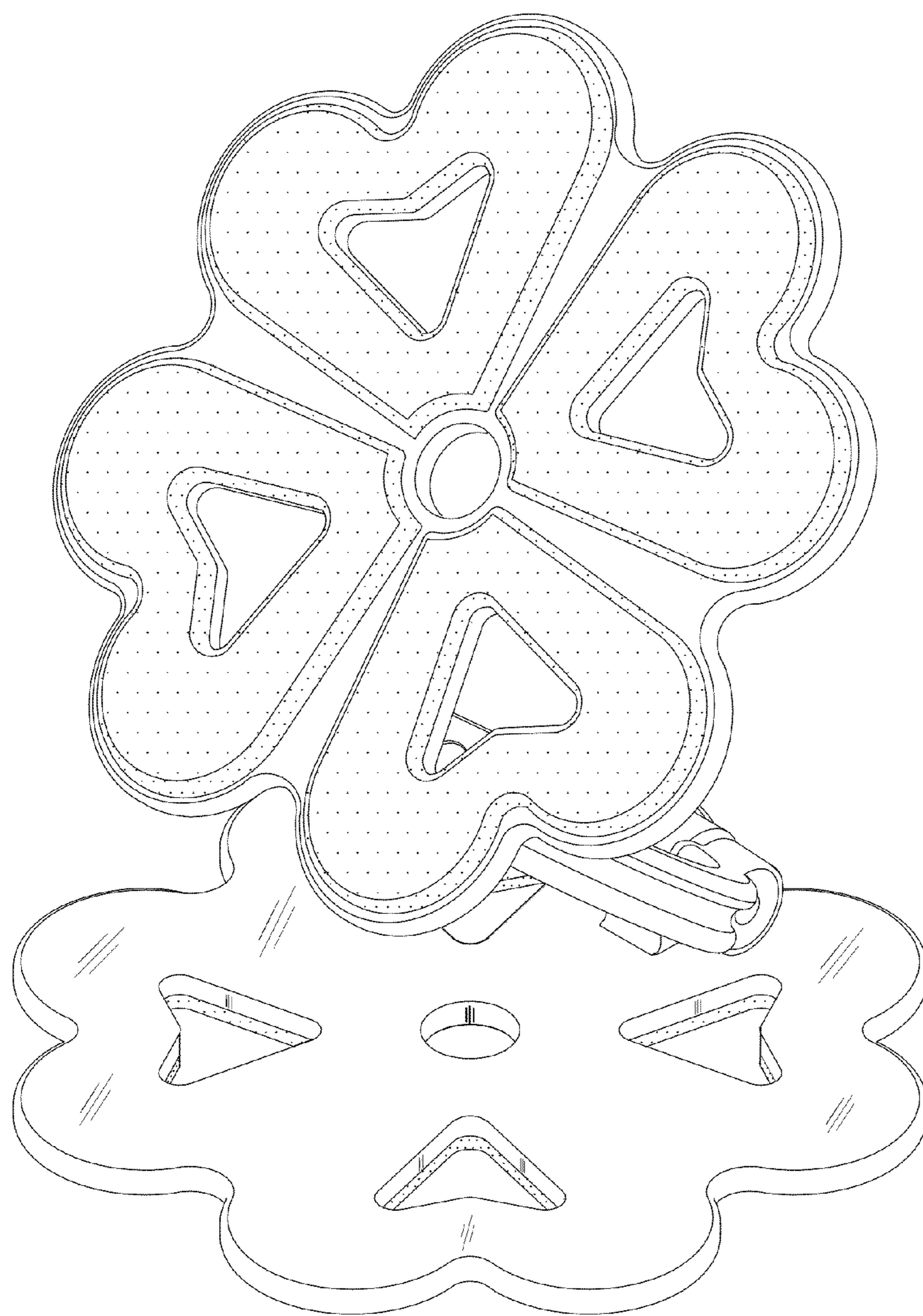


Fig. 1

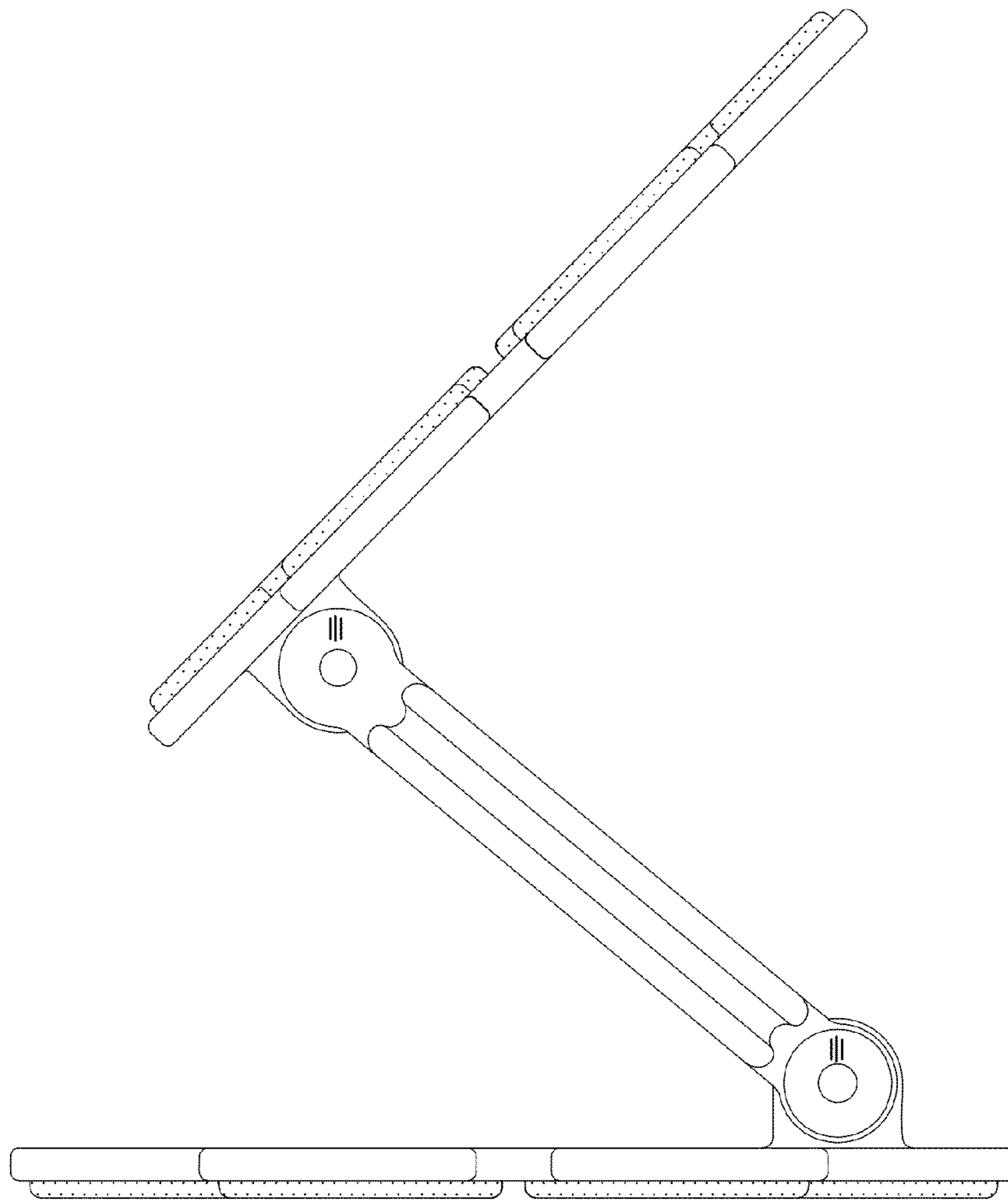


Fig. 2

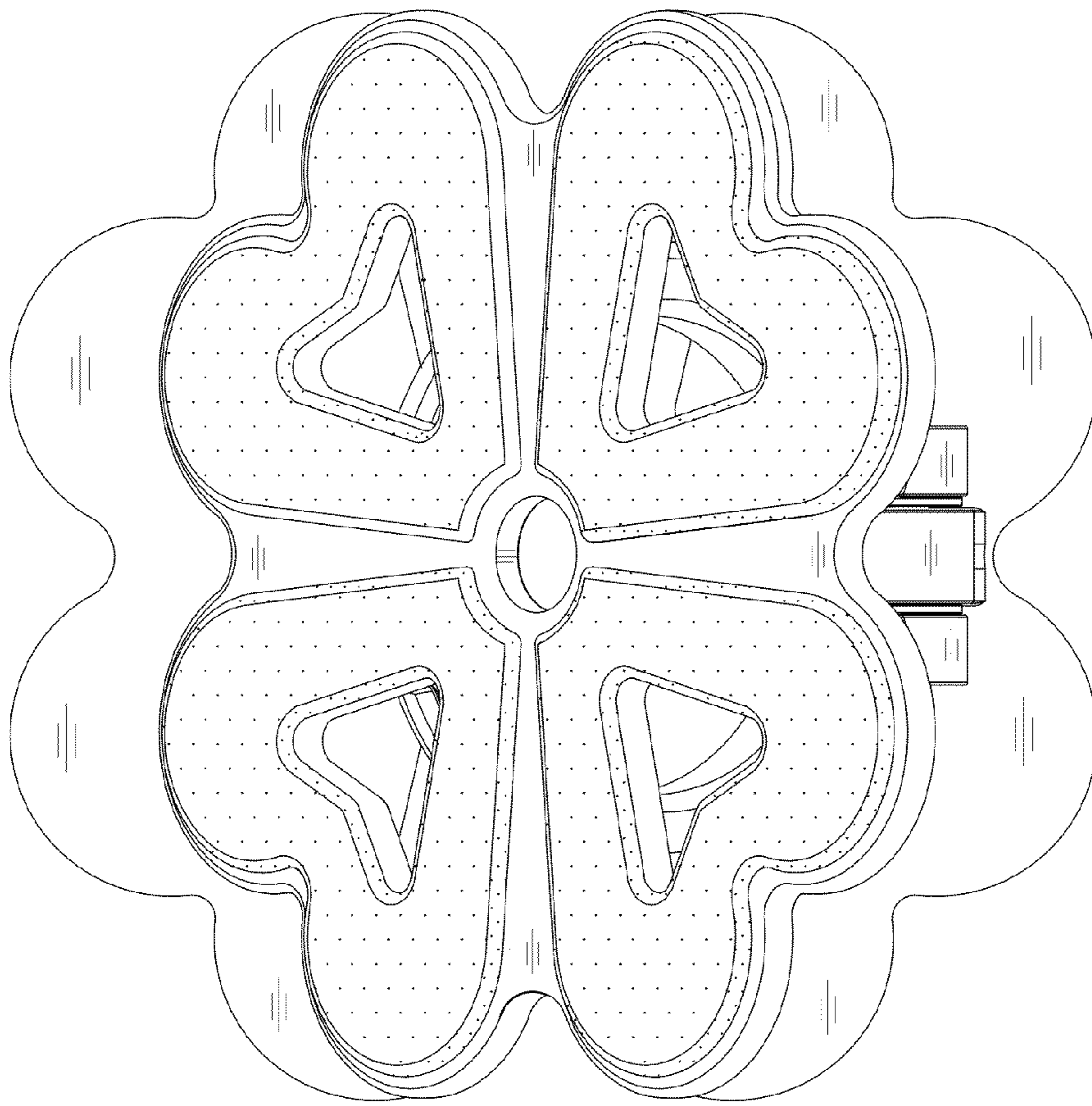


Fig. 3

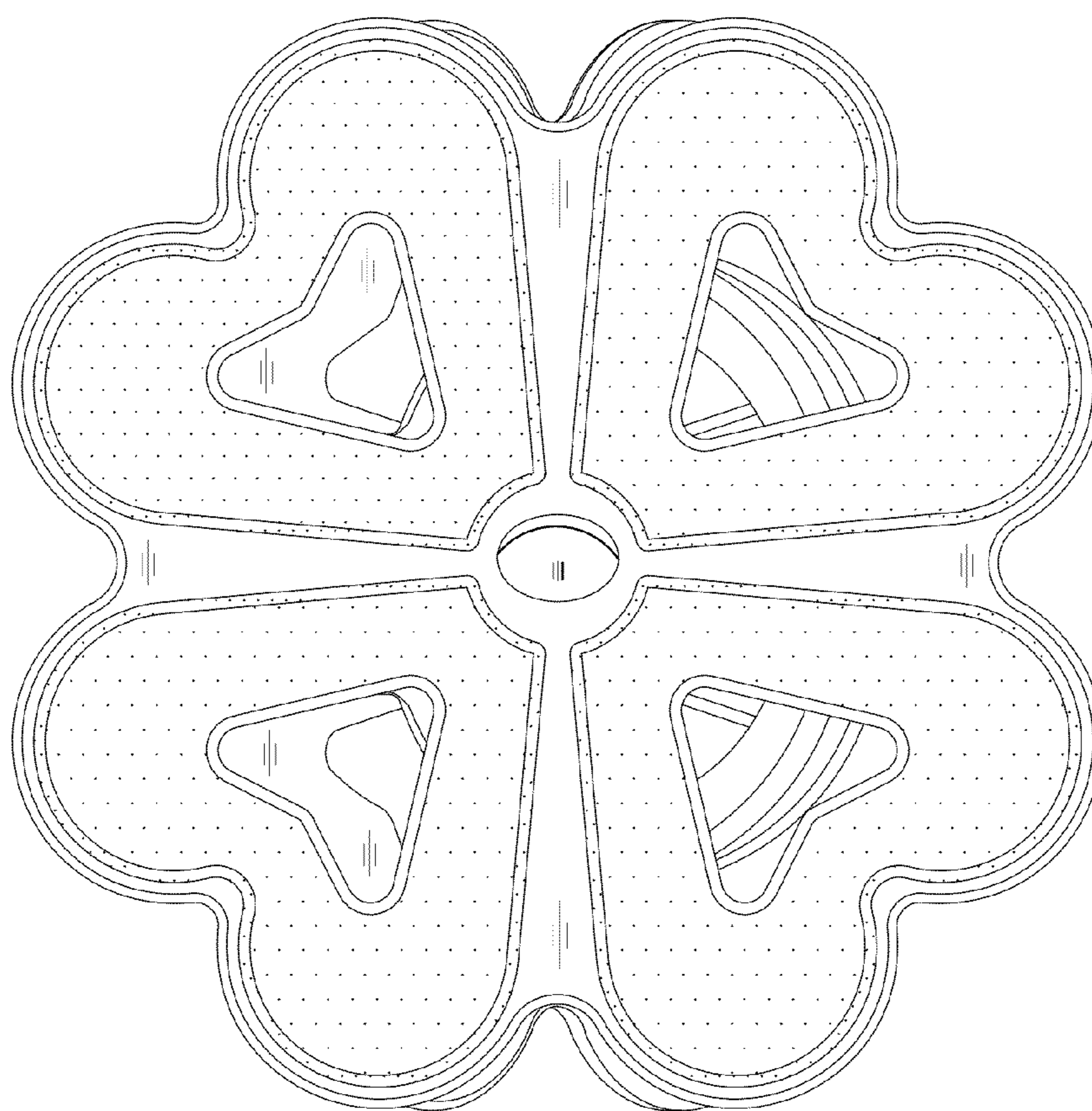


Fig. 4

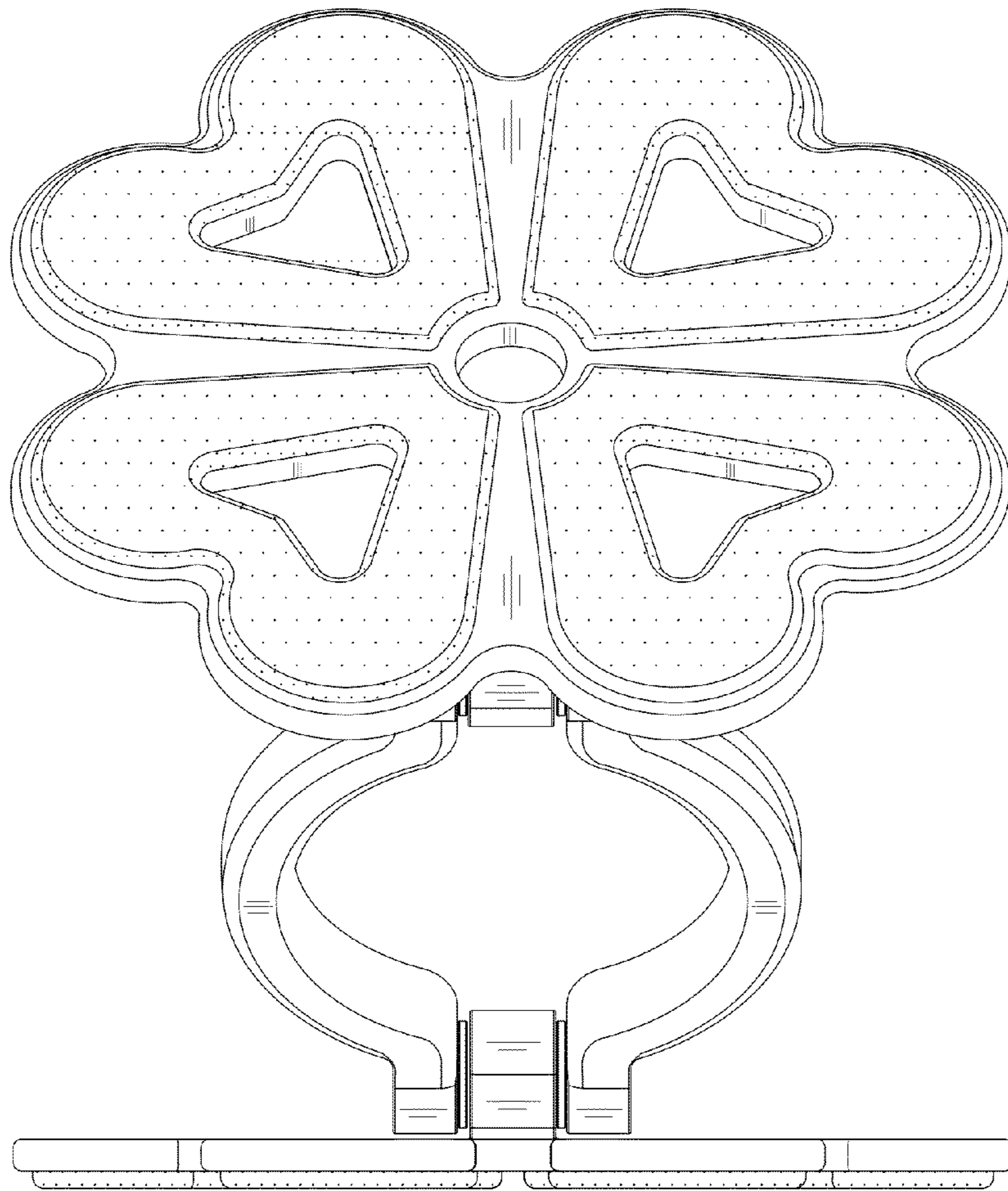


Fig. 5

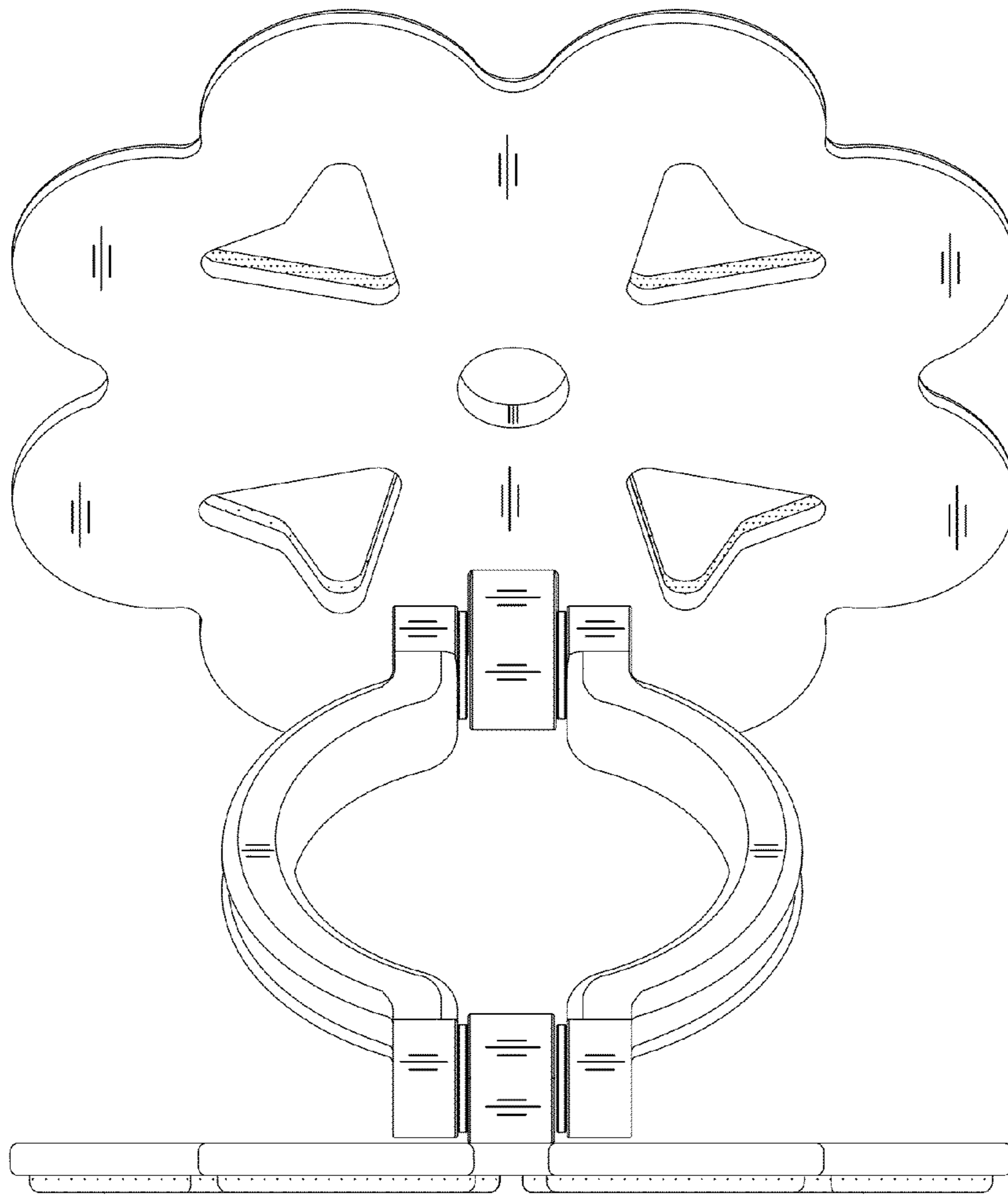


Fig. 6

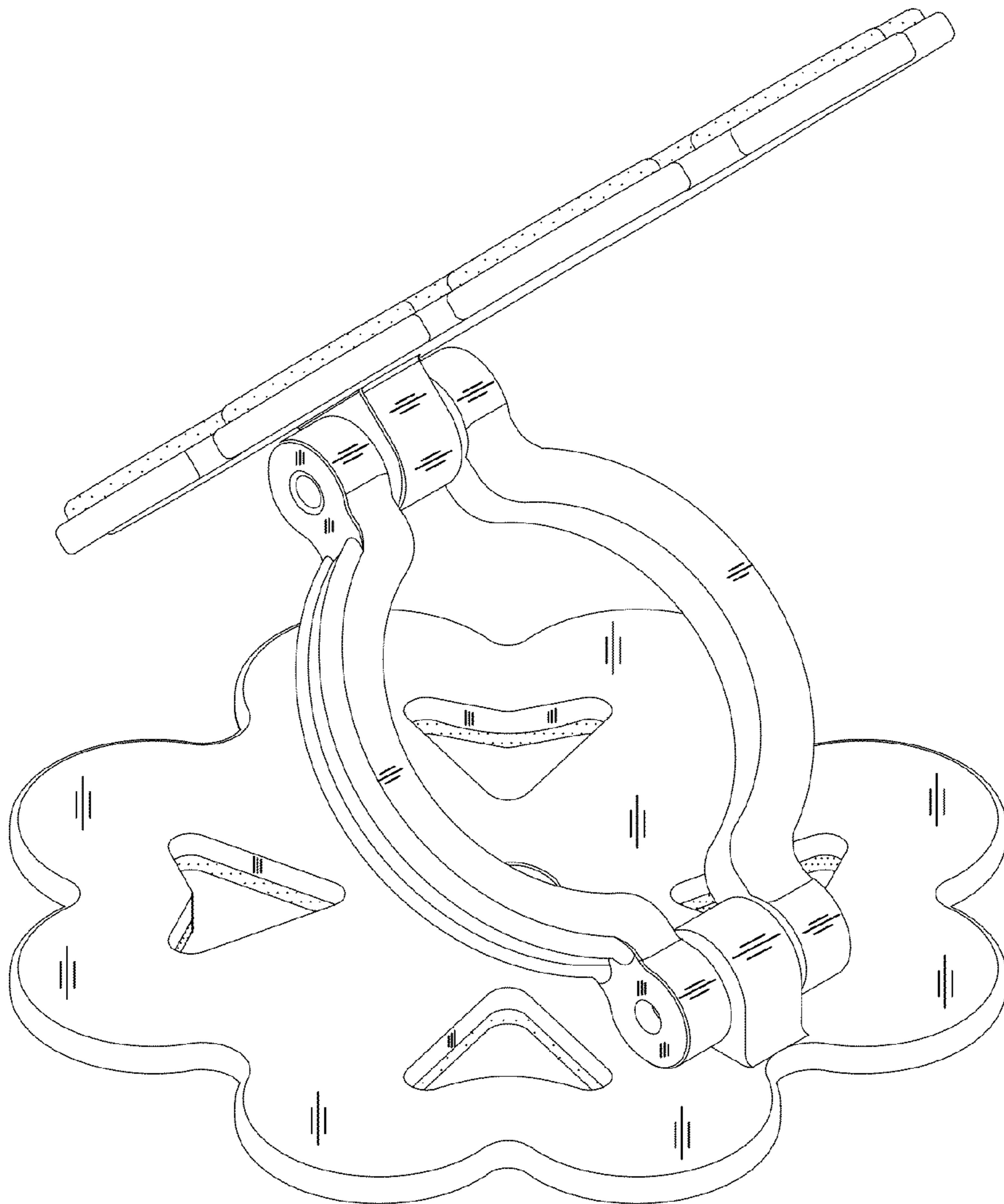


Fig. 7



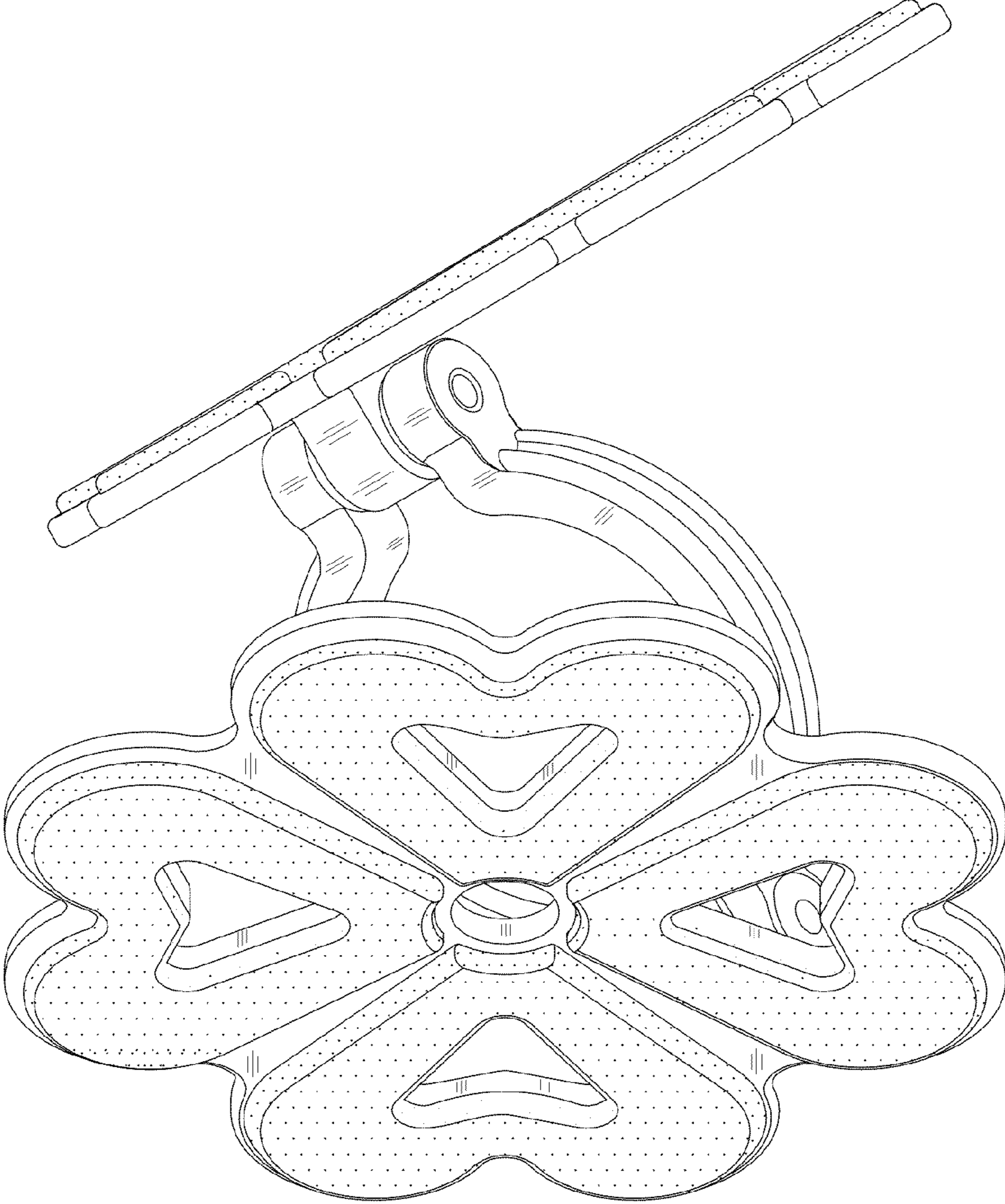


Fig. 8