

US00D722302S

(12) **United States Design Patent**  
**Lee et al.**

(10) **Patent No.:** **US D722,302 S**

(45) **Date of Patent:** **\*\* \*Feb. 10, 2015**

(54) **HEADPHONES**

(75) Inventors: **Noel Lee**, Las Vegas, NV (US);  
**Kendrew Lee**, Tsing Yi (HK); **Sin Yee Fung**, Hong Kong (CN)

(73) Assignee: **Monster LLC**, Las Vegas, NV (US)

(\*) Notice: This patent is subject to a terminal disclaimer.

(\*\*) Term: **14 Years**

(21) Appl. No.: **29/407,028**

(22) Filed: **Nov. 22, 2011**

(51) **LOC (10) Cl.** ..... **14-01**

(52) **U.S. Cl.**  
USPC ..... **D14/205**

(58) **Field of Classification Search**  
CPC ..... H04R 1/1066  
USPC ..... D14/205; D29/112; 2/209; 181/129,  
181/130, 135; 379/430, 431; 381/380, 381,  
381/370, 371, 378; 455/90.3, 575.1  
See application file for complete search history.

(56) **References Cited**

**U.S. PATENT DOCUMENTS**

D484,485 S	*	12/2003	Matsuoka	.....	D14/205
D552,077 S	*	10/2007	Brunner et al.	.....	D14/205
D594,441 S		6/2009	Lee et al.		
D598,901 S		8/2009	Lee et al.		
D599,781 S		9/2009	Lee et al.		
D600,675 S		9/2009	Lee et al.		

D616,865 S	*	6/2010	Marchand et al.	.....	D14/205
D637,176 S	*	5/2011	Brunner et al.	.....	D14/205
D637,182 S		5/2011	Lee et al.		
D641,008 S		7/2011	Lee et al.		
D642,163 S		7/2011	Lee et al.		
D643,417 S		8/2011	Lee et al.		
D643,418 S		8/2011	Lee et al.		
D643,833 S		8/2011	Lee et al.		
D657,344 S	*	4/2012	Brunner et al.	.....	D14/205
D671,914 S	*	12/2012	Lee et al.	.....	D14/205
D673,519 S	*	1/2013	Tan	.....	D14/205
D677,242 S	*	3/2013	Lee et al.	.....	D14/205
D677,647 S	*	3/2013	Lee et al.	.....	D14/205
D689,843 S	*	9/2013	Lee	.....	D14/205
D691,579 S	*	10/2013	Lee et al.	.....	D14/205
D696,643 S	*	12/2013	Lee et al.	.....	D14/205
2013/0083955 A1	*	4/2013	Miyazawa	.....	381/378

\* cited by examiner

*Primary Examiner* — Paula Greene

(74) *Attorney, Agent, or Firm* — Sentinel IP; John Nielsen

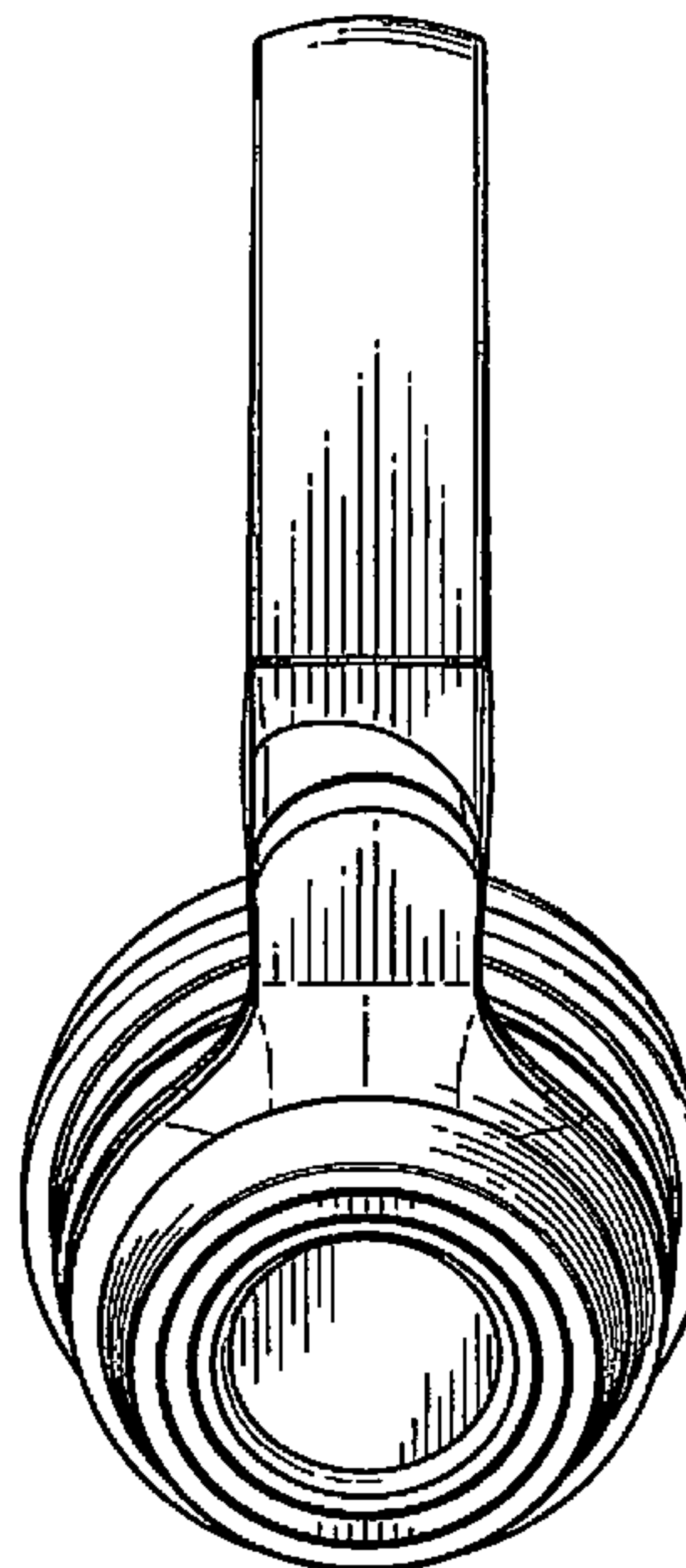
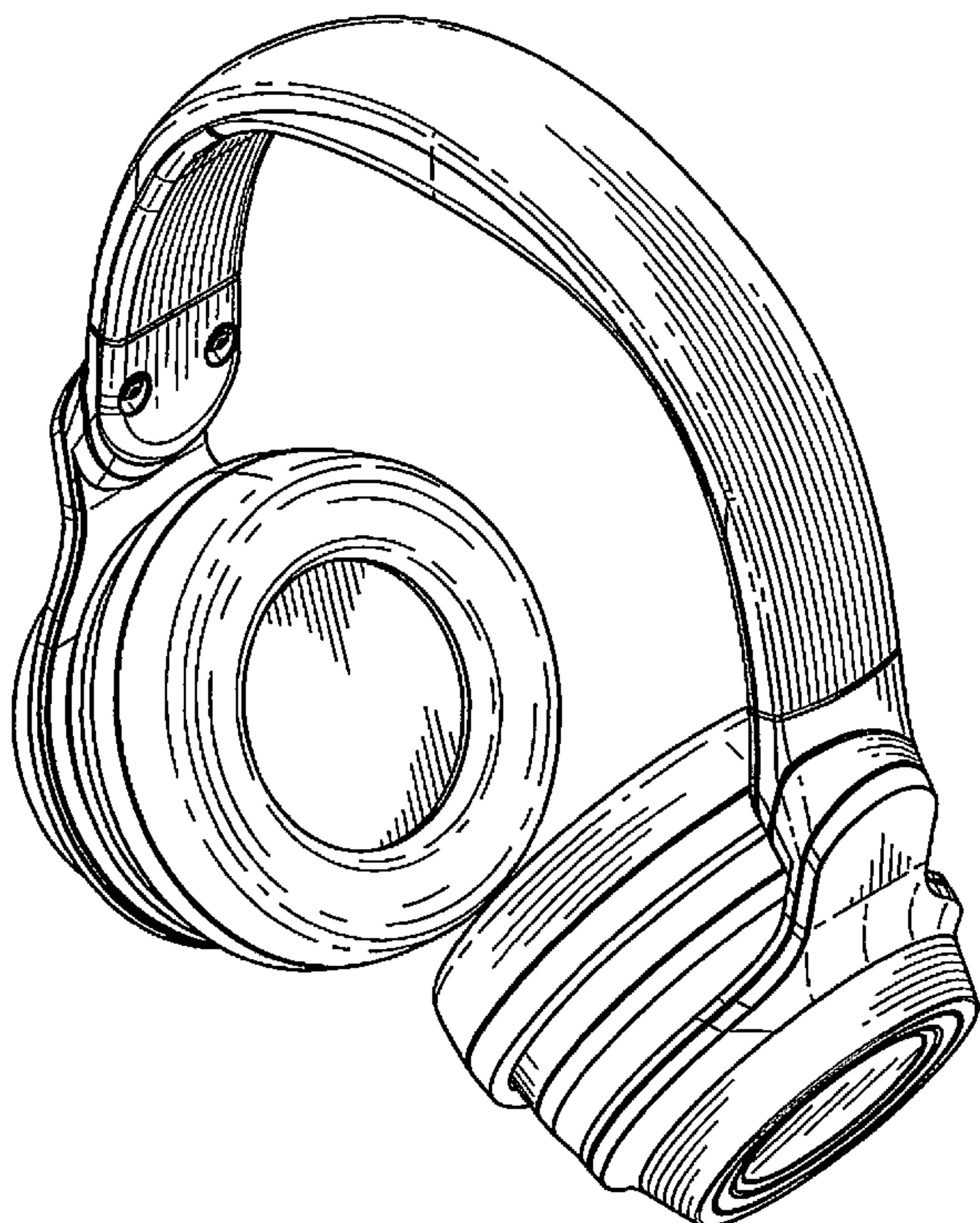
(57) **CLAIM**

The ornamental design for headphones, as shown and described.

**DESCRIPTION**

FIG. 1 is a perspective view of the headphones, showing our design, the opposite perspective view is a mirror image;  
FIG. 2 is a front view thereof;  
FIG. 3 is a rear view thereof;  
FIG. 4 is a side view thereof;  
FIG. 5 is an opposing side view thereof;  
FIG. 6 is a top view thereof; and,  
FIG. 7 is a bottom view thereof.

**1 Claim, 5 Drawing Sheets**



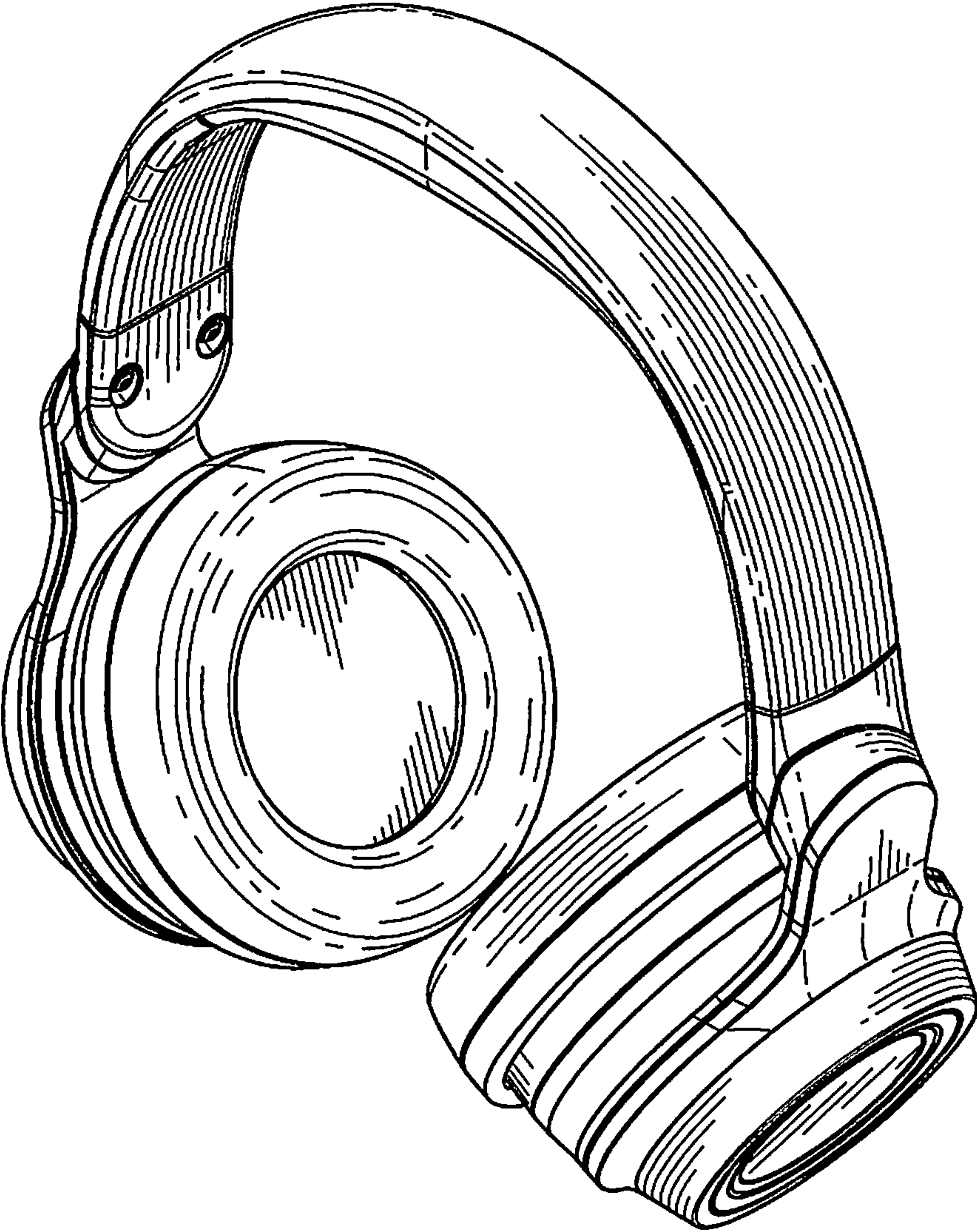


FIG. 1



FIG. 2





FIG. 3

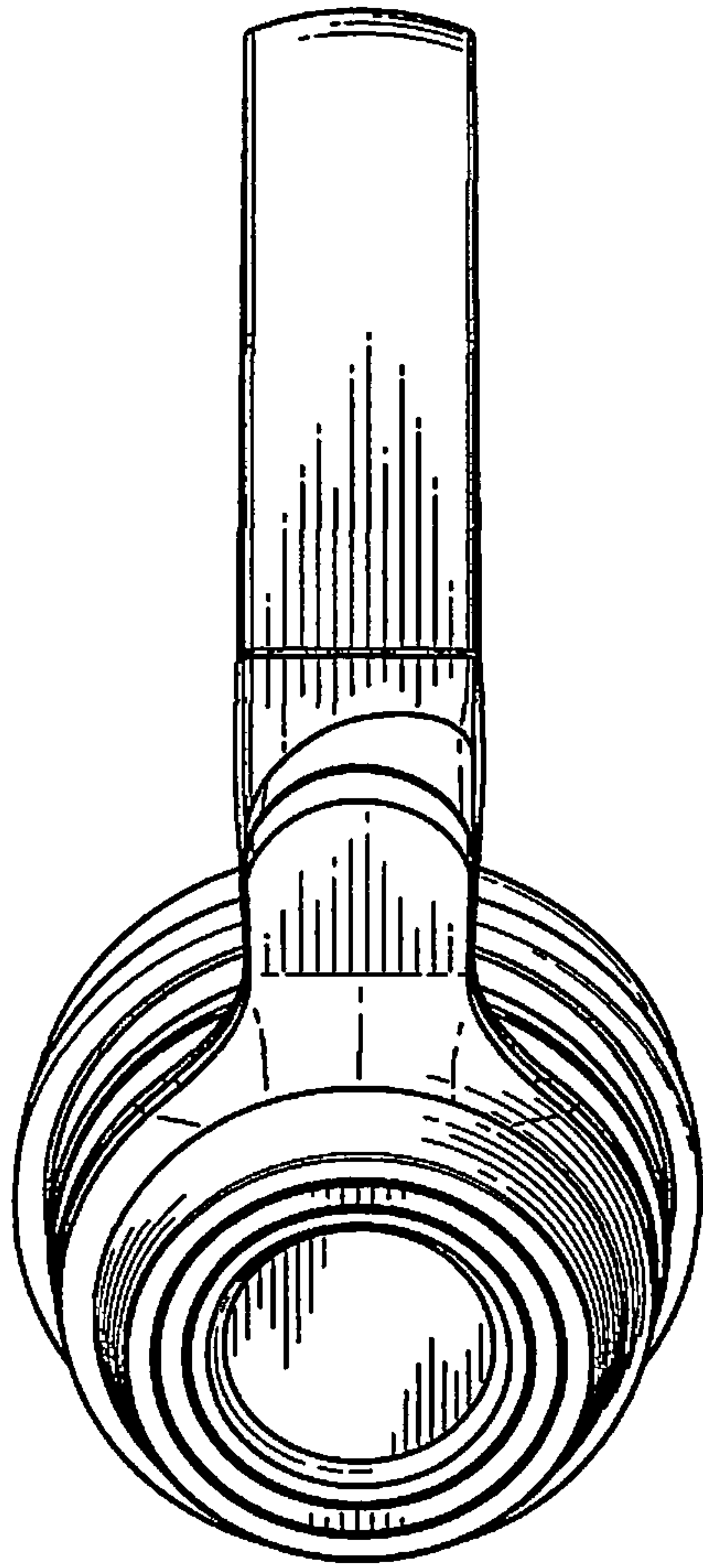


FIG. 4

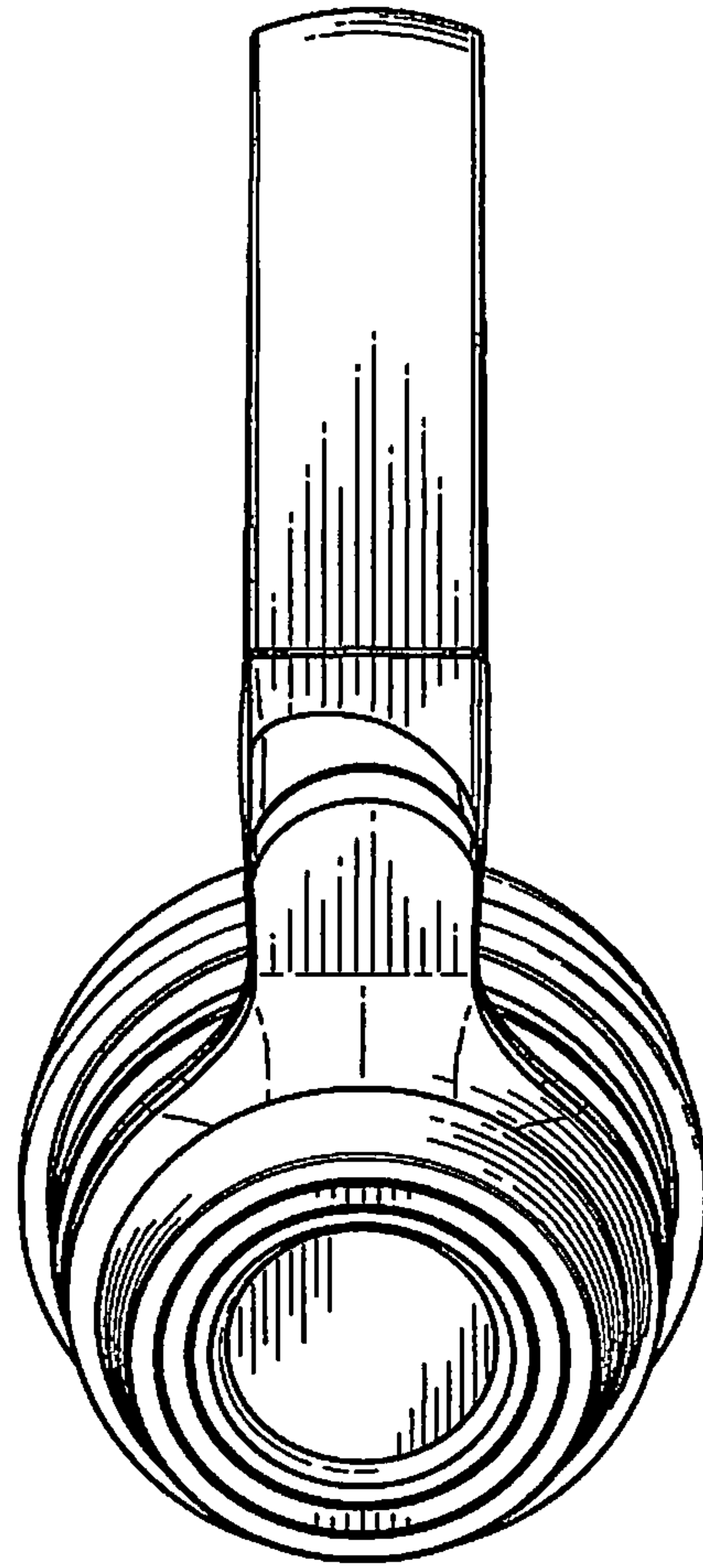


FIG. 5

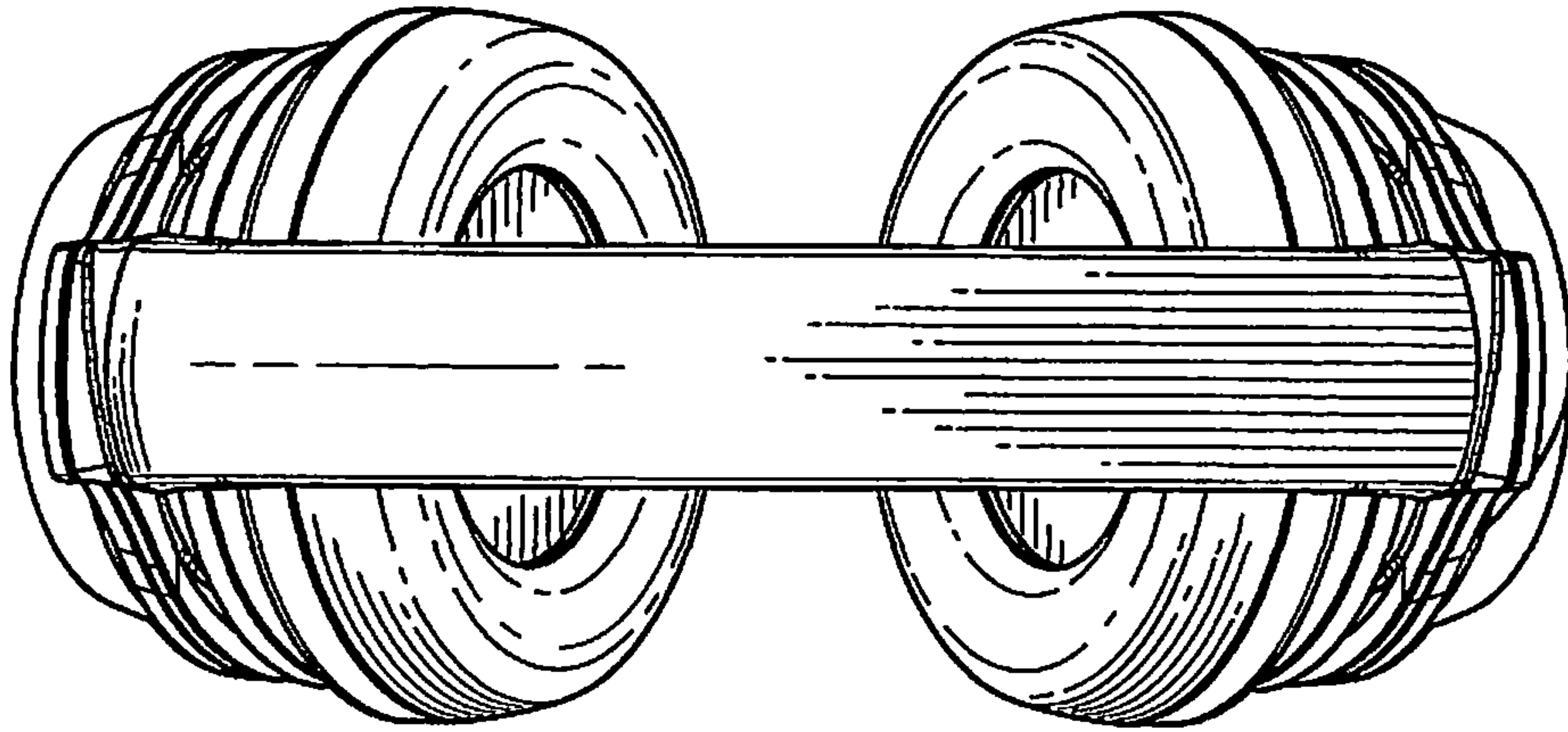


FIG. 6

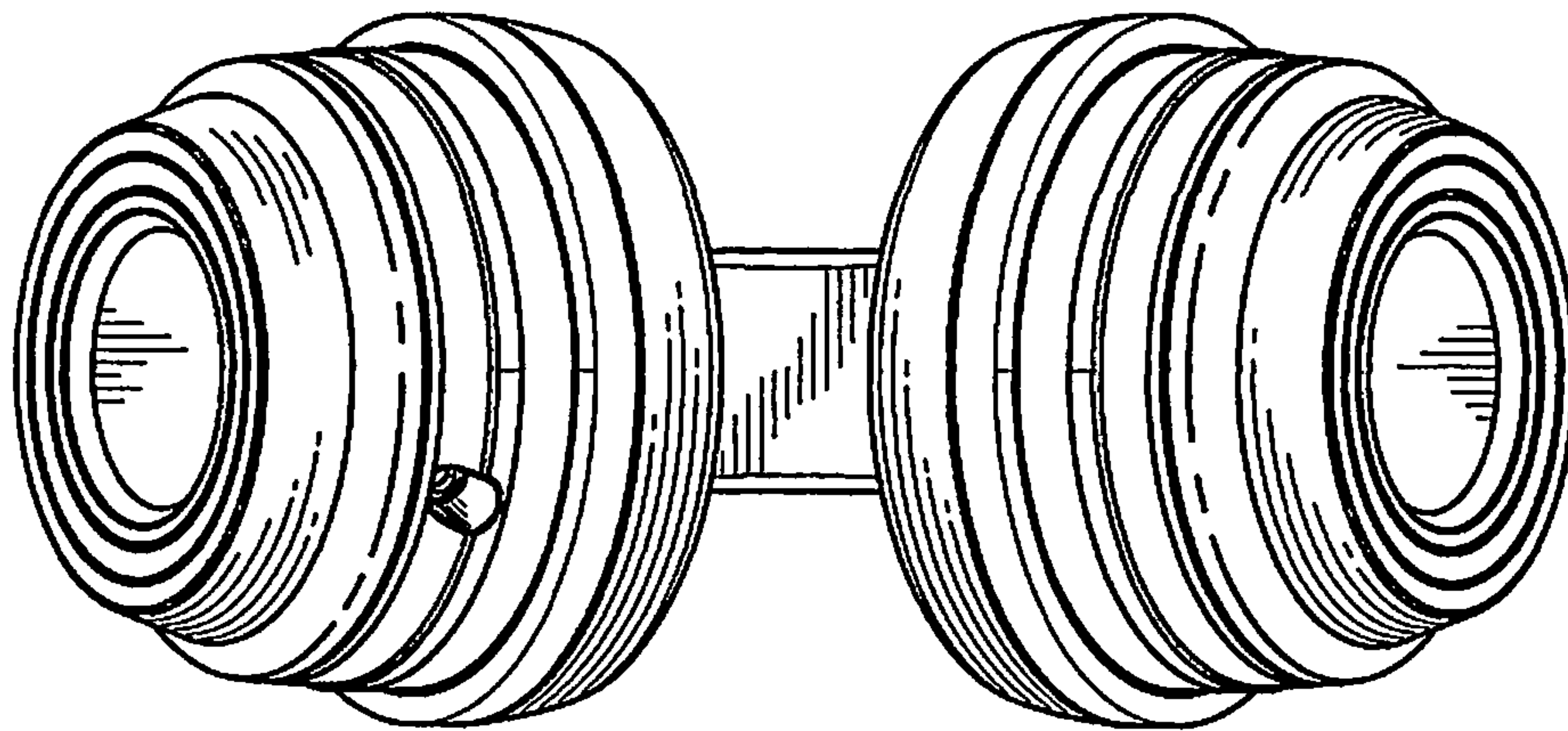


FIG. 7