

US00D722301S

(12) **United States Design Patent**
Crippa

(10) **Patent No.:** **US D722,301 S**

(45) **Date of Patent:** **** Feb. 10, 2015**

(54) **INTERCOM**

(71) Applicant: **AmRoad Technology Inc.**, New Taipei (TW)

(72) Inventor: **Mario Crippa**, New Taipei (TW)

(73) Assignee: **AmRoad Technology Inc.** (TW)

(**) Term: **14 Years**

(21) Appl. No.: **29/506,323**

(22) Filed: **Oct. 15, 2014**

(51) **LOC (10) Cl.** **14-03**

(52) **U.S. Cl.**
USPC **D14/159**

(58) **Field of Classification Search**
USPC D14/167, 154, 168, 188, 496, 156, 160,
D14/161, 162, 163, 164, 165, 158, 253, 192,
D14/159, 155, 138 AB, 137, 104.1; 455/351,
455/350, 353; D10/104, 106, 65, 78;
340/573.4, 573.1

See application file for complete search history.

(56) **References Cited**

U.S. PATENT DOCUMENTS

D394,435 S * 5/1998 Parsadayan et al. D14/159
D500,479 S * 1/2005 Senda et al. D14/130

D509,820 S * 9/2005 Yoshida et al. D14/159
D519,100 S * 4/2006 Shioya et al. D14/159
D520,488 S * 5/2006 Fabrizi D14/159
D525,160 S * 7/2006 Kurata D10/104.1
D534,885 S * 1/2007 Holger D14/130
D535,268 S * 1/2007 Holger D14/130
D561,734 S * 2/2008 Yamada et al. D14/159
D588,574 S * 3/2009 Takahata D14/159
D597,062 S * 7/2009 Lando et al. D14/159
D620,917 S * 8/2010 Hattori et al. D14/159
D707,147 S * 6/2014 Crippa et al. D10/118.2

* cited by examiner

Primary Examiner — Austin Murphy

(74) *Attorney, Agent, or Firm* — Roger H. Chu

(57) **CLAIM**

The ornamental design for an intercom, as shown and described.

DESCRIPTION

FIG. 1 is a perspective view of an intercom showing my new design;

FIG. 2 is a front elevation view thereof;

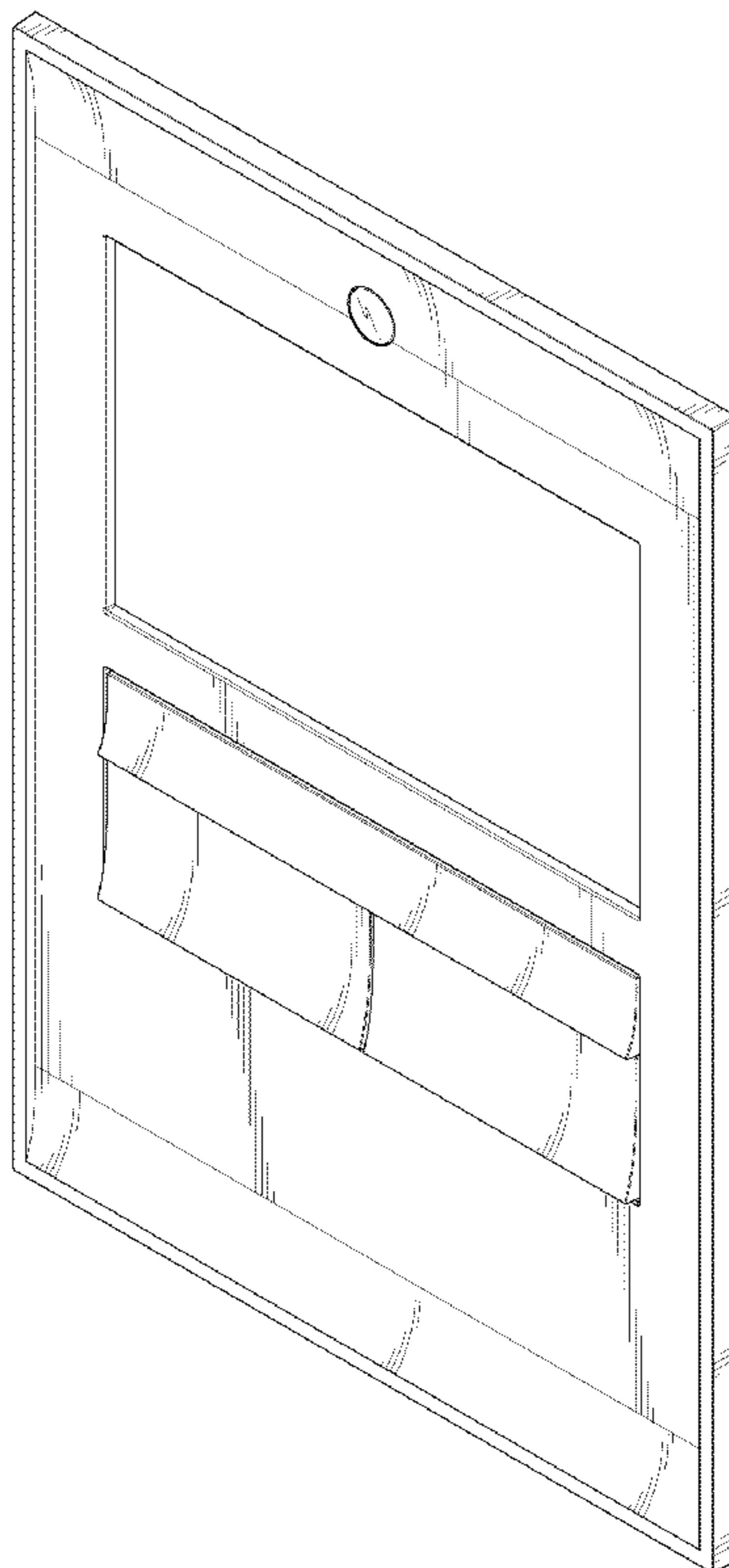
FIG. 3 is a right side elevation view thereof;

FIG. 4 is a left side elevation view thereof;

FIG. 5 is a top plan view thereof; and,

FIG. 6 is a bottom plan view thereof.

1 Claim, 4 Drawing Sheets



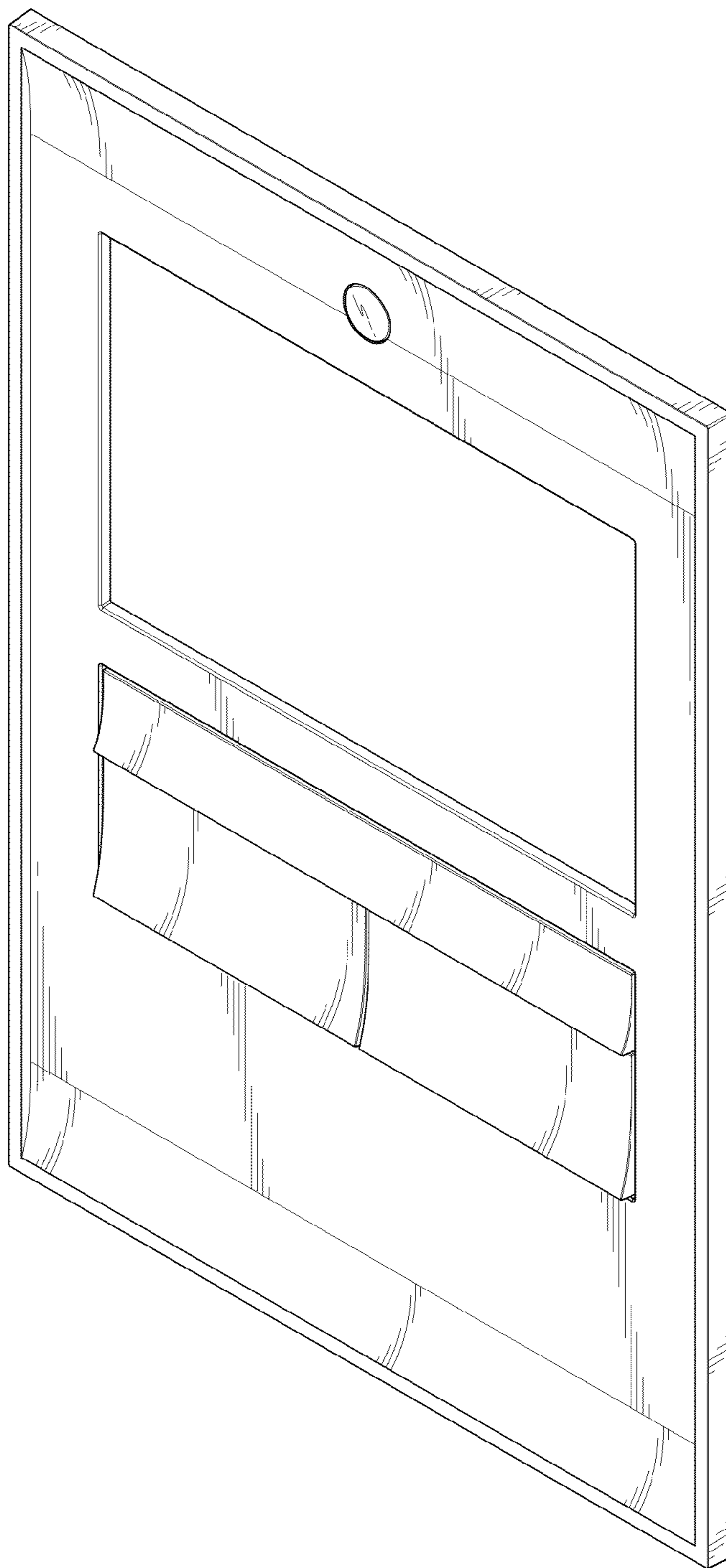


FIG. 1

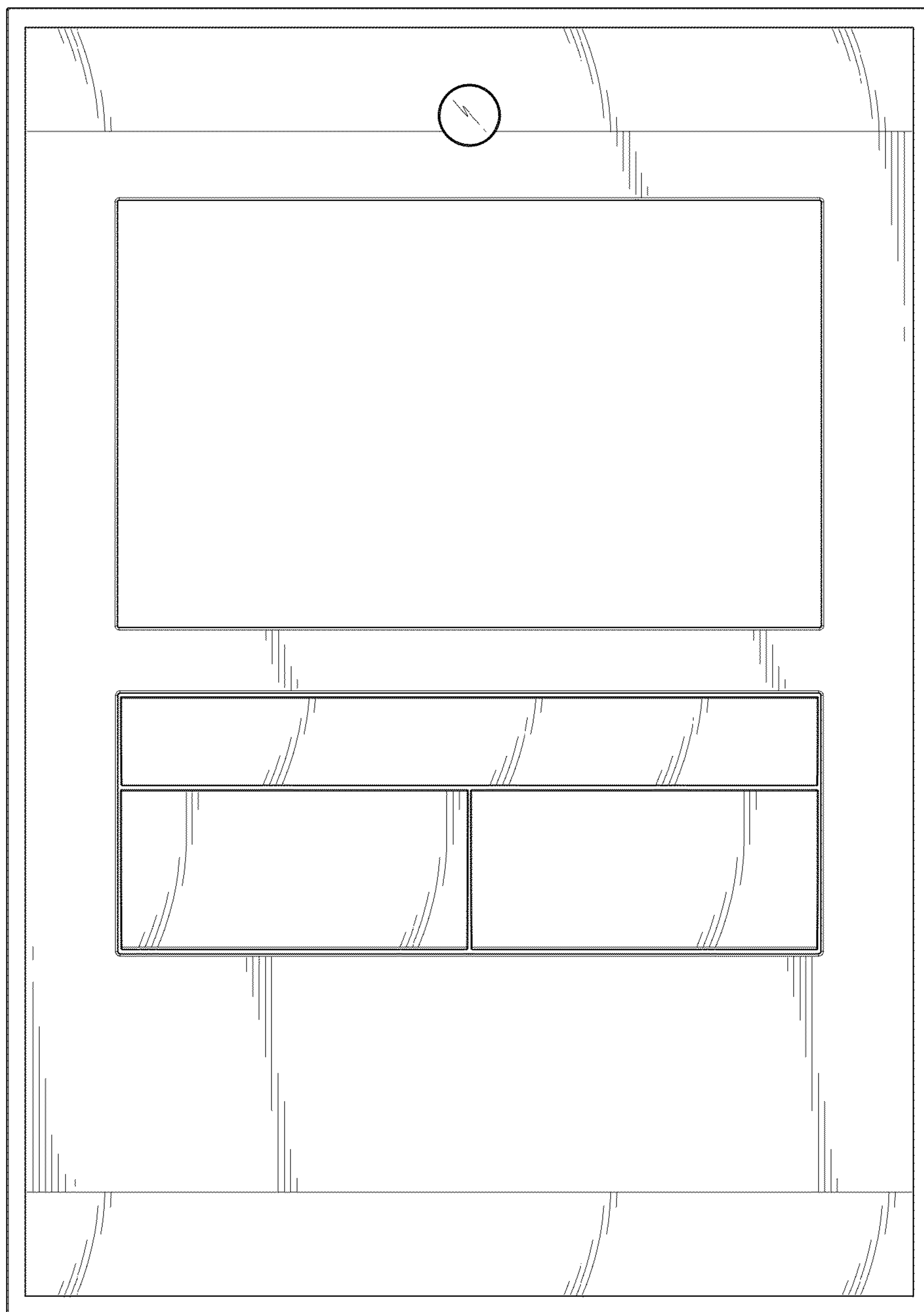


FIG. 2



FIG. 3



FIG. 4



FIG. 5



FIG. 6