



US00D722300S

(12) **United States Design Patent**  
**Won**

(10) **Patent No.:** **US D722,300 S**

(45) **Date of Patent:** **\*\* Feb. 10, 2015**

(54) **TV RECEIVER**

(71) Applicant: **LG Electronics Inc.**, Seoul (KR)

(72) Inventor: **Hyojin Won**, Seoul (KR)

(73) Assignee: **LG Electronics Inc.**, Seoul (KR)

(\*\*) Term: **14 Years**

(21) Appl. No.: **29/476,776**

(22) Filed: **Dec. 17, 2013**

(30) **Foreign Application Priority Data**

Jun. 17, 2013 (KR) ..... 30-2013-0031252

(51) **LOC (10) Cl.** ..... **14-03**

(52) **U.S. Cl.**  
USPC ..... **D14/126**

(58) **Field of Classification Search**  
USPC ..... D14/125-134, 239, 371, 136, 374-377,  
D14/440, 450, 448, 336, 342, 159; 312/7.2;  
348/836, 838, 180, 184, 325, 739;  
341/12; 248/917-924, 465; 345/104,  
345/133, 156, 168, 87, 173; 720/605, 669,  
720/600, 655; 369/99, 197; D6/477, 479,  
D6/300; 273/148 B; 446/484, 175, 356;  
D10/15, 26

See application file for complete search history.

(56) **References Cited**

U.S. PATENT DOCUMENTS

D579,889 S *	11/2008	Noh .....	D14/129
D596,596 S *	7/2009	Honda .....	D14/126
D597,041 S *	7/2009	Cho et al. ....	D14/126
D597,978 S *	8/2009	Won et al. ....	D14/126
D603,816 S *	11/2009	Kim et al. ....	D14/126
D609,658 S *	2/2010	Kim et al. ....	D14/126
D626,924 S *	11/2010	Miyaji .....	D14/126
D634,323 S *	3/2011	Park et al. ....	D14/374
D639,256 S *	6/2011	Lee et al. ....	D14/126
D643,389 S *	8/2011	Lee et al. ....	D14/126
D656,915 S *	4/2012	Hwangbo et al. ....	D14/126
D657,326 S *	4/2012	Kim et al. ....	D14/126
D659,663 S *	5/2012	Xu et al. ....	D14/126

\* cited by examiner

*Primary Examiner* — Randall Gholson

(74) *Attorney, Agent, or Firm* — Morgan, Lewis & Bockius LLP

(57) **CLAIM**

The ornamental design for an TV receiver, as shown and described.

**DESCRIPTION**

FIG. 1 is a front, right side, perspective view of an TV receiver showing our new design;  
FIG. 2 is a front view thereof;  
FIG. 3 is a rear view thereof;  
FIG. 4 is a left side view thereof;  
FIG. 5 is a right side view thereof;  
FIG. 6 is a top view thereof; and,  
FIG. 7 is a bottom view thereof.

**1 Claim, 4 Drawing Sheets**

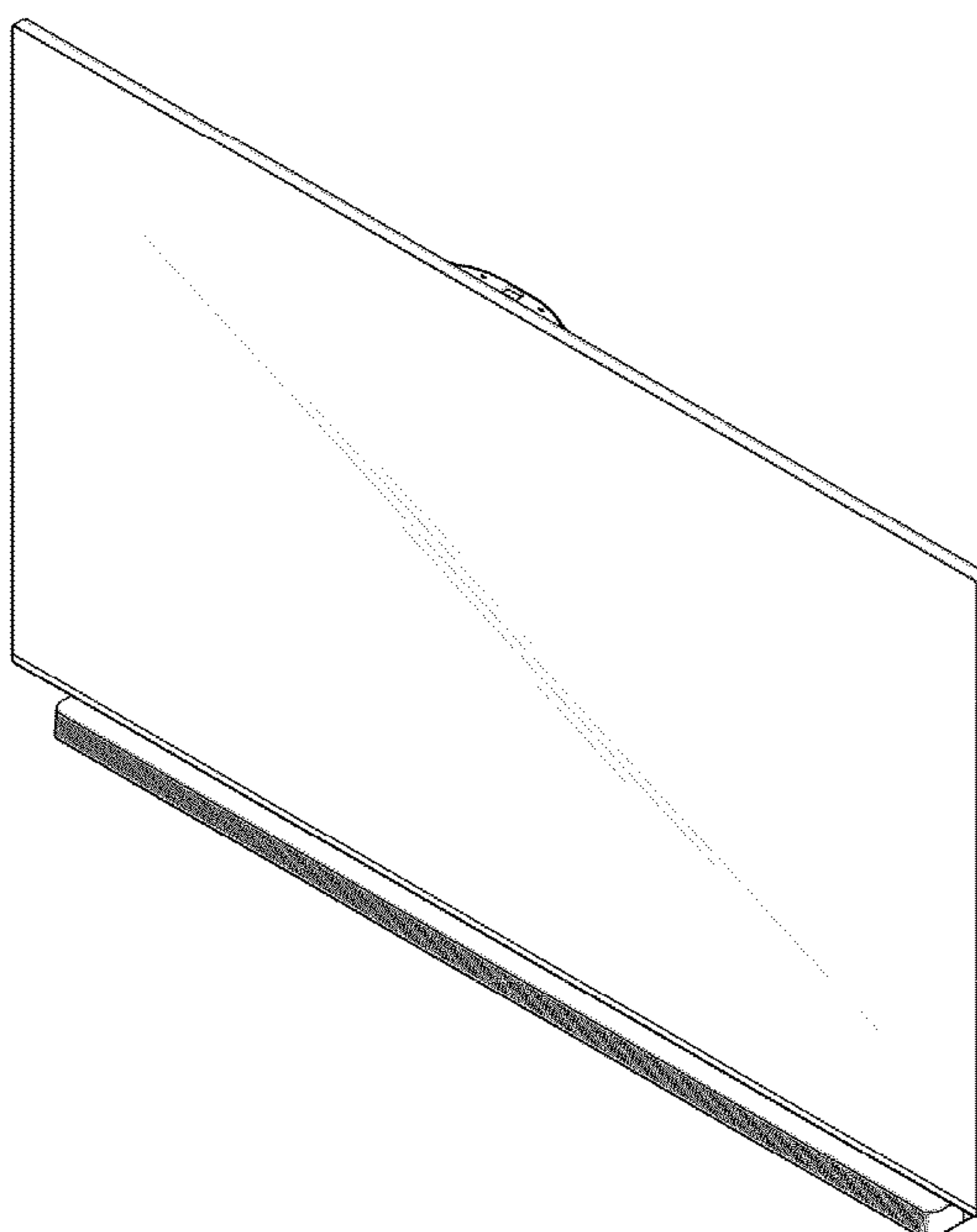


FIG. 1

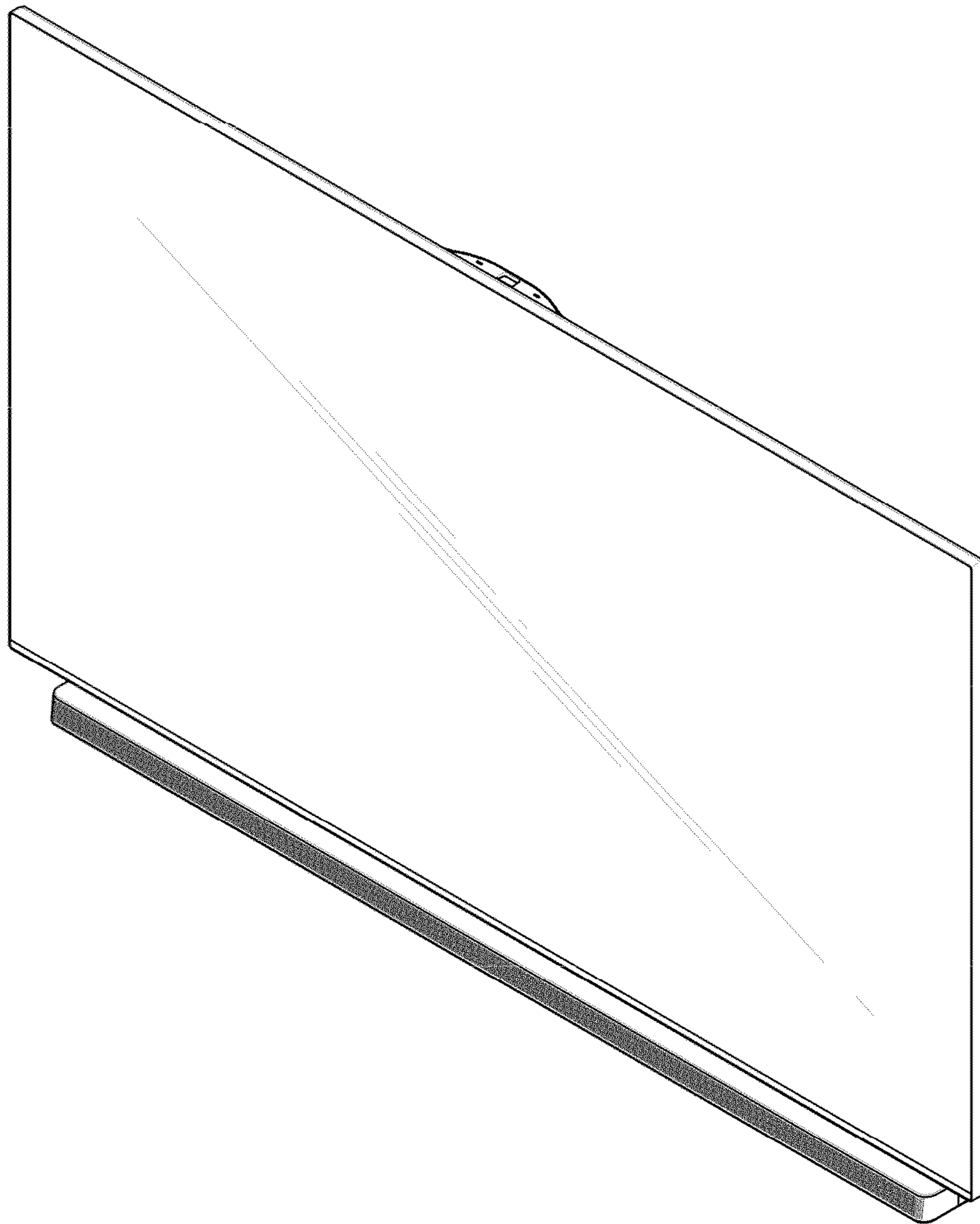


FIG. 2

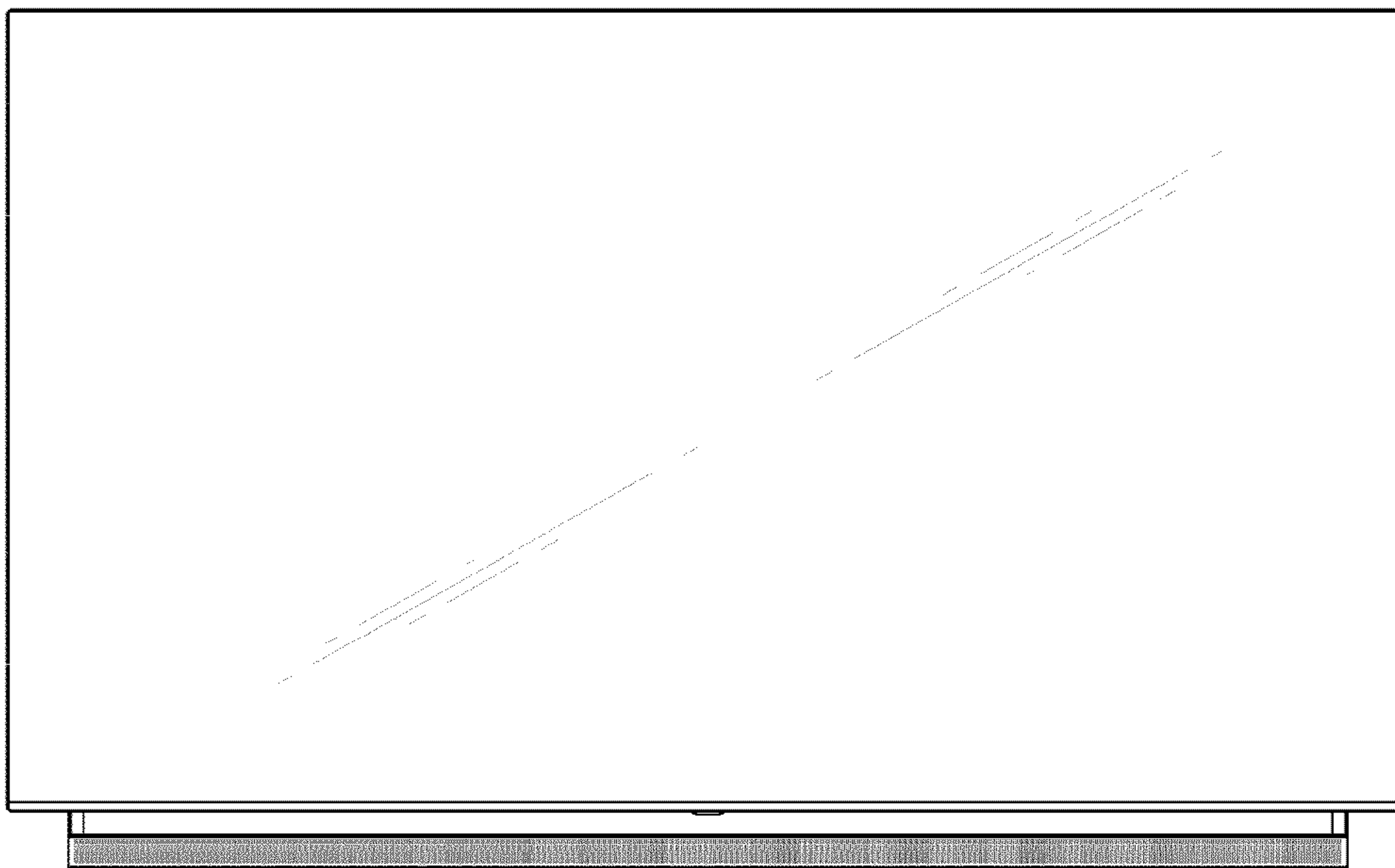


FIG. 3

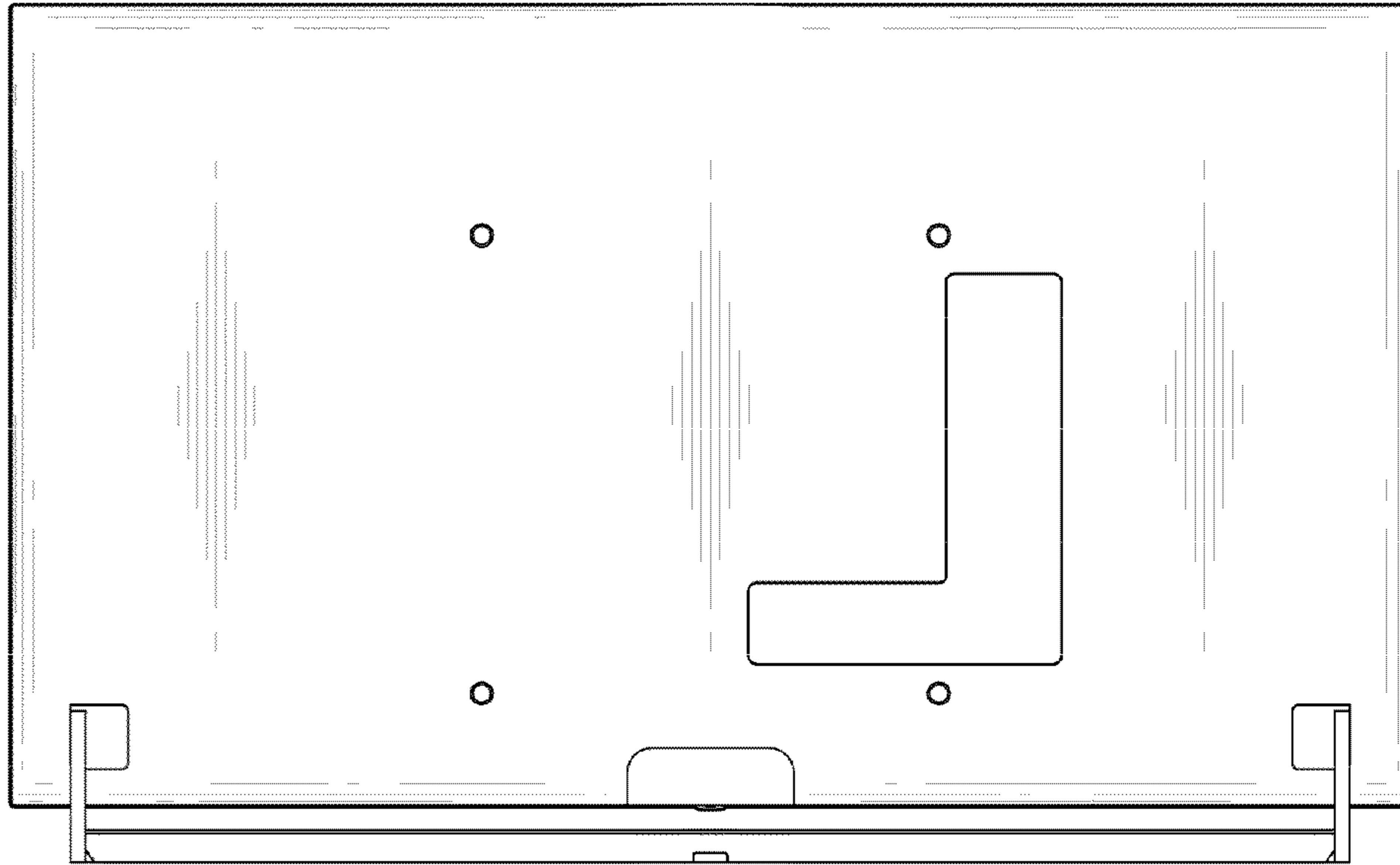


FIG. 4

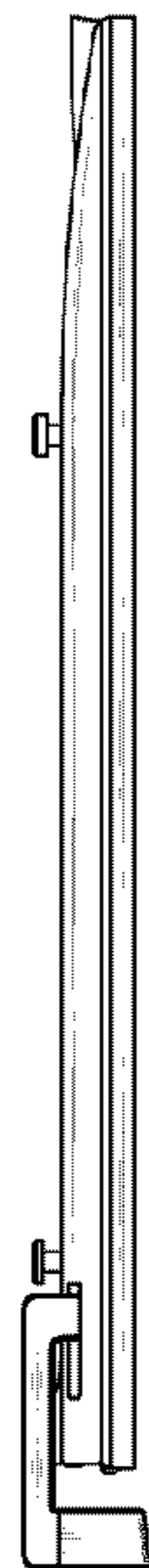


FIG. 5

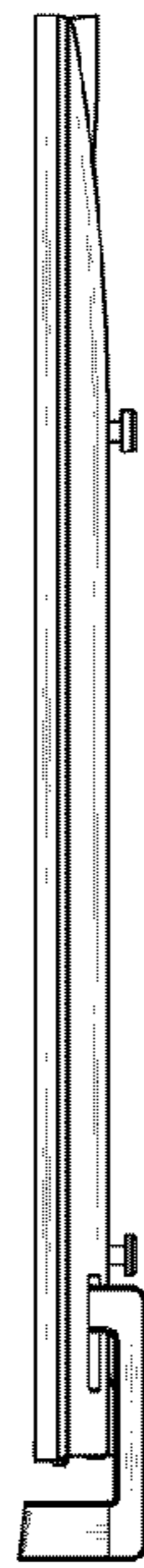


FIG. 6



FIG. 7

