



US00D722298S

(12) **United States Design Patent**
Saito et al.

(10) **Patent No.:** **US D722,298 S**
(45) **Date of Patent:** **** Feb. 10, 2015**

(54) **CHAMBER OF CHARGED PARTICLE BEAM DRAWING APPARATUS**

(71) Applicant: **NuFlare Technology, Inc.**, Yokohama (JP)

(72) Inventors: **Hiroyasu Saito**, Yokohama (JP); **Seiichi Nakazawa**, Yokohama (JP); **Yoshinori Nakagawa**, Numazu (JP)

(73) Assignee: **NuFlare Technology, Inc.**, Yokohama (JP)

(**) Term: **14 Years**

(21) Appl. No.: **29/479,498**

(22) Filed: **Jan. 16, 2014**

(30) **Foreign Application Priority Data**

Jul. 17, 2013 (JP) 2013-016242

(51) **LOC (10) Cl.** **13-03**

(52) **U.S. Cl.**
USPC **D13/182**

(58) **Field of Classification Search**

USPC D13/101, 123, 182; 250/396 R, 396 ML, 250/398, 400, 492.1, 492.2, 492.21, 492.22, 250/492.3; 430/4, 5, 24, 25, 30, 269, 396
See application file for complete search history.

(56) **References Cited**

U.S. PATENT DOCUMENTS

D395,638 S * 6/1998 Koyama et al. D13/182
D396,846 S * 8/1998 Nakayama et al. D13/182
D471,166 S * 3/2003 Oshio et al. D13/182
D505,397 S * 5/2005 Asakawa D13/180
D510,912 S * 10/2005 Asakawa D13/180

7,511,290 B2 * 3/2009 Suzuki et al. 250/492.22
D591,697 S * 5/2009 Andrews et al. D13/182
D592,617 S * 5/2009 Bando D13/180
D593,969 S * 6/2009 Li D13/182
D598,400 S * 8/2009 Bando D13/180
D602,451 S * 10/2009 Gielen D13/180
8,049,190 B2 * 11/2011 Komatsu et al. 250/492.22
D651,184 S * 12/2011 Lai et al. D13/180
8,481,964 B2 * 7/2013 Kato 250/398
D690,443 S * 9/2013 Takehara et al. D26/1
2006/0068301 A1 * 3/2006 Hirukawa 430/5
2007/0187624 A1 * 8/2007 Suzuki et al. 250/492.22
2008/0011965 A1 * 1/2008 Matsukawa et al. 250/398
2008/0121620 A1 * 5/2008 Guo et al. 216/67
2009/0032739 A1 * 2/2009 Kawase 250/492.23
2009/0242788 A1 * 10/2009 Komatsu et al. 250/396 R
2010/0015537 A1 * 1/2010 Emi et al. 430/30

* cited by examiner

Primary Examiner — Elizabeth J Oswecki

(74) *Attorney, Agent, or Firm* — Oblon, Spivak, McClelland, Maier & Neustadt, L.L.P.

(57) **CLAIM**

The ornamental design for a chamber of charged particle beam drawing apparatus, as shown and described.

DESCRIPTION

FIG. 1 is a top perspective view of a chamber of charged particle beam drawing apparatus showing our new design; FIG. 2 is a bottom perspective view thereof; FIG. 3 is a front view thereof; FIG. 4 is a right side view thereof, the left side view being a mirror image; FIG. 5 is a top plan view thereof; FIG. 6 is a bottom plan view thereof; FIG. 7 is a cross sectional view taken along line 7-7 in FIG. 3; and, FIG. 8 is a cross sectional view taken along line 8-8 in FIG. 3.

1 Claim, 4 Drawing Sheets

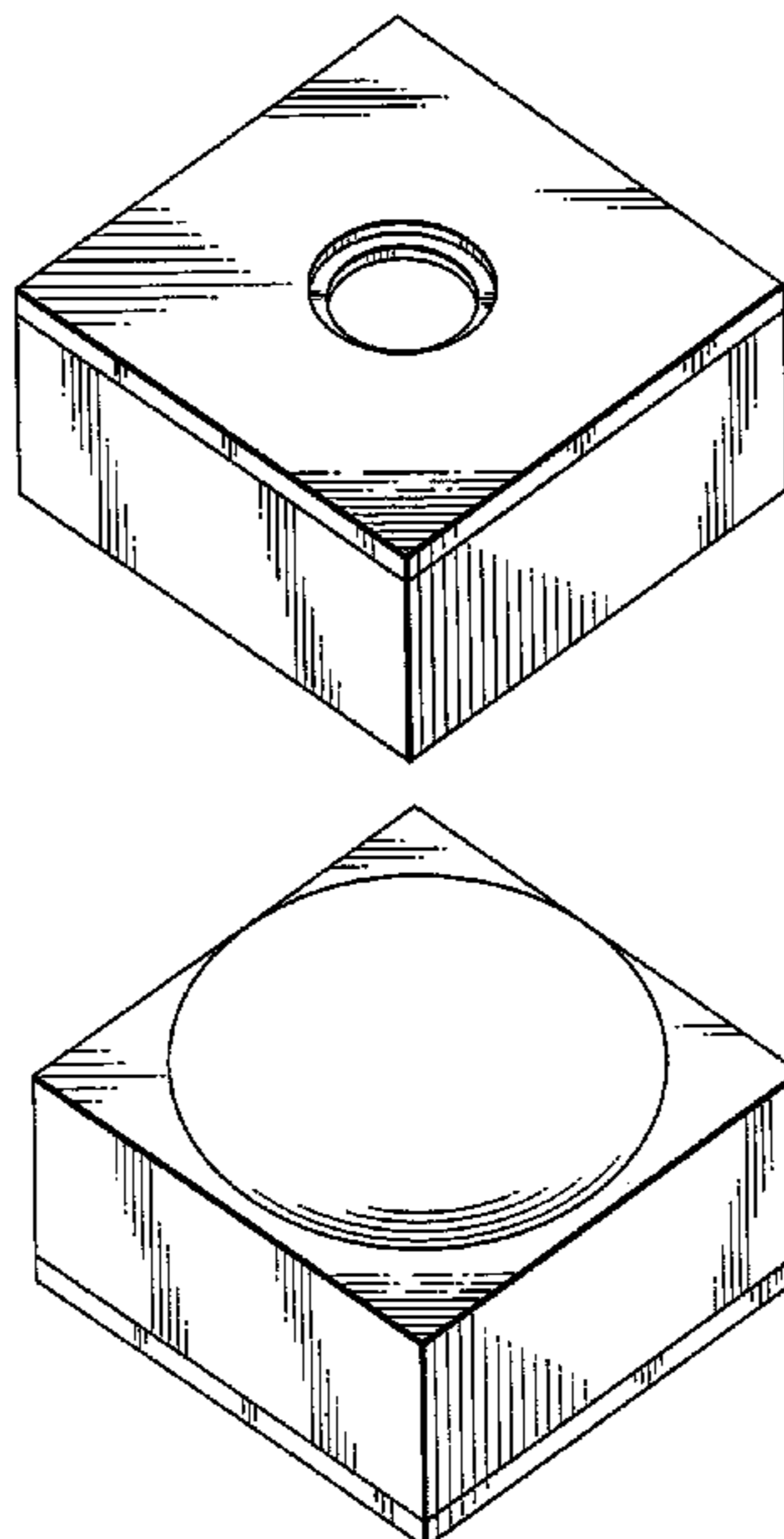


FIG. 1

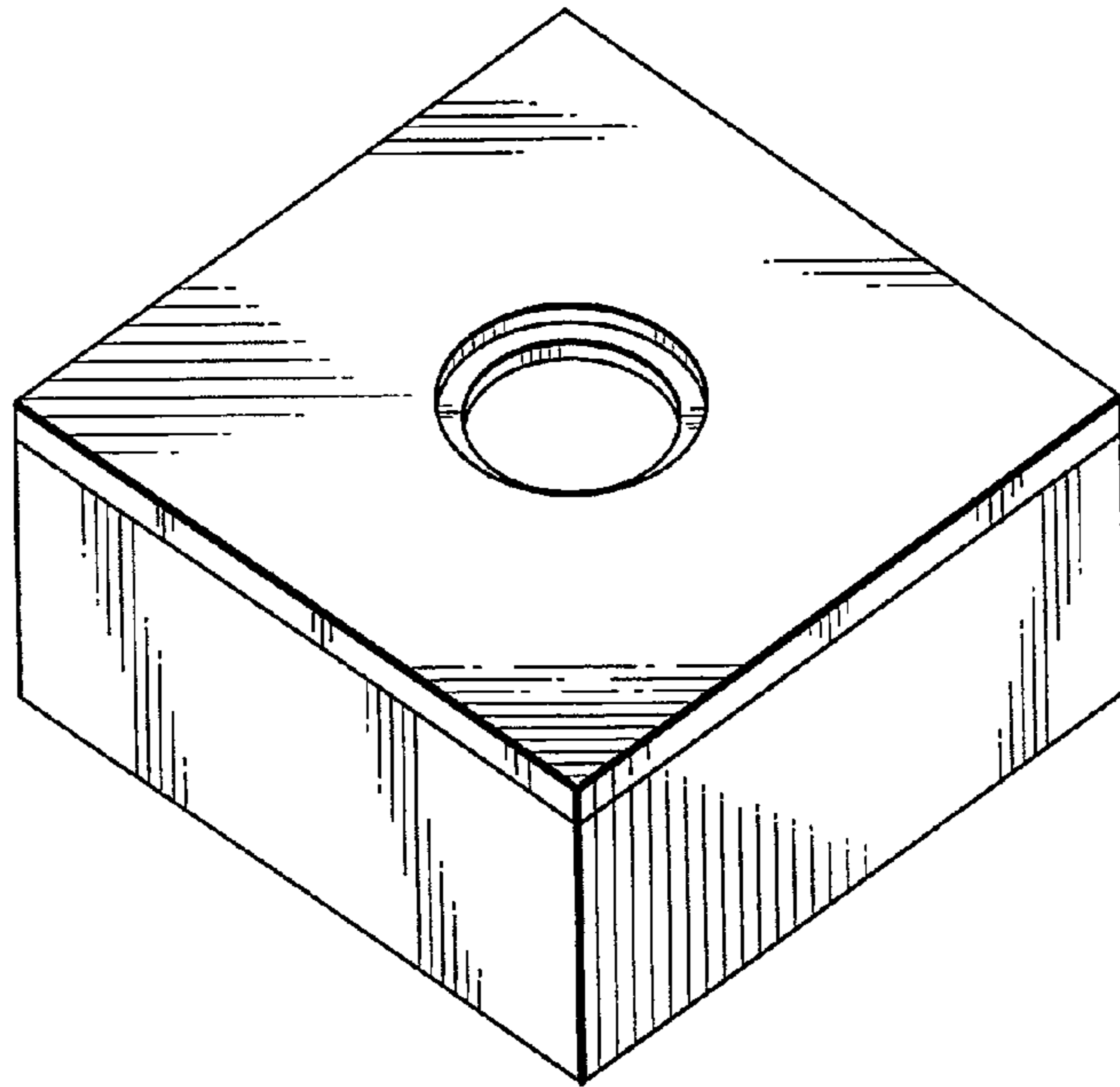


FIG. 2

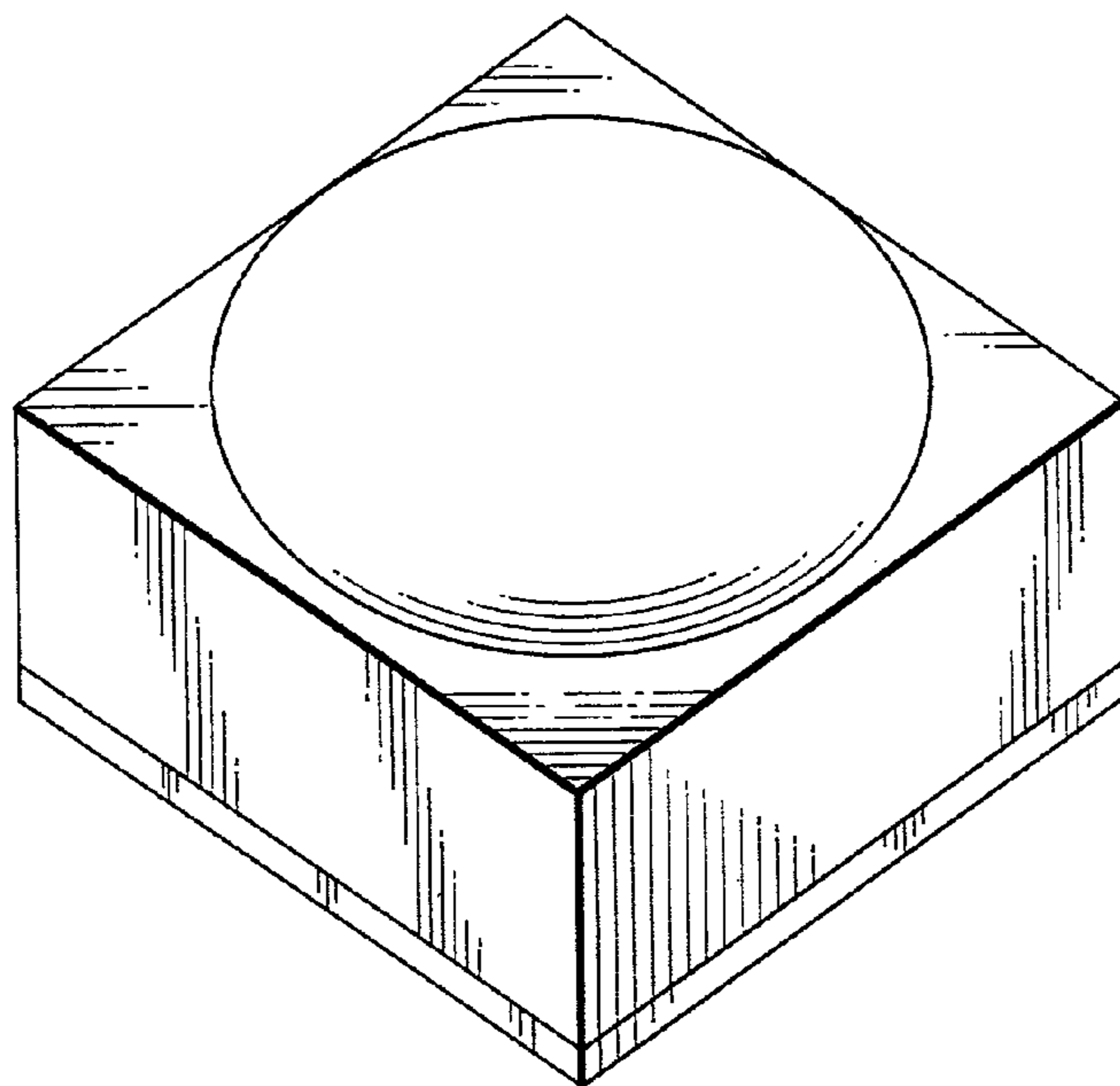


FIG. 3

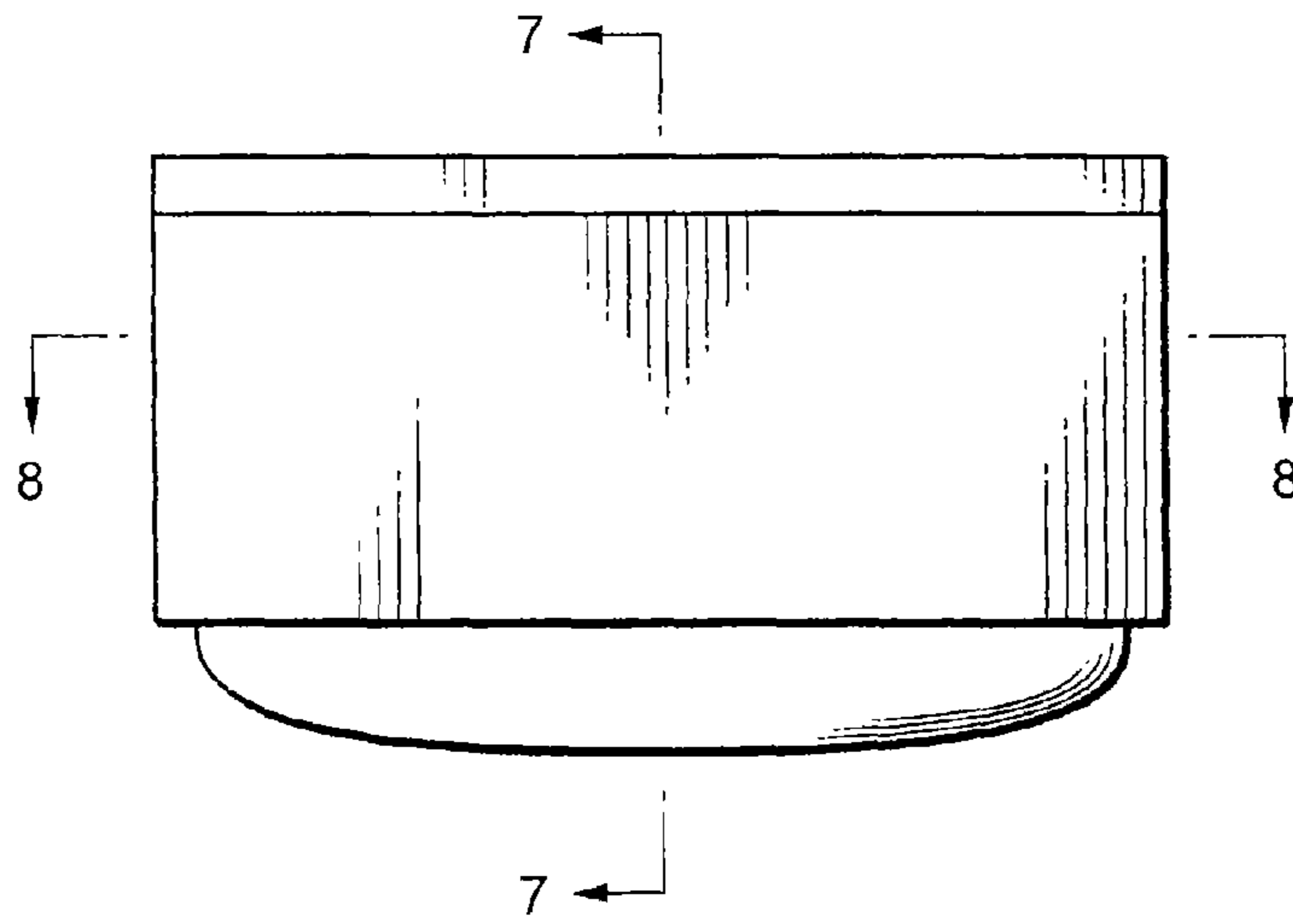


FIG. 4

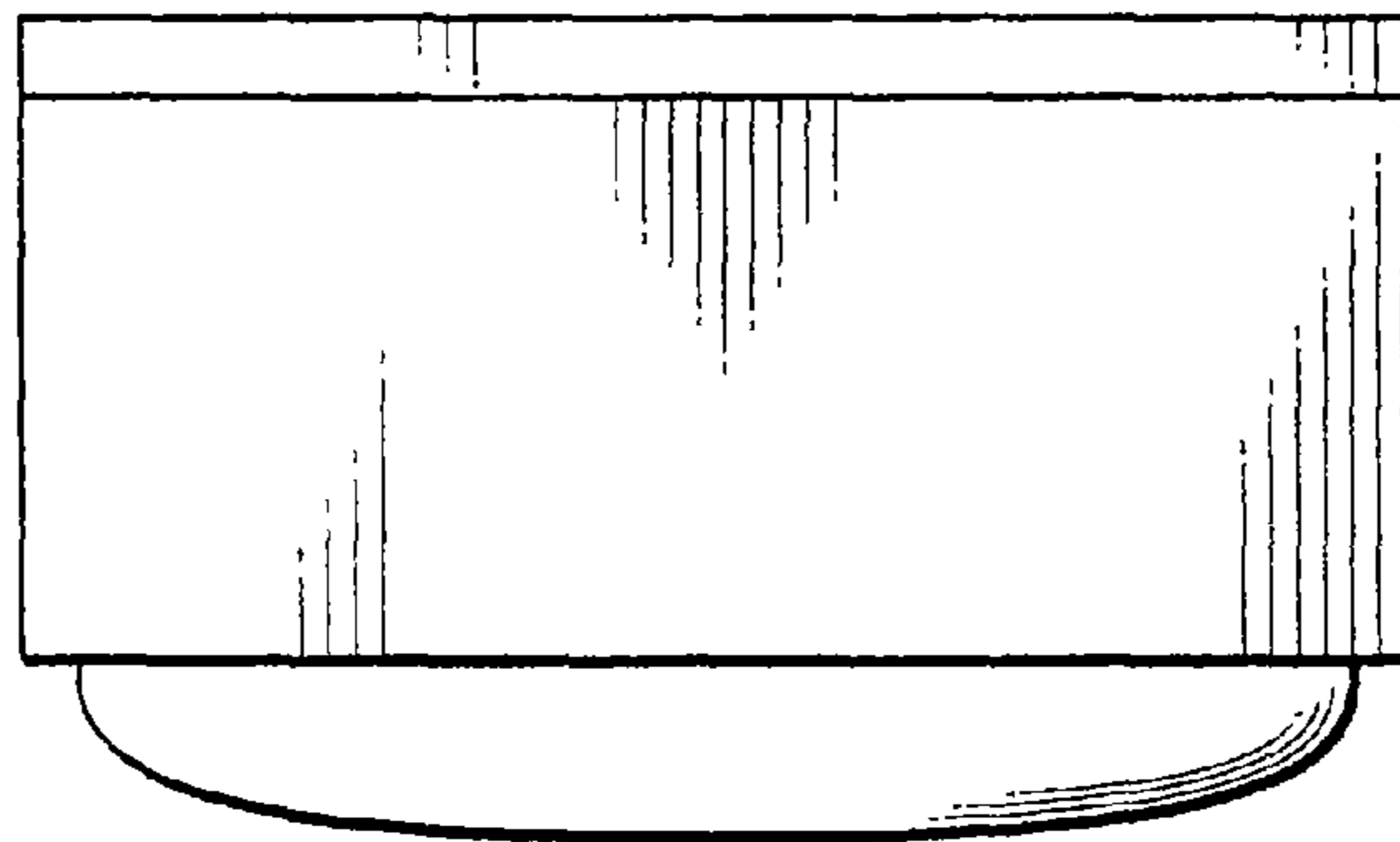


FIG. 5

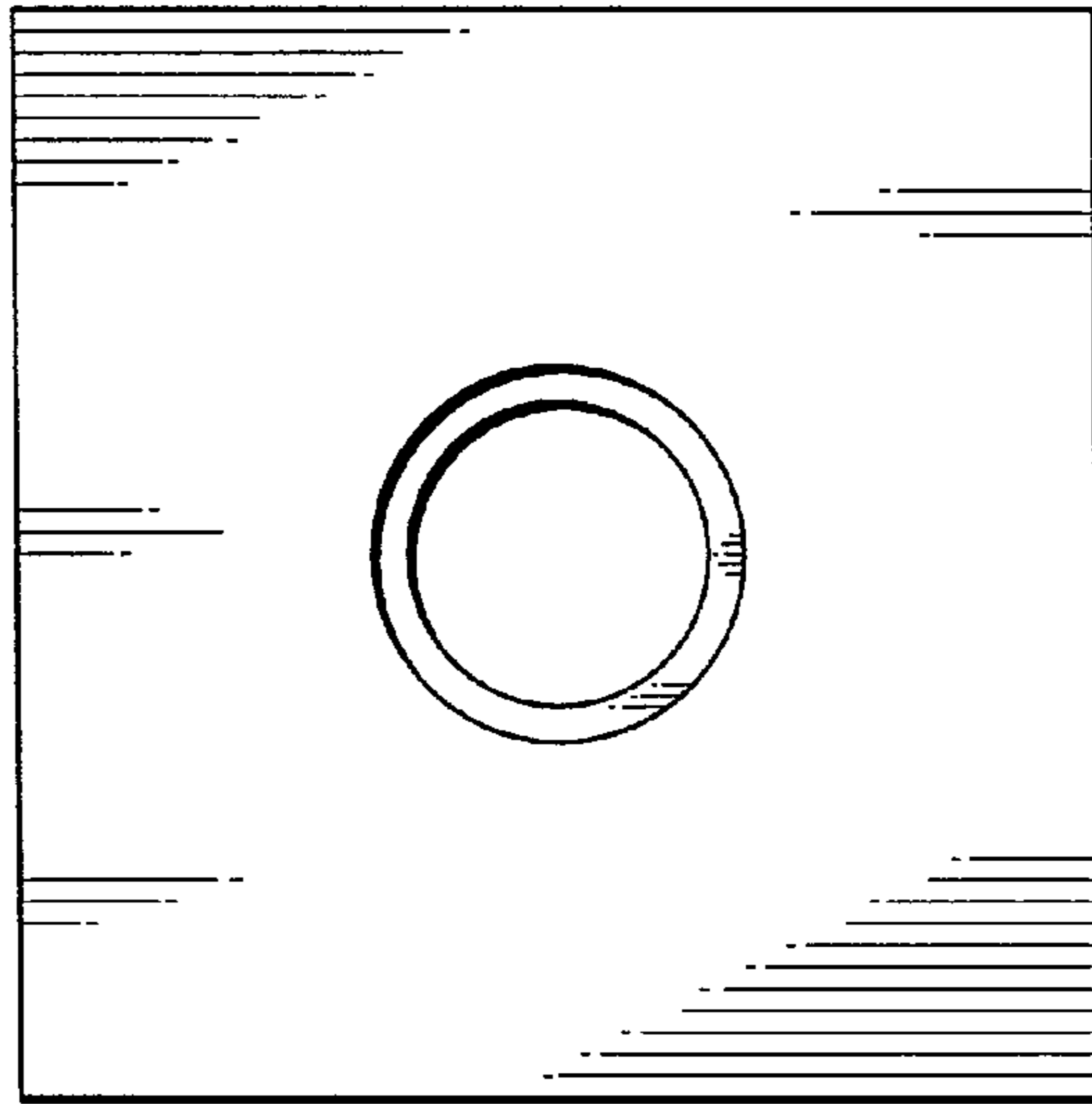


FIG. 6

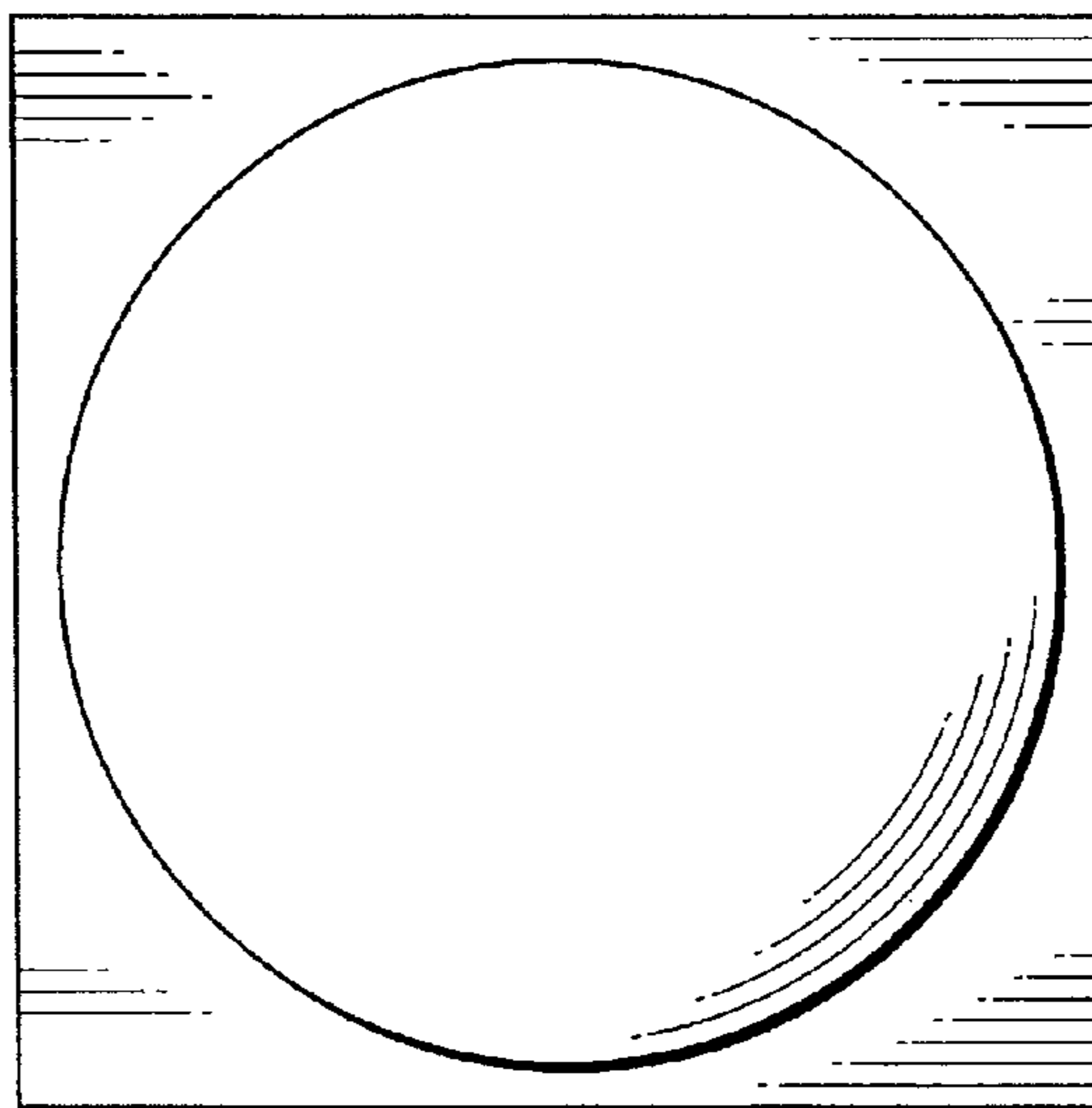


FIG. 7

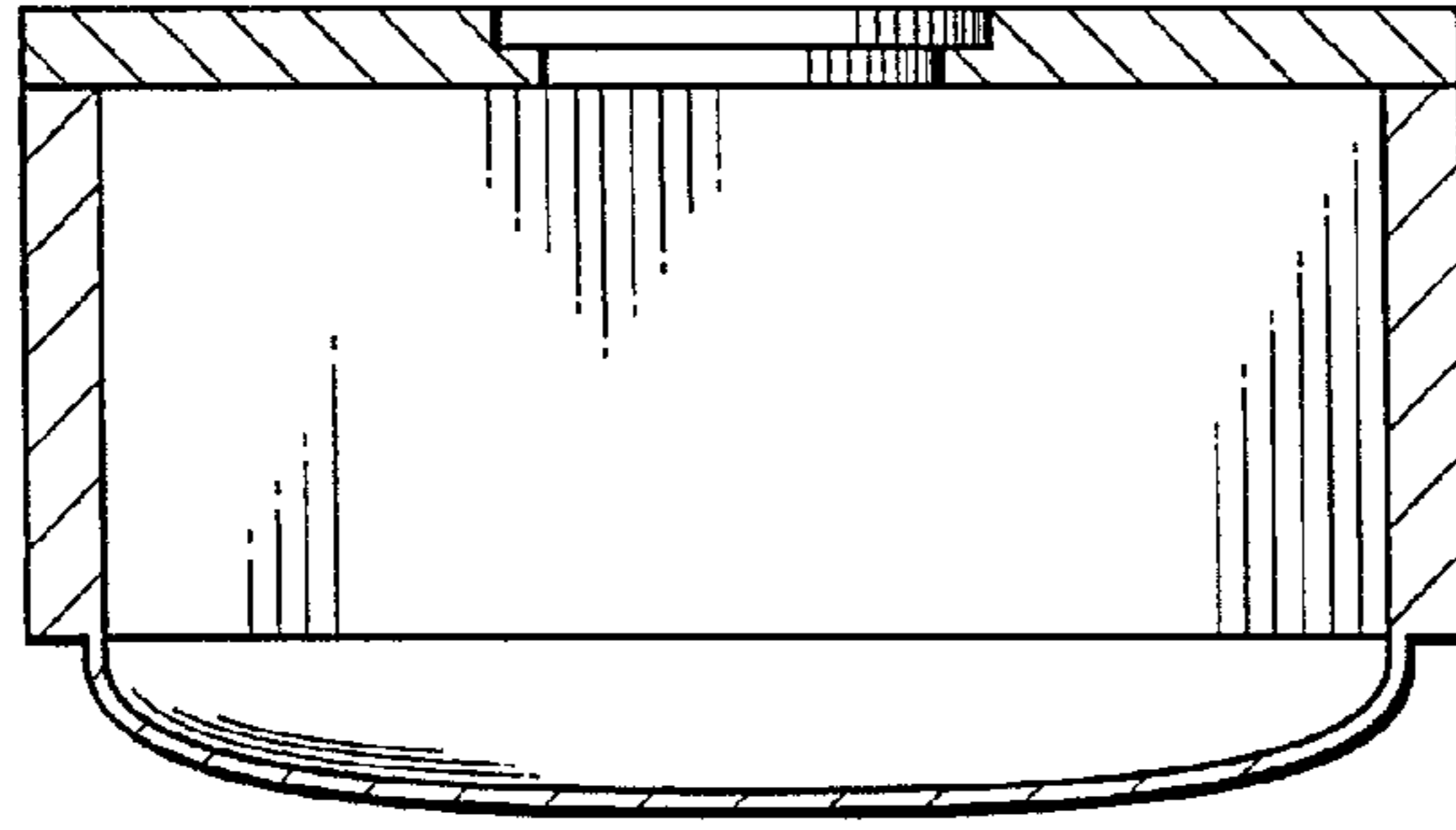


FIG. 8

