



US00D722297S

(12) **United States Design Patent**
Rader et al.

(10) **Patent No.:** **US D722,297 S**

(45) **Date of Patent:** **** Feb. 10, 2015**

(54) **WALL MOUNT PANEL**

(71) Applicant: **ADT US Holdings, Inc.**, Boca Raton,
FL (US)

(72) Inventors: **Timothy Albert Rader**, Lake Worth, FL
(US); **Anne-Marie Rouse**, Wellington,
FL (US); **Diarmuid MacMahon**, Dublin
(IE); **Mel Reynolds**, Wicklow (IE);
James Rennick, Dublin (IE)

(73) Assignee: **ADT US Holdings, Inc.**, Boca Raton,
FL (US)

(**) Term: **14 Years**

(21) Appl. No.: **29/468,273**

(22) Filed: **Sep. 27, 2013**

(51) **LOC (10) Cl.** **13-03**

(52) **U.S. Cl.**
USPC **D13/162**

(58) **Field of Classification Search**

USPC D13/162, 168; D10/49, 50, 106.1,
D10/106.6, 106.95; D14/217, 375, 447;
D6/672, 682; 248/176.1, 176.3, 688;
340/508, 500, 540, 541, 550; 345/156;
361/679.01; 362/85, 561; 700/17, 83,
700/180, 276

See application file for complete search history.

(56) **References Cited**

U.S. PATENT DOCUMENTS

D236,719 S * 9/1975 Sparks et al. D10/106.95
D272,433 S * 1/1984 Trabucchi et al. D13/164
D273,466 S * 4/1984 Lawrence et al. D10/50
D282,463 S * 2/1986 Barr et al. D14/140
D311,170 S * 10/1990 Mayo et al. D13/164
D381,960 S * 8/1997 Chandler D13/164
D390,134 S * 2/1998 Ingebritson et al. D10/50

D464,328 S * 10/2002 Vasquez et al. D13/164
D558,152 S * 12/2007 Tatsuyama et al. D13/162
D562,259 S * 2/2008 Kosche D13/162
D581,879 S * 12/2008 Dukerschein et al. D13/162
D582,802 S * 12/2008 Branson et al. D10/50
D590,374 S * 4/2009 Madonna et al. D14/218
D690,661 S * 10/2013 Wisniewski et al. D13/162
D693,314 S * 11/2013 McKeage et al. D13/162
D694,195 S * 11/2013 Gammon et al. D13/162
D710,312 S * 8/2014 Branson et al. D13/162

* cited by examiner

Primary Examiner — Selina Sikder

(74) *Attorney, Agent, or Firm* — Christopher & Weisberg,
P.A.

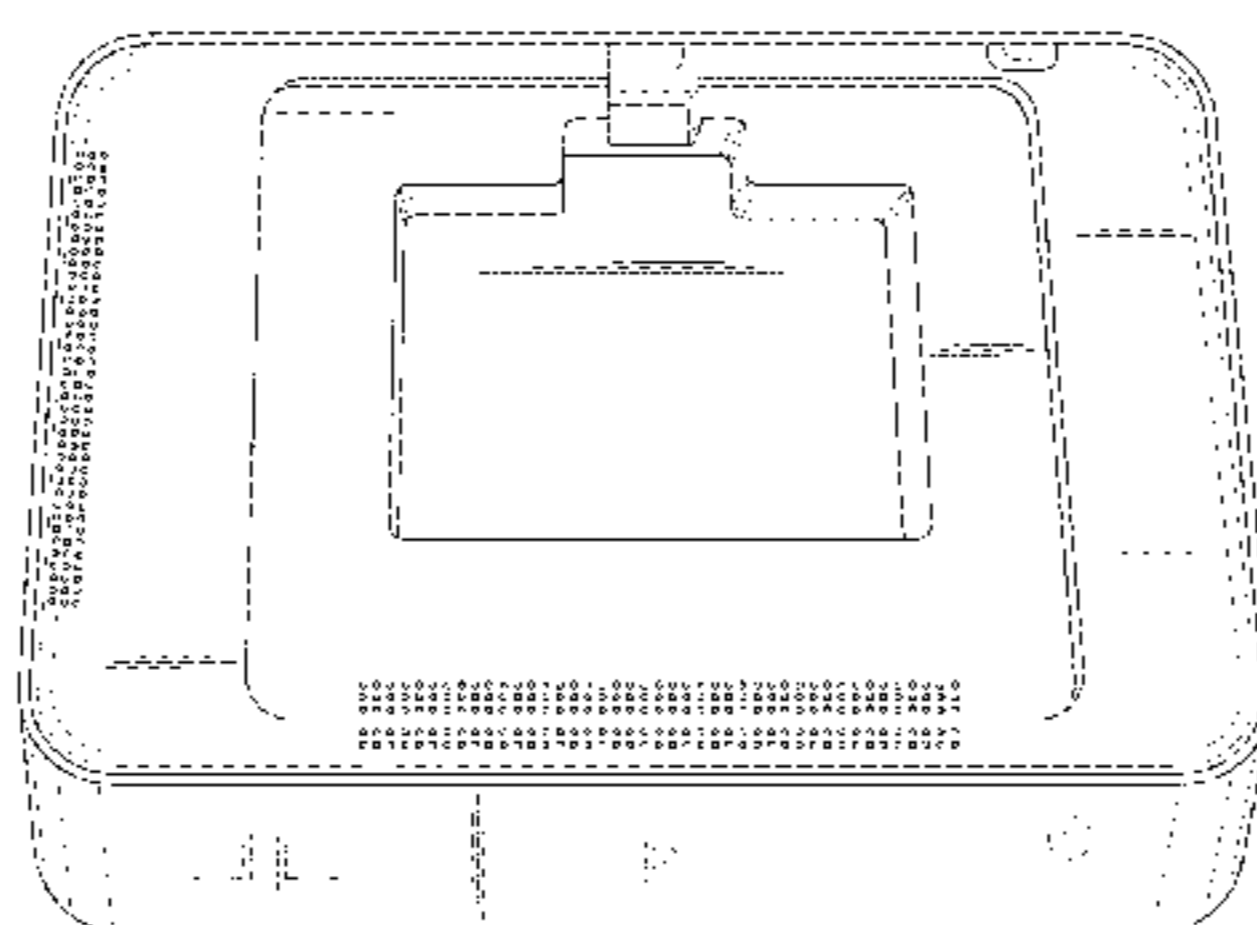
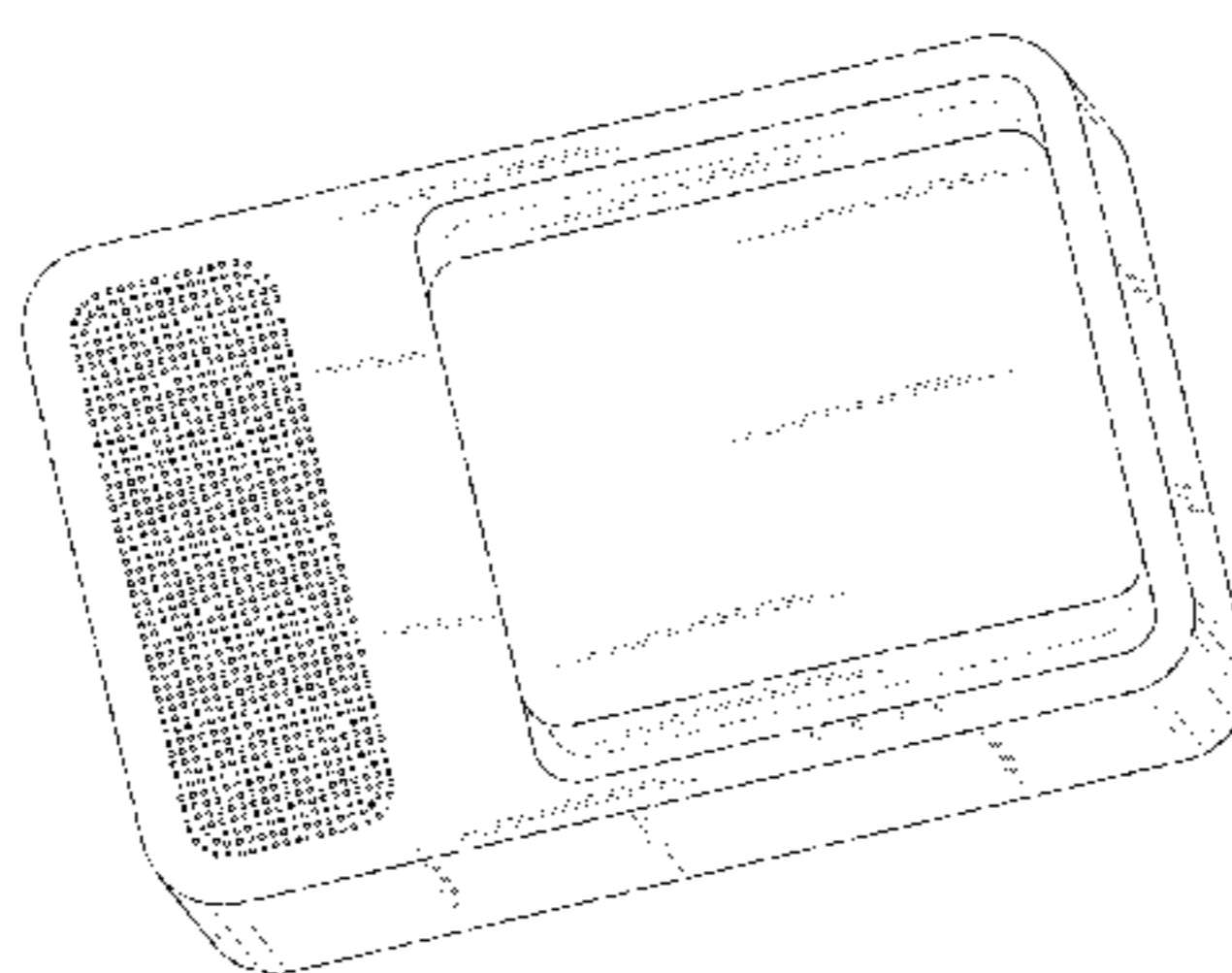
(57) **CLAIM**

The ornamental design for a wall mount panel, as shown and
described.

DESCRIPTION

FIG. 1 is front perspective view of a wall mount panel with a
front panel door in a closed position;
FIG. 2 is a front view thereof;
FIG. 3 is a rear view thereof and with a rear panel door in a
closed position;
FIG. 4 is a right side view thereof;
FIG. 5 is a left side view thereof;
FIG. 6 is a top view thereof;
FIG. 7 is a bottom view thereof;
FIG. 8 is front perspective view of the wall mount panel with
the front panel door in an alternate open position;
FIG. 9 is rear perspective view of the wall mount panel with
the rear panel door removed; and,
FIG. 10 is rear perspective view of the wall mount panel with
the rear panel door in an alternate removed position.
The broken lines in FIGS. 1-10 form no part of the claimed
design.

1 Claim, 8 Drawing Sheets



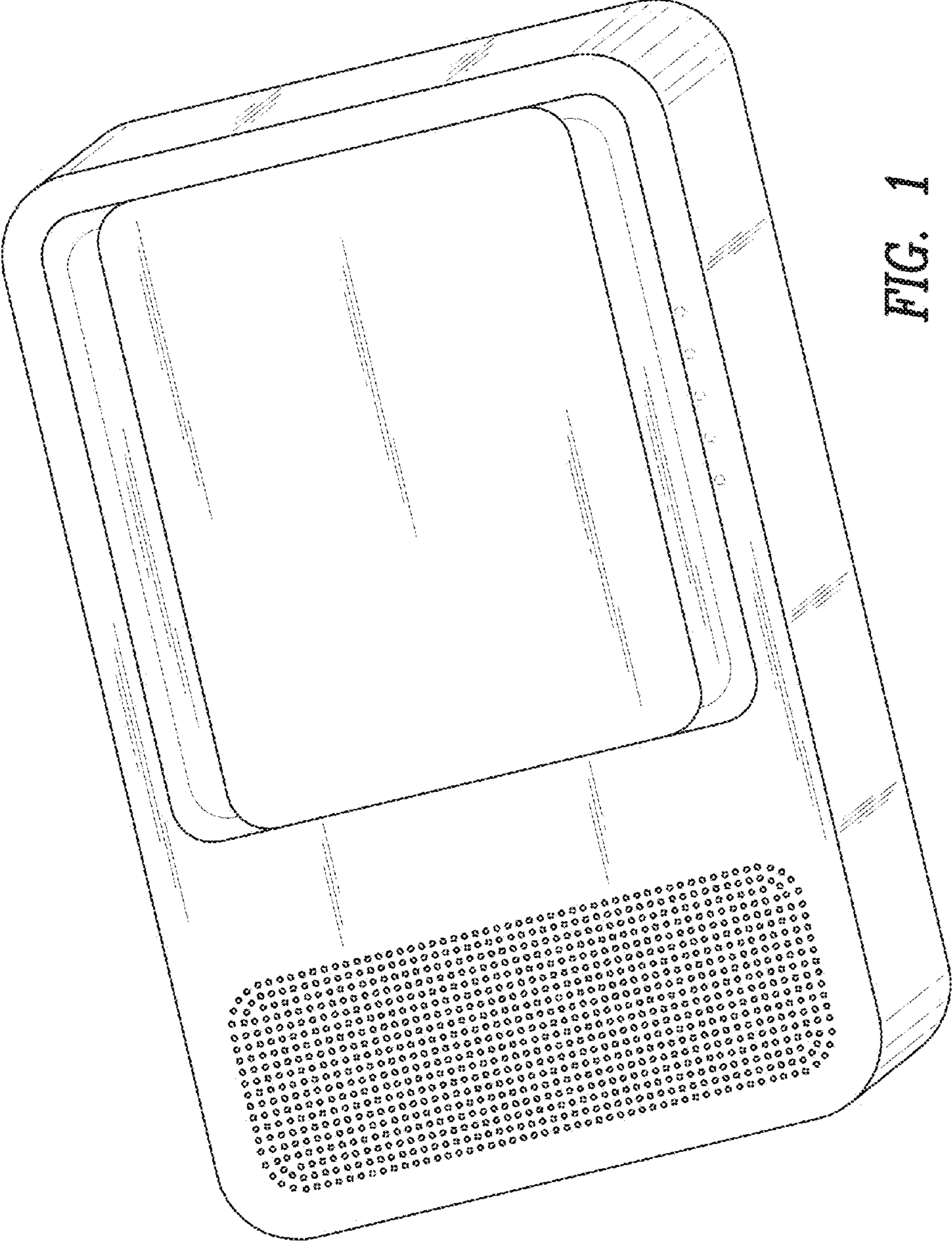


FIG. 1

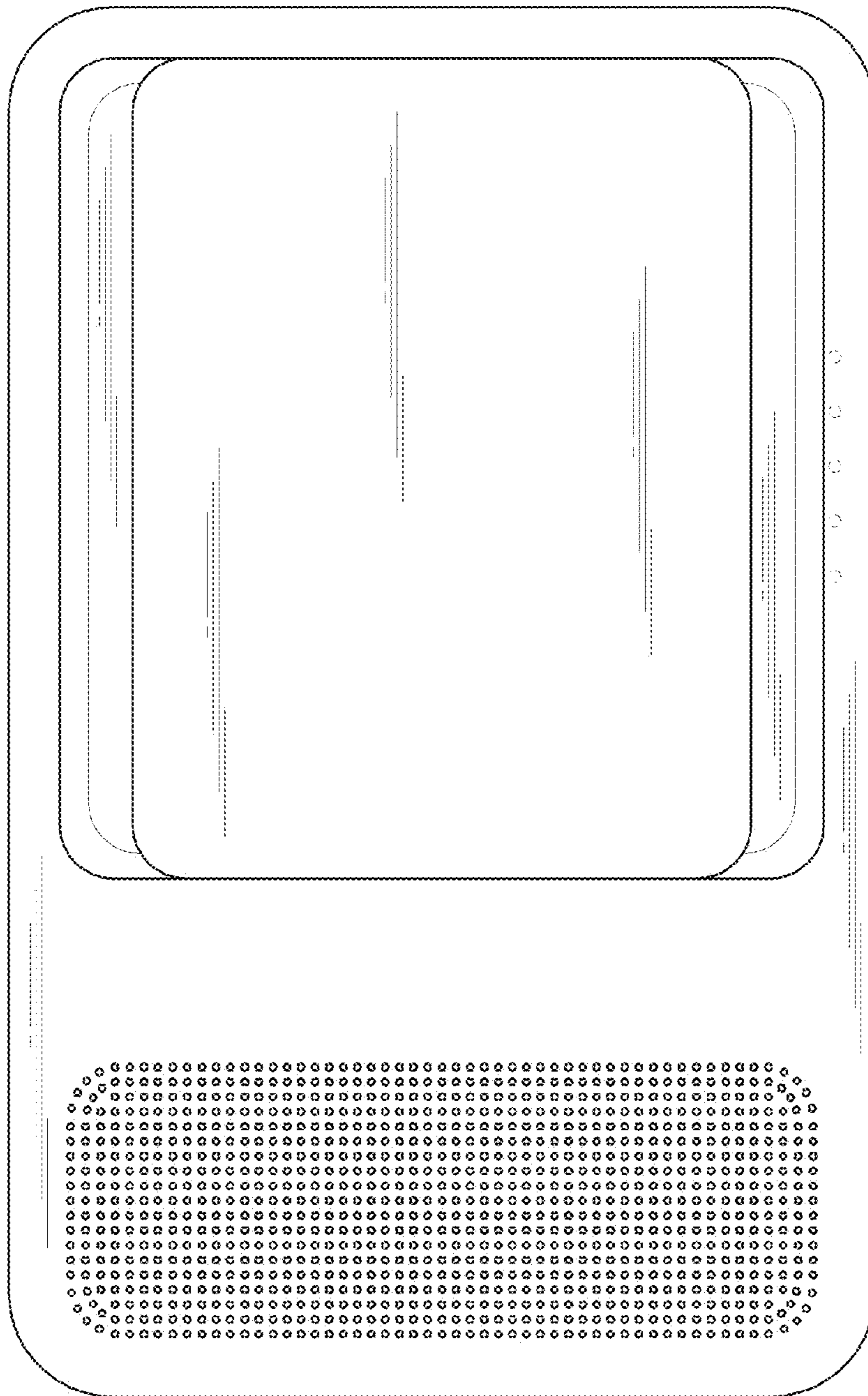


FIG. 2

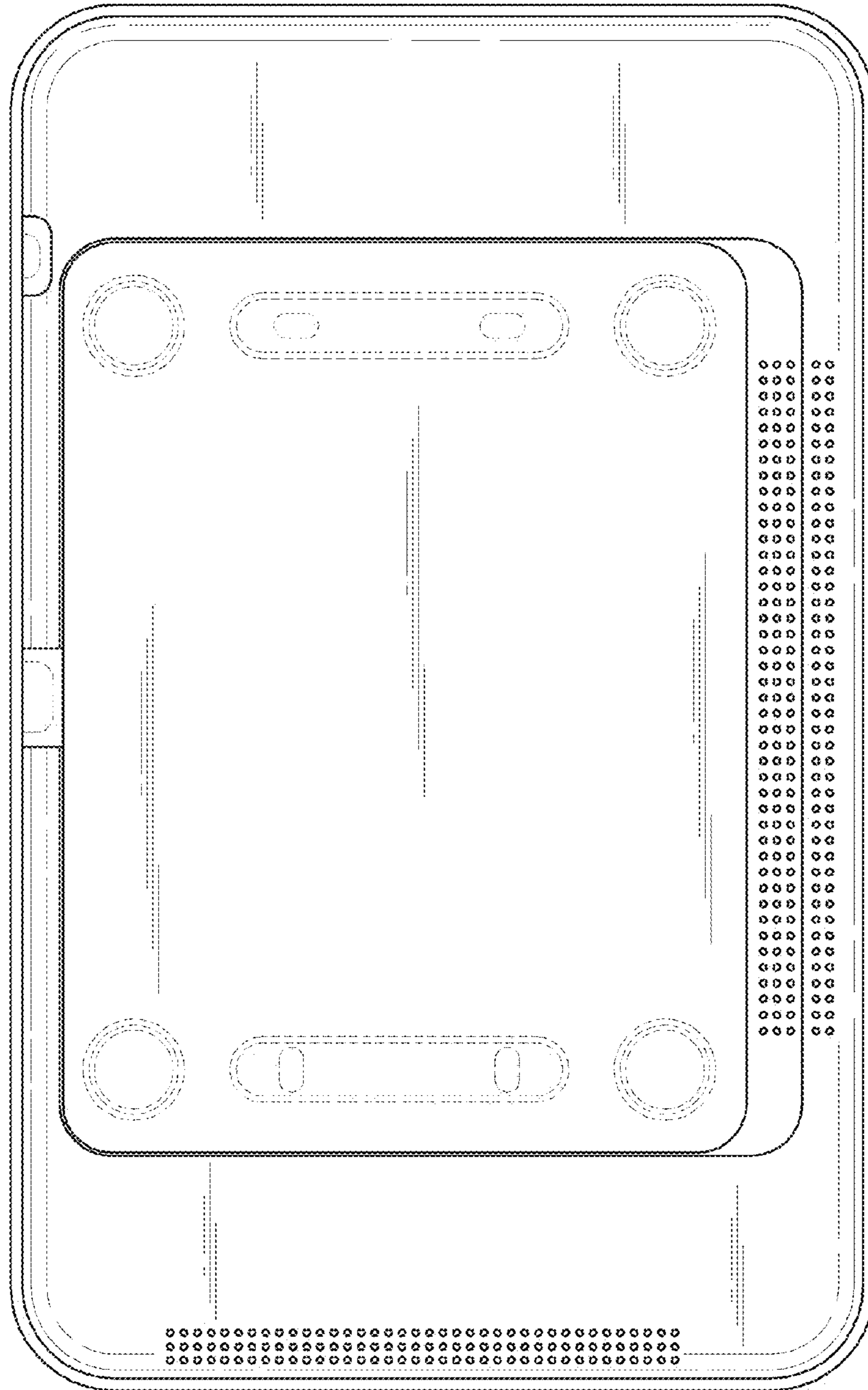


FIG. 3

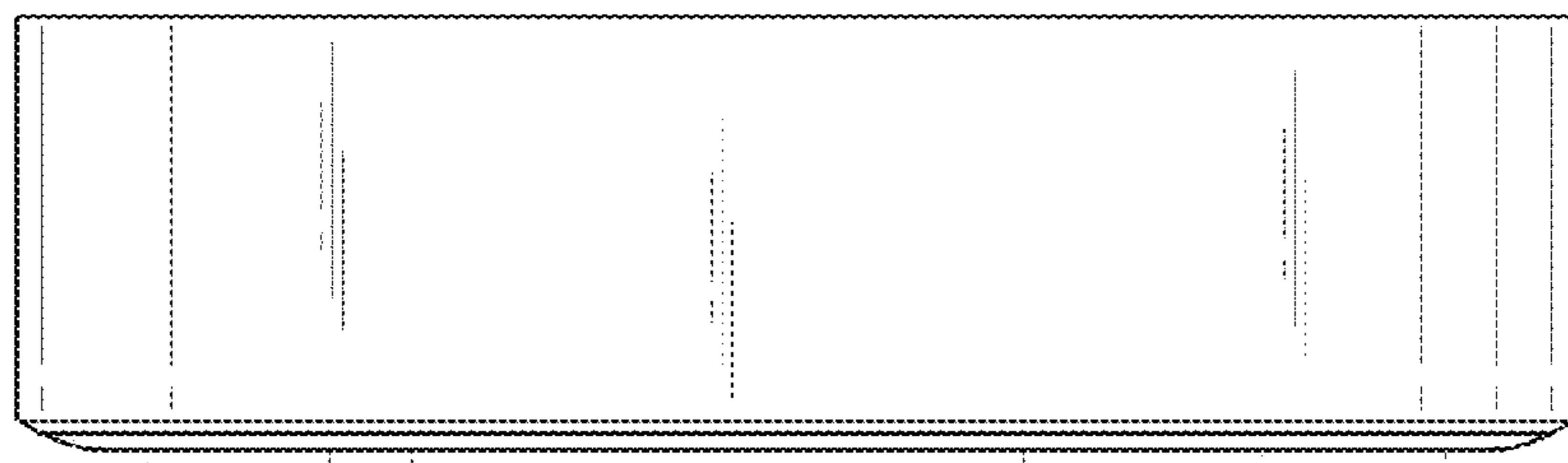


FIG. 4

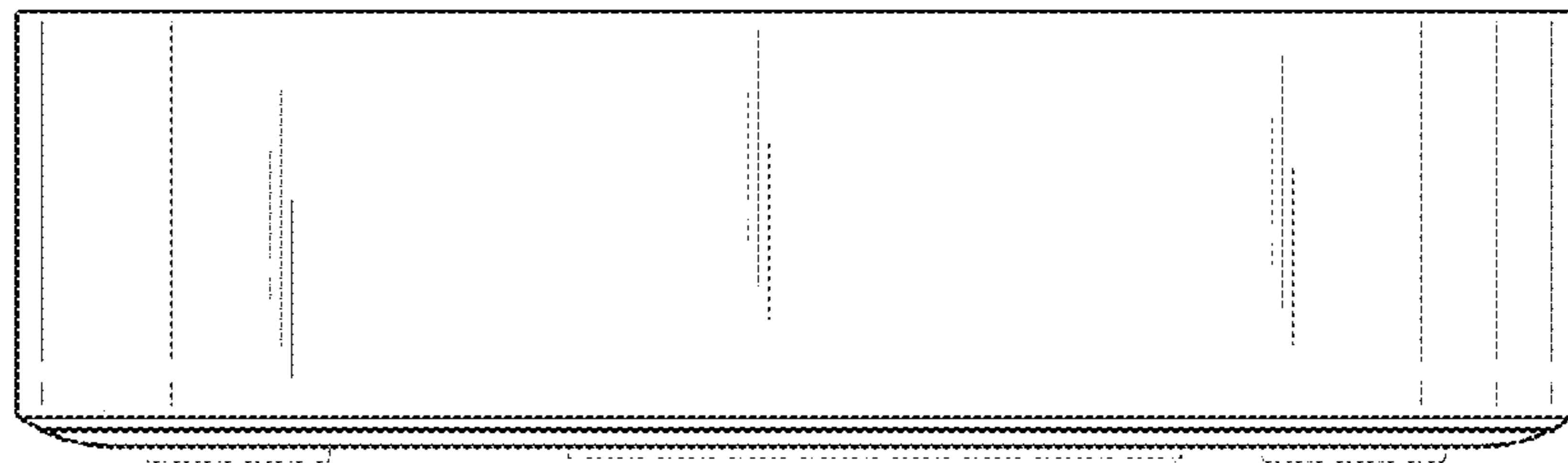


FIG. 5

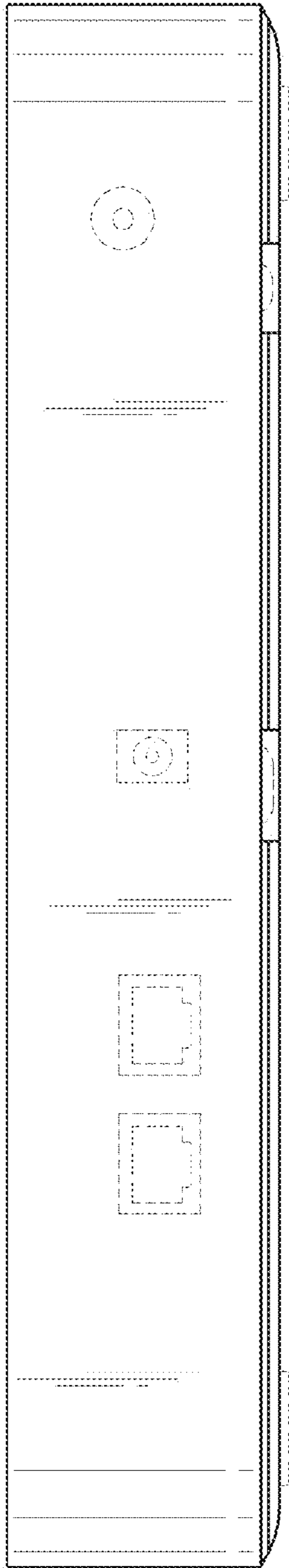


FIG. 6

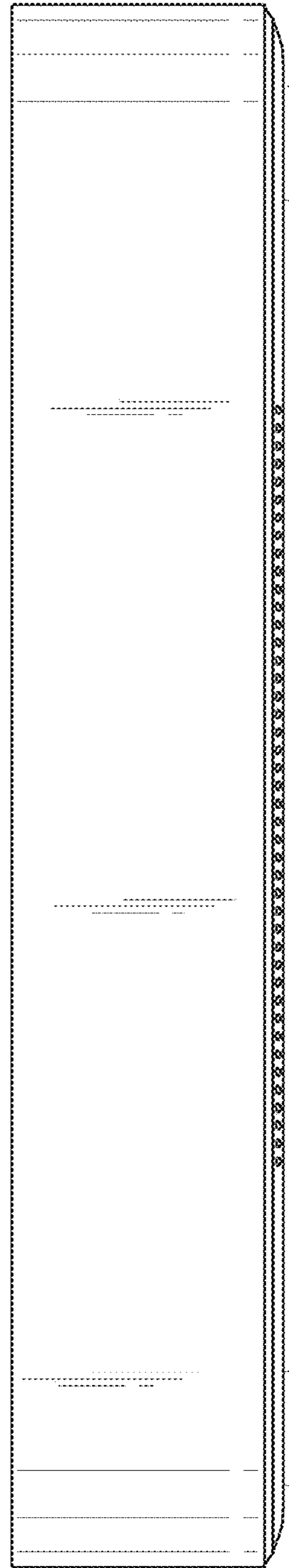


FIG. 7

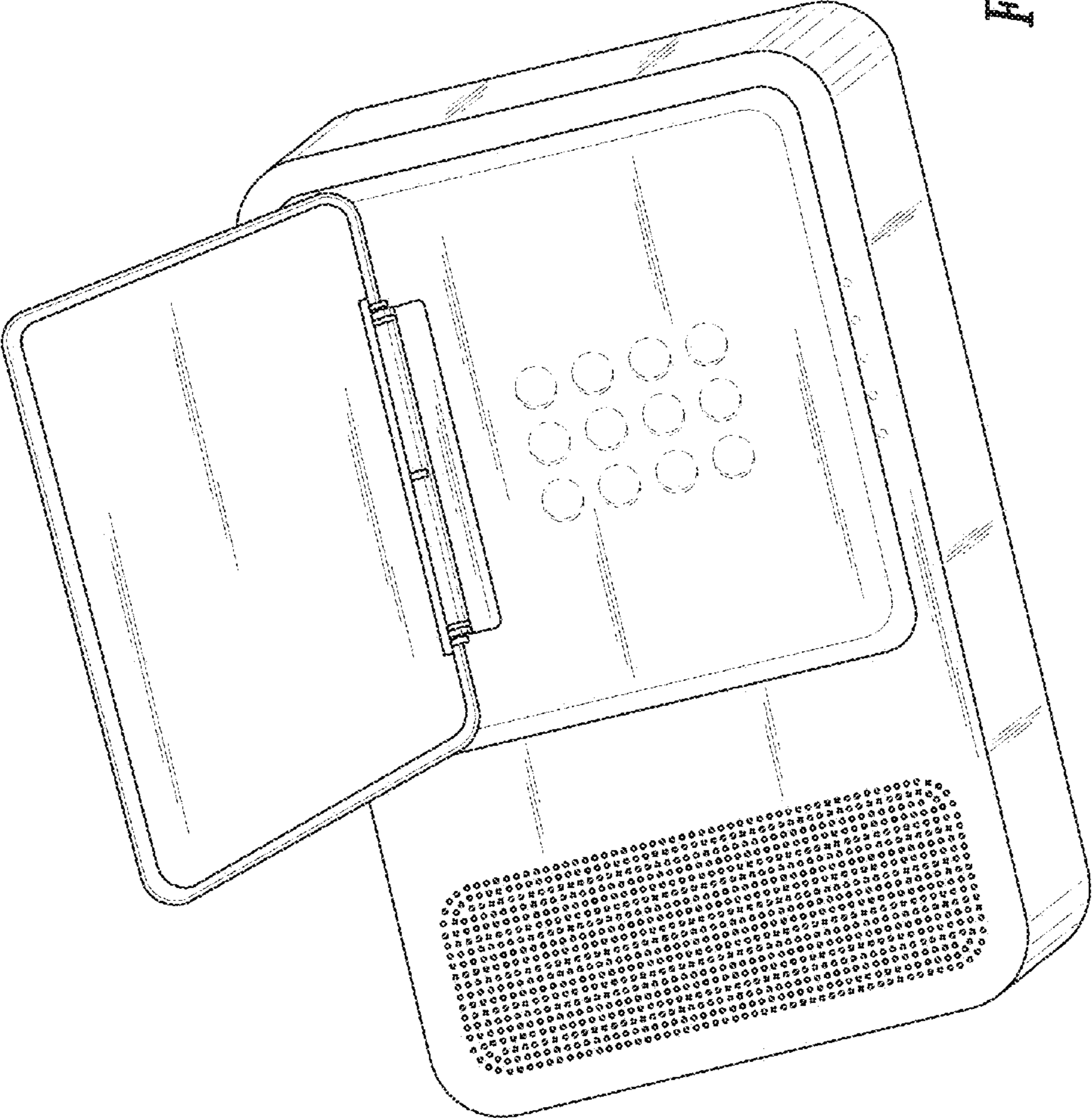


FIG. 8

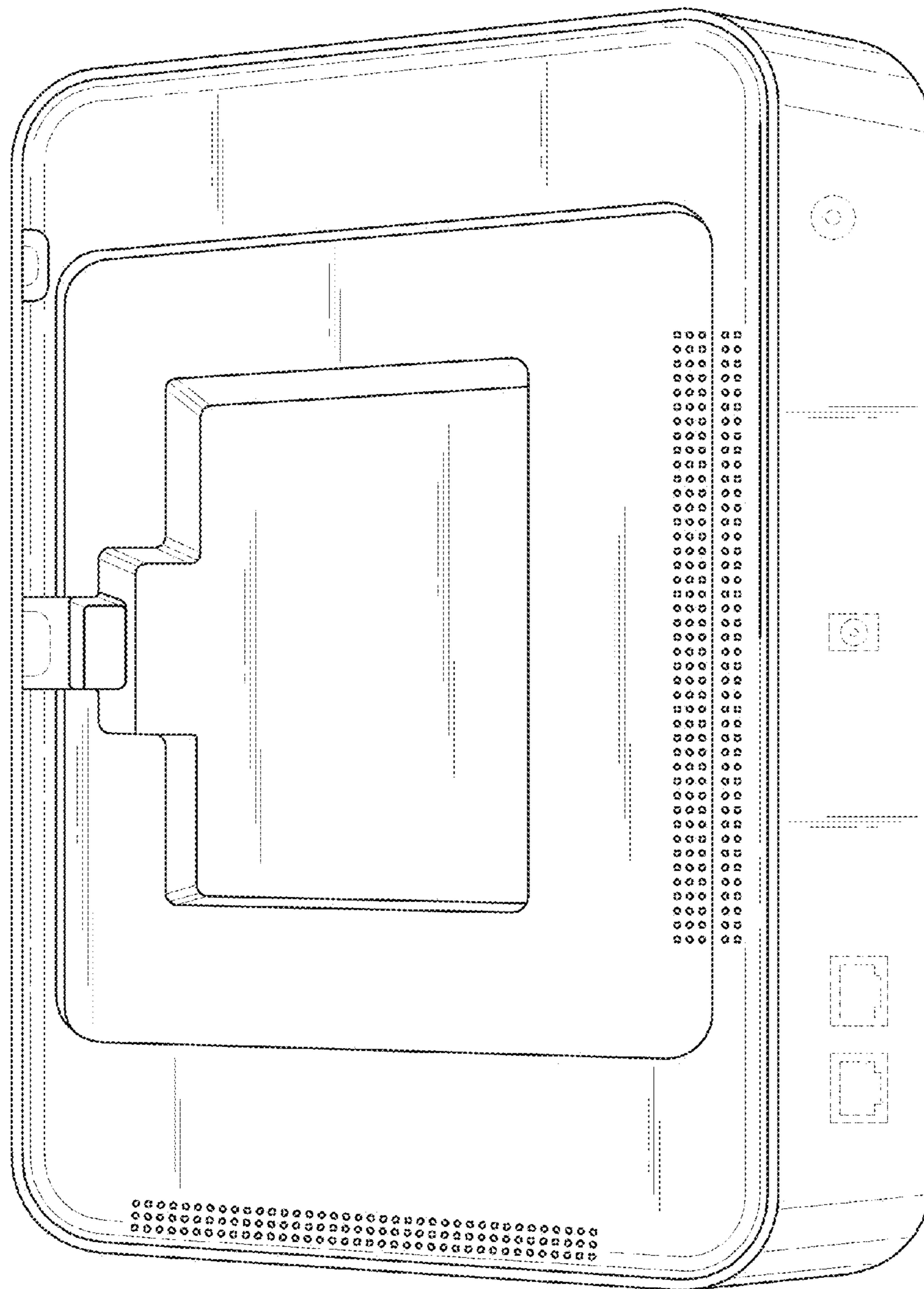


FIG. 9

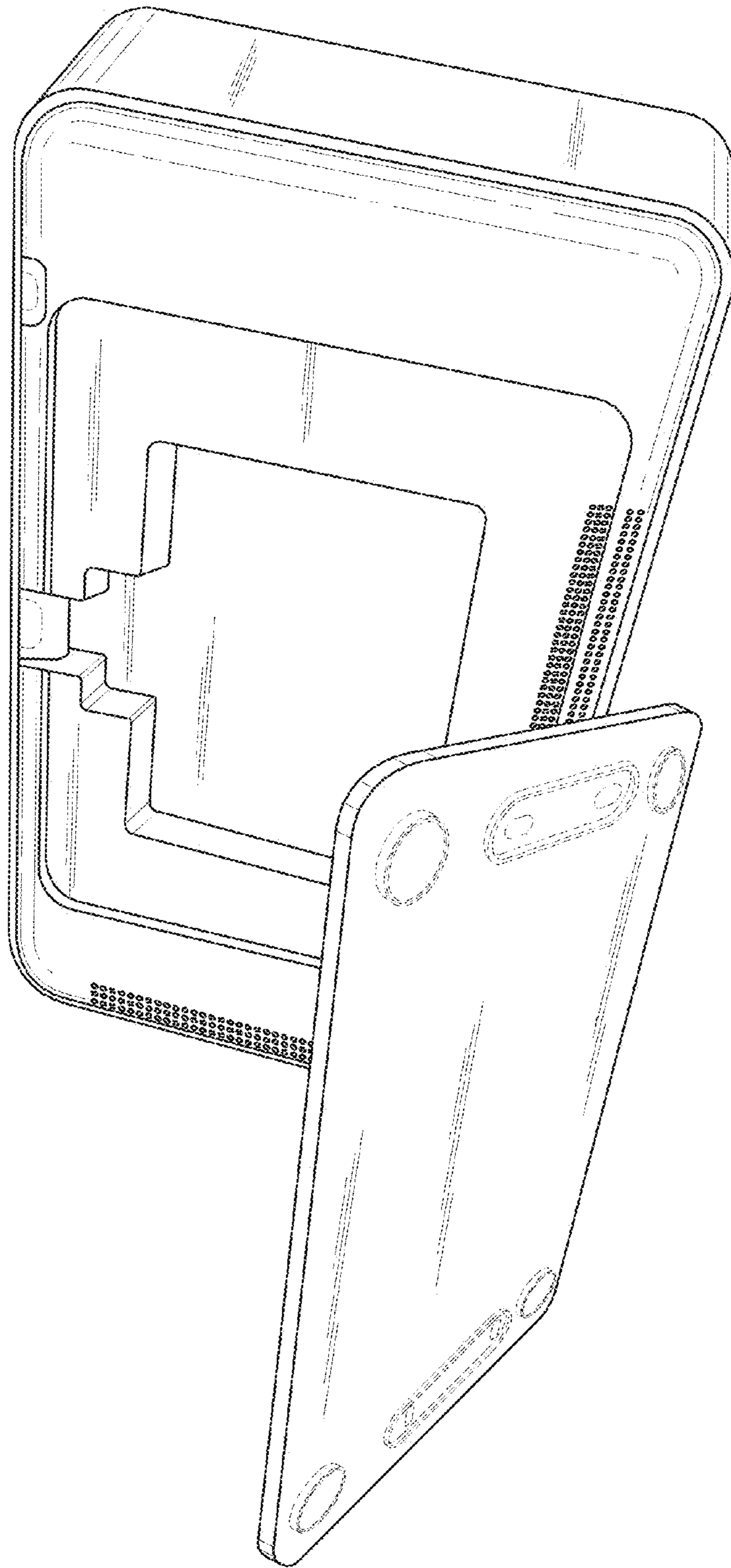


FIG. 10