



US00D722296S

(12) **United States Design Patent**
Taylor

(10) **Patent No.:** **US D722,296 S**

(45) **Date of Patent:** **** Feb. 10, 2015**

(54) **JUNCTION BOX**

(71) Applicant: **Avigilon Corporation**, Vancouver (CA)

(72) Inventor: **Nigel Geoffrey Taylor**, Vancouver (CA)

(73) Assignee: **Avigilon Corporation**, Vancouver (CA)

(**) Term: **14 Years**

(21) Appl. No.: **29/479,091**

(22) Filed: **Jan. 10, 2014**

(51) **LOC (10) Cl.** **13-03**

(52) **U.S. Cl.**
USPC **D13/152**

(58) **Field of Classification Search**

USPC D13/152, 153, 155, 156, 137.1, 137.4,
D13/139.3, 139.2, 133, 184; 220/3.2, 3.3,
220/3.4-3.9, 3.92, 3.94; 174/58, 50.56, 51;
439/675, 668, 623

See application file for complete search history.

(56) **References Cited**

U.S. PATENT DOCUMENTS

3,023,920 A * 3/1962 Cook et al. 220/3.6
D468,697 S * 1/2003 Straub, Jr. D13/152
D539,751 S * 4/2007 Kiely D13/152
D595,659 S * 7/2009 Maurer et al. D13/152
D601,096 S * 9/2009 Vigorito et al. D13/152

D676,814 S * 2/2013 Paul D13/152
D677,634 S * 3/2013 Korcz et al. D13/152
D679,252 S * 4/2013 Wagner et al. D13/152
D684,935 S * 6/2013 DeCosta D13/152
D702,198 S * 4/2014 Gretz D13/184

* cited by examiner

Primary Examiner — Ian Simmons

Assistant Examiner — Rhea Shields

(74) *Attorney, Agent, or Firm* — Klarquist Sparkman, LLP

(57) **CLAIM**

I claim the ornamental design for a junction box, as shown and described.

DESCRIPTION

FIG. 1 is a perspective view of a junction box, according to my new design;

FIG. 2 is a top plan view of the junction box of FIG. 1;

FIG. 3 is a front elevation view of the junction box of FIG. 1;

FIG. 4 is a bottom plan view of the junction box of FIG. 1;

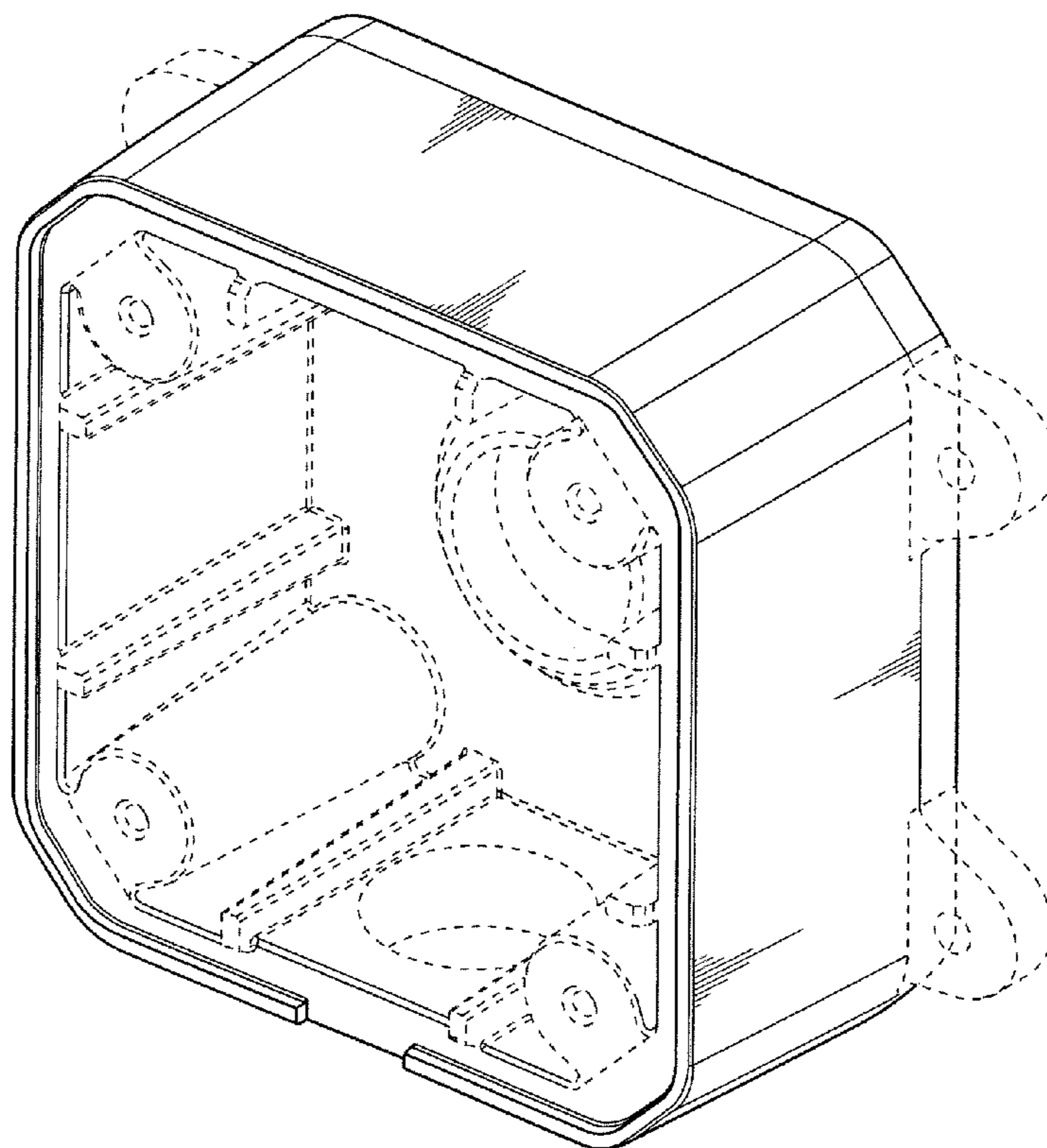
FIG. 5 is a rear elevation view of the junction box of FIG. 1;

FIG. 6 is a left side elevation view of the junction box of FIG. 1; and,

FIG. 7 is a right side elevation view of the junction box of FIG. 1.

The dashed lines in the drawings represent portions of the junction box that do not form part of the claimed design.

1 Claim, 4 Drawing Sheets



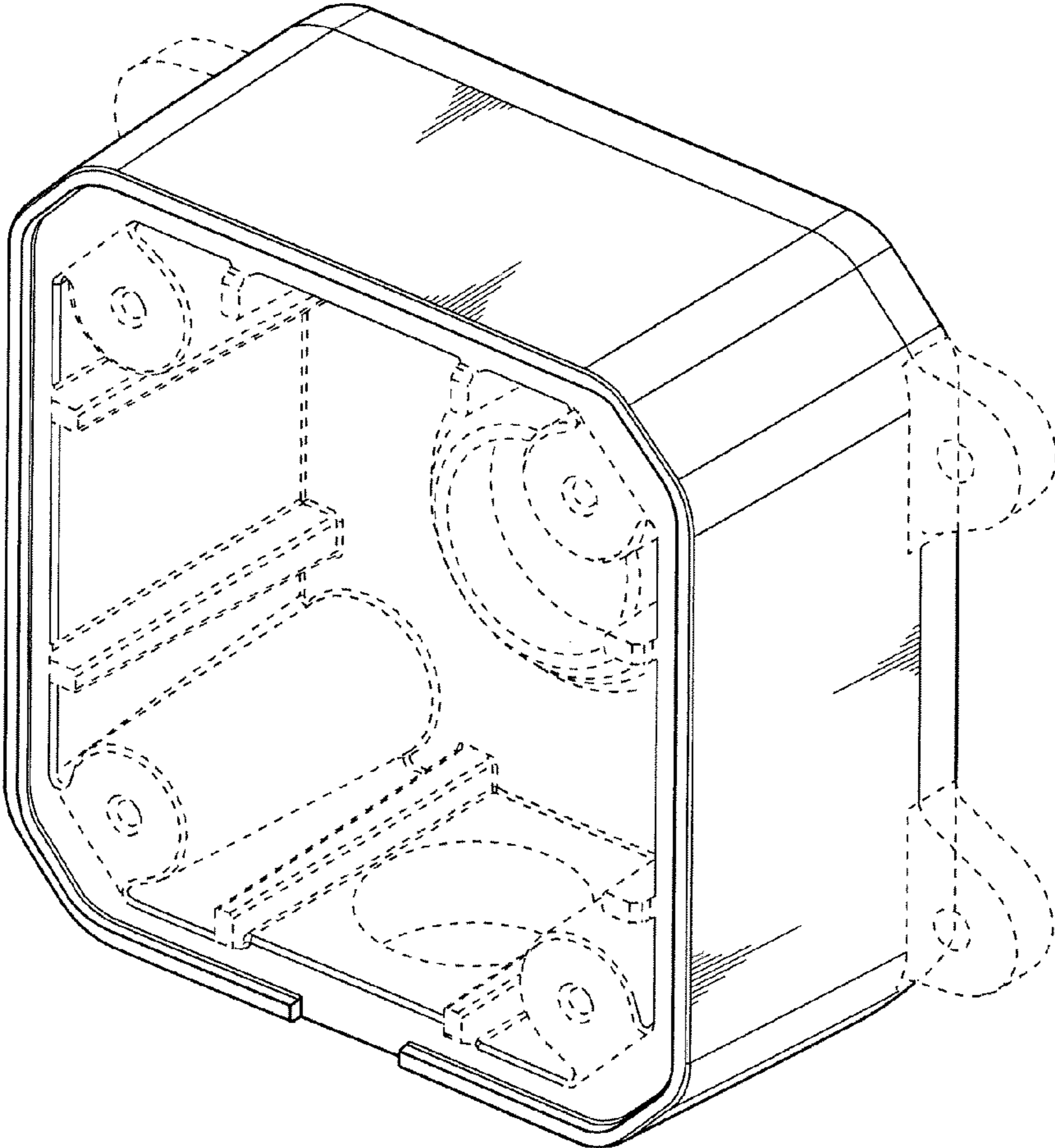


FIG. 1

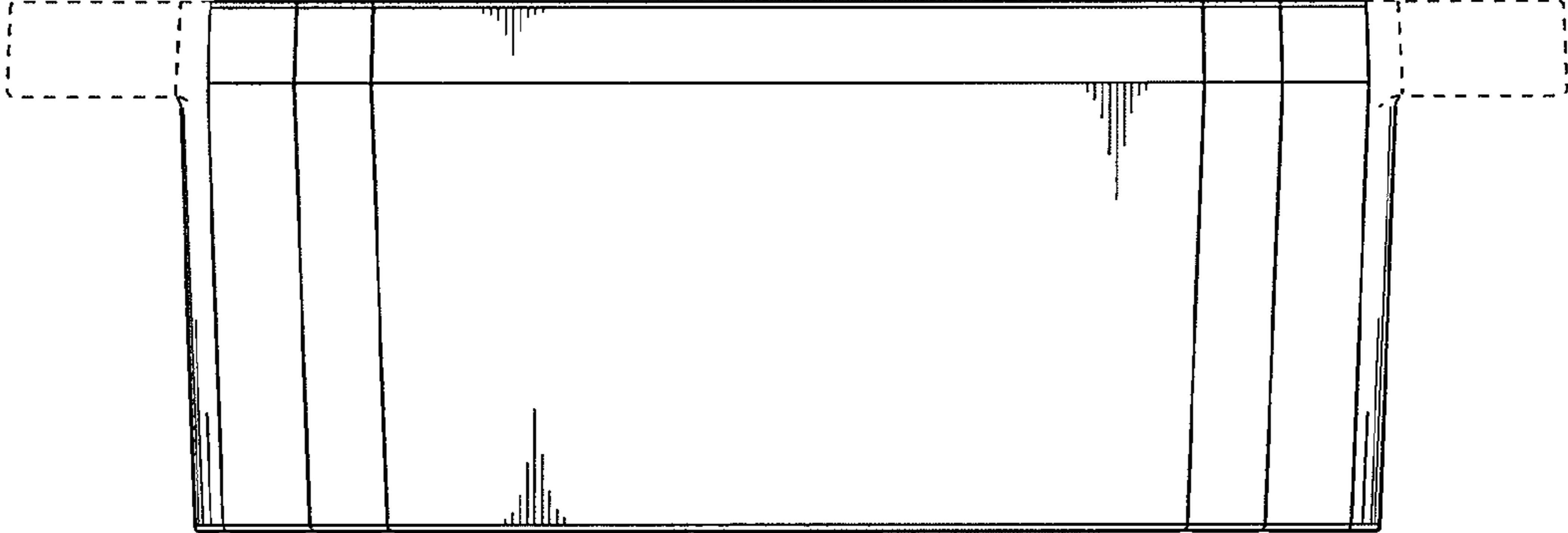


FIG. 2

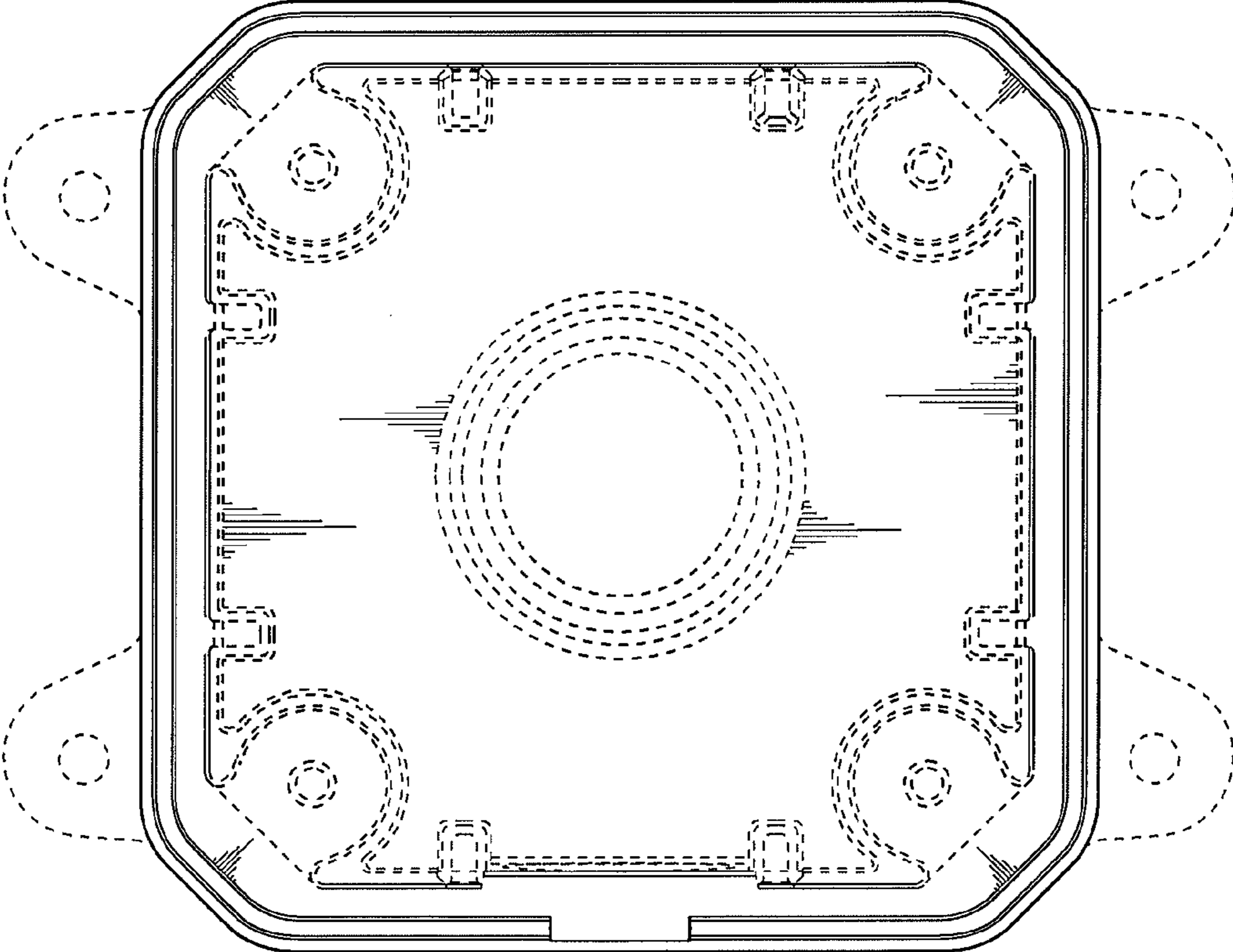


FIG. 3

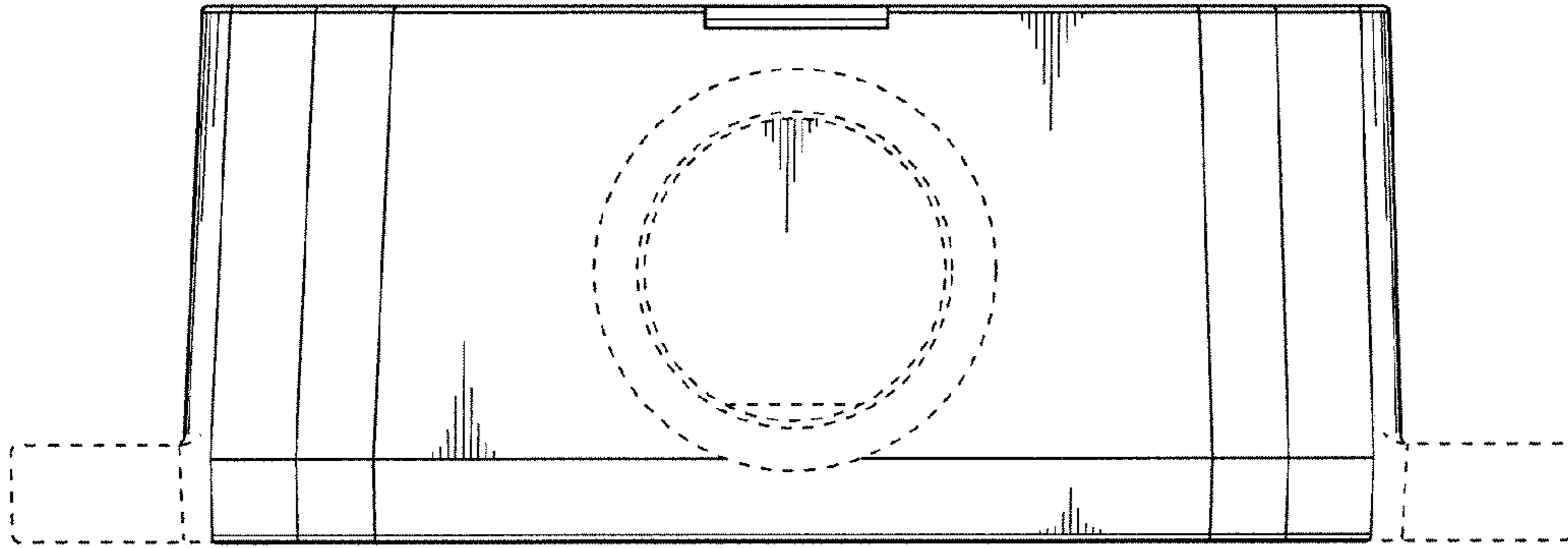


FIG. 4

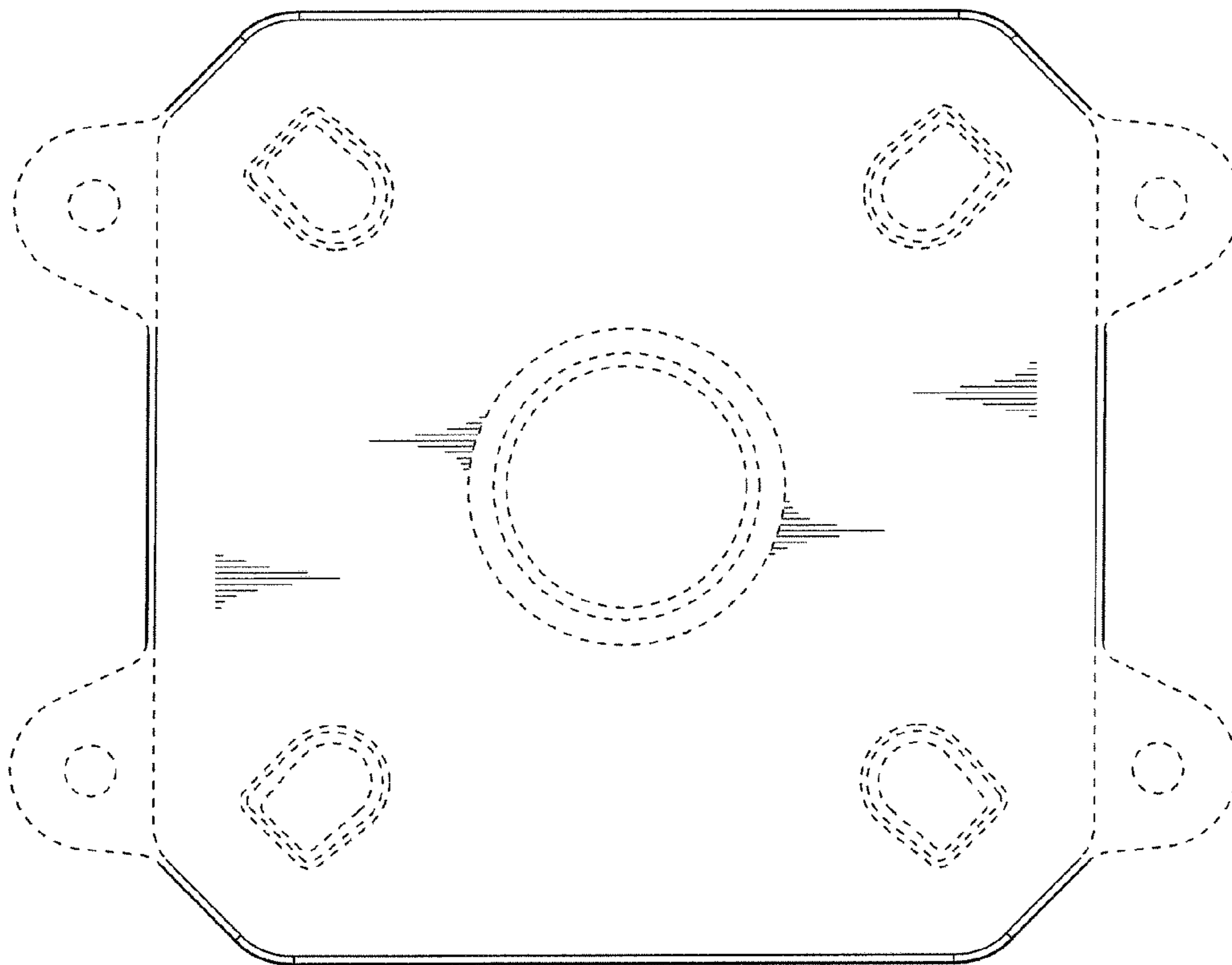


FIG. 5

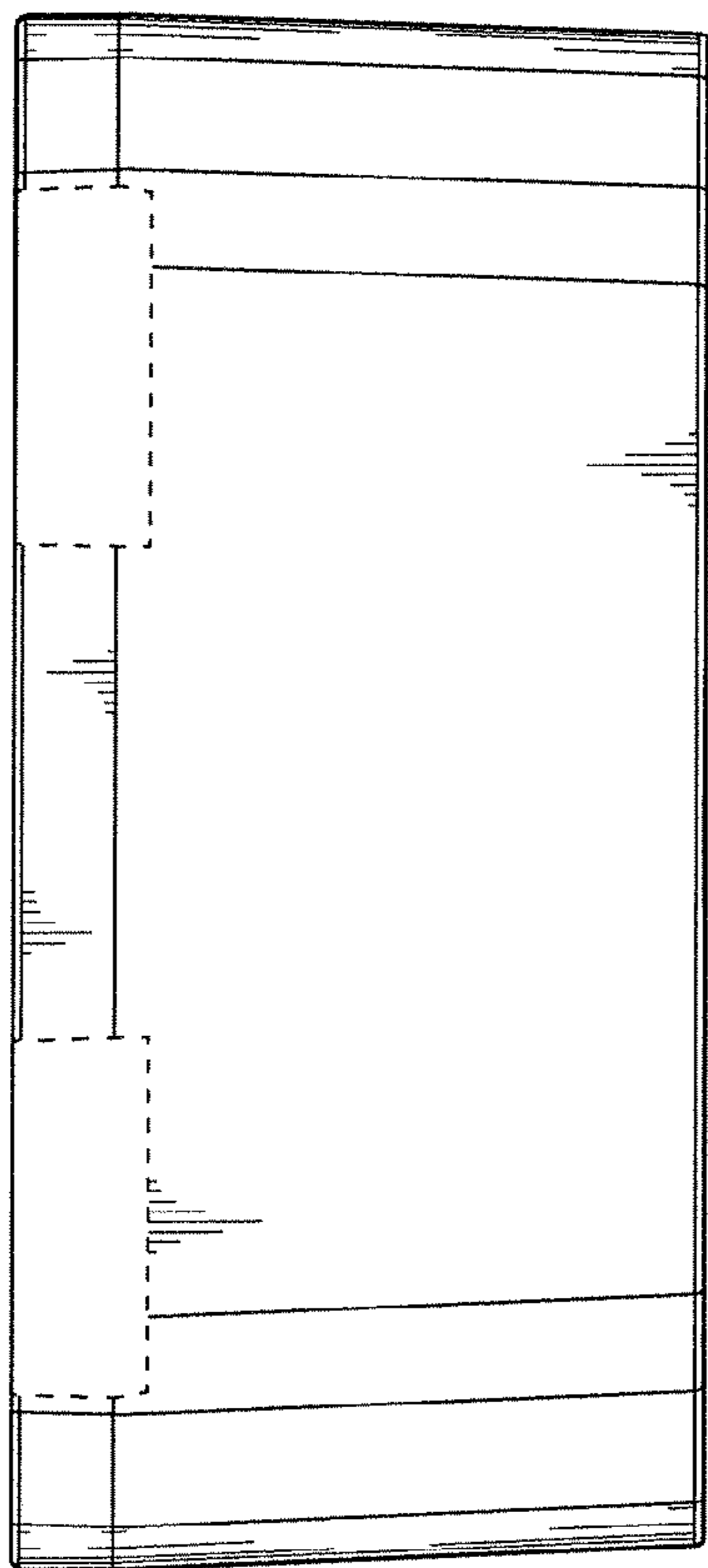


FIG. 6

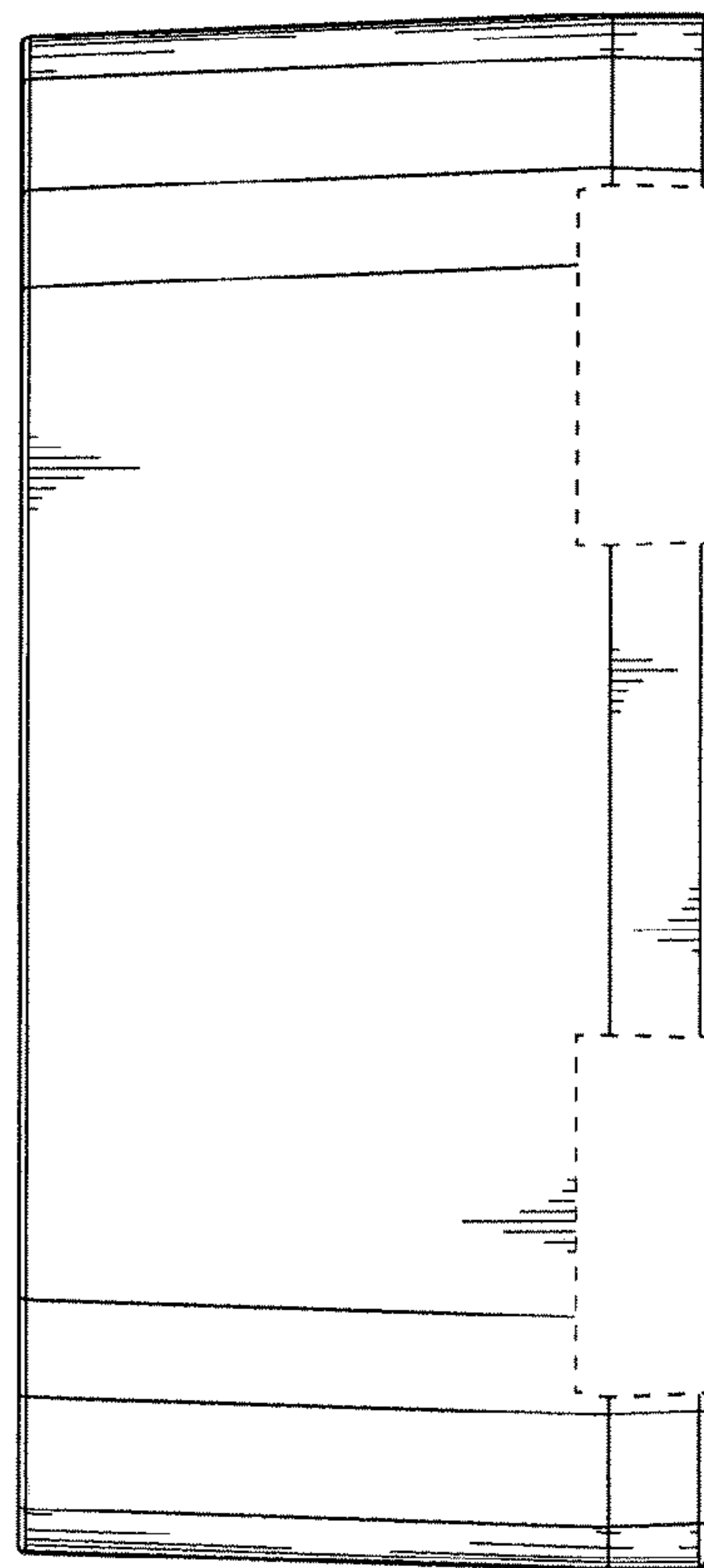


FIG. 7