



US00D722295S

(12) **United States Design Patent**
Miyazaki

(10) **Patent No.:** **US D722,295 S**
(45) **Date of Patent:** **** Feb. 10, 2015**

(54) **CONNECTOR**

(71) Applicant: **Panasonic Corporation**, Kadoma-shi,
Osaka (JP)

(72) Inventor: **Yoji Miyazaki**, Ise (JP)

(73) Assignee: **Panasonic Intellectual Property**
Management Co., Ltd., Osaka (JP)

(**) Term: **14 Years**

(21) Appl. No.: **29/489,701**

(22) Filed: **May 2, 2014**

(30) **Foreign Application Priority Data**

Nov. 8, 2013 (KR) 2013-0056367

(51) **LOC (10) Cl.** **13-03**

(52) **U.S. Cl.**
USPC **D13/147**

(58) **Field of Classification Search**
USPC D13/147, 154, 184, 199
See application file for complete search history.

(56) **References Cited**

U.S. PATENT DOCUMENTS

- D604,250 S * 11/2009 Obikane et al. D13/147
- D641,705 S * 7/2011 Sato et al. D13/147
- D642,531 S * 8/2011 Nishimura et al. D13/147
- D643,369 S * 8/2011 Sato et al. D13/147
- D681,557 S * 5/2013 Miyazaki et al. D13/147

- D684,541 S * 6/2013 Miyazaki et al. D13/147
- D684,932 S * 6/2013 Nishimura et al. D13/147
- D695,692 S * 12/2013 Takenaga et al. D13/147
- D696,200 S * 12/2013 Kobuchi et al. D13/147

* cited by examiner

Primary Examiner — Daniel Bui

(74) *Attorney, Agent, or Firm* — Marvin A. Motsenbocker;
Mots Law, PLLC

(57) **CLAIM**

The ornamental design for a connector, as shown and described.

DESCRIPTION

FIG. 1 is top perspective view of a connector showing my new design;

FIG. 2 is a front elevation view thereof;

FIG. 3 is a rear elevation view thereof;

FIG. 4 is a left side elevation view thereof;

FIG. 5 is a right side elevation view thereof;

FIG. 6 is a top plan view thereof;

FIG. 7 is a bottom plan view thereof;

FIG. 8 is a bottom perspective view thereof;

FIG. 9 is a cross-sectional view thereof taken along line 9-9 in FIG. 6,

FIG. 10 is a cross-sectional view thereof taken along line 10-10 in FIG. 6; and,

FIG. 11 is a cross-sectional view thereof taken along line 11-11 in FIG. 6.

The broken line in the figure drawings is included for the purpose of illustrating environment and forms no part of the claimed design.

1 Claim, 11 Drawing Sheets

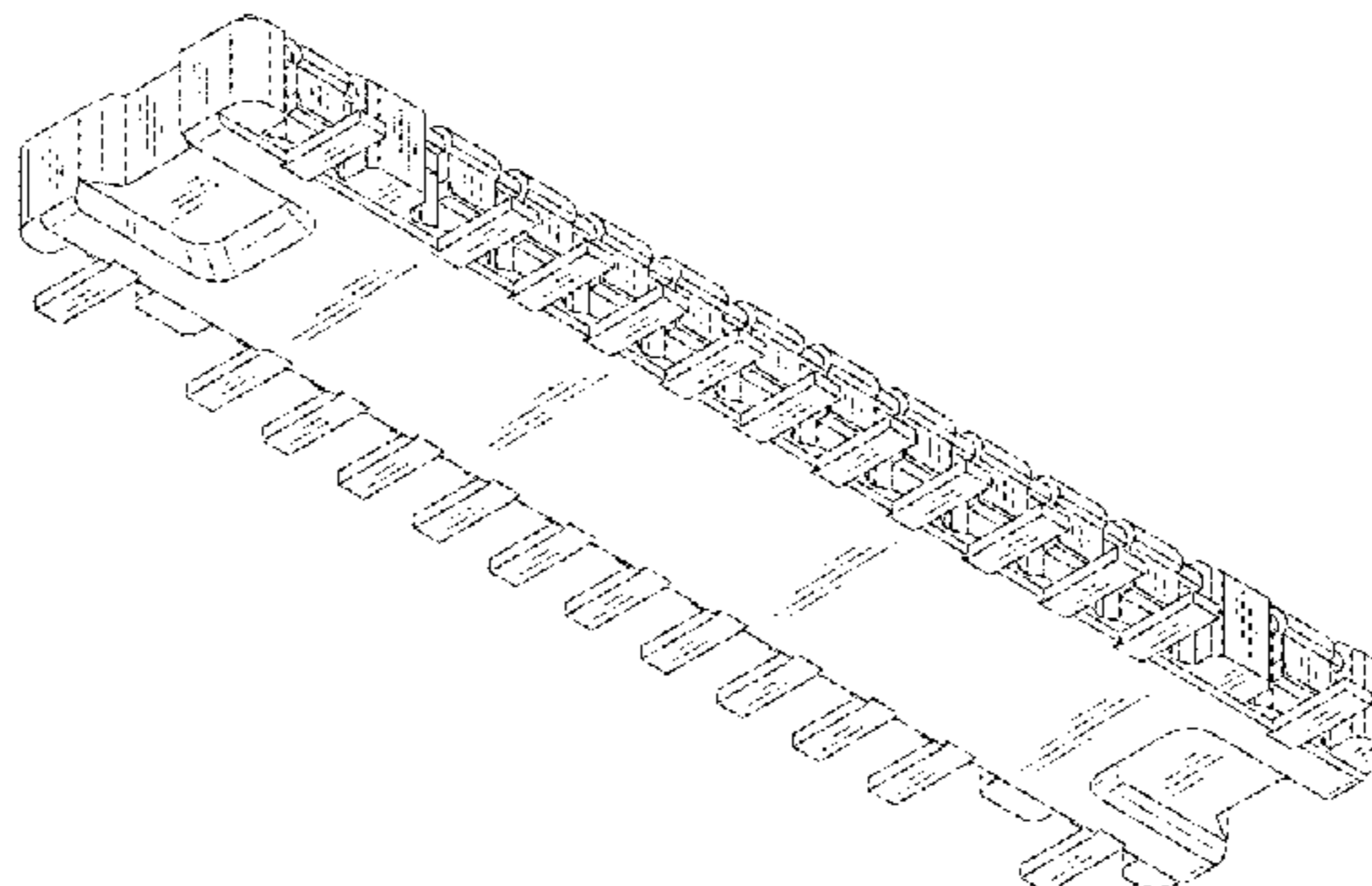
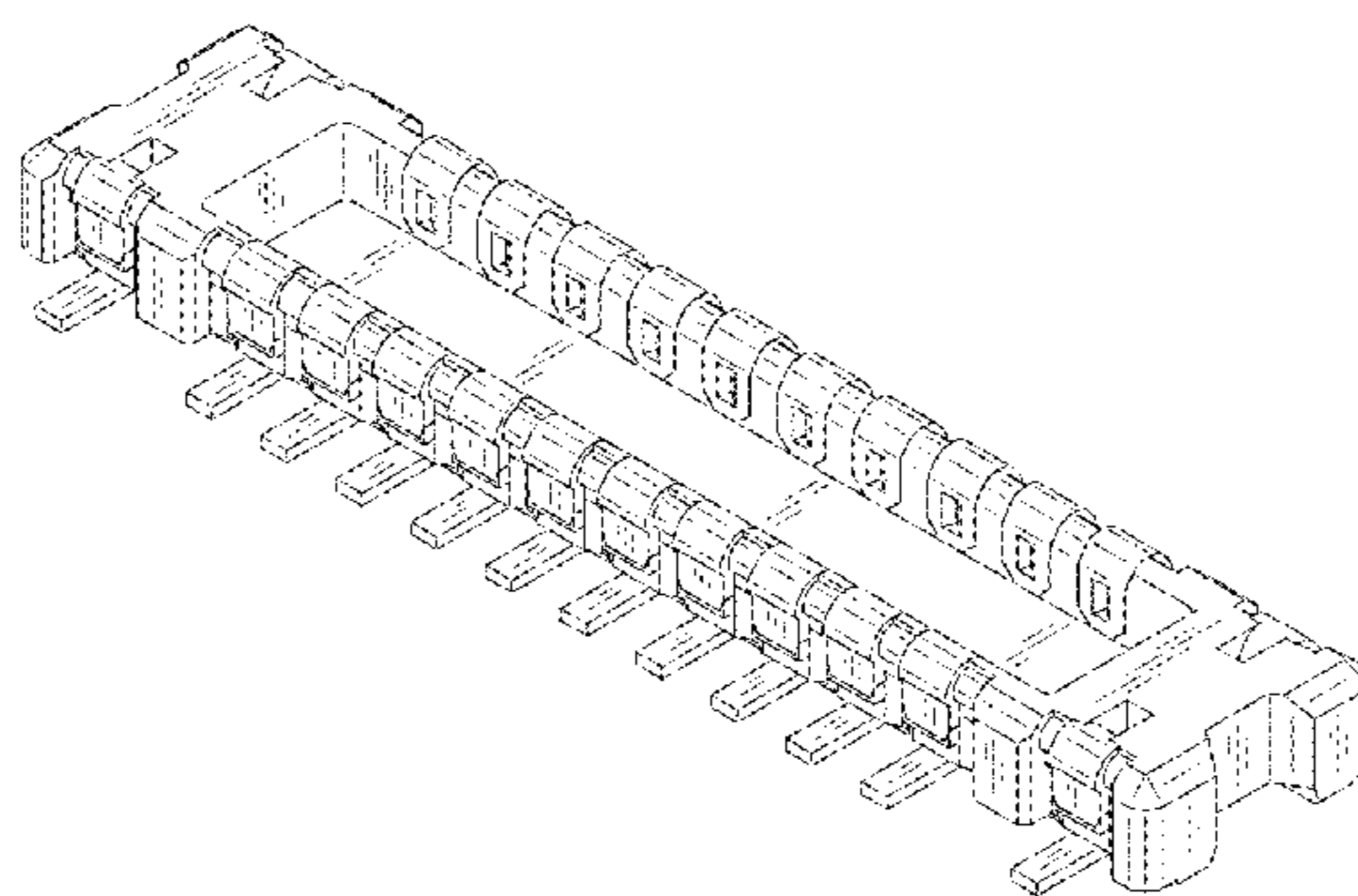


Fig. 1

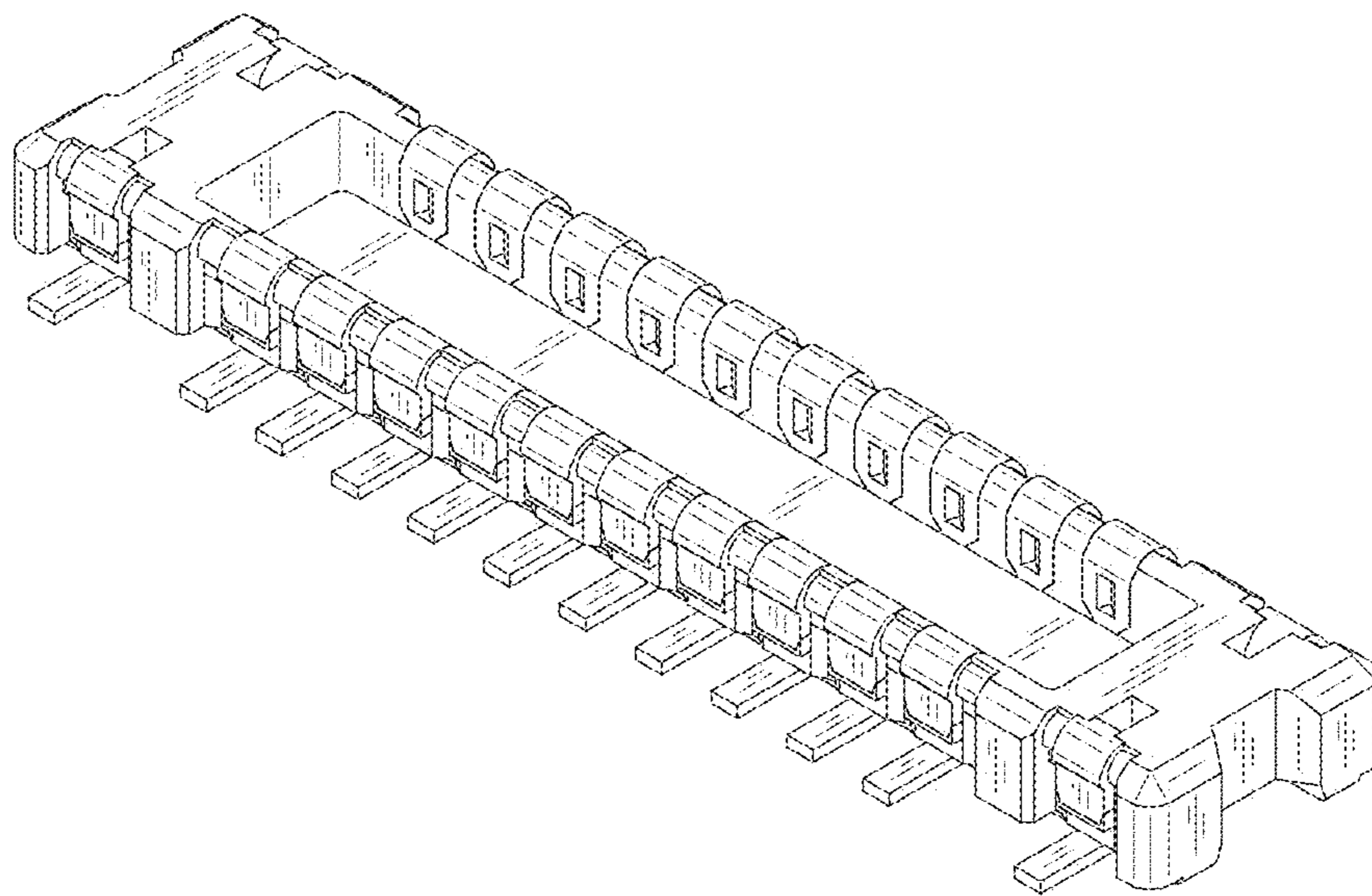


Fig.2



Fig.3

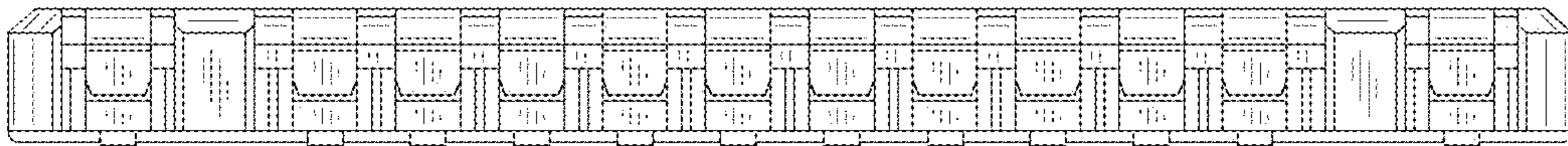


Fig.4

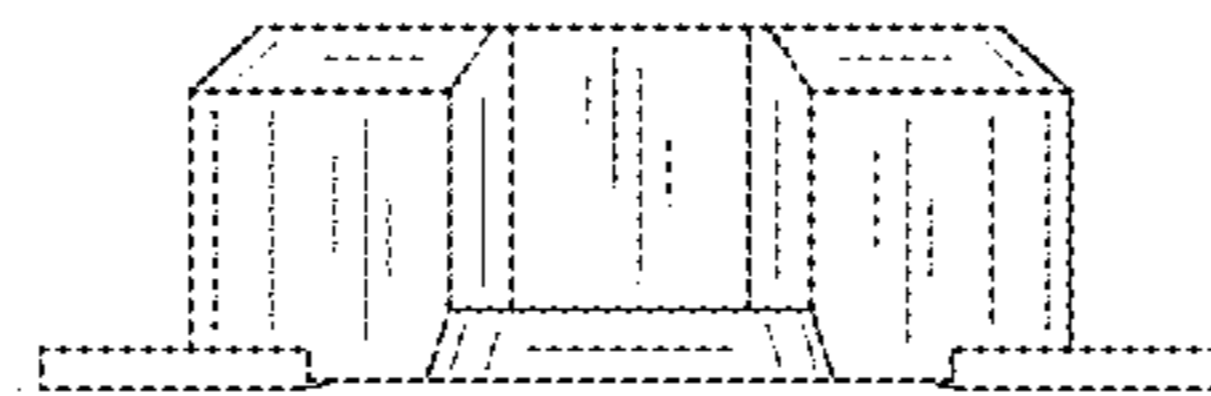


Fig.5

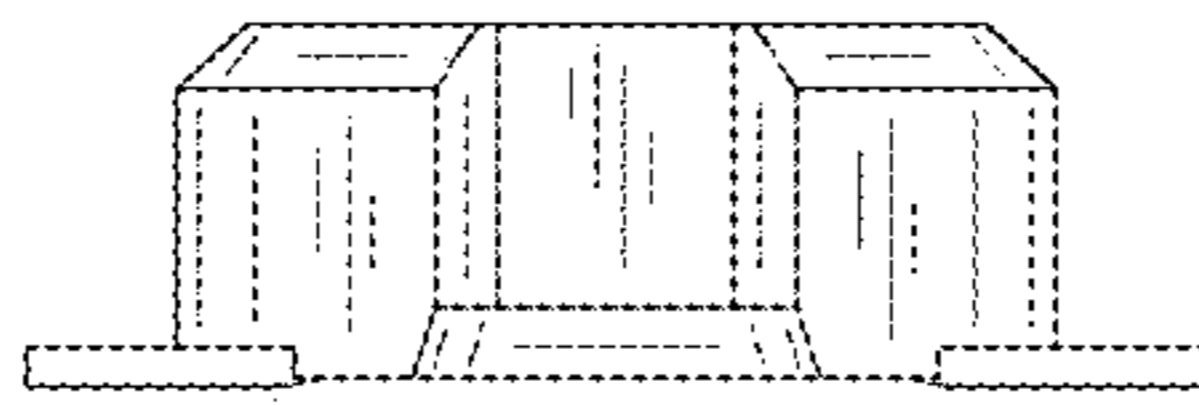


Fig.6

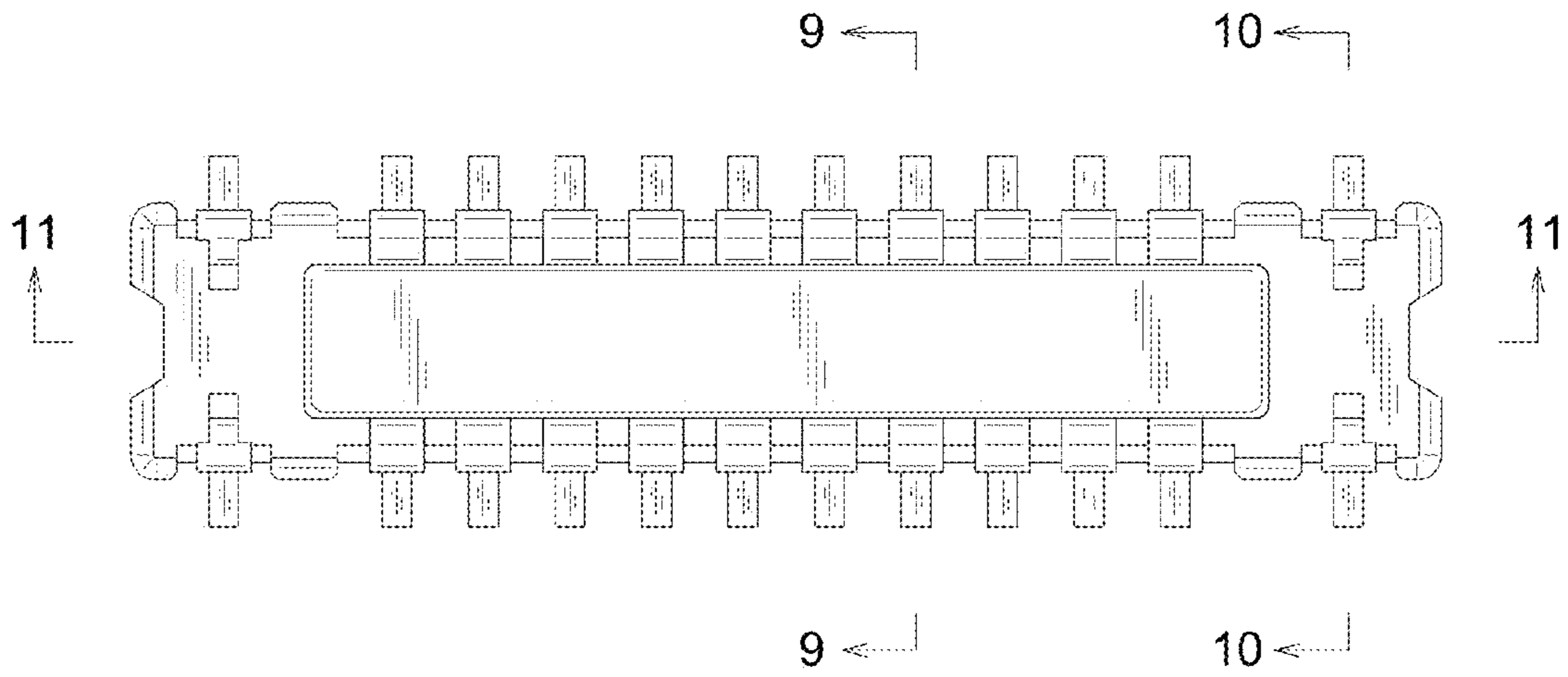


Fig.7

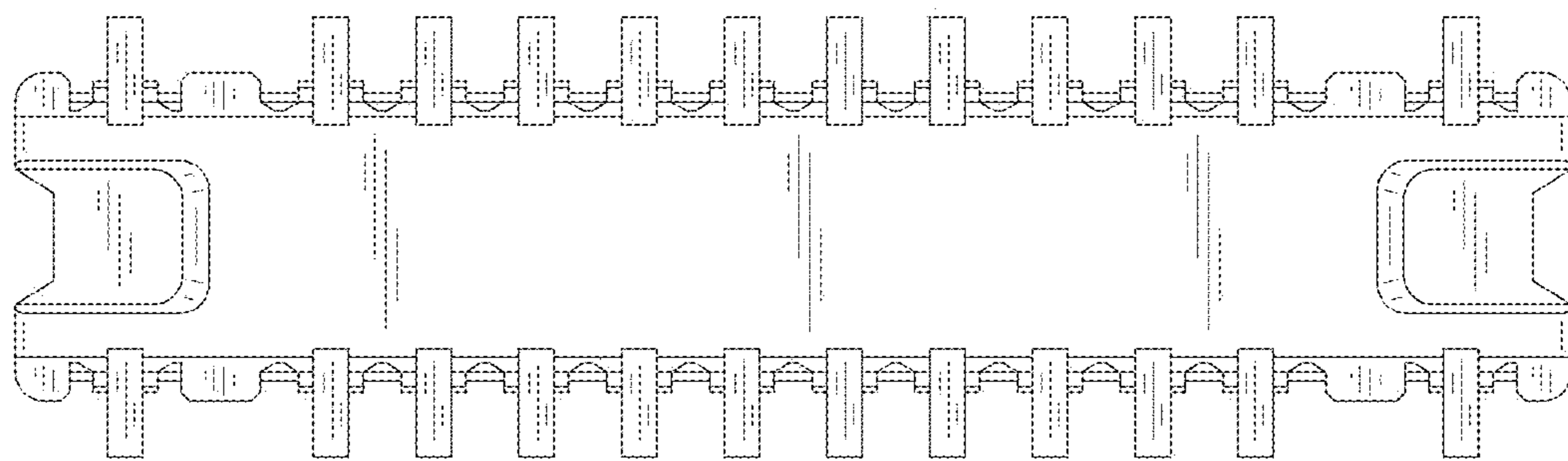


Fig.8

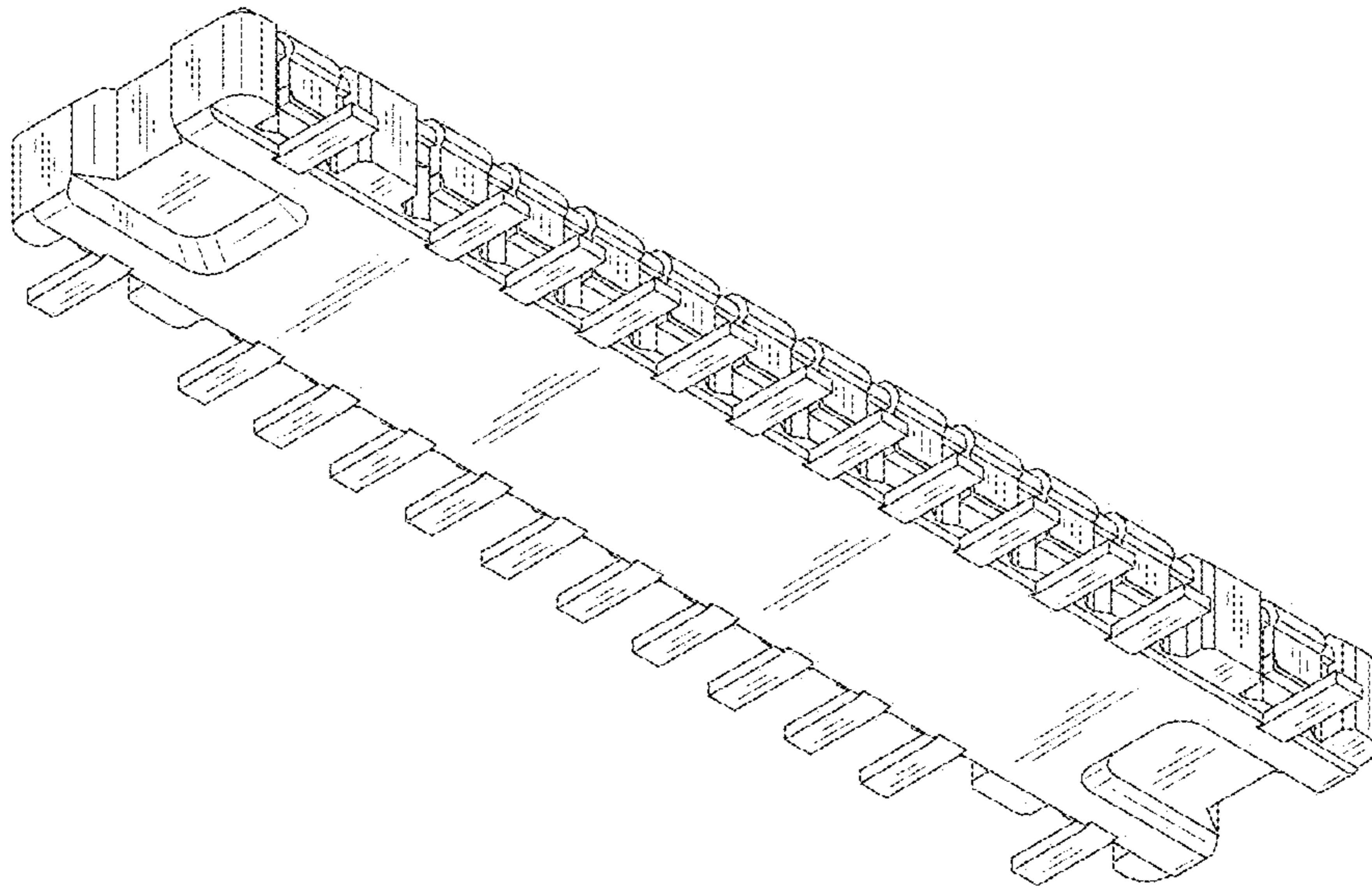


Fig.9

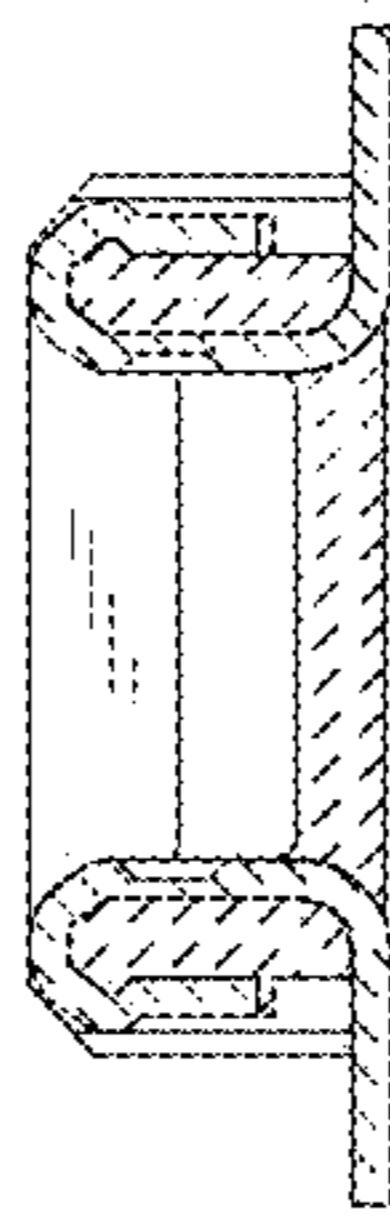


Fig.10

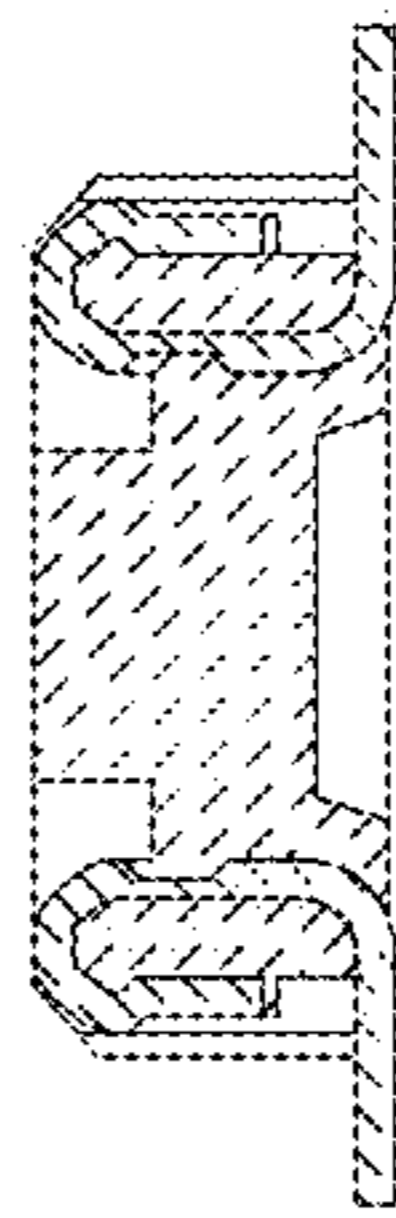


Fig.11

